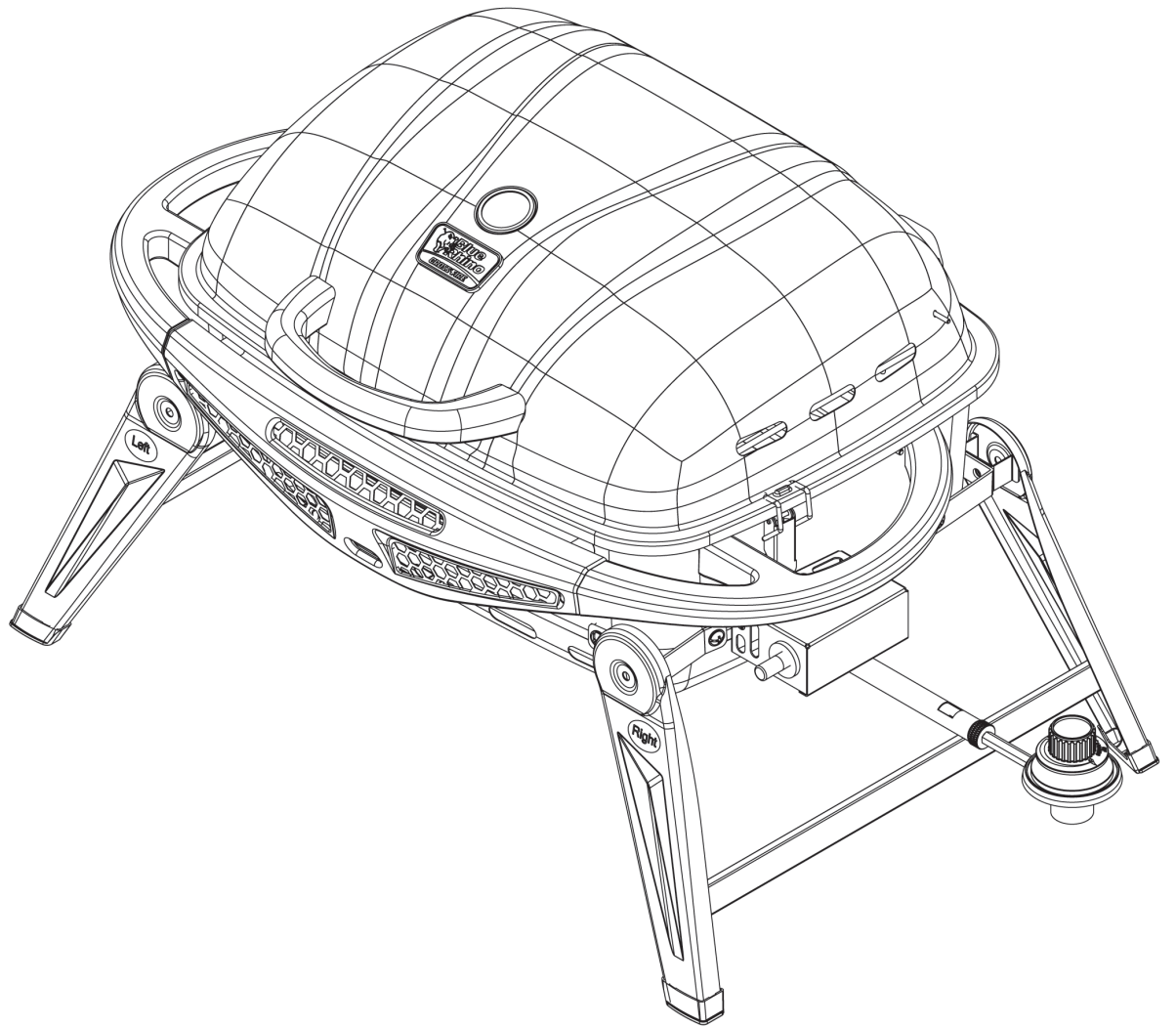




# OWNER'S MANUAL

## Outdoor LP Gas / Charcoal Barbecue Grill

Model No. GBT1709LR



**WARNING**  
FOR YOUR SAFETY:

**For Outdoor Use Only**  
(outside any enclosure)

**WARNING**  
FOR YOUR SAFETY:

1. Improper installation, adjustment, alteration, service or maintenance can cause injury or property damage.
2. Read the installation, operation, and maintenance instructions thoroughly before installing or servicing this equipment.
3. Failure to follow these instructions could result in fire or explosion, which could cause property damage, personal injury, or death.
4. This instruction manual contains important information necessary for the proper assembly and safe use of the appliance.
5. Read and follow all warnings and instructions before assembling and using the appliance.
6. Follow all warnings and instructions when using the appliance.
7. Keep this manual for future reference.

**DANGER**

**If you smell gas -**

1. Shut off gas to appliance.
2. Extinguish any open flame.
3. Open lid.
4. If odor continues, keep away from the appliance and immediately call your fire department.

Failure to follow these instructions could result in fire or explosion which could cause property damage, personal injury or death.

**WARNING**  
FOR YOUR SAFETY:

1. Do NOT store or use gasoline or other flammable liquids or vapors in the vicinity of this or any other appliance.
2. An LP cylinder not connected for use shall not be stored in the vicinity of this or any other appliance.

**DANGER**

**Never operate this appliance unattended.**

### Table of Contents

Important Safeguards .....	Page 2
Expanded View & Hardware .....	5
Assembly Instructions .....	6
Installing LP Gas Tank .....	9
Operating Instructions .....	9
Cleaning and Care .....	10
Product Registration .....	11
Replacement Parts .....	11
Limited Warranty .....	11
Troubleshooting .....	12

The use and installation must conform with local codes or, in the absence of local codes, with either the *National Fuel Gas Code, ANSI Z223.1/NFPA 54, Storage and Handling of Liquefied Petroleum Gases, ANSI/NFPA 58, Natural Gas and Propane Installation Code, CSA B149.1, or Propane Storage and Handling Code, B149.2, or the Standard for Recreational Vehicles, ANSI A 119.2/NFPA 1192, and CSA Z240 RV Series, as applicable.*

THIS INSTRUCTION BOOKLET CONTAINS IMPORTANT SAFETY INFORMATION. PLEASE READ AND KEEP FOR FUTURE REFERENCE.

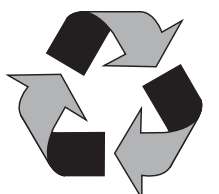
If you are assembling this unit for someone else, give this manual to them to read and save for future reference.

**WARNING:** This product can expose you to chemicals, including carbon monoxide and soot which are known to the State of California to cause cancer, birth defects, and other reproductive harm. For more information go to [www.P65Warnings.ca.gov](http://www.P65Warnings.ca.gov).



Manufactured in China for: RevoAce Inc. Limited  
Hong Kong, China • 1.800.694.0013 • [service@revoace.com](mailto:service@revoace.com)  
© RevoAce Inc. Limited

Blue Rhino® is a registered trademark of Blue Rhino Global Sourcing, Inc. Used with permission.  
CrossFire™ is a trademark of Blue Rhino Global Sourcing, Inc. Used with permission.



Made from 75% Bagasse  
(environmentally friendly sugar  
cane pulp by-product)



## Important Safeguards - LP Gas

- ▲ **DANGER:** Failure to follow the dangers, warnings and cautions in this manual may result in serious bodily injury or death, or in a fire or an explosion causing damage to property.
- 
- ▲ **WARNINGS:**
  - ▲ This grill is for outdoor use only, and should not be used in a building, garage or any other enclosed area.
  - ▲ Do NOT operate, light or use this appliance within ten feet (3.05 m) of walls, structures or buildings.
  - ▲ For residential use only. This grill is NOT for commercial use.
  - ▲ This grill is not intended for and should never be used as a heater. TOXIC fumes can accumulate and cause asphyxiation.
  - ▲ This is NOT a tabletop grill. Therefore, do NOT operate this grill on any type of tabletop surface.
  - ▲ This grill is safety certified for use in the United States and/or Canada only. Do NOT modify for use in any other location. Modification will result in a safety hazard and will void your warranty.
  - ▲ This grill is for use with liquid propane (LP) gas only. The conversion to or attempted use of natural gas in this LP gas grill is dangerous, may cause bodily harm and will void your warranty.
  - ▲ Do NOT over heat this grill as this will damage the grill and could cause a fire or an explosion which can cause death, serious bodily injury or damage to property.
  - ▲ LP gas characteristics:
    - a. LP gas is flammable and hazardous if handled improperly. Become aware of the characteristics before using any LP gas product.
    - b. LP gas is explosive under pressure, heavier than air, and settles and pools in low areas.
    - c. LP gas in its natural state has no odor. For your safety, an odorant is added that smells like rotten cabbage.
    - d. Contact with LP gas can cause freeze burns to skin.
  - ▲ Apartment dwellers: Check with management to learn the requirements and fire codes for using a LP gas grill in your apartment complex. If allowed, use outside on the ground floor with a ten foot (3.05 m) clearance from any structure. Do NOT use on or under balconies.
  - ▲ LP gas cylinder needed to operate. Only cylinders marked "propane" may be used.
  - ▲ The LP gas cylinder must be constructed and marked in accordance with the *Specifications for LP-gas Cylinders* of the U.S. Department of Transportation (D.O.T.), *Cylinders, Spheres and Tubes for the Transportation of Dangerous Goods*; or the National Standard of Canada, *CAN/CSA-B339*.
  - ▲ LP gas cylinder must be arranged for vapor withdrawal.
  - ▲ Dented or rusted LP gas cylinders may be hazardous and should be checked by your LP gas supplier prior to use.
  - ▲ The LP gas cylinder should not be dropped or handled roughly.
  - ▲ LP gas cylinders must be stored outdoors out of the reach of children and must not be stored in a building, garage or any other enclosed area. Your cylinder must never be stored where temperatures can reach over 125°F.
  - ▲ Do NOT insert any tool or foreign object into the valve outlet or safety relief valve. You may damage the valve and cause a leak. Leaking propane may result in an explosion, fire, severe personal injury or death.
  - ▲ Do NOT block holes in sides, bottom or back of grill.
  - ▲ Never keep an LP gas cylinder in a hot car or trunk. Heat will cause the gas pressure to increase, which may open the relief valve and allow gas to escape.
  - ▲ Do NOT store a spare LP gas tank under or within 25 feet (7.62 m) of this appliance.
  - ▲ Never attempt to attach this grill to the self-contained LP gas system of a camper trailer, motor home or house.
  - ▲ The use of alcohol, prescription or non-prescription drugs may impair the consumer's ability to properly assemble or safely operate the appliance.
  - ▲ Strong odors, colds, sinus congestion, etc. may prevent the detection of propane. Use caution and common sense when testing for leaks.
  - ▲ NEVER use lighter fluid, lava rocks, gasoline, kerosene or alcohol with this product.
  - ▲ NEVER use charcoal when using as a LP gas grill.
  - ▲ Your grill has been checked at all factory connections for leaks. Recheck all connections as described in the "Operating Instructions" section of the manual, as shipping can loosen connections.
  - ▲ Check for leaks even if your unit was assembled for you by someone else.
  - ▲ Do NOT operate if a gas leak is present. Gas leaks may cause a fire or explosion.
  - ▲ You must follow all instructions in the "Checking for Leaks" section before operating. To prevent a fire or explosion hazard when testing for a leak:
    - a. Always perform a leak test before lighting the grill and each time the cylinder is connected for use.
    - b. No smoking. Do NOT use or permit sources of ignition in the area while conducting a leak test.
    - c. Conduct the leak test outdoors in a well-ventilated area.
    - d. Do NOT use matches, lighters, or a flame to check for leaks.
    - e. The use of alcohol, prescription or non-prescription drugs may impair the consumer's ability to properly assemble or safely operate the appliance.
    - f. Strong odors, colds, sinus congestion, etc. may prevent the detection of propane. Use caution and common sense when testing for leaks.
    - g. Do NOT use grill until any and all leaks are corrected. If you are unable to stop a leak, disconnect the LP gas supply. Call a gas appliance serviceman or your local LP gas supplier.
  - ▲ Do NOT store or use gasoline or other flammable liquids or vapors within 25 feet (7.62 m) of this appliance.
  - ▲ Do NOT use in an explosive atmosphere. Keep grill area clear and free from combustible materials, gasoline and other flammable vapors and liquids.
  - ▲ Minimum clearance from sides and back of unit to combustible construction is 36 inches (91.4 cm). Do NOT use this appliance under any type of overhang or roof.
  - ▲ It is essential to keep the grill's regulator and valve assembly, burners and circulating air passages clean.
  - ▲ Inspect grill before each use.
  - ▲ Do NOT alter grill in any manner. Any alteration will void your warranty.
  - ▲ Do NOT use the grill unless it is COMPLETELY assembled and all parts are securely fastened and tightened.
  - ▲ This grill should be thoroughly cleaned and inspected on a regular basis.
  - ▲ Clean and inspect the hose before each use of the appliance. If there is evidence of abrasion, wear, cuts or leaks, the hose must be replaced prior to operation.
  - ▲ Use only the pressure regulator provided. Use only the replacement pressure regulator specified by RevoAce Inc. Limited
  - ▲ Do NOT attempt to repair or alter the pressure regulator for any assumed defect. Any modification to this assembly will void your warranty and create the risk of a gas leak and fire. Use only authorized replacement parts supplied by manufacturer.
  - ▲ Use only RevoAce Inc. Limited factory-authorized parts. The use of any part that is not factory-authorized can be dangerous and will void your warranty.
  - ▲ Do NOT operate this appliance without reading "Operating Instructions" in this manual.
  - ▲ Do NOT touch metal parts of grill until they have completely cooled to avoid burns, unless you are wearing protective gear (pot holders, gloves, BBQ mitts, etc.).
  - ▲ Do NOT install or use in or on boats or recreational vehicles (RV).
  - ▲ Do NOT use grill in a vehicle trunk, station wagon, mini-van or sport utility vehicle (SUV).

- ⚠ **When cooking, fire extinguishing materials should be readily accessible. In the event of an oil/grease fire, do NOT attempt to extinguish with water. Use type BC or ABC dry chemical fire extinguisher or smother with dirt, sand or baking soda.**
- ⚠ **Move gas hoses as far away as possible from hot surfaces and dripping hot grease.**
- ⚠ **Do NOT use grill in high winds.**
- ⚠ **Never lean over the grill when lighting.**
- ⚠ **Do NOT leave a lit grill unattended. Keep children and pets away from grill at all times.**
- ⚠ **Do NOT leave grill unattended while preheating or burning off food residue on high. If grill has not been cleaned, a grease fire can occur that may damage the product.**
- ⚠ **Do NOT place empty cooking vessels on the appliance while in operation.**
- ⚠ **Use caution when placing anything on the grill while the appliance is in operation.**
- ⚠ **Do NOT attempt to move grill when in use. Allow the grill to cool before moving or storing.**
- ⚠ **LP gas cylinder must be properly disconnected and removed prior to moving this grill.**
- ⚠ **Storage of grill indoors is permissible only if the cylinder is disconnected, removed from the grill and properly stored outdoors.**
- ⚠ **Always open grill lid carefully and slowly as heat and steam trapped within grill can cause severe burns.**
- ⚠ **Do NOT attempt to disconnect the gas regulator from the cylinder or any gas fitting while the grill is in use.**
- ⚠ **Disconnect LP gas tank when not in use.**
- ⚠ **Always place your grill on a hard, non-combustible, level surface. An asphalt or blacktop surface may not be acceptable for this purpose.**
- ⚠ **Do NOT use directly on wooden decks.**
- ⚠ **Keep all electrical cords away from a hot grill.**
- ⚠ **After a period of storage and/or non-use, check for leaks, burner obstructions and inspect for any abrasion, wear or cuts to the hose.**
- ⚠ **Failure to open lid while igniting the grill's burner(s), or not waiting five minutes to allow the gas to clear if the grill does not light, may result in an explosive flame-up.**
- ⚠ **Never operate grill without its heat plate installed.**
- ⚠ **Always use a meat thermometer to ensure food is cooked to a safe temperature.**
- ⚠ **Use protective gloves when assembling this product.**
- ⚠ **Do NOT force parts together as this can result in personal injury or damage to the product.**
- ⚠ **Never cover entire cooking area with aluminum foil.**
- ⚠ **Always clean grill when switching from a charcoal grill to a gas grill.**
- ⚠ **NEVER use as an LP gas grill and charcoal grill at the same time.**
- ⚠ **Deaths, serious injury or damage to property may occur if the above is not followed exactly.**





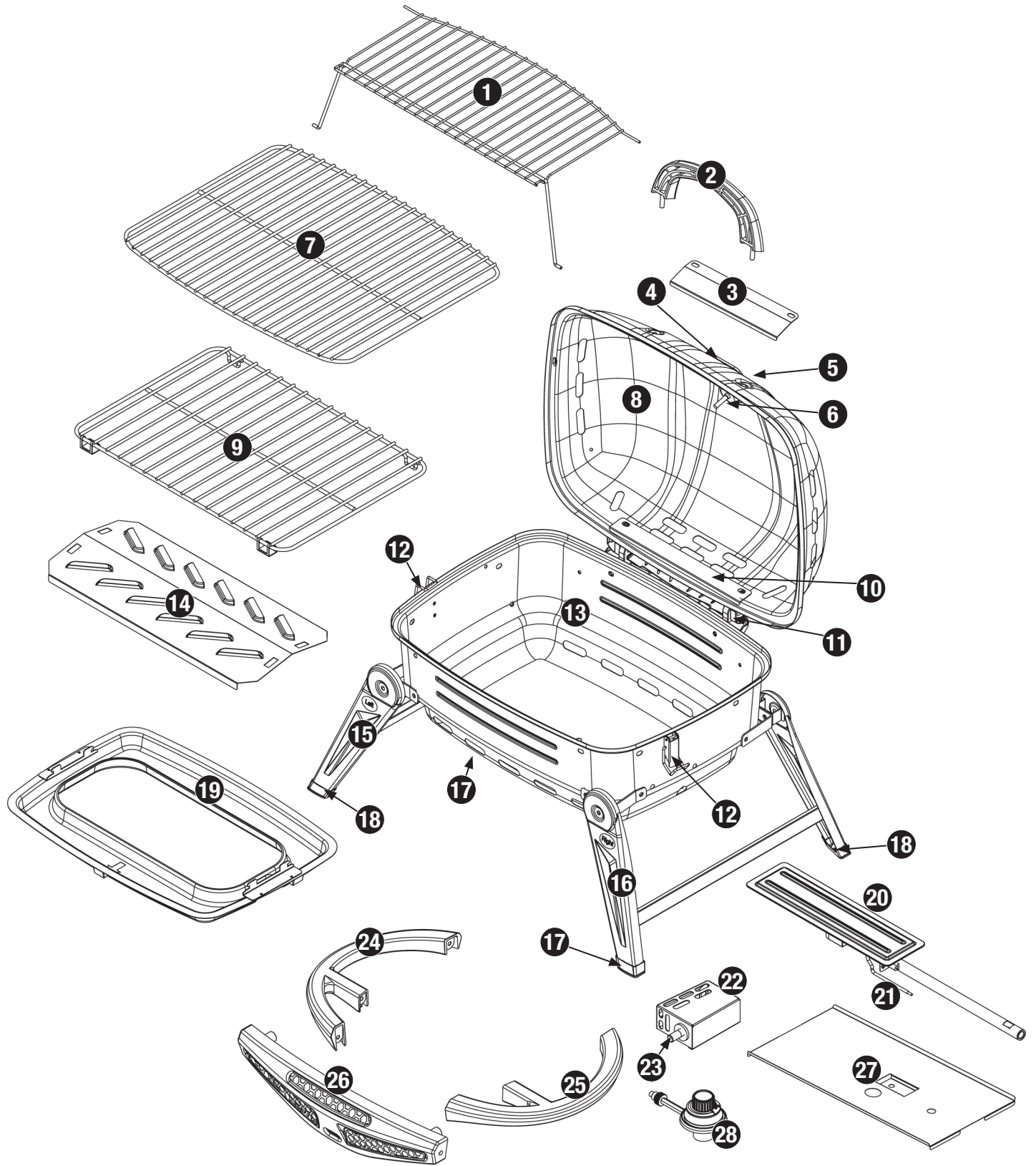
## Important Safeguards - Charcoal

- ▲ DANGER:** Failure to follow the dangers, warnings and cautions in this manual may result in serious bodily injury or death, or in a fire or an explosion causing damage to property.
- ▲ WARNINGS:**
- ▲ This grill is for outdoor use only, and should NOT be used in a building, garage or any other enclosed area.
  - ▲ Do NOT operate, light or use this appliance within ten feet (3.05 m) of walls, structures or buildings.
  - ▲ For residential use only. This grill is NOT for commercial use.
  - ▲ Never use charcoal that has been pre-treated with lighter fluid. Use only a high grade plain charcoal, charcoal/wood mixture, lump charcoal or cooking wood. The conversion to or attempted use of any other fuel source in this charcoal grill is dangerous and will void your warranty.
  - ▲ This grill is NOT intended for and should never be used as a heater. TOXIC fumes can accumulate and cause asphyxiation.
  - ▲ Do NOT use grill for indoor cooking. TOXIC carbon monoxide fumes can accumulate and cause asphyxiation.
  - ▲ This grill is safety certified for use in the United States and/or Canada only. Do NOT modify for use in any other location. Modification will result in a safety hazard and will void your warranty.
  - ▲ Apartment dwellers: Check with management to learn the requirements and fire codes for using a charcoal grill in your apartment complex. If allowed, use outside on the ground floor with a ten foot (3.05 m) clearance from any structure. Do NOT use on or under balconies.
  - ▲ Minimum clearance from sides and back of unit to combustible construction is 36 inches (91.4 cm). Do NOT use this appliance under any type of overhang or roof.
  - ▲ Do NOT use gasoline, kerosene or alcohol for lighting.
  - ▲ Do NOT use in an explosive atmosphere. Keep grill area clear and free from combustible materials, gasoline and other flammable vapors and liquids.
  - ▲ Do NOT over heat this grill as this will damage the grill and could cause a fire or an explosion which can cause death, serious bodily injury or damage to property.
  - ▲ Never use lava rocks, gasoline, kerosene or alcohol with this product.
  - ▲ Do NOT store or use gasoline or other flammable liquids or vapors within 25 feet (7.62 m) of this appliance.
  - ▲ NEVER use the gas grill to start the charcoal.
  - ▲ NEVER use the ignition to start the charcoal.
  - ▲ Always disconnect and properly store the LP gas tank prior to using as a charcoal grill.
  - ▲ Do NOT block holes in sides or back of grill.
  - ▲ Inspect grill before each use.
  - ▲ Do NOT alter grill in any manner. Any alteration will void your warranty.
  - ▲ Do NOT build this model of grill in any built-in or slide-in construction. Ignoring this warning could cause a fire or an explosion that can damage property and cause serious bodily injury or death.
  - ▲ Do NOT use the grill unless it is COMPLETELY assembled and all parts are securely fastened and tightened.
  - ▲ This grill should be thoroughly cleaned and inspected on a regular basis.
  - ▲ Use only RevoAce Inc. Limited factory-authorized parts. The use of any part that is not factory-authorized can be dangerous and will void your warranty.
  - ▲ Do NOT operate this appliance without reading "Operating Instructions" in this manual.
  - ▲ To avoid burns, do NOT touch metal parts of grill until they have completely cooled, unless you are wearing protective gear (pot holders, gloves, BBQ mittens, etc.).
  - ▲ Never touch grids (charcoal, cooking or warming), ashes or coals to see if they are hot.
  - ▲ Do NOT use on wooden decks, wooden furniture or other combustible surfaces.
  - ▲ This grill is NOT to be used in or on boats or recreational vehicles.
  - ▲ Position grill so wind cannot carry ashes to combustible surfaces.
  - ▲ Do NOT use in high winds.
  - ▲ Never lean over the grill when lighting.
  - ▲ Do NOT leave a lit grill unattended. Keep children and pets away from grill at all times.
  - ▲ Do NOT attempt to move grill when in use. Allow the grill to cool before moving or storing.
  - ▲ Do NOT leave grill unattended while preheating or burning off food residue.
  - ▲ When cooking, fire extinguishing materials should be readily accessible. In the event of an oil/grease fire, do NOT attempt to extinguish with water. Use type BC dry chemical fire extinguisher or smother with dirt, sand or baking soda.
  - ▲ Always open grill lid carefully and slowly as heat and steam trapped within grill can severely burn you.
  - ▲ If grill has not been cleaned, a grease fire can occur that may damage the product.
  - ▲ Do NOT place empty cooking vessels on the appliance while in operation.
  - ▲ Use caution when placing anything on the grill while the appliance is in operation.
  - ▲ Never add lighting fluid to hot or warm coals as a flashback may occur causing serious injury or damage to property.
  - ▲ Always place your grill on a hard, non-combustible level surface. An asphalt or blacktop surface may not be acceptable for this purpose.
  - ▲ Do NOT remove the ashes until they are completely and fully extinguished.
  - ▲ Live hot briquettes and coals can create a fire hazard.
  - ▲ Always empty the bottom bowl and grill after each use.
  - ▲ Do NOT place fuel (charcoal briquettes, wood or lump charcoal) directly into bottom of grill. Place fuel only on the charcoal pan/grid.
  - ▲ Do NOT allow charcoal to rest on the walls of grill. Doing so will greatly reduce the life of the metal and finish of your grill.
  - ▲ Check to make sure the air vents are free of debris and ash before using the grill.
  - ▲ Extinguished coals and ashes should be placed a safe distance from all structures and combustible materials.
  - ▲ With a garden hose, completely wet the surface beneath and around grill to extinguish any ashes, coals or embers that may have fallen during the cooking or cleaning process.
  - ▲ The use of alcohol, prescription or non-prescription drugs may impair the consumer's ability to properly assemble and/or safely operate this grill.
  - ▲ Always wear protective gloves when adding fuel (charcoal briquettes, wood or lump charcoal) to retain desired heat level.
  - ▲ Keep all electrical cords away from a hot grill.
  - ▲ Always use a meat thermometer to ensure food is cooked to a safe temperature.
  - ▲ Never cover entire cooking area with aluminum foil.
  - ▲ Use protective gloves when assembling this product.
  - ▲ Do NOT force parts together as this can result in personal injury or damage to the product.
  - ▲ Do NOT touch ash receiver until grill has completely cooled, unless you are wearing protective gear.
  - ▲ Do NOT touch air vent or air vent handle until grill has completely cooled, unless you are wearing protective gear.
  - ▲ Deaths, serious injury or damage to property may occur if the above is not followed exactly.

Parts List		
1	Warming Rack	G1724-010
2	Lid Handle	G1724-020
3	Cooking Grid Locking Support A	G1724-030
4	Brand Plate*	G1724-040
5	Temperature Gauge*	B0104-F06
6	Temperature Gauge Support*	G1724-050
7	Cooking Grid	G1724-060
8	Lid*	G1724-070
9	Charcoal Grid	G1724-080
10	Cooking Grid Locking Support B*	G1724-090
11	Hinge Assembly*	G1724-100
12	Lock (2)*	B0107-H08
13	Bottom Bowl*	G1724-110
14	Heat Plate	G1724-120
15	Left Leg*	G1724-130
16	Right Leg*	G1724-140
17	Foot A (2)*	G1724-150
18	Foot B (2)*	G1724-160
19	Ash Pan	G1724-170
20	Burner	G1724-180
21	Igniter Wire*	G1724-190
22	Igniter Cover	G1724-200
23	Igniter*	B0217-H08
24	Left Side Handle	G1724-210
25	Right Side Handle	G1724-220
26	Front Handle Support	G1724-230
27	Heat Shield	G1724-240
28	Regulator/Control Knob	B0308-C03

\* Pre-assembled

### Expanded View



Hardware			
A	Screw	M6x12 Nickel Plated Phillips Truss Head	4 pcs
B	Screw	M6x15 Nickel Plated Phillips Truss Head	4 pcs
C	Screw	M6x40 Nickel Plated Phillips Truss Head	2 pcs
D	Wing Bolt	M6x12 Nickel Plated	1 pc
E	Wing Nut	M6 Nickel Plated	2 pcs
F	Washer	ø6.4 Nickel Plated	13 pcs
G	Lock Washer	ø6.5 Nickel Plated	13 pcs

Tools Required for Assembly (Not Included)	
#2 Phillips Head Screwdriver	1 pc
Needle Nose Pliers	1 pc





## Assembly Instructions

# 1

### DO NOT RETURN TO PLACE OF PURCHASE.

For assistance, call **1.800.694.0013** toll-free. Please have your owner's manual and model number available for reference.

Note: The model number can be found on the back of the grill.

#### Assembly Tips:

1. Select an area where you will assemble this product. To protect components, choose a smooth surface that's free of cracks or openings.
2. Spread out all parts.
3. Tighten all hardware connections by hand first. Then, before completing each step, go back and fully tighten all hardware. Be careful not to over-tighten. That could damage surfaces or strip threads.
4. For best results, complete each step in the order presented.

#### After assembly you will need:

- (1) Leak Detection Solution (instructions on how to make solution are included in "Operating Instructions" section).
- (1) 14.1 oz or (1) 16.4 oz LP gas tank (not included).
- (1) One bag of charcoal (not included)

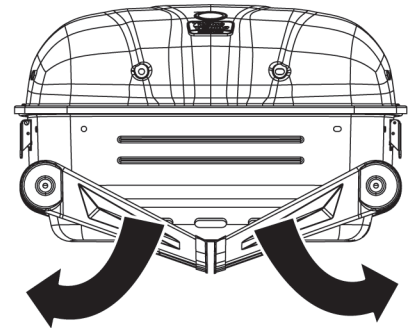
Typical assembly is approximately 30 minutes.

# 2

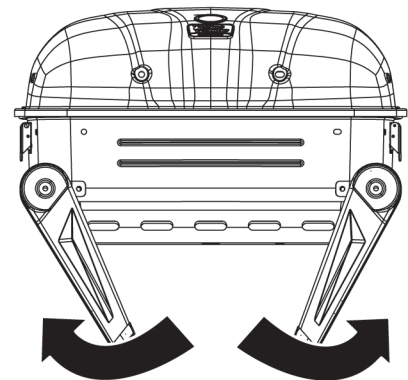
### Unfold Legs

Note: Always open legs completely and secure them in place before lighting grill.

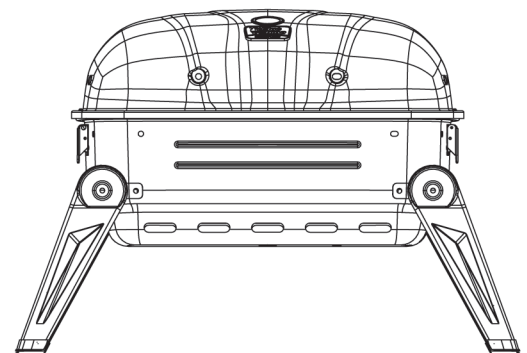
# 1



# 2

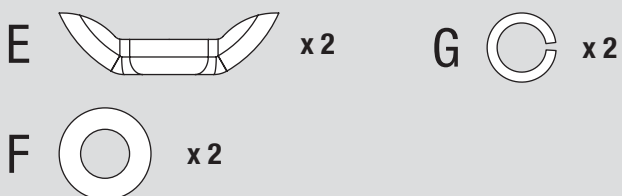
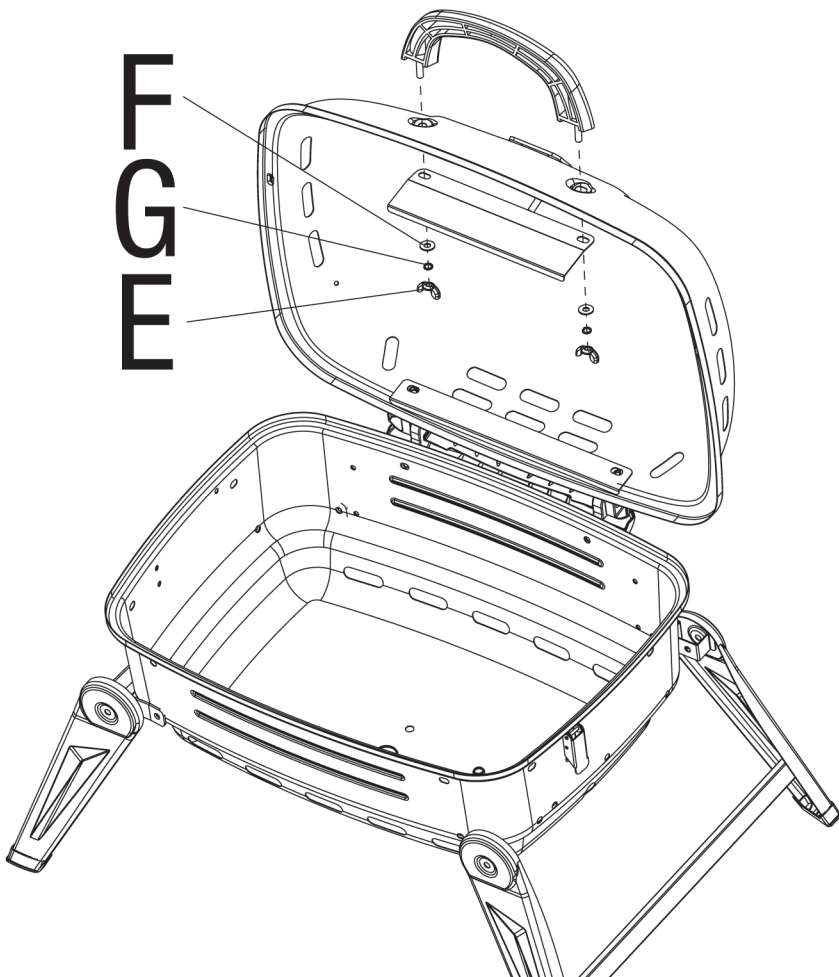


# 3



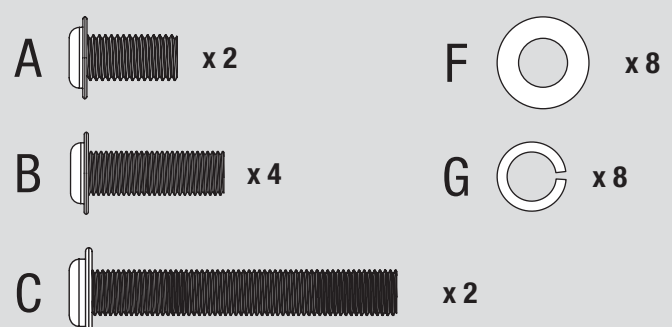
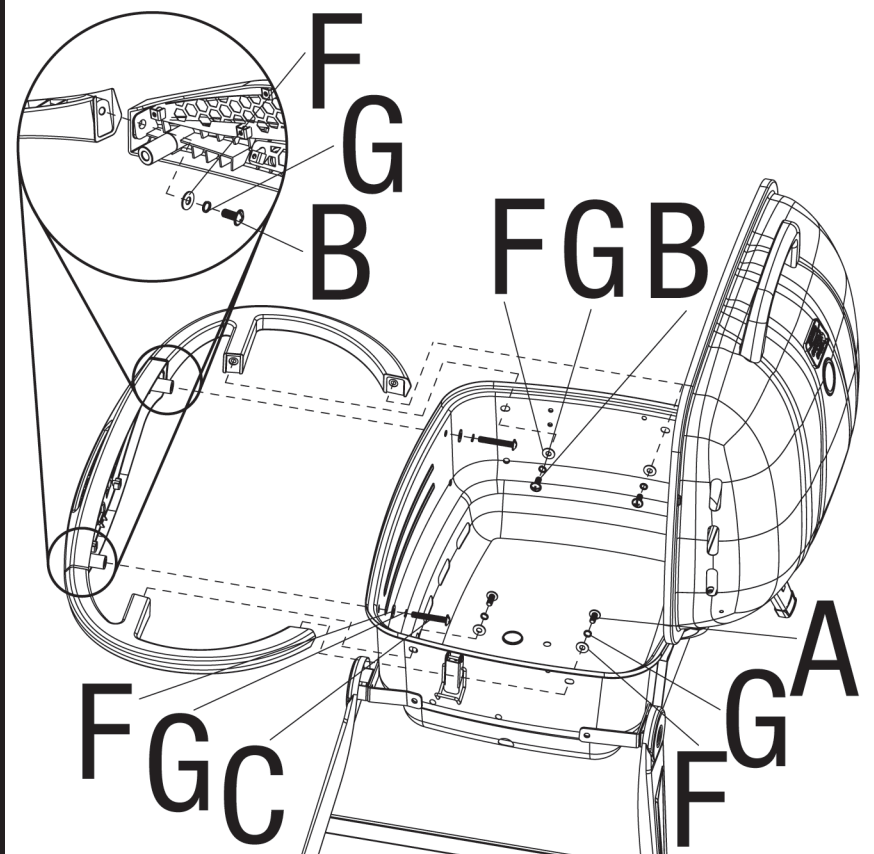
# 3

### Attach Lid Handle and Cooking Grid Locking Support A



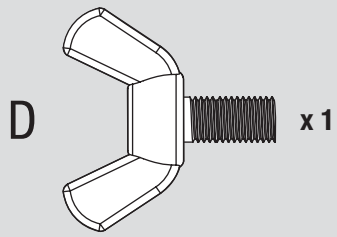
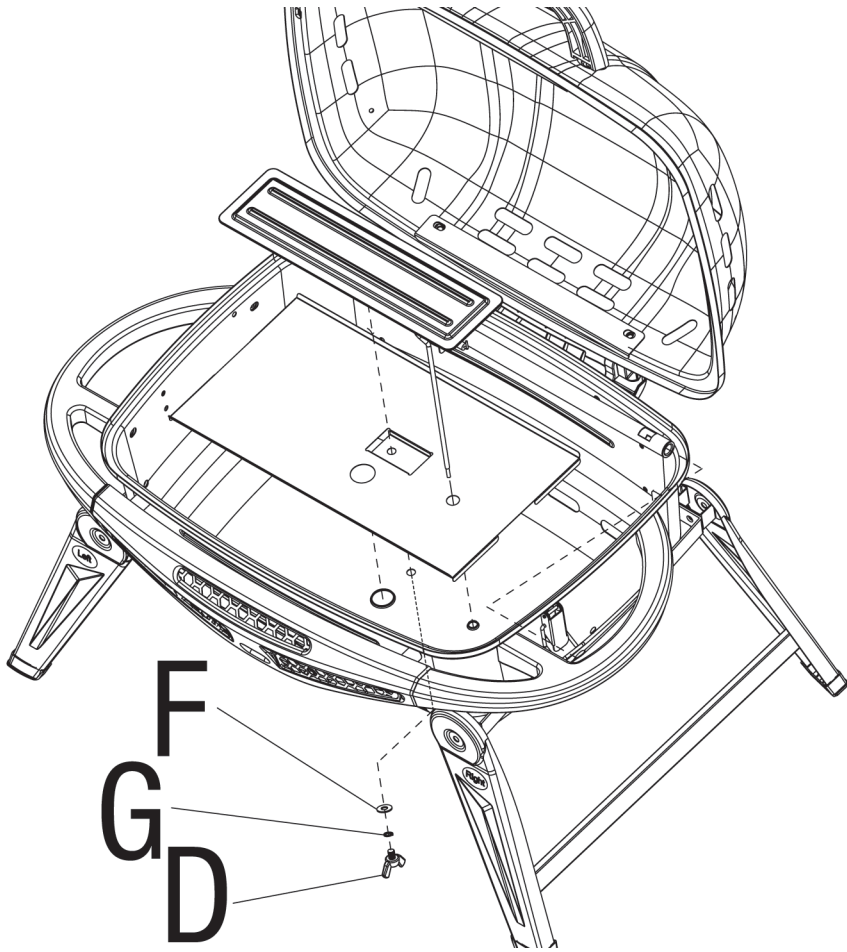
# 4



### Attach Side Handle Assembly



5

### Attach Bottom Bowl Heat Shield and Burner

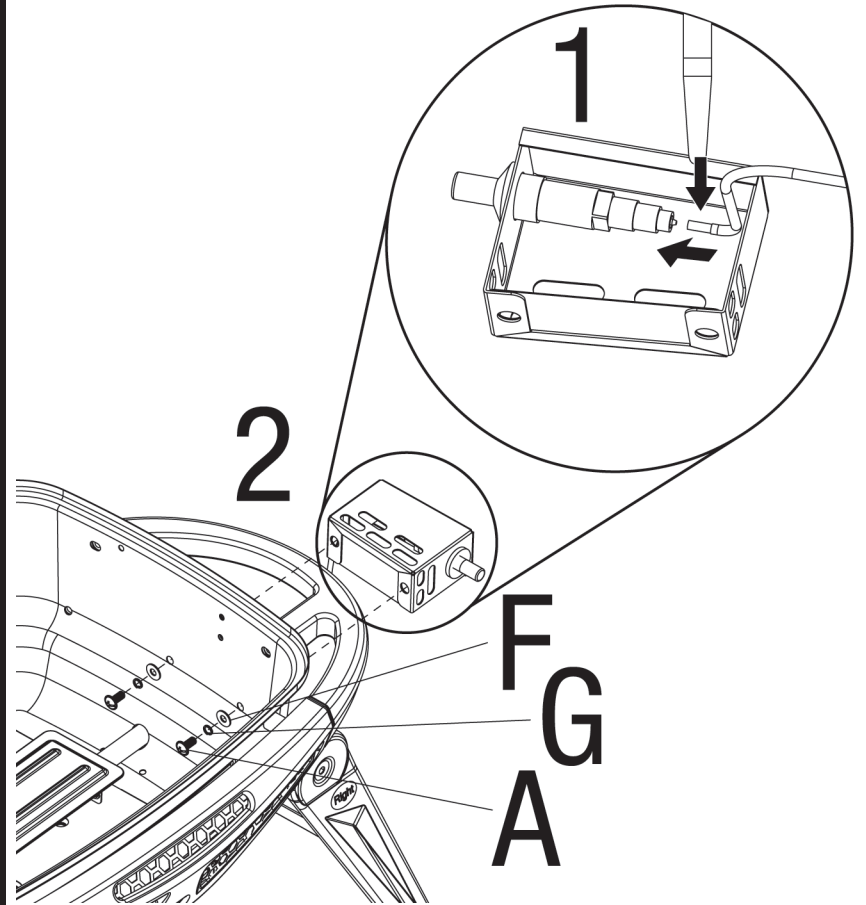


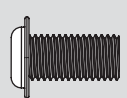


- F  x1
- G  x1

6

### Attach Igniter Wire and Igniter Assembly

Tip: Use needle nose pliers to attach igniter wire to igniter.

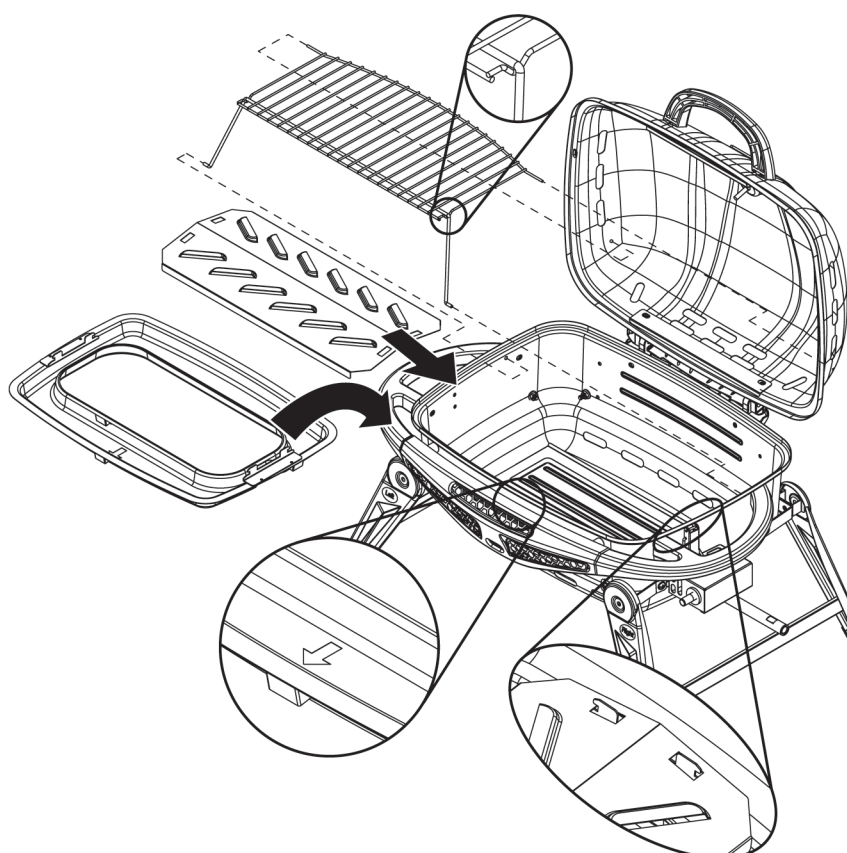


- A  x2
- F  x2
- G  x2

7

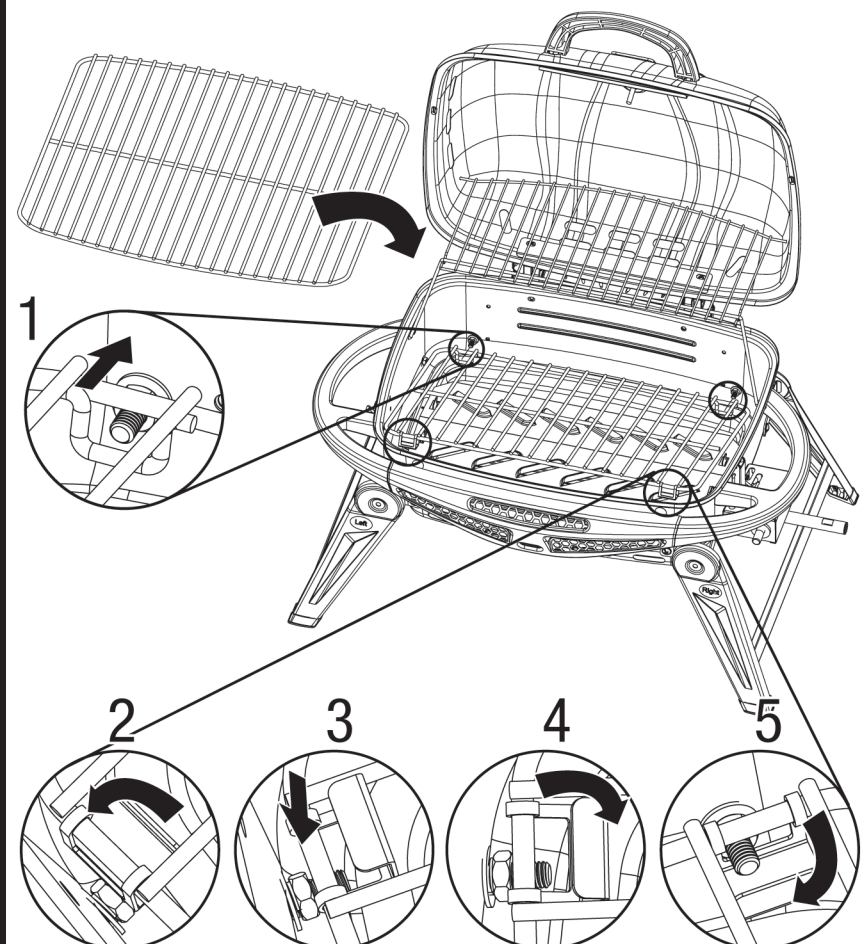
### Insert Ash Pan, Heat Plate and Warming Rack

Note: Arrow on ash pan must point to the front of the grill.



8

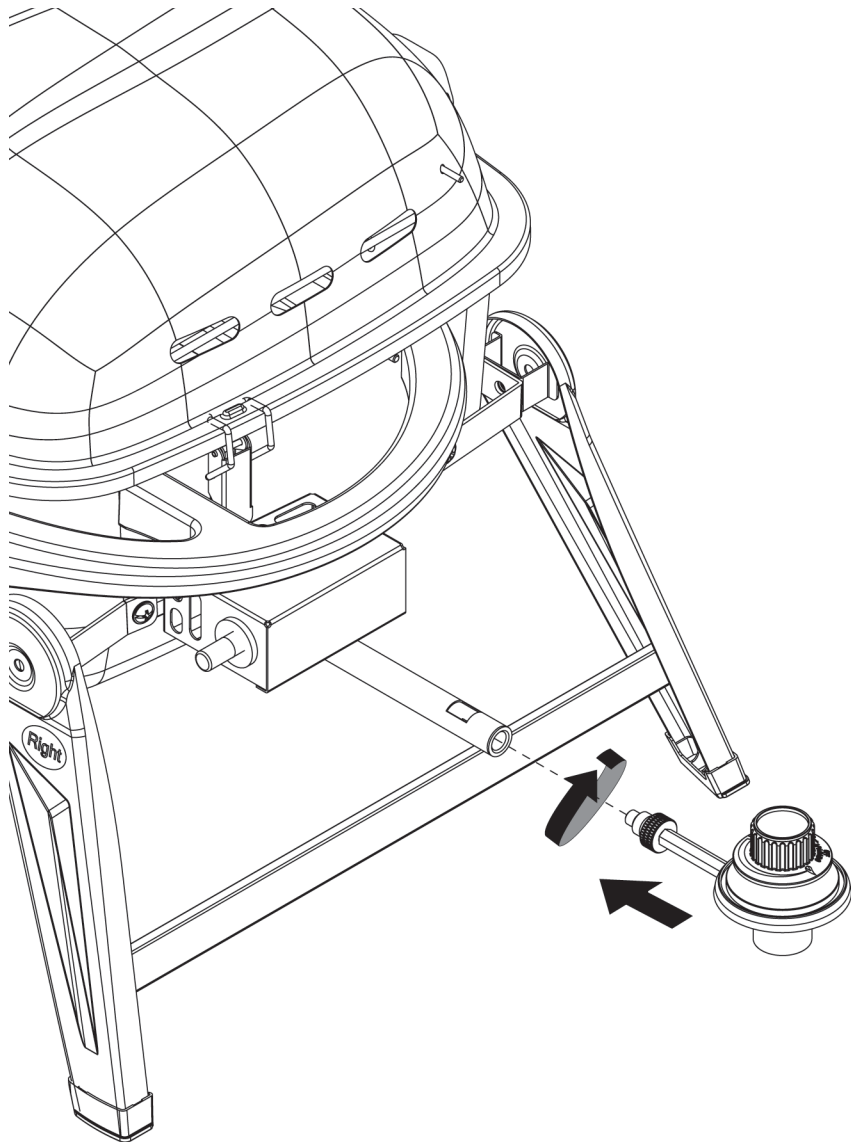
### Insert Charcoal Grid and Cooking Grid



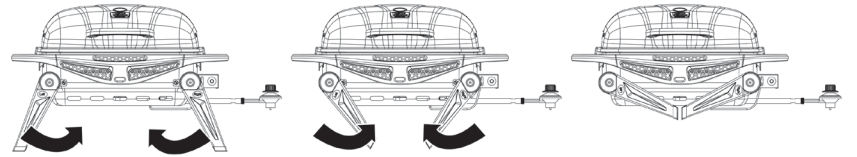


**Assembly Instructions (continued)**
**9**
**Attach Regulator/Control Knob**

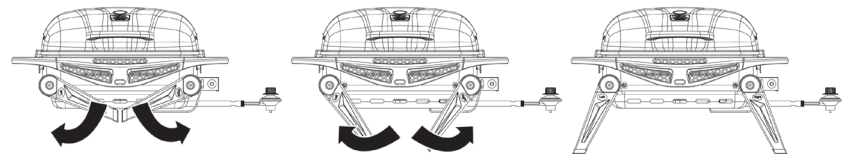
Note: Once attached, the regulator/control valve will freely rotate to accommodate the LP gas tank.


**10**
**Fold Up Legs**

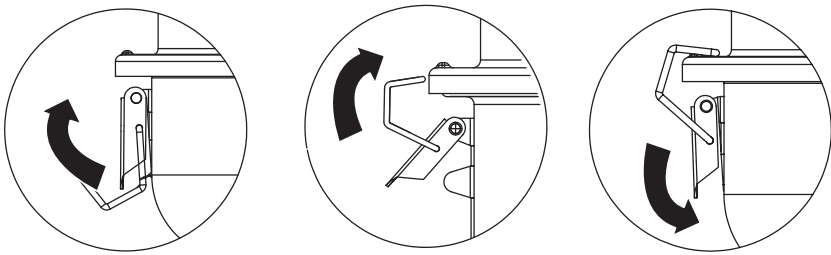
Note: Always lock lid before folding legs.


**Unfold Legs**

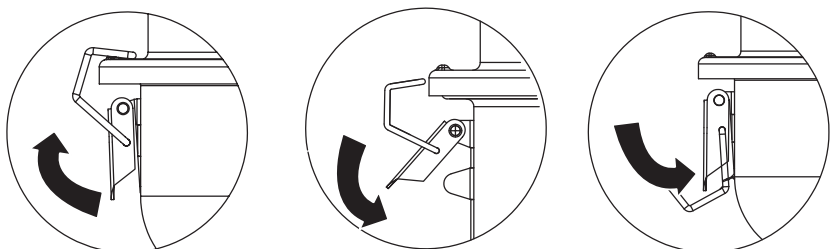
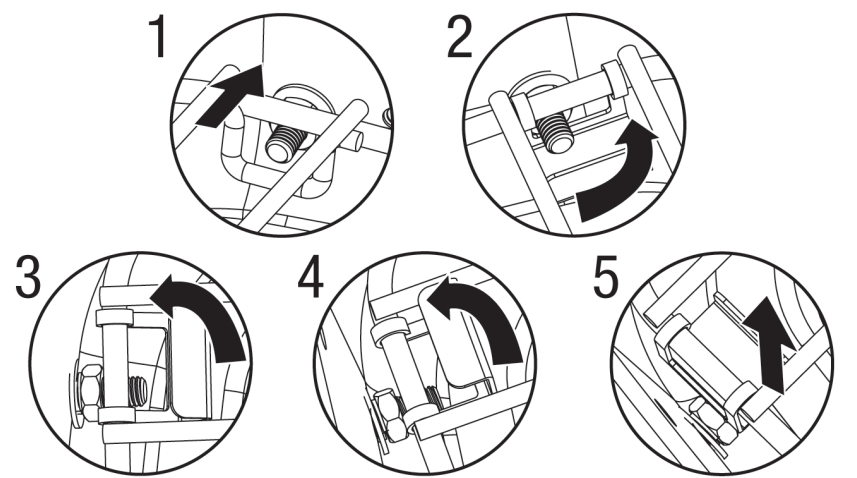
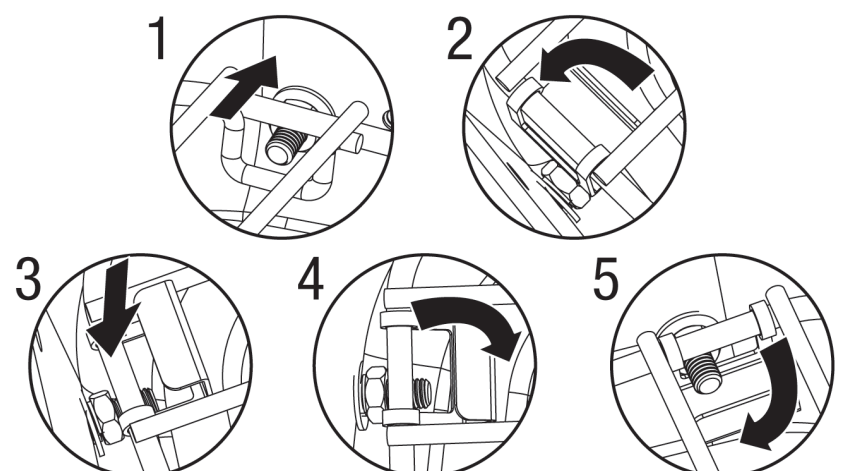
Note: Always open legs completely and secure them in place before lighting grill.


**11**
**Lock Lid**

Note: Lid must be locked before transporting grill.


**Unlock Lid**

Note: Always unlock and open lid before lighting grill.

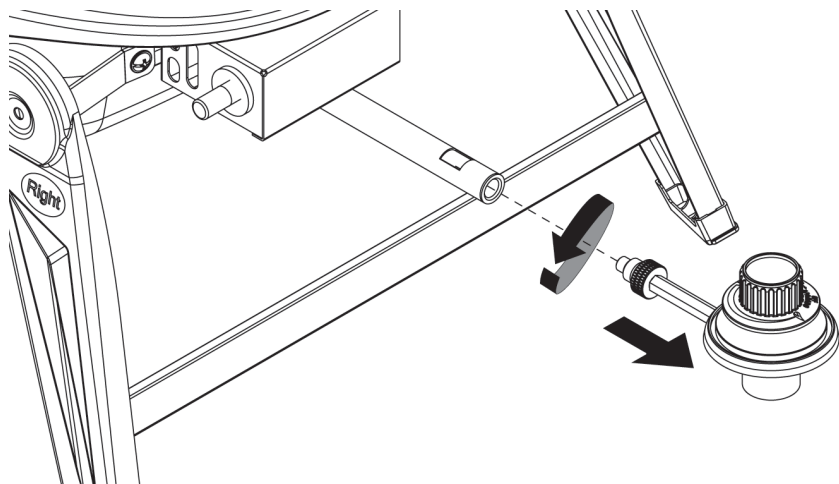

**12**
**Remove Charcoal Grid**

**Insert Charcoal Grid**




13

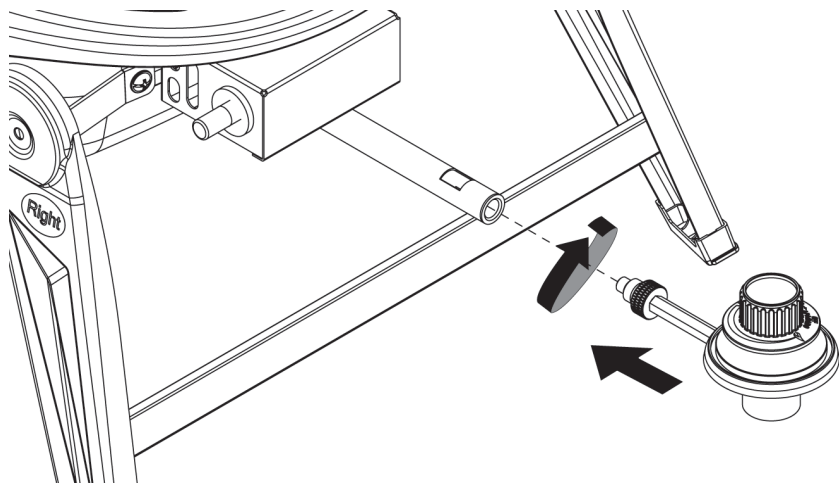
**Before Transporting the Grill**

Note: Remove the regulator/control knob prior to transportation.



**Before Using Grill**

- ▲ **CAUTION:** Always attach regulator/control knob prior to use.
- ▲ **CAUTION:** Perform leak test per “Checking for Leaks” section.



**Installing LP Gas Tank**

When you choose to use propane, this grill is designed to operate with a 1 lb. 7.75 in. or 10.6 in. high disposable / 16.4 oz. or 14.1 oz. propane gas tank (DOT 39 Cylinder) (Figure 1).

**DO NOT ATTEMPT TO REFILL ANY 1 lb. (16.4 oz. or 14.1 oz.) PROPANE GAS TANKS!**

**Connecting LP Gas Tank**

Only cylinders marked “propane” may be used.

Note: 1 lb cylinders may form frost when near empty.

1. Make sure the regulator/control knob is in the “OFF” position (Figure 2).
2. Lubricate the threads of the regulator/control knob with petroleum jelly. Line up threads on LP gas tank with regulator/control knob.
3. Insert and rotate LP gas tank clockwise until they fit snugly together. **HAND TIGHTEN ONLY.** Be careful not to crossthread when screwing in tank (Figure 3).
4. Perform leak test per “Checking for Leaks” section.

Figure 1

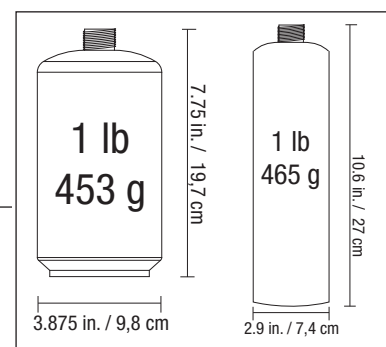


Figure 2

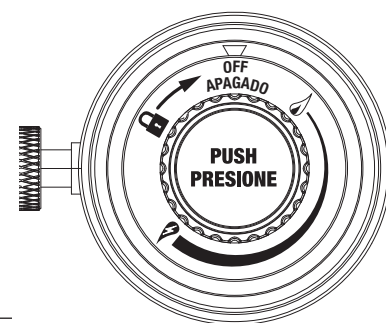
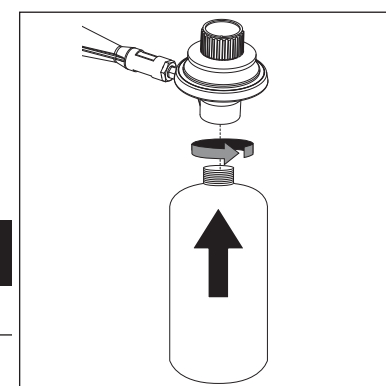


Figure 3



**Disconnecting LP Gas Tank**

1. Turn the regulator/control knob to the “OFF” position (Figure 2).
2. Rotate LP gas tank counterclockwise until it is detached (Figure 4).
3. Store the LP gas tank in a proper location, per instructions on the LP gas tank.

**Operating Instructions**

**Checking for Leaks**

**Burner Connections**

1. Make sure the regulator/control knob is securely fastened to the burner.  
Note: The brass nut should be ¼ to ½ turn past tight. The regulator will rotate 360° even when the brass nut is tightened.  
If your unit was assembled for you, visually check the connection between the burner and regulator/control knob (Figure 5).

▲ **WARNING: Failure to inspect this connection or follow these instructions could cause a fire or an explosion which can cause death, serious bodily injury or damage to property.**

2. If the burner and regulator/control knob do not fit properly or if you have any questions, please contact 1.800.694.0013 for assistance.

Figure 4

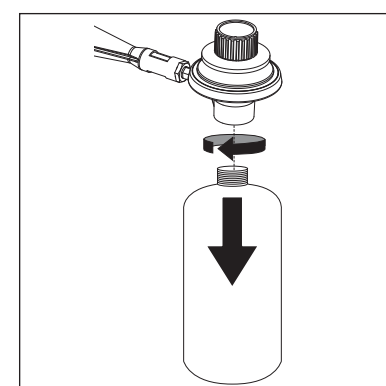
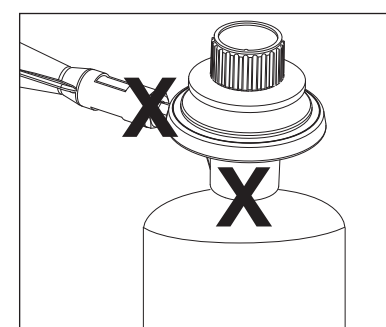


Figure 5



**Tank/Gas Line Connection**

1. Make 2-3 oz. of leak detection solution by mixing one part liquid dishwashing soap with three parts water.
2. Make sure regulator/control knob is in the “OFF” position (Figure 2).
3. Apply the leak detection check solution on all “X” locations (Figure 5).
  - a. If any bubbles appear, remove the LP gas tank and reconnect, making sure the connection is secure.
  - b. If you continue to see bubbles after several attempts, remove the LP gas tank per “Disconnecting LP Gas Tank” section, and contact 1.800.694.0013 for assistance.
  - c. If no bubbles appear after one minute, turn regulator/control knob to the “OFF” position, wipe away solution and proceed.

**First Use**

1. Make sure all labels, packaging and protective films have been removed from the grill.
2. Remove manufacturing oils before cooking on this grill for the first time by operating the grill for at least 15 minutes on 🔥 (HIGH) with the lid closed. This will “heat clean” the internal parts and dissipate odors.



## Operating Instructions (continued)

### Operating LP Gas Grill

#### Lighting Instructions

- ▲ **WARNING:** Always clean the entire grill when switching from a charcoal grill to a gas grill. Make sure burner ports are clean and clear from debris and ashes.
  - ▲ **WARNING:** NEVER use as an LP gas grill and charcoal grill at the same time.
  - ▲ **CAUTION:** Keep outdoor gas cooking appliance area clear and free from combustible materials, gasoline and other flammable vapors and liquids.
  - ▲ **CAUTION:** Do NOT obstruct the flow of combustion and ventilation air.
  - ▲ **CAUTION:** Check and clean burner/venturi tubes for insects and insect nests. A clogged tube can lead to a fire.
  - ▲ **CAUTION:** Attempting to light the burner with the lid closed may cause an explosion.
  - ▲ **CAUTION:** Always open legs completely and secure in place before opening lid or lighting grill.
1. Open lid.
  2. Check for obstructions of airflow to the burners. Spiders, insects and webs can clog the burner/venturi tube. A clogged burner/venturi tube can lead to a fire.
  3. Connect LP gas tank per "Connecting LP Gas Tank" section.
  4. Push and turn the control knob to 🔥 (HIGH).
  5. Press the igniter button quickly 3 to 4 times to light burner.
  6. If ignition does not occur in 5 seconds, turn regulator/control knob to "OFF" position, wait 5 minutes and repeat lighting procedure.
  7. If igniter does not light burner, use a lit match to light burner manually.
    - a. Access the burner through the hole in bottom bowl or side as indicated (Figure 6).
    - b. Turn the regulator/control knob to 🔥 (LOW) and position the lit match near side of the burner.
  8. After lighting, observe the burner flame. Make sure all burner ports are lit and flame height matches illustration (Figure 7).
- ▲ **Caution:** If burner flame goes out during operation, immediately turn the regulator/control knob "OFF" and open lid to let the gas clear for 5 minutes before re-lighting.

Figure 6

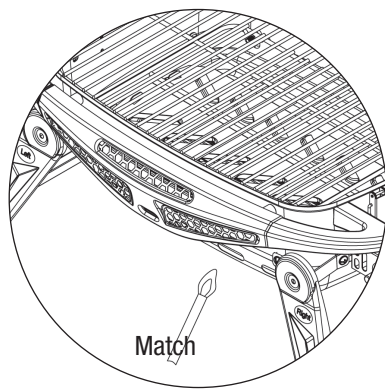
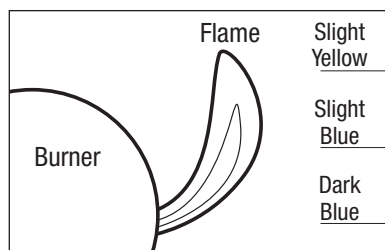


Figure 7



#### Turning Off

1. Turn regulator/control knob to the "OFF" position (Figure 2).  
Note: A "poof" sound is normal as the last of the LP gas is burned.
2. Disconnect LP gas tank per "Disconnecting LP Gas Tank" section.

#### Cooking

- ▲ **CAUTION:** Do NOT leave grill unattended while preheating or burning off food residue on 🔥 (HIGH). If grill has not been cleaned, a grease fire can occur.
1. Open lid and ignite the side burner per "Lighting Instructions" section.
  2. Close lid and preheat grill on 🔥 (HIGH).
  3. Adjust regulator/control knob to desired flame height.
  4. Wear protective gloves and use long handle tongs to place food onto cooking grids above the lit burner.
  5. With lid open or closed, cook until desired internal food temperatures are achieved.
  6. Turn grill off per "Turning Off" section.

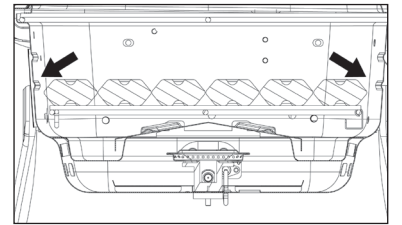
### Operating Charcoal Grill

#### Lighting Instructions

- ▲ **WARNING:** NEVER use the gas grill to start the charcoal.
- ▲ **WARNING:** NEVER use the ignition to start the charcoal.
- ▲ **WARNING:** Always disconnect and properly store the LP gas tank prior to using as a charcoal grill.
- ▲ **CAUTION:** NEVER use charcoal that has been pre-treated with lighter fluid. Use only a high grade plain charcoal, charcoal/wood mixture, lump charcoal or cooking wood.
- ▲ **CAUTION:** Keep outdoor cooking appliance area clear and free from combustible materials, gasoline and other flammable vapors and liquids.
- ▲ **CAUTION:** Check to make sure the air vents are free of debris and ashes before using the grill.

- ▲ **CAUTION:** Attempting to light the grill with the lid closed may cause an explosion.
- ▲ **CAUTION:** When using a liquid starter, always check bottom bowl before lighting. Fluid can collect in the bottom bowl and could ignite, resulting in a fire.
- ▲ **CAUTION:** Never add lighting fluid to hot or warm coals as flashback may occur, causing serious injury or damage to property.
- ▲ **Do NOT add more than 2.2 lbs. of charcoal.**
  1. Open lid and vents.
  2. Make sure bottom bowl is empty.
  3. Remove cooking grid.
  4. Arrange charcoal briquettes or other fuel on the charcoal grid to the "Fill Line" (Figure 8).
  5. Light per instructions on fuel package.
  6. Allow fuel time to ash into glowing coals before cooking.

Figure 8



#### Turning Off

1. Allow charcoal to completely extinguish itself.
- ▲ **WARNING:** Do NOT use water to extinguish. This can be dangerous and cause damage.
2. Dispose of the ashes in a proper location.

### Controlling Flare-ups While Using LP Gas or Charcoal

- ▲ **CAUTION:** Putting out grease fires by closing the lid is not possible.
  - **LP GAS:** If a grease fire develops, turn regulator/control knob to "OFF." Do NOT use water on a grease fire. This can cause the grease to splatter and could result in serious burns, bodily harm or other damage.
  - **CHARCOAL:** Do NOT use water on a grease fire. This can cause the grease to splatter and could result in serious burns, bodily harm or other damage.
  - **LP GAS:** Do NOT leave grill unattended while preheating or burning off food residue on 🔥 (HIGH). If grill has not been cleaned, a grease fire can occur that may damage the product.
  - **CHARCOAL:** Do NOT leave grill unattended while preheating or burning off food residue. If grill has not been cleaned, a grease fire can occur that may damage the product.
- ▲ **WARNING:** When cooking, fire extinguishing materials should be readily accessible. In the event of an oil/grease fire, use type BC dry chemical fire extinguisher or smother with dirt, sand or baking soda. Do NOT attempt to extinguish with water.

Flare-ups are a part of cooking meats on a grill and add to the unique flavor of grilling.

**Excessive flare-ups can over-cook your food and be dangerous.**

**Important:** Excessive flare-ups result from the build-up of grease in the bottom of your grill.

If a grease fire occurs, close the lid **AND** turn regulator/control knob to "OFF," until the grease burns out. Use caution when opening the lid as sudden flare-ups may occur.

If excessive flare-ups occur, do **NOT** pour water onto the flames.

#### Minimize Flare-ups:

1. Trim excess fat from meats prior to cooking.
2. Cook high fat content meats on 🔥 (LOW) setting or indirectly.
3. Ensure that your grill is on a hard, level, non-combustible surface and the grease is allowed to drain into a grease receptacle.

## Cleaning and Care

- ▲ **CAUTION:**
  1. **LP GAS:** All cleaning and maintenance should be done when grill is cool and with the fuel supply disconnected.  
**CHARCOAL:** All cleaning and maintenance should be done when grill is cool and when the ashes are properly disposed.
  2. Do NOT clean any grill part in a self-cleaning oven. The extreme heat will damage the finish.
  3. **LP GAS:** Do NOT enlarge valve orifices or burner ports when cleaning the valves or burners.

#### Notices

1. This grill should be thoroughly cleaned and inspected on a regular basis.
2. Abrasive cleaners will damage this product.
3. Never use oven cleaner to clean any part of grill.



## Cleaning and Care (continued)

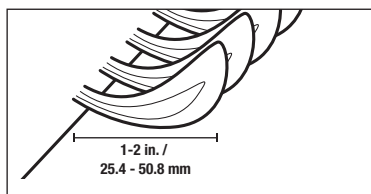
### Before Each Use

1. Keep the grill area clean and free from any combustible materials, gasoline, and other flammable vapors and liquids.
2. Do NOT obstruct the flow of the combustion of LP gas and the ventilation of air.
3. Keep the ventilation opening(s) of the LP gas tank area free and clear from debris.
4. Visually check the burner flames to make sure your grill is working properly (Figure 9).
5. See below for proper cleaning instructions.
6. Check for obstructions of airflow to the burners. Spiders, insects and webs can clog the burner/venturi tube. A clogged burner/venturi tube can lead to a fire.

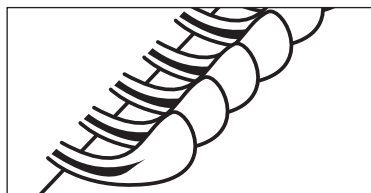
Figure 9

### Burner Flame Conditions

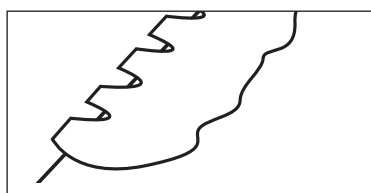
Use this chart to see if your burners need to be cleaned.



**Normal:** Soft blue flames with yellow tips between 1 in. - 2 in. height.



**Needs cleaning:** Noisy with hard blue flames.



**Has to be replaced:** Wavy with yellow flames.

### Cleaning Surfaces

1. Wipe surfaces clean with mild dishwashing detergent or baking soda mixed with water.
2. For stubborn surfaces, use a citrus-based degreaser and a nylon scrubbing brush.
3. Rinse clean with water.
4. Allow to air dry.

### Cleaning Main Burners

1. Turn off per "Turning Off" section.
2. Disconnect LP gas tank per "Disconnecting LP Gas Tank" section.
3. Remove regulator/control knob and wind guard.
4. Remove cooking grid and heat plate.
5. Disconnect wire from igniter, if applicable.
6. Remove burner.
7. Remove all food residue and dirt from burner surface.
8. Disconnect wire from spark electrode.
9. Clean inlet of burner with small bottle brush or compressed air.
10. Clean any clogged ports with a stiff wire (such as an opened paper clip).
11. Inspect burner for any damage (cracks or holes). If damage is found, replace with a new burner from manufacturer.
12. Reinstall burner. Reconnect igniter (if applicable), wind guard and regulator/control knob.
13. Replace heat plate and cooking grid.
14. Connect LP gas tank per "Installing LP Gas Tank" section.
15. Perform leak test per "Checking for Leaks" section.

### Before Storing

#### LP Gas

1. Turn off per "Turning Off" section.
2. Disconnect LP gas tank per "Disconnecting LP Gas Tank" section.
3. Clean all surfaces.
4. Lightly coat the burner and cooking grid with cooking oil to prevent excess rusting.
5. If storing the grill indoors, disconnect the LP tank per "Disconnecting LP Gas Tank" section.
6. Place the protective cap cover on the LP tank and store the tank outdoors in a well-ventilated area out of direct sunlight.
7. If storing the grill outdoors, cover the grill with a grill cover for protection from the weather.

#### Charcoal

1. Turn off per "Turning Off" section.
2. Wait for grill to fully cool.
3. Clean all surfaces.
4. Lightly coat the interior surfaces with cooking oil to prevent excess rusting. Do NOT coat charcoal grid or bottom bowl.
5. If storing the grill outdoors, cover the grill with a grill cover for protection from the weather.

## Product Registration

For faster warranty service, please register your product immediately. To register, call 1.800.694.0013.

## Replacement Parts

For replacement parts, call 1.800.694.0013.

## Limited Warranty

RevoAce Inc. Limited ("manufacturer") warrants to the original retail purchaser of this product, and to no other person, that if this product is assembled, maintained, and operated in accordance with the printed instructions accompanying it, then for a period of one (1) year from the date of purchase, all parts in such product shall be free from defects in material and workmanship. Manufacturer may require reasonable proof of your date of purchase. Therefore, you should retain your sales slip or invoice. This Limited Warranty shall be limited to the repair or replacement of parts, which prove defective under normal use and service and which manufacturer shall determine in its reasonable discretion upon examination to be defective. Before returning any parts, you should contact manufacturer's Customer Service Department using the contact information listed below. If manufacturer confirms, after examination, a defect covered by this Limited Warranty in any returned part, and if manufacturer approves the claim, manufacturer will replace such defective part without charge. If you return defective parts, transportation charges must be prepaid by you. manufacturer will return replacement parts to the original retail purchaser, freight or postage prepaid.

This Limited Warranty does not cover any failures or operating difficulties due to accident, abuse, misuse, alteration, misapplication, improper installation or improper maintenance or service by you or any third party, or failure to perform normal and routine maintenance on the product as set out in this owner's manual. In addition, the Limited Warranty does not cover damage to the finish, such as scratches, dents, discoloration, rust or other weather damage, after purchase.

This Limited Warranty is in lieu of all other express warranties. manufacturer disclaims all warranties for products that are purchased from sellers other than authorized retailers or distributors, including the warranty of merchantability or the warranty of fitness for a particular purpose. MANUFACTURER ALSO DISCLAIMS ANY AND ALL IMPLIED WARRANTIES, INCLUDING WITHOUT LIMITATION THE IMPLIED WARRANTIES OF MERCHANTABILITY AND FITNESS FOR A PARTICULAR PURPOSE. MANUFACTURER SHALL HAVE NO LIABILITY TO PURCHASER OR ANY THIRD PARTY FOR ANY SPECIAL, INDIRECT, PUNITIVE, INCIDENTAL, OR CONSEQUENTIAL DAMAGES. manufacturer further disclaims any implied or express warranty of, and assumes no responsibility for, defects in workmanship caused by third parties.

This Limited Warranty gives the purchaser specific legal rights; a purchaser may have other rights depending upon where he or she lives. Some jurisdictions do not allow the exclusion or limitation of special, incidental or consequential damages, or limitations on how long a warranty lasts, so the above exclusion and limitations may not apply to everyone. manufacturer does not authorize any person or company to assume for it any other obligation or liability in connection with the sale, installation, use, removal, return, or replacement of its equipment, and no such representations are binding on manufacturer.

RevoAce Inc. Limited  
 Hong Kong, China  
 service@revoace.com  
 1.800.694.0013



## Troubleshooting

Problem	Possible Cause	Prevention/Cure
<b>Burner will not light using igniter</b>	LP gas tank is low or empty	Replace LP gas tank
	LP gas leak	1. Turn LP gas tank valve to "OFF" 2. Wait 5 minutes for gas to clear 3. Follow "Checking for Leaks" section
	Bottom bowl and ash pan are covered with ashes	Clear bottom bowl and ash pan of ashes
	Wires or electrode covered with cooking residue	Clean wire and/or electrode with rubbing alcohol
	Electrode and burners are wet	Wipe dry with cloth
	Electrode cracked or broken - sparks at crack	Replacement part(s) may be needed - contact Customer Care at 1.800.694.0013
	Wire loose or disconnected	Reconnect wire or replacement part(s) may be needed - contact Customer Care at 1.800.694.0013
	Wire is shorting (sparking) between igniter and electrode	Replacement part(s) may be needed - contact Customer Care at 1.800.694.0013
Bad igniter	Replacement part(s) may be needed - contact Customer Care at 1.800.694.0013	
<b>Burner will not light with match</b>	No gas flow	Check if LP gas tank is empty A. If empty, replace B. If LP gas tank is not empty, refer to "Sudden drop in gas flow or reduced flame height" below
	LP gas tank is low or empty	Replace LP gas tank
	LP gas leak	1. Turn LP gas tank valve to "OFF" 2. Wait 5 minutes for gas to clear 3. Follow "Checking for Leaks" section
	Coupling nut and regulator not fully connected	Turning the coupling nut about one-half to three-quarters additional turn until solid stop. <b>Tighten by hand only – do NOT use tools.</b>
	Obstruction of gas flow	Clear burner/venturi tube
	Spider webs or insect nest in venturi	Clean burner/venturi tube
	Burner ports clogged or blocked	Clean burner ports
<b>Sudden drop in gas flow or reduced flame height</b>	Out of gas	Replace LP gas tank
<b>Irregular flame pattern – flame does not run the full length of burner</b>	Burner ports are clogged or blocked	Clean burner ports
<b>Flame is yellow or orange</b>	New burner may have residual manufacturing oils	Operate grill for 15 minutes on 🔥 (HIGH) with the lid closed
	Spider webs or insect nest in burner/venturi tube	Clean burner/venturi tube
	Food residue, grease, etc. on burners	Clean burner
	Poor alignment of valve to burner/venturi tube	Ensure burner/venturi tube is properly engaged with valve
<b>Flame goes out</b>	High or gusting winds	Do not use grill in high winds
	Low on LP gas	Replace LP gas tank
	Overflow valve tripped	Refer to "Sudden drop in gas flow or reduced flame height," above
<b>Flare-up</b>	Grease buildup	Remove and clean all grill parts per "Cleaning and Care" section
	Excess fat in meat	Trim fat from meat before grilling
	Excessive cooking temperature	Adjust (lower) cooking temperature
<b>Persistent grease fire</b>	Grease trapped by food buildup around burner system	1. Turn control knob to "OFF" 2. Leave lid in closed position and let fire burn out 3. After grill cools, remove and clean all grill parts per "Cleaning and Care" section
<b>Flashback (fire in burner tube(s))</b>	Burner and/or burner tubes are blocked	Clean burner and/or burner/venturi tube
<b>Inside of lid is peeling (like paint peeling)</b>	Baked on grease buildup has turned to carbon and is flaking off.	Clean all grill parts per "Cleaning and Care" section.

**For more assistance, please call 1.800.694.0013.**



**Need help? Call 1.800.694.0013**  
**Do not return to place of purchase.**

**Replacement Parts**  
**1.800.694.0013**

## Resolución de problemas

Problema	Causa posible	Prevención/solución	
El quemador no se enciende utilizando el encendedor.	El tanque de gas propano está vacío o vacío.	Reemplace el tanque de gas propano.	
	Fuga de gas propano.	1. Cierre la válvula del tanque de gas propano líquido girándola a la posición "APAGADO". 2. Espere 5 minutos para dejar que la zona quede despejada de gas. 3. Siga las instrucciones "Detección de fugas" del manual del usuario.	
	La carcasa de la parrilla y el recogedor de cenizas están cubiertos por cenizas.	Limpe la carcasa y el recogedor de cenizas.	
	Cables o electrodos cubiertos con restos de alimentos.	Limpe el cable y/o electrodo con alcohol isopropílico.	
	Los electrodos y los quemadores están mojados.	Séquelos con un paño.	
	Electrodo agrietado o roto; chispas en las grietas.	Pueden necesitarse piezas de repuesto. Comuníquese con el Servicio al Cliente al 1.800.694.0013	
	Cable suelto o desconectado.	Puede ser necesario volver a conectar el cable u obtener piezas de repuesto. Comuníquese con el Servicio al Cliente al 1.800.694.0013	
	El cable tiene un cortocircuito (chispeo) entre el encendedor y el electrodo.	Pueden necesitarse piezas de repuesto. Comuníquese con el Servicio al Cliente al 1.800.694.0013	
	Encendedor defectuoso.	1.800.694.0013 Pueden necesitarse piezas de repuesto. Comuníquese con el Servicio al Cliente al 1.800.694.0013	
	El quemador no se enciende con una cerilla.	No hay flujo de gas.	A. Si está vacío, reemplácelo. B. Si el tanque de propano líquido no está vacío, consulte la sección "Caida repentina del flujo de gas o tamaño de llama insuficiente" de esta página.
El tanque de gas propano está bajo o vacío.		Reemplace el tanque de gas propano.	
Fuga de gas propano.		1. Cierre la válvula del tanque de gas propano líquido girándola a la posición "APAGADO". 2. Espere 5 minutos para dejar que la zona quede despejada de gas. 3. Siga las instrucciones "Detección de fugas" del manual del usuario.	
La tuerca de acoplamiento no está conectada por completo.		Gire la tuerca de acoplamiento entre media vuelta y tres cuartos de vuelta hasta que haga tope con firmeza. <b>Apriete únicamente a mano, sin utilizar ninguna herramienta.</b>	
Obstrucción del flujo de gas.		Limpe los tubos del quemador. Verifique que la maniguera no esté torcida o doblada.	
Telarañas o nidos de insectos en el venturi.		Limpe el tubo de venturi.	
Bocas del quemador atasgadas u obstruidas.		Limpe las bocas del quemador.	
Caida repentina del flujo de gas o altura de la llama insuficiente.		Sin gas.	Reemplace el tanque de gas propano.
		Falta de uniformidad en la llama, la llama no cubre toda la longitud del quemador.	Las bocas del quemador están atasgadas u obstruidas. Limpe las bocas del quemador.
		Puede que el nuevo quemador tenga aceites residuales del proceso de fabricación.	Haga funcionar la parrilla durante 15 minutos con la tapa cerrada con la perilla en la posición de fabricación (alto).
	Telarañas o nidos de insectos en el venturi.	Limpe el venturi.	
	Restos de alimentos, grasa o sal para condimentar en el quemador.	Limpe el quemador.	
	Alimentación incorrecta entre la válvula y el quemador de venturi.	Asegúrese de que el venturi del quemador está conectado adecuadamente a la válvula.	
	Vientos fuertes o racheados.	No use la parrilla cuando hay vientos fuertes. Reemplace el tanque de gas propano.	
	Nivel de gas del tanque de propano bajo.	Reemplace el tanque de gas propano.	
	Válvula de exceso de flujo activada: puede que se haya activado el dispositivo de seguridad de exceso de flujo.	Consulte la sección de esta página "Caida repentina del flujo de gas o tamaño de llama insuficiente" de esta página.	
	Formaciones de grasa.	Quite y limpie las piezas de la parrilla siguiendo las instrucciones "Limpieza y cuidado" del manual del usuario.	
Fogonazo.	Carne con exceso de grasa.	Retire la grasa de la carne antes de ponerla en la parrilla.	
	Si está utilizando una temperatura excesiva para cocinar.	Ajuste (baje) la temperatura según corresponda.	
	Grasa atasgada por la acumulación de comida alrededor del sistema de quemadores.	1. Gire la perilla de control a la posición "APAGADO". 2. Deje la tapa cerrada y deje que el fuego se consuma. 3. Una vez entrado la parrilla, quite y limpie las piezas de la parrilla siguiendo las instrucciones "Limpieza y cuidado" del manual del usuario.	
La llama es de color amarillo o naranja.	Formaciones de grasa.	Quite y limpie las piezas de la parrilla siguiendo las instrucciones "Limpieza y cuidado" del manual del usuario.	
	La llama se apaga.	Limpe las piezas de la parrilla según lo indicado en las instrucciones de quemador).	
	La grasa provoca un fuego persistente	1. Gire la perilla de control a la posición "APAGADO". 2. Deje la tapa cerrada y deje que el fuego se consuma. 3. Una vez entrado la parrilla, quite y limpie las piezas de la parrilla siguiendo las instrucciones "Limpieza y cuidado" del manual del usuario.	
Centilleos (hay fuego en el(l)os tubo(s) del quemador).	El quemador y/o juegos de quemadores están bloqueados.	Limpe el quemador y/o los tubos del quemador.	
	El interior de la tapa se está pelando; igual que cuando se pela la pintura.	La acumulación de grasa se ha convertido en carbón y se está desmenuzando. Limpe todas las piezas de la parrilla según lo indicado en las instrucciones de quemador.	
	Para ayuda más detallada, sírvase llamarnos al 1.800.694.0013 para ayudarlo inmediatamente.		

¿Necesita ayuda? Llame al 1.800.694.0013. No vuelva al lugar de compra.

Para piezas de repuesto  
1.800.694.0013





## Garantía limitada

RevoAce Inc. Limited ("fabricante") garantiza al comprador original al detal de este producto, y a ninguna otra persona, que si la unidad se arma y opera de acuerdo con las instrucciones impresas que la acompañan y por un periodo de un (1) año a partir de la fecha de compra, todas las piezas de este producto estarán libres de defectos en material y mano de obra. El fabricante podrá requerir prueba razonable de la fecha de compra. Por lo tanto, usted debe conservar el recibo de venta o la factura. Esta garantía limitada estará limitada a la reparación o reemplazo de las piezas que resulten defectuosas en condiciones de servicio y uso normal y las que un examen indique, a satisfacción de fabricante, que están defectuosas. Antes de devolver cualquier pieza, comuníquese con el Departamento de Servicio al Cliente de fabricante. Si fabricante confirma el defecto y aprueba el reclamo, fabricante decidirá reemplazar tales partes sin costo alguno. Si se le pide que devuelva las partes defectuosas, los costos de transporte deberán ser prepagados. El fabricante devolverá las partes al cliente con costo de transporte o envío prepagados.

Esta garantía limitada no cubre fallas o dificultades de operación debidas a accidente, abuso, mal uso, alteración, empleo en usos inapropiados, instalación defectuosa o mantenimiento o servicio inapropiado o falla en la realización de mantenimiento normal y rutinario como se prescribe en este manual del usuario. Además, la garantía limitada no cubre daños al terminado de la unidad, tales como rasguños, abolladuras, descoloridos, oxidaciones y otros daños causados por la intemperie después de la compra de la unidad.

Esta garantía limitada reemplaza cualquier otra garantía. El fabricante no asume ninguna responsabilidad por garantías de productos vendidos por quienes no sean distribuidores o vendedores al detal autorizados. Esta exención de responsabilidad incluye cualquier garantía de comerciabilidad o la garantía de aptitud para un propósito en particular. EL FABRICANTE NO SE HACE RESPONSABLE POR NINGUNA GARANTÍA IMPLÍCITA INCLUYENDO, SIN LIMITACIONES, LAS GARANTÍAS IMPLÍCITAS DE COMERCIABILIDAD Y ADAPTABILIDAD A UN PROPOSITO PARTICULAR. EL FABRICANTE NO ASUME RESPONSABILIDAD ANTE EL COMPRADOR O ANTE CUALQUIER TERCERA PERSONA POR DAÑOS ESPECIALES, INDIRECTOS, PUNITIVOS, INCIDENTALES O CONSECUENCIALES. El fabricante, además, no asume responsabilidad por garantías implícitas o expresas por defectos de mano de obra causados por terceras personas.

Esta garantía limitada le da al comprador derechos legales específicos y el comprador puede tener otros derechos según el lugar donde el comprador o la compradora residan. Ciertas jurisdicciones no permiten limitaciones en cuanto a la duración de una garantía implícita, de manera que esta limitación puede no ser aplicable a usted.

El fabricante no autoriza a ninguna persona o compañía para asumir por el fabricante cualquier otra obligación a responsabilidad relacionada con la venta, instalación, uso, remoción, devolución o reemplazo de este equipo y cualquier representación de esta naturaleza no obliga a el fabricante.

RevoAce Inc. Limited  
Hong Kong, China  
service@revoace.com  
1.800.694.0013

## ?Necesita ayuda? Llame al 1.800.694.0013.


No vuelva al lugar de compra.

Para piezas de repuesto  
1.800.694.0013

Si se presenta una llamada de grasa, cierre la tapa de la parrilla Y gire la perilla de control del regulador a la posición "APAGADO" hasta que toda la grasa se haya quemado. Cuando abra la tapa, tenga cuidado, pues repentinamente puede presentarse otra llamada.

En caso de llamadas excesivas, NO trate de extinguirlas con agua.

### Haga mínimas las llamadas

1. Retire el exceso de grasa de la carne antes de cocerla.
2. Cuando cueza carnes de alto contenido de grasa, ponga la parrilla a bajo fuego en la graduación  o cueza la carne a fuego indirecto.
3. Verifique que la parrilla ha quedado colocada sobre una superficie no combustible, nivelada y firme, y que la grasa pueda evacuar hasta el recogedor de grasa.

## Limpeza y cuidado

### ▲ PRECAUCIÓN:

1. **GAS PROPANO:** Todas la operaciones de limpieza y mantenimiento deben realizarse con la parrilla fría y con el tanque de propano desconectado.
2. **CARBÓN DE LEÑA:** La limpieza y el mantenimiento deben realizarse cuando la parrilla está fría y habiendo desechado adecuadamente las cenizas.
3. **NO limpie ninguna pieza de esta parrilla en un horno de limpieza automática.** El calor extremo dañará el terminado.
4. **GAS PROPANO:** NO agrande los orificios de las válvulas ni los orificios de los quemadores al limpiar las válvulas o quemadores.

### Avisos

1. Esta parrilla debe limpiarse y verificarse completamente de manera regular.
2. No use productos de limpieza abrasivos pues dañarán este aparato.
3. Nunca use ninguna pieza de esta parrilla en un horno de limpieza automática.

### Cada vez que vaya a usar la unidad:

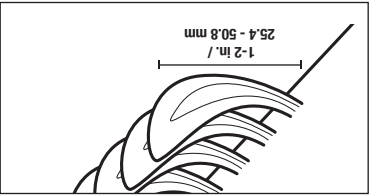
1. Mantenga el rededor de la unidad limpio y libre de materiales combustibles, gasolina, y otros líquidos y vapores inflamables.
2. No obstruya el flujo aire de combustión del propano líquido ni el aire de ventilación.
3. Mantenga la abertura o aberturas de la zona del tanque de gas propano líquido abiertas y libres de basura.
4. Visualmente examine la llama del quemador para estar seguro de que la parrilla está funcionando adecuadamente (vea la Figura 8).
5. Vea las instrucciones de limpieza más adelante para verificar que las observa apropiadamente.
6. Examine y limpie el quemador y los tubos del venturi de insectos y nidos de insectos. Un tubo atascado puede provocar un incendio.

### Limpeza de las superficies

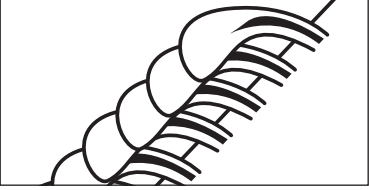
1. Limpie las superficies con un detergente suave de lavado de platos o con soda de hornear mezclado con agua.
2. En superficies de limpieza difícil, use un desengrasador a base de cítricos y un cepillo de nylon.
3. Enjuague las superficies con agua limpia.
4. Deje las superficies secar al aire libre.

### Limpeza del quemador

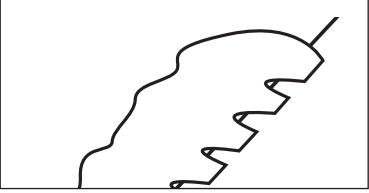
1. Apague la unidad según se detalla en la sección "Apagado".
2. Desconecte el tanque de propano de acuerdo con las instrucciones descritas en la sección "Desconectar el tanque de gas propano líquido."
3. Retire el conjunto de perilla de control/regulador y el resguardo contra el viento.
4. Retire las rejillas de cocción y la(s) placa(s) de distribución de calor.
5. Desconecte el alambre del encendedor (si aplicable).
6. Retire el quemador.
7. Retire de la superficie del quemador todo residuo de comida o suciedad.
8. Desconecte el alambre del electrodo.
9. Limpie el orificio de entrada del quemador con un cepillo pequeño de limpiar botellas o con chorro de aire comprimido.



**Normal:** Llama de color azul pálido con puntas amarillas de 2,5 a 5 cm de altura



**Necesita limpieza:** Hace ruido y la llama es de un azul vivo.



**Debe limpiarse:** La llama es amarilla y ondulante.

### Carbón de leña

1. Apague la unidad según se detalla en la sección "Apagado".
2. Desconecte el tanque de propano de acuerdo con las instrucciones descritas en la sección "Desconectar el tanque de gas propano líquido".
3. Limpie todas las superficies.
4. Cubra con una capa delgada de aceite de cocinar el quemador para evitar que se oxide excesivamente.
5. Si va a guardar la parrilla en interiores, desconecte el tanque de gas propano líquido de acuerdo con las instrucciones descritas en la sección "Desconectar el tanque de gas propano líquido".
6. Coloque la tapa protectora y la cubierta en el tanque de gas propano líquido y guarde el tanque en exteriores en un área con buena ventilación y en donde no le caiga la luz solar directamente.
7. Si va a guardar la parrilla en exteriores, cubra la parrilla con una cubierta para parrilla para protegerla contra las inclemencias del tiempo.

### Gas propano

### Antes de almacenar

10. Limpie cualquier orificio que encuentre tapado con un alambre rígido, tal como un sujetapapeles abierto.
11. Examine el quemador para detectar daños como rajaduras o huecos. Si encuentra algún daño reemplace el quemador con un quemador nuevo del fabricante.
12. Vuelva a instalar el quemador. Vuelva a conectar el encendedor (si aplicable) y coloque nuevamente el resguardo contra el viento y el regulador.
13. Vuelva a colocar la placa de distribución de calor y la rejilla de cocción.
14. Conecte el tanque de propano de acuerdo con las instrucciones descritas en la sección "Conectar el tanque de gas propano líquido."
15. Haga una prueba de fugas de acuerdo con las instrucciones "Detección de fugas".

## Limpeza y cuidado (continuación)

### Registro del producto

Para beneficiar del servicio de garantía más rápidamente, sírvase registrar su unidad inmediatamente llamando al 1.800.694.0013.

### Piezas de repuesto

Puede encontrar piezas de repuesto en llame al 1.800.694.0013.





## Instrucciones de operación (continuación)

### Funcionamiento de la parrilla a carbón de leña

#### Encendido

- ▲ **ADVERTENCIA:** NUNCA utilice la parrilla a gas para encender carbón a leña.
- ▲ **ADVERTENCIA:** NUNCA utilice el encendido para encender carbón a leña.
- ▲ **ADVERTENCIA:** Siempre desconecte y guarde correctamente el tanque de gas propano antes de utilizar el producto como parrilla a carbón de leña.

- ▲ **ADVERTENCIA:** Siempre limpie la parrilla al cambiar de carbón de leña a gas. Asegúrese que las entradas de los quemadores estén limpias y sin residuos ni cenizas.
- ▲ **ADVERTENCIA:** NUNCA utilice como parrilla a gas propano y parrilla a carbón de leña al mismo tiempo.
- ▲ **PRECAUCIÓN:** Mantenga el área del aparato de cocción para exteriores limpia y libre de materiales combustibles, gasolina y otros líquidos y vapores inflamables.
- ▲ **PRECAUCIÓN:** No obstruya el flujo de ventilación y combustión.
- ▲ **PRECAUCIÓN:** Revise y limpie el quemador/tubos ventura para eliminar los insectos y nidos de insectos. Un tubo obstruido puede causar un incendio debajo de la parrilla.
- ▲ **PRECAUCIÓN:** No trate de encender el quemador con la tapa cerrada ya que puede causar una explosión.
- ▲ **PRECAUCIÓN:** Siempre abra las patas completamente y fíjelas en su lugar antes de abrir la tapa o encender la parrilla.
- 1. Abra la tapa.
- 2. Asegúrese de que no hay nada que obstruya el flujo de aire en la unidad de gas. Arañas y otros insectos pueden formar sus nidos dentro y obstruir los orificios del quemador/tubo de venturi. Un tubo de quemador obstruido puede provocar un incendio.
- 3. Conecte el tanque de gas propano líquido siguiendo las instrucciones descritas en la sección "Conectar el tanque de gas propano líquido".
- 4. Prestione y haga girar la perilla de control hacia ⬆ (alto).
- 5. Oprima el botón del encendedor varias veces (3 o 4 veces) para encender el quemador.
- 6. Si el quemador no se enciende en 5 segundos, gire la perilla de control del quemador a la posición "⬆ APAGADO", espere 5 minutos y vuelva a repetir el procedimiento de encendido.
- 7. En caso de que el encendedor no encienda el quemador, use una cerilla encendida para encender el quemador manualmente.
- 8. Después de encender el quemador observe su llama y asegúrese de que todos los orificios estén encendidos y que la altura de la llama corresponda a la del diagrama (vea Figura 7).

### Funcionamiento de la parrilla a gas propano

#### Encendido

- 1. Verifique que todos los empaques, etiquetas y envolturas de protección han sido removidos de la parrilla.
- 2. Retire todo aceite de fabricación que encuentre en la unidad antes de usar la parrilla por primera vez, encendiendo la parrilla por lo menos por 15 minutos en la graduación ⬆ (alto), con la tapa cerrada. Esto realizará una "limpieza por calor" en las piezas internas de la unidad y hará que los olores se disipen.

- ▲ **ADVERTENCIA:** Siempre limpie la parrilla al cambiar de carbón de leña a gas. Asegúrese que las entradas de los quemadores estén limpias y sin residuos ni cenizas.
- ▲ **ADVERTENCIA:** NUNCA utilice como parrilla a gas propano y parrilla a carbón de leña al mismo tiempo.
- ▲ **PRECAUCIÓN:** Mantenga el área del aparato de cocción para exteriores limpia y libre de materiales combustibles, gasolina y otros líquidos y vapores inflamables.
- ▲ **PRECAUCIÓN:** No obstruya el flujo de ventilación y combustión.
- ▲ **PRECAUCIÓN:** Revise y limpie el quemador/tubos ventura para eliminar los insectos y nidos de insectos. Un tubo obstruido puede causar un incendio debajo de la parrilla.
- ▲ **PRECAUCIÓN:** No trate de encender el quemador con la tapa cerrada ya que puede causar una explosión.
- ▲ **PRECAUCIÓN:** Siempre abra las patas completamente y fíjelas en su lugar antes de abrir la tapa o encender la parrilla.
- 1. Abra la tapa.
- 2. Asegúrese de que no hay nada que obstruya el flujo de aire en la unidad de gas. Arañas y otros insectos pueden formar sus nidos dentro y obstruir los orificios del quemador/tubo de venturi. Un tubo de quemador obstruido puede provocar un incendio.
- 3. Conecte el tanque de gas propano líquido siguiendo las instrucciones descritas en la sección "Conectar el tanque de gas propano líquido".
- 4. Prestione y haga girar la perilla de control hacia ⬆ (alto).
- 5. Oprima el botón del encendedor varias veces (3 o 4 veces) para encender el quemador.
- 6. Si el quemador no se enciende en 5 segundos, gire la perilla de control del quemador a la posición "⬆ APAGADO", espere 5 minutos y vuelva a repetir el procedimiento de encendido.
- 7. En caso de que el encendedor no encienda el quemador, use una cerilla encendida para encender el quemador manualmente.
- 8. Después de encender el quemador observe su llama y asegúrese de que todos los orificios estén encendidos y que la altura de la llama corresponda a la del diagrama (vea Figura 7).

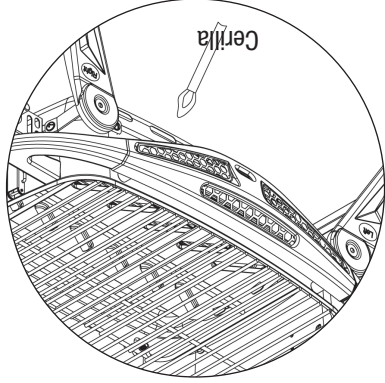


Figura 6

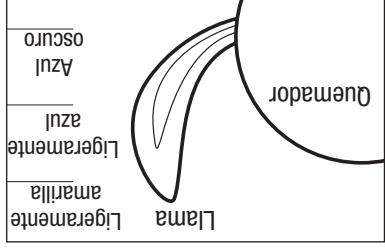


Figura 7

- a. Gane acceso al quemador por el agujero del fondo de la carcasa como se ilustra (vea Figura 6).
- b. Gire la perilla de control del quemador a la posición ⬆ (bajo) y acerque la cerilla encendida por el costado del quemador.
- 8. Después de encender el quemador observe su llama y asegúrese de que todos los orificios estén encendidos y que la altura de la llama corresponda a la del diagrama (vea Figura 7).
- ▲ **PRECAUCIÓN:** Si la llama del quemador se apaga durante el funcionamiento, cierre el gas inmediatamente girando la perilla de control del quemador a la posición "⬆ APAGADO" y abra la tapa durante 5 minutos para dejar que la zona quede despejada de gas antes de volver a encenderlo.

#### Apagado:

- 1. Gire la perilla de control del quemador a la posición "⬆ APAGADO". Vea la Figura 2.
- 2. Desconecte el tanque de propano de acuerdo con las instrucciones "Desconectar el tanque de gas propano líquido" y guárdelo en un lugar apropiado.

#### Cocción

- ▲ **PRECAUCIÓN:** No deje la parrilla sin supervisión al precalentar o quemar residuos de alimentos con la perilla en la posición ⬆ (alto). Si la parrilla no ha sido limpiada, puede incendiarse la grasa y dañar la parrilla.
- 1. Abra la tapa y encienda el quemador siguiendo las instrucciones de encendido.
- 2. Cierre la tapa y haga un calentamiento previo de la parrilla en la graduación ⬆ (alto).
- 3. Ajuste la perilla del regulador a la altura de llama deseada.
- 4. Levante la tapa y use guantes de protección y tenacillas de mango largo para colocar los alimentos en las rejillas de cocción sobre los quemadores encendidos.
- 5. Con la tapa abierta o cerrada haga la cocción de los alimentos hasta que la temperatura interna del alimento se haya alcanzado.
- 6. Apague la parrilla de acuerdo con las instrucciones de apagado.

### Control de las llamaradas cuando se utiliza gas propano o carbón de leña.

#### Apagado

- 1. Deje que el carbón de leña se extinga por sí mismo.
- ▲ **ADVERTENCIA:** NO utilice agua para apagarlo. Puede resultar peligroso y provocar daños.
- 2. Arroje las cenizas en el lugar indicado.

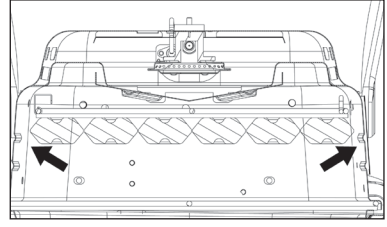


Figura 8

- 1. Abra la tapa y los ventos.
- 2. Asegúrese que la carcasa se encuentre vacía.
- 3. Retire la rejilla de cocción.
- 4. Disponga las briquetas de carbón de leña o la materia combustible en la rejilla para carbón hasta la línea "Fill Line" (línea de llenado). Vea la Figura 8.
- 5. Proceda al encendido siguiendo las instrucciones del envase de combustible.
- 6. Deje que transcurra el tiempo suficiente para que los carbonos adquieran calor y se enciendan antes de proceder con la cocción.

### NO agregue más de 2,2 libras de carbón de leña.

- ▲ **PRECAUCIÓN:** Si intenta encender la parrilla con la tapa cerrada puede causar una explosión.
- ▲ **PRECAUCIÓN:** Cuando utilice un encendedor líquido, siempre verifique al recipiente inferior antes de proceder al encendido. Es posible que se haya acumulado líquido en el recipiente inferior que puede encenderse y generar fuego.
- ▲ **PRECAUCIÓN:** Nunca agregue líquido encendedor a carbonos calientes o tibios ya que se pueden encender y generar lesiones o daños a la propiedad.
- ▲ **NO agregue más de 2,2 libras de carbón de leña.**

- ▲ **PRECAUCIÓN:** NUNCA utilice carbón de leña pretreatado con líquido encendedor. Utilice solo carbón de leña, mezcla de carbón de leña/leña, carbón de leña en trozos o madera para cocinar puros, de gran calidad.
- ▲ **PRECAUCIÓN:** Mantenga la superficie de cocción en exteriores libre de materiales combustibles, gasolina y cualquier otros vapores o líquidos inflamables.
- ▲ **PRECAUCIÓN:** Asegúrese de que los orificios de venteo no estén ocluidos con residuos ni cenizas antes de comenzar a utilizar la parrilla.

- ▲ **PRECAUCIÓN:** Si intenta encender la parrilla con la tapa cerrada puede causar una explosión.

- ▲ **PRECAUCIÓN:** Cuando utilice un encendedor líquido, siempre verifique al recipiente inferior antes de proceder al encendido. Es posible que se haya acumulado líquido en el recipiente inferior que puede encenderse y generar fuego.
- ▲ **PRECAUCIÓN:** Nunca agregue líquido encendedor a carbonos calientes o tibios ya que se pueden encender y generar lesiones o daños a la propiedad.

- 6. Deje que transcurra el tiempo suficiente para que los carbonos adquieran calor y se enciendan antes de proceder con la cocción.

- 7. En caso de que el encendedor no encienda el quemador, use una cerilla encendida para encender el quemador manualmente.

- 8. Después de encender el quemador observe su llama y asegúrese de que todos los orificios estén encendidos y que la altura de la llama corresponda a la del diagrama (vea Figura 7).

- 9. Después de encender el quemador observe su llama y asegúrese de que todos los orificios estén encendidos y que la altura de la llama corresponda a la del diagrama (vea Figura 7).

- 10. Después de encender el quemador observe su llama y asegúrese de que todos los orificios estén encendidos y que la altura de la llama corresponda a la del diagrama (vea Figura 7).

- 11. Después de encender el quemador observe su llama y asegúrese de que todos los orificios estén encendidos y que la altura de la llama corresponda a la del diagrama (vea Figura 7).

- 12. Después de encender el quemador observe su llama y asegúrese de que todos los orificios estén encendidos y que la altura de la llama corresponda a la del diagrama (vea Figura 7).

- 13. Después de encender el quemador observe su llama y asegúrese de que todos los orificios estén encendidos y que la altura de la llama corresponda a la del diagrama (vea Figura 7).

- 14. Después de encender el quemador observe su llama y asegúrese de que todos los orificios estén encendidos y que la altura de la llama corresponda a la del diagrama (vea Figura 7).

- 15. Después de encender el quemador observe su llama y asegúrese de que todos los orificios estén encendidos y que la altura de la llama corresponda a la del diagrama (vea Figura 7).

- 16. Después de encender el quemador observe su llama y asegúrese de que todos los orificios estén encendidos y que la altura de la llama corresponda a la del diagrama (vea Figura 7).

- 17. Después de encender el quemador observe su llama y asegúrese de que todos los orificios estén encendidos y que la altura de la llama corresponda a la del diagrama (vea Figura 7).

- 18. Después de encender el quemador observe su llama y asegúrese de que todos los orificios estén encendidos y que la altura de la llama corresponda a la del diagrama (vea Figura 7).

- 19. Después de encender el quemador observe su llama y asegúrese de que todos los orificios estén encendidos y que la altura de la llama corresponda a la del diagrama (vea Figura 7).

- 20. Después de encender el quemador observe su llama y asegúrese de que todos los orificios estén encendidos y que la altura de la llama corresponda a la del diagrama (vea Figura 7).

- 21. Después de encender el quemador observe su llama y asegúrese de que todos los orificios estén encendidos y que la altura de la llama corresponda a la del diagrama (vea Figura 7).

- 22. Después de encender el quemador observe su llama y asegúrese de que todos los orificios estén encendidos y que la altura de la llama corresponda a la del diagrama (vea Figura 7).

- 23. Después de encender el quemador observe su llama y asegúrese de que todos los orificios estén encendidos y que la altura de la llama corresponda a la del diagrama (vea Figura 7).

- 24. Después de encender el quemador observe su llama y asegúrese de que todos los orificios estén encendidos y que la altura de la llama corresponda a la del diagrama (vea Figura 7).

- 25. Después de encender el quemador observe su llama y asegúrese de que todos los orificios estén encendidos y que la altura de la llama corresponda a la del diagrama (vea Figura 7).

- 26. Después de encender el quemador observe su llama y asegúrese de que todos los orificios estén encendidos y que la altura de la llama corresponda a la del diagrama (vea Figura 7).

- 27. Después de encender el quemador observe su llama y asegúrese de que todos los orificios estén encendidos y que la altura de la llama corresponda a la del diagrama (vea Figura 7).

- 28. Después de encender el quemador observe su llama y asegúrese de que todos los orificios estén encendidos y que la altura de la llama corresponda a la del diagrama (vea Figura 7).

- 29. Después de encender el quemador observe su llama y asegúrese de que todos los orificios estén encendidos y que la altura de la llama corresponda a la del diagrama (vea Figura 7).

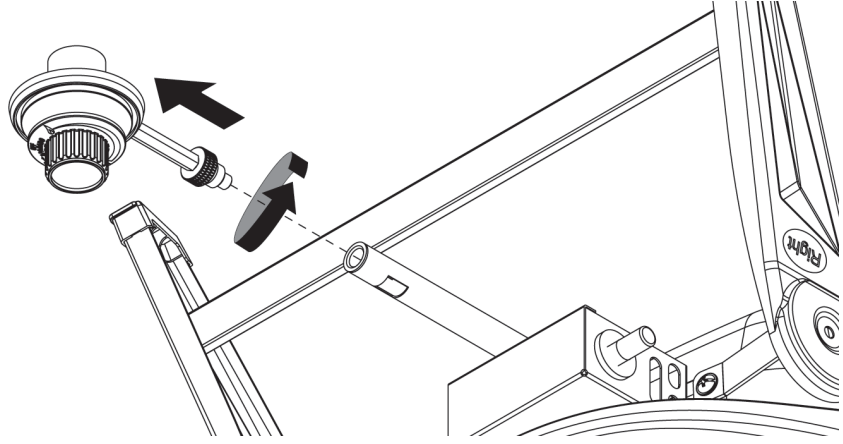
- 30. Después de encender el quemador observe su llama y asegúrese de que todos los orificios estén encendidos y que la altura de la llama corresponda a la del diagrama (vea Figura 7).

- 31. Después de encender el quemador observe su llama y asegúrese de que todos los orificios estén encendidos y que la altura de la llama corresponda a la del diagrama (vea Figura 7).

- 32. Después de encender el quemador observe su llama y asegúrese de que todos los orificios estén encendidos y que la altura de la llama corresponda a la del diagrama (vea Figura 7).

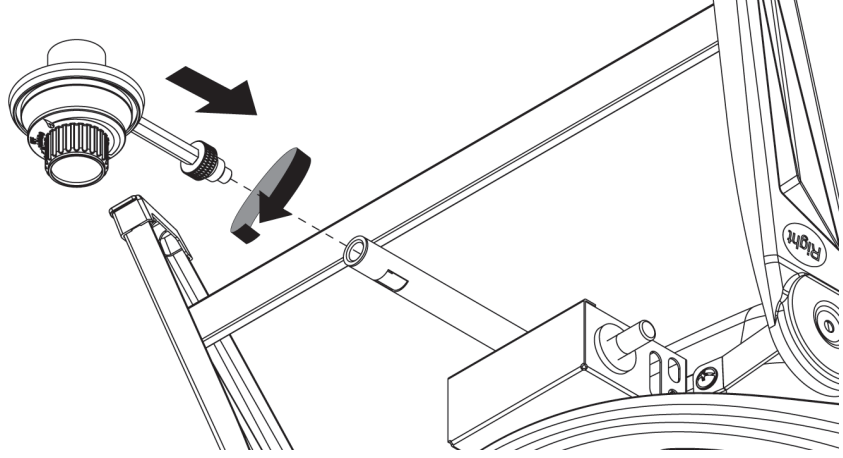
**Antes de transportar la parrilla**

Nota: Retire el regulador y su perilla de control antes de transportar la parrilla.



**Antes de usar la parrilla**

- ▲ **PRECAUCIÓN:** Siempre instale el regulador y su perilla de control antes de usar.
- ▲ **PRECAUCIÓN:** Lleve a cabo una prueba de fugas según se indica en la sección "Detección de fugas".



Cuando ella utilizar gas propano, esta parrilla ha sido diseñada para funcionar con un tanque de propano de una libra (aprox. 450 g) (cilindro DOT 39), de 7,75 pulg. (19,7 cm) o 10,6 pulg. (26,9 cm) de altura, desechable, de 14,1 o 16,4 onzas (ver Figura 1).

**!NO TRATE DE LLENAR TANQUES DE PROPANO DE UNA LIBRA (14,1 onzas/16,4 onzas)!**

**Conectar el tanque de gas propano líquido**

Use únicamente tanques de gas marcados "propano."

Nota: Algunos tanques de gas de 1 libra (aprox. 450 g) pueden formar "escarcha" cuando están casi vacíos.

1. Asegúrese de que la perilla de control del regulador esté a la posición "APAGADO" vea la Figura 2.

2. Lubrique la rosca de la perilla de control del regulador con vaselina de petróleo. Alinee la rosca del tanque de propano con la perilla de control del regulador.

3. Inserte y gire el tanque de gas propano líquido en el sentido de las manecillas del reloj hasta que encaje firmemente. APRIETE A MANO SOLAMENTE. Tenga cuidado de no dañar la rosca al apretarlo en el tanque (vea Figura 3).
4. Haga una prueba de fugas. Vea la sección "Inspección de fugas."

**Desconecte el tanque de gas propano líquido**

1. Gire la perilla de control del regulador a la posición "APAGADO", vea Figura 2.
2. Gire el tanque de gas propano líquido en sentido contrario a las manecillas del reloj, hasta que se almacene el tanque de gas propano líquido en un lugar adecuado.

**Instrucciones de operación**

**Detección de fugas**

**Conexiones del quemador**

1. Asegúrese de conectar adecuadamente la perilla de control del regulador al quemador.

Nota: La tuerca de latón debe girarse ¼ a ½ vuelta una vez apretada. El regulador girará 360° aunque la tuerca de latón esté apretada. Si alguien armó la unidad para usted, verifique visualmente la conexión entre el tubo del quemador y la perilla de control del regulador (vea Figura 5).

▲ **ADVERTENCIA:** El no inspeccionar esta conexión o seguir debidamente estas instrucciones puede causar incendio o explosión ocasionando muerte, graves lesiones o daños a la propiedad.

2. Si el quemador y la perilla de control del quemador no encajen correctamente o si tiene preguntas, llame al 1.800.694.0013 para solicitar asistencia técnica.

1. Prepare unos 80 ml de solución para comprobar si hay fugas mezclando una parte de jabón líquido para lavar platos y tres partes de agua.

2. Asegúrese de que la perilla de control del regulador está en la posición "APAGADO" vea la Figura 2.
3. Vierta solución de detección de fugas en todas las ubicaciones marcadas con "X" (vea la Figura 5).

- a. Si aparecen burbujas, retire el tanque de propano, vuelva a conectar el tanque y verifique que la conexión está segura.

- b. Si sigue observando burbujas después de varios intentos, desconecte el tanque de propano de acuerdo con las instrucciones "Desconectar el tanque de gas propano líquido" y llame al número de teléfono 1.800.694.0013 para solicitar asistencia técnica.

- c. Si no aparecen burbujas por un lapso de un minuto, cierre el gas girando la perilla del regulador "APAGADO" y limpie la solución para continuar el proceso.

**Conexión de la línea de gas y del tanque**

2. Si el quemador y la perilla de control del quemador no encajen correctamente o si tiene preguntas, llame al 1.800.694.0013 para solicitar asistencia técnica.



Figura 5



Figura 4



Figura 3



Figura 2



Figura 1

**Instalación del tanque de gas propano líquido (PL)**

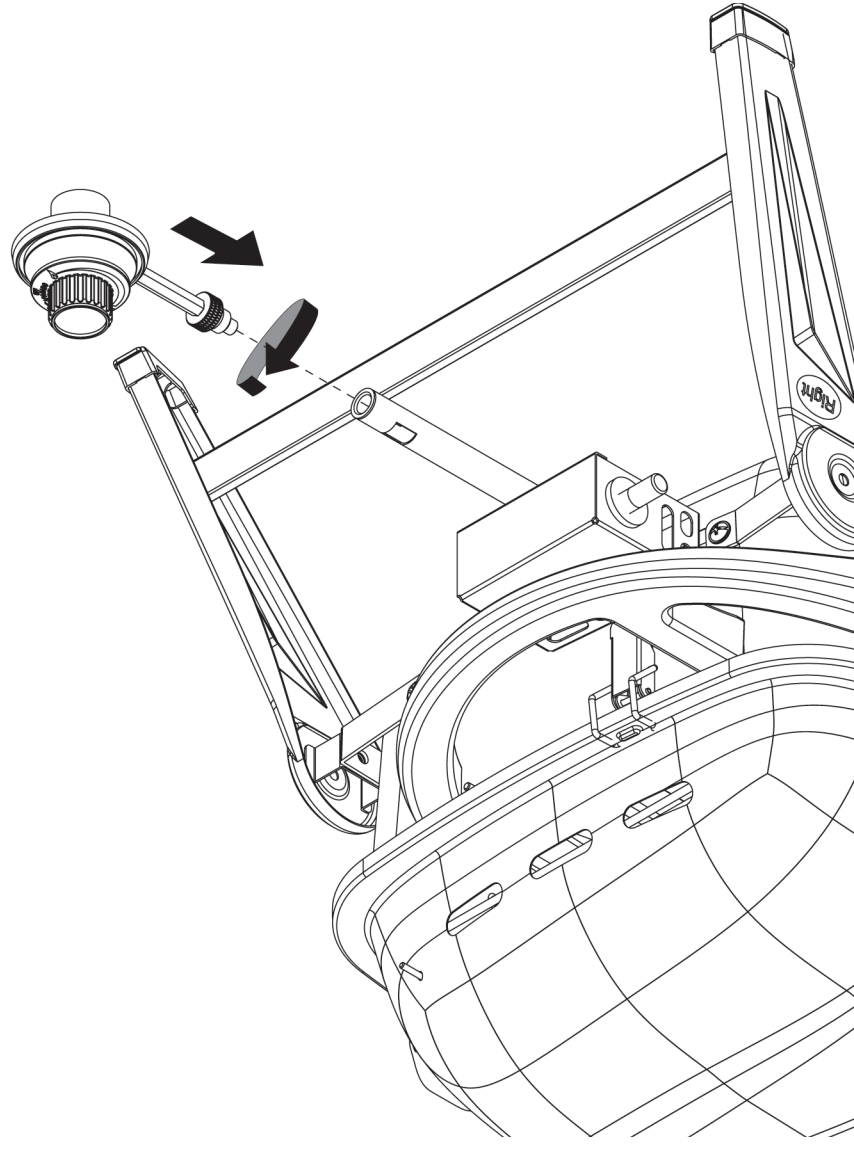




**Instrucciones de armado (continuación)**

**9 Acople el conjunto de regulador y perilla de control**

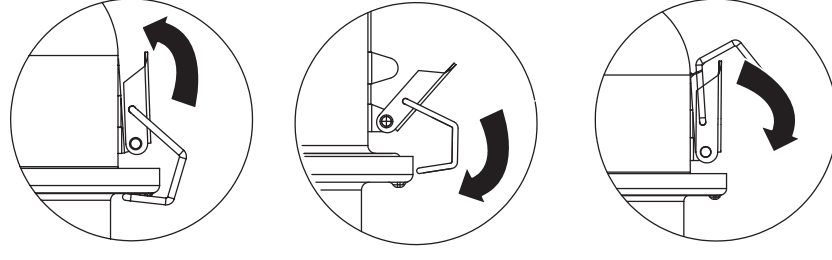
Nota: Una vez fijado, el conjunto de regulador y perilla de control puede girar libremente para acomodar el tanque de gas propano líquido.



**9**

**Para cerrar la tapa con el seguro**

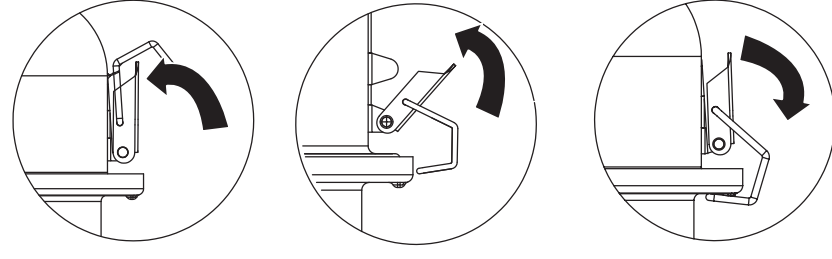
Nota: Cierre la tapa con seguro antes de transportar la parrilla.



**11**

**Para abrir el seguro de la tapa**

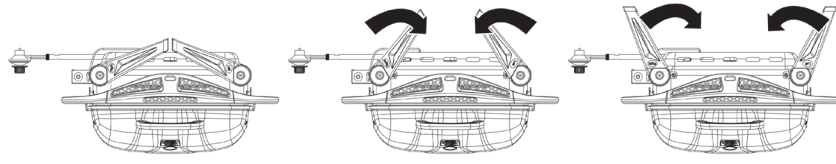
Nota: Siempre abra el seguro de la tapa, levante la tapa y déjela abierta antes de encender la parrilla.



**12**

**Para plegar las patasa**

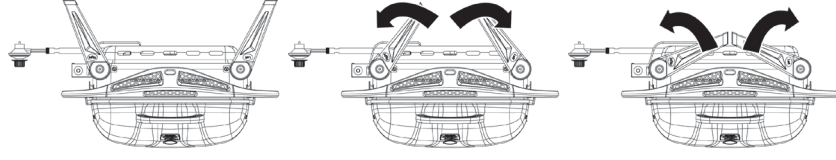
Nota: Cierre siempre la tapa antes de plegar las patasa.



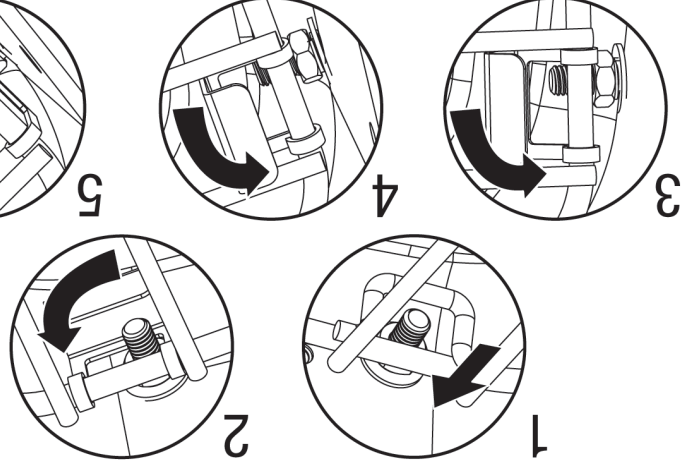
**10**

**Para las patasa**

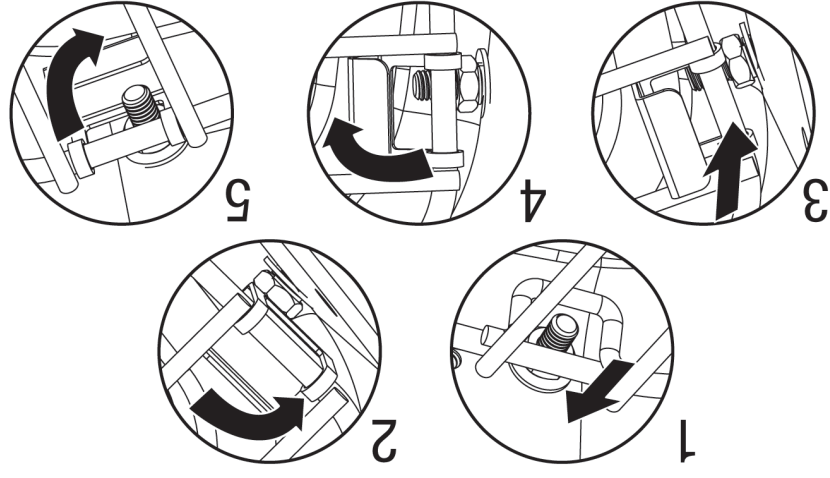
Nota: Abra siempre las patasa completamente y verifique que han quedado aseguradas en su lugar antes de encender la unidad.



**Para retirar la rejilla del carbón**



**Para insertar la rejilla del carbón**





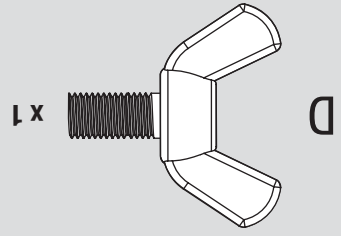
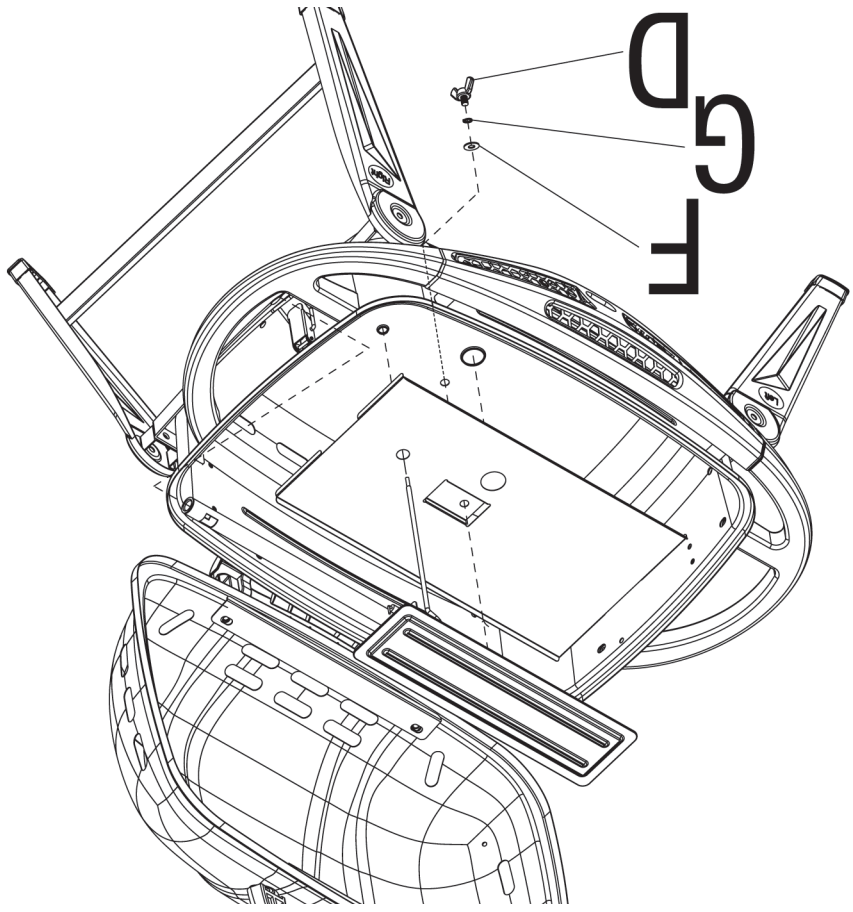
**?Necesita ayuda? Llame al 1.800.694.0013.**

**No vuelva al lugar de compra.**

**Para piezas de repuesto**  
**1.800.694.0013**

**5**

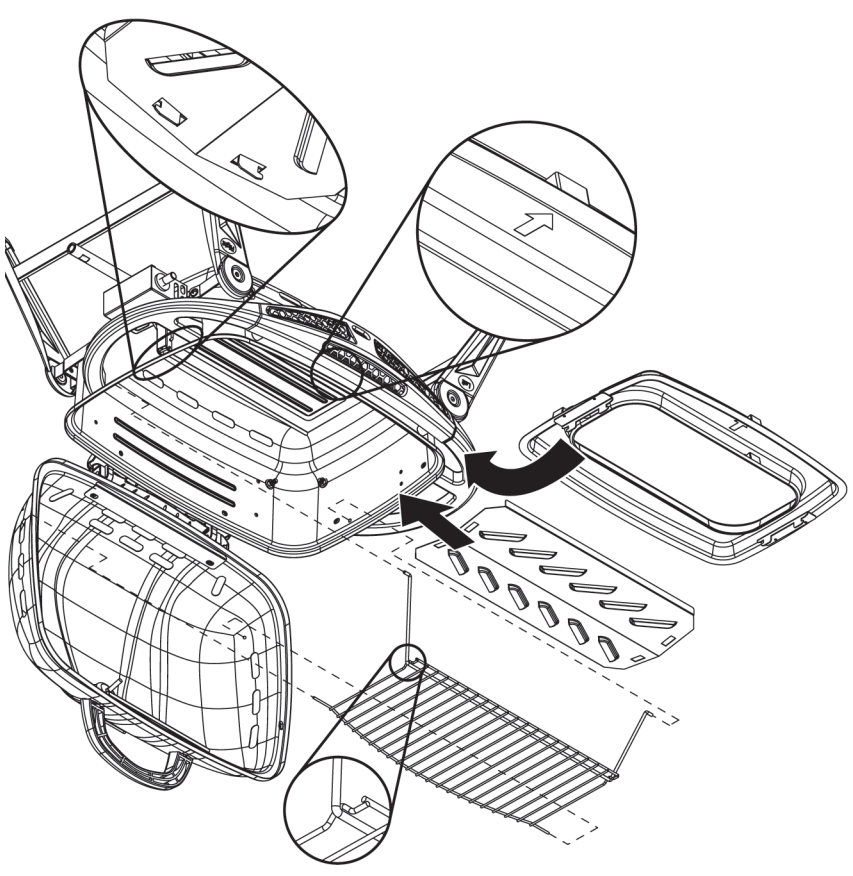
**Acople el protector contra el calor y el quemador a la carcasa de la parrilla**



**7**

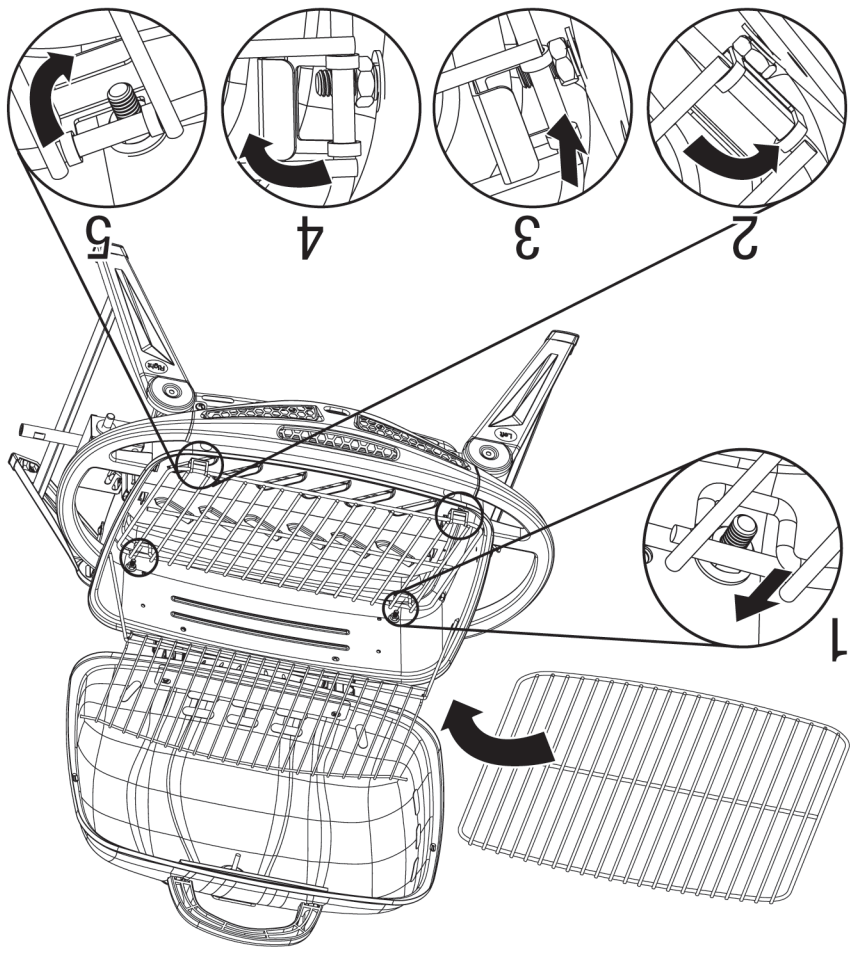
**Coloque el recogedor de ceniza, la placa de calentamiento de calor y la rejilla de distribución**

*Nota: La flecha del recogedor de ceniza debe apuntar hacia el frente de parrilla*



**8**

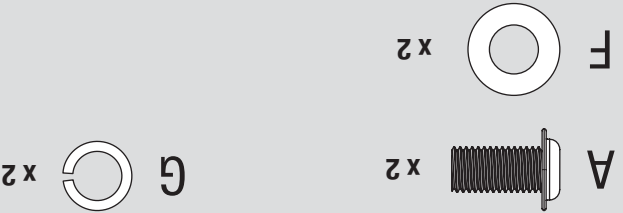
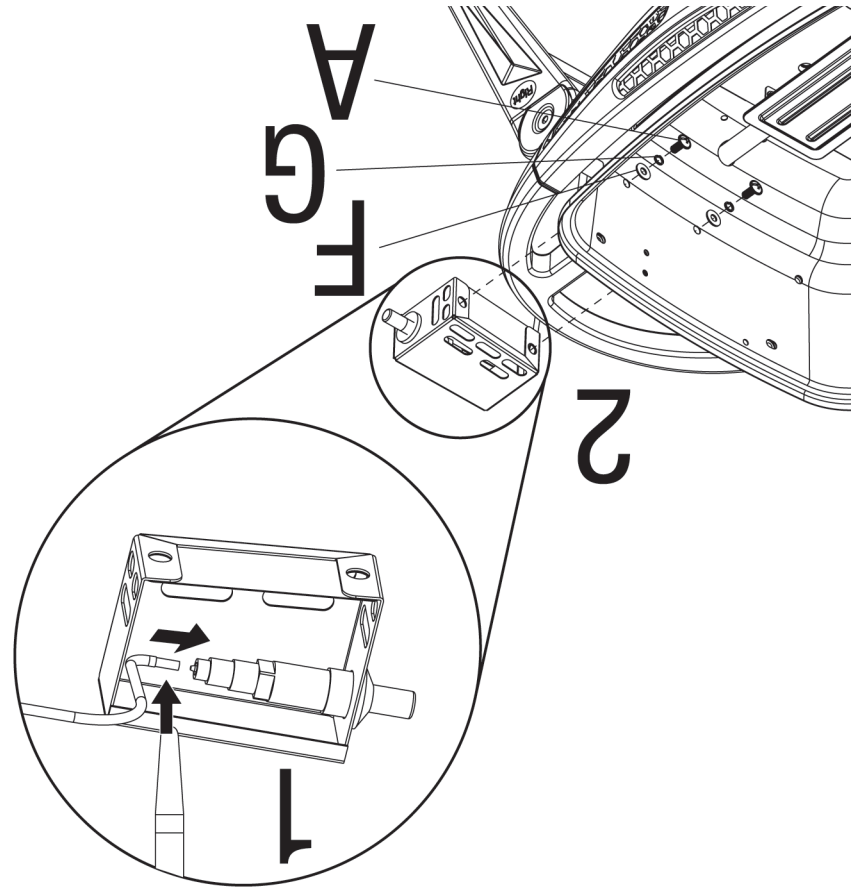
**Coloque la rejilla para el carbón y la rejilla de cocción**



**6**

**Acople el encendedor y su cable**

*Consejo: Use los alicates de punta para acoplar el cable del encendedor al encendedor*





**NO DEVUELVA EL PRODUCTO AL LUGAR DE**

**COMPRA.**

Si necesita ayuda llame, sin cargo, al 1.800.694.0013. Por favor tenga a mano su manual y el model no. de la unidad, para referencia.  
Nota: El número del modelo se encuentra en la parte trasera de la parrilla.

Para facilitar el armado:

1. Elija el lugar en el que armará este producto. Para proteger los componentes, elija una superficie lisa, sin fisuras ni hendijas.

2. Presente todas las piezas.

3. Ajuste todas las conexiones de los elementos de ferreteria, primero en forma manual. Luego, después de completar cada paso, ajústelos por completo. Tenga cuidado de no ajustar demasiado. Se podrían dañar las superficies o forzar las roscas.

4. Para obtener mejores resultados, siga todos los pasos en el orden indicado.

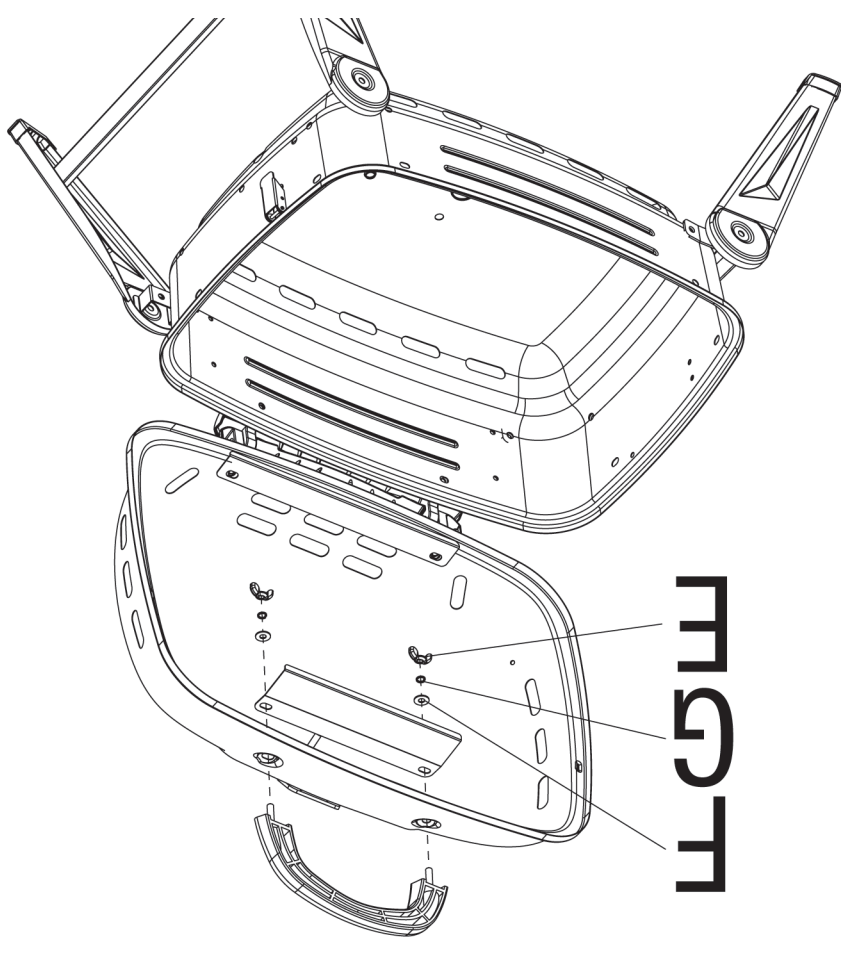
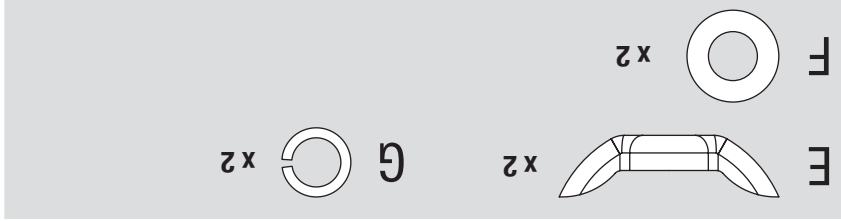
Una vez armada, necesitará:

- una (1) solución para detección de fugas. Las instrucciones sobre cómo preparar esta solución se encuentran en la sección "Instrucciones de operación."

- un (1) tanque de propano de 14,1 onzas o un (1) tanque de 16,4 onzas (1 libra ó aprox 450 g) (non incluidas)
- (1) Una bolsa de carbón de leña (no incluida)

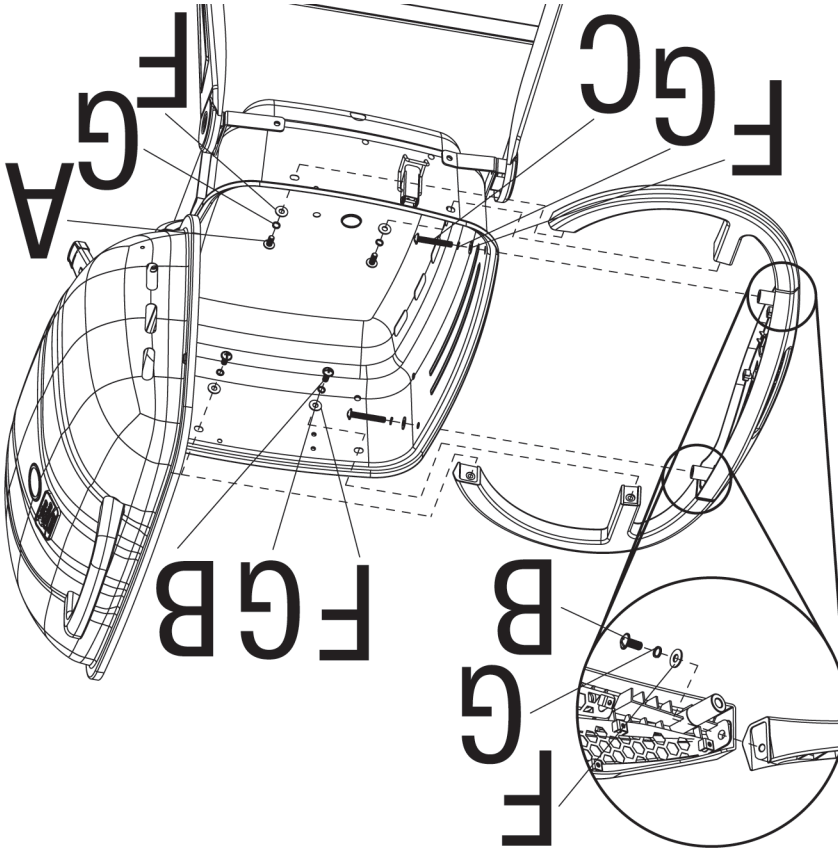
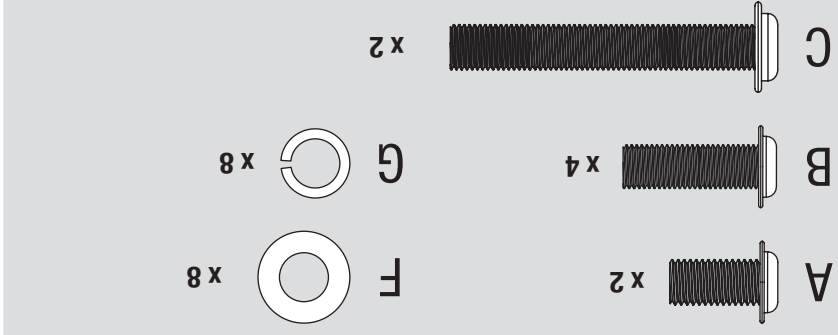
Tiempo de armado estimado: 30 minutos.

**1**



Acople la manija de la tapa y el apoyo de enganche A de la rejilla de cocción

**3**



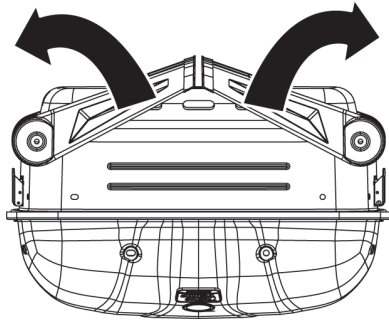
Acople el soporte de las manijas laterales

**4**

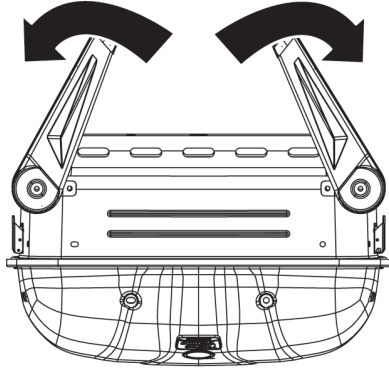
**2**

**Para las patas**

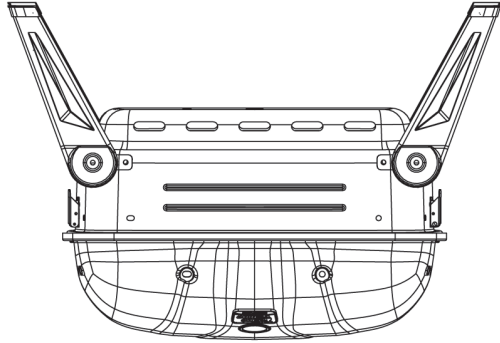
Nota: Abra siempre las patas completamente y verifique que han quedado aseguradas en su lugar antes de encender la unidad.



**1**



**2**



**3**



**? Necesita ayuda? Llame al 1.800.694.0013.**

**No vuelva al lugar de compra.**

**Para piezas de repuesto  
1.800.694.0013**

**Lista de piezas**

**Despiece**

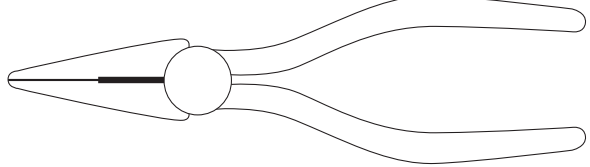
1	Rejilla de calentamiento	G1724-010
2	Manija de la tapa	G1724-020
3	Apoyo de enganche A de la rejilla de cocción*	G1724-030
4	Placa de la marca*	G1724-040
5	Indicador de temperatura*	B0104-F06
6	SopORTE del indicador de temperatura*	G1724-050
7	Rejilla de cocción	G1724-060
8	Tapa*	G1724-070
9	Rejilla para el carbón	G1724-080
10	Apoyo de enganche B de la rejilla de cocción*	G1724-090
11	Bisagra*	G1724-100
12	Seguro (2)*	B0107-H08
13	Carcasa*	G1724-110
14	Placa de distribución de calor	G1724-120
15	Conjunto de patas izquierdas*	G1724-130
16	Conjunto de patas derechas*	G1724-140
17	Pata A (2)*	G1724-150
18	Pata B (2)*	G1724-160
19	Recogedor de ceniza	G1724-170
20	Quemador	G1724-180
21	Cable del encendedor*	G1724-190
22	Tapa del encendedor	G1724-200
23	Perilla del encendedor*	B0217-H08
24	Manija izquierda	G1724-210
25	Manija derecha	G1724-220
26	SopORTE frontal de las manijas	G1724-230
27	Protector contra el calor de la carcasa	G1724-240
28	Regulador y perilla de control	B0308-C03

\* Viene previamente ensamblado

**Elementos de ferretería**

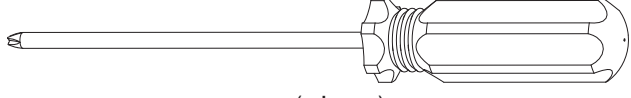
A	Tornillo	Niquelado, de cabeza Phillips abombada, M6x12	4 pzs
B	Tornillo	Niquelado, de cabeza Phillips abombada, M6x15	4 pzs
C	Tornillo	Niquelado, de cabeza Phillips abombada, M6x40	2 pzs
D	Perno de mariposa	Niquelado, M6x12	1 pz
E	Tuerca de mariposa	Niquelada, M6	2 pzs
F	Arandela	Niquelada, ø6,4	13 pzs
G	Arandela de cierre	Niquelada, ø6,5	13 pzs

Alicates de punta



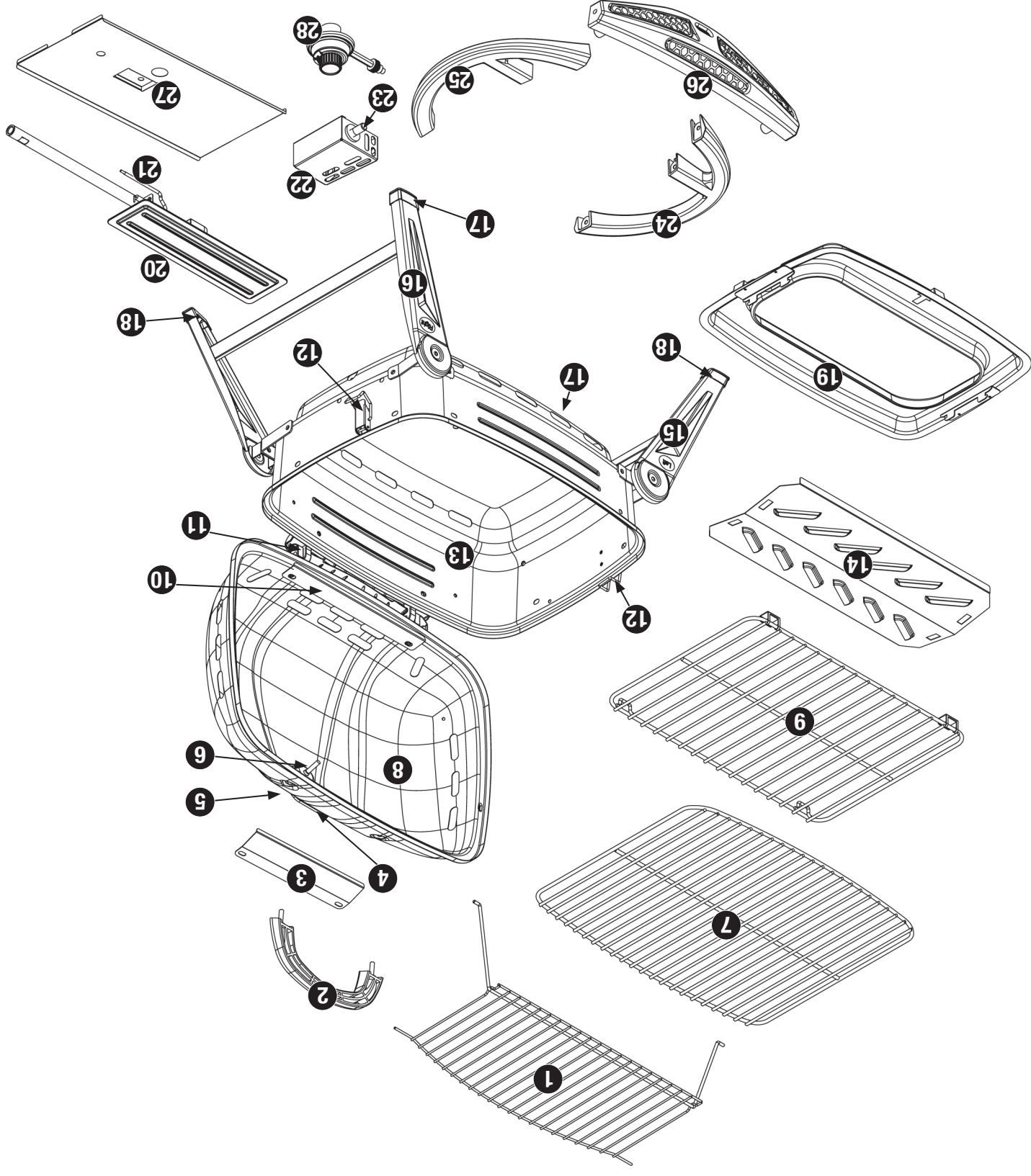
1 pz

Destornillador en cruz (Phillips) no. 2



1 pz

**Herramientas necesarias para el armado (no incluidas)**







## Parrilla a gas propano y a carbón para exteriores, modelo no. GBT1709LR

### Salvaguardias importantes - Charbon

**▲ PELIGRO:** El no seguir los avisos de peligro, las advertencias y las precauciones de este manual, puede ocasionar un incendio o una explosión, con sus consecuentes daños a la propiedad, lesiones personales y hasta accidentes fatales.

### ▲ ADVERTENCIAS:

- ▲ Esta parrilla es para ser usada al aire libre únicamente y no debe usarse en un edificio, garaje o cualquier otra área cerrada.
- ▲ NO opere, encienda o use esta unidad a menos de 10 pies (3 m) de paredes estructuras o edificaciones.
- ▲ Para uso residencial únicamente. Esta parrilla NO ha sido diseñada para uso comercial.
- ▲ Nunca use carbón previamente tratado con líquido para encenderlo. Use solo carbón corriente de alta calidad, mezcla de carbón y madera, carbón en trozos o madera para cocinar. La conversión a otra fuente de combustible o cualquier intento de usarla en esta parrilla a carbón representa un peligro e invalidará la garantía.
- ▲ Esta parrilla no ha sido diseñada como calentador y nunca se la debe utilizar como tal. Gases TÓXICOS pueden acumularse y provocar la asfixia.
- ▲ NO use la parrilla para cocinar adentro. Los gases TÓXICOS de monóxido de carbono pueden acumularse y provocar la asfixia.
- ▲ Esta parrilla tiene certificación de seguridad para uso en los Estados Unidos y/o Canadá solamente. No modifique la unidad para uso en otros lugares. La modificación causará un riesgo de seguridad y anulará la garantía.
- ▲ Habitantes de apartamentos: consulte con la administración para obtener información sobre los requisitos y códigos de incendio correspondiente al uso de parrillas para exteriores en su edificio de departamentos. Si están permitidas, úsela fuera de la vivienda sobre el piso con una separación de diez (10) pies (3 m) de cualquier construcción. No la utilice sobre balcones o debajo de los mismos.
- ▲ El espacio mínimo entre los laterales y la parte posterior de la unidad y la construcción combustible es de 36 pulgadas (92 cm). NO use esta parrilla debajo de aleros o bajo techo.
- ▲ NO utilice gasolina, queroseno o alcohol para encender la parrilla.
- ▲ NO utilice el equipo en una atmósfera explosiva. Mantenga la zona de la parrilla libre de materiales combustibles, gasolina y cualquier otro vapor o líquido inflamable.
- ▲ NO recaliente la parrilla ya que puede dañarla y generar un incendio o explosión que puede provocar la muerte, lesiones corporales graves o daños a la propiedad.
- ▲ NUNCA utilice piedras volcánicas, gasolina, queroseno o alcohol en este artículo.
- ▲ NO guarde o use gasolina u otros líquidos o vapores inflamables a menos de 25 pies (7,62 m) de esta unidad.
- ▲ Inspeccione la parrilla antes de cada uso.
- ▲ NO altere la parrilla de ninguna forma. Esto invalidará su garantía.
- ▲ NO instale este modelo de parrilla en ninguna construcción empotrada o que requiera deslizamiento interior. Ignorar esta advertencia podría provocar un incendio o una explosión y causar daños materiales así como lesiones corporales graves o la muerte.
- ▲ No utilice la parrilla a menos que esté COMPLETAMENTE montada y que todas las piezas estén bien fijadas y apretadas.
- ▲ Esta parrilla debe limpiarse y verificarse completamente de manera regular.
- ▲ Use únicamente piezas autorizadas de fábrica de RevoAce Inc. Limited. El uso de cualquier pieza no autorizada de fábrica puede ser peligroso. Su uso también invalidará su garantía.
- ▲ NO encienda esta unidad sin haber leído las instrucciones de “Operación” que se encuentran en este manual.
- ▲ NO toque las piezas de metal de la parrilla hasta que no se haya entrado completamente para evitar quemaduras, a menos que usted tenga puestos elementos de protección tales como guantes o almohadilla para las ollas, guantes de barbacoa, etc.
- ▲ Nunca toque rejillas (de carbón o de cocción), las cenizas o el carbón para determinar si están calientes.
- ▲ NO usar sobre terrazas de madera, muebles de madera o sobre cualquier otra una superficie combustible.
- ▲ NO instalar o utilizar en embarcaciones o vehículos de recreo.
- ▲ Coloque la parrilla de manera que el viento no lleve cenizas a superficies combustibles.
- ▲ NO utilice la parrilla si hace mucho viento.
- ▲ Nunca se apoye sobre la parrilla cuando la está encendiendo.
- ▲ NO deje una parrilla encendida sin vigilancia. Mantenga los niños y las mascotas lejos de la parrilla en todo momento.
- ▲ NO intente mover la parrilla mientras esté encendida. Deje que la parrilla se enfríe antes de moverla o guardarla.
- ▲ NO deje la parrilla sin supervisión al precalentar o quemar residuos de alimentos con la perrilla en la graduación más alta.
- ▲ Cuando esté cocinando, tenga fácilmente accesibles los elementos para extinguir un incendio. En caso de que la sustancia de freír se incendie no trate de extinguir el fuego con agua. Use un extinguidor de material químico seco tipo BC o ahogue el fuego con tierra, arena o soda de hornear.
- ▲ Abra siempre la tapa de la parrilla en forma cuidadosa y lentamente, pues el calor y el vapor que hay dentro de la parrilla pueden ocasionarle severas quemaduras.
- ▲ Si la parrilla no ha sido limpiada, puede incendiarse la grasa y dañar el producto.
- ▲ NO coloque los recipientes de cocción sobre el artefacto mientras está en funcionamiento.
- ▲ Tenga cuidado al colocar cosas sobre la parrilla cuando ésta se encuentre en funcionamiento.
- ▲ Nunca añada fluido para encender al carbón caliente o tibio ya que podría causar un brote de llamas y causar lesiones graves o daños materiales.
- ▲ Coloque siempre la parrilla sobre una superficie firme y nivelada que no sea combustible. Una superficie de asfalto o de pavimento puede que no sea adecuada para este propósito.
- ▲ NO quite las cenizas antes de que éstas se hayan completamente entrado y apagado.
- ▲ Briquetas y carbones encendidos pueden crear un riesgo de incendio. Siempre vacíe el recipiente para la ceniza y la parrilla después de haberlos usado.
- ▲ NO coloque materias combustibles (briquetas, madera o carbón de leña en bloque) directamente en el fondo de la parrilla. Coloque la materia combustible únicamente en la rejilla o bandeja para el carbón.
- ▲ NO permita que el carbón esté en contacto en las paredes de la parrilla. Esto reducirá considerablemente la vida útil del metal y el acabado de la parrilla.
- ▲ Verifique que las aberturas de ventilación están libres de ceniza o residuos antes de usar la parrilla y mientras la está usando.
- ▲ El carbón apagado y las cenizas deben colocarse a una distancia segura de todas las estructuras y materiales combustibles.
- ▲ Con una manguera de jardín, humedezca por completo la superficie debajo y alrededor de la parrilla para apagar las cenizas, carbón o brasas que puedan haberse caído durante el proceso de cocinado o limpieza.
- ▲ El uso de bebidas alcohólicas, medicamentos o drogas de farmacia puede afectar la habilidad del usuario para armar debidamente u operar en forma segura este aparato.
- ▲ Use siempre guantes de protección cuando vaya a agregar materia combustible (briquetas de carbón, leña o carbón de leña) para mantener el nivel de temperatura deseada.
- ▲ Mantenga todos los cables eléctricos lejos de una parrilla caliente.
- ▲ Use siempre un termómetro para carne para asegurar que la comida ha quedado cocida a la temperatura apropiada.
- ▲ Nunca cubra la totalidad del área de cocción con papel de aluminio. Por favor, use guantes de protección cuando esté armando este producto.
- ▲ NO trate de forzar las piezas juntas pues esto puede ocasionar lesiones o dañar el producto.
- ▲ NO toque el recipiente para la ceniza hasta que la parrilla se haya entrado completamente, a menos que esté usando elementos de protección.
- ▲ NO toque el regulador de aire ni su mango hasta que la parrilla se haya entrado completamente, a menos que esté usando elementos de protección.
- ▲ El no seguir exactamente las instrucciones dadas arriba puede producir daños a la propiedad, lesiones serias y hasta fatales.

## ? Necesita ayuda? Llame al 1.800.694.0013.

No vuelva al lugar de compra.

Para piezas de repuesto  
1.800.694.0013

- ▲ Esta parrilla debe limpiarse y verificarse completamente de manera regular. Limpie y revise la manguera antes de cada uso del aparato. Si detecta alguna señal de abrasión, desgaste, cortes o fugas, deberá sustituir la manguera antes poner en marcha el aparato.
- ▲ Utilice únicamente el regulador incluido. Utilice únicamente el regulador de repuesto especificado por RevOAce Inc. Limited
- ▲ NO trate de reparar ni alterar el regulador debido a algún "supuesto" defecto. Toda modificación a este ensamble anulará la garantía y creará el riesgo de fuga de gas e incendio. Use sólo piezas de repuesto autorizadas suministradas por el fabricante.
- ▲ Use únicamente piezas de repuesto autorizadas por RevOAce Inc. Limited El uso de cualquier pieza no autorizada de fábrica puede ser peligroso. Su uso invalida su garantía.
- ▲ No encienda esta unidad sin haber leído las instrucciones de operación que se encuentran en este manual.
- ▲ NO toque las piezas de metal de la parrilla hasta que no se haya entrado completamente para evitar quemaduras, a menos que usted tenga puestos elementos de protección tales como guantes o almohadilla para las ollas, guantes de barbacoa, etc.
- ▲ NO instale o utilice este artefacto en embarcaciones o vehículos recreativos (RV).
- ▲ NO use esta parrilla en la maletera de un vehículo, camioneta, camión liviano, minivan, vehículo utilitario deportivo (SUV).
- ▲ Cuando esté cocinado, tenga fácilmente accesibles los elementos para extinguir un incendio. En caso de que la sustancia de freír se incendie no trate de extinguir el fuego con agua. Use un extintor de material químico seco tipo BC o ahogue el fuego con tierra, arena o soda de hornear.
- ▲ Coloque las mangueras de gas lo más lejos posible de superficies calientes y grasa caliente.
- ▲ NO utilice la parrilla si hace mucho viento.
- ▲ Nunca se apoye sobre la parrilla cuando la está encendiendo.
- ▲ No deje una parrilla encendida sin vigilancia, especialmente, mantenga los niños y las mascotas lejos de la parrilla en todo momento.
- ▲ NO deje la parrilla sin supervisión al precalentar o quemar residuos de alimentos con la perilla en la graduación más alta. Si la parrilla no ha sido limpiada, puede incendiarse la grasa y dañar el producto.
- ▲ NO coloque los recipientes de cocción sobre el artefacto mientras está en funcionamiento.
- ▲ Tenga cuidado al colocar cosas sobre la parrilla cuando ésta se encuentre en funcionamiento.
- ▲ NO intente mover la parrilla mientras esté encendida. Deje que la parrilla se enfríe antes de moverla o guardarla.
- ▲ El tanque de gas propano líquido debe desconectarse correctamente y retirarse antes de mover esta parrilla.
- ▲ El almacenamiento de la parrilla en un espacio cerrado sólo está permitido si el tanque está desconectado, desmontado de la parrilla y guardado al aire libre.
- ▲ Siempre abra la tapa de la parrilla en forma cuidadosa y lentamente, pues el calor y el vapor que hay dentro de la parrilla pueden ocasionarle severas quemaduras.
- ▲ NO trate de desconectar el regulador de gas del tanque, o cualquier otro accesorio de la línea de gas, mientras esté usando la parrilla.
- ▲ Desconecte el tanque de gas cuando no lo esté utilizando.
- ▲ Coloque siempre la parrilla sobre una superficie firme, nivelada y no combustible. Una superficie de asfalto o de pavimento puede que no sea adecuada para este propósito.
- ▲ NO use la parrilla sobre plataformas o patios de madera.
- ▲ Mantenga todos los cables eléctricos lejos de una parrilla caliente.
- ▲ Después de un período de almacenamiento o de falta de uso de la unidad, verifique que no haya fugas u obstrucciones en el quemador.
- ▲ El no abrir la tapa cuando se están encendiendo el (los) quemador(es) de la parrilla, o el no esperar cinco minutos para permitir que el gas salga de la parrilla cuando el gas no se ha encendido, puede provocar una llamada explosiva.
- ▲ Nunca opere la parrilla antes de haber instalado la(s) placa(s) de distribución de calor.
- ▲ Use siempre un termómetro para carne para asegurar que la comida ha quedado cocida a la temperatura apropiada.
- ▲ Por favor, use guantes de protección cuando esté armando este producto.
- ▲ NO trate de forzar las piezas juntas pues esto puede ocasionar lesiones o dañar el artefacto.
- ▲ Nunca cubra la totalidad del área de cocción con papel de aluminio.
- ▲ Siempre limpie la parrilla al cambiar de carbón de leña a gas.
- ▲ El no seguir exactamente las instrucciones dadas arriba puede producir daños a la propiedad, lesiones serias y hasta fatales.





## Parrilla a gas propano y a carbón para exteriores, modelo no. GBT1709LR

### Salvaguardias importantes

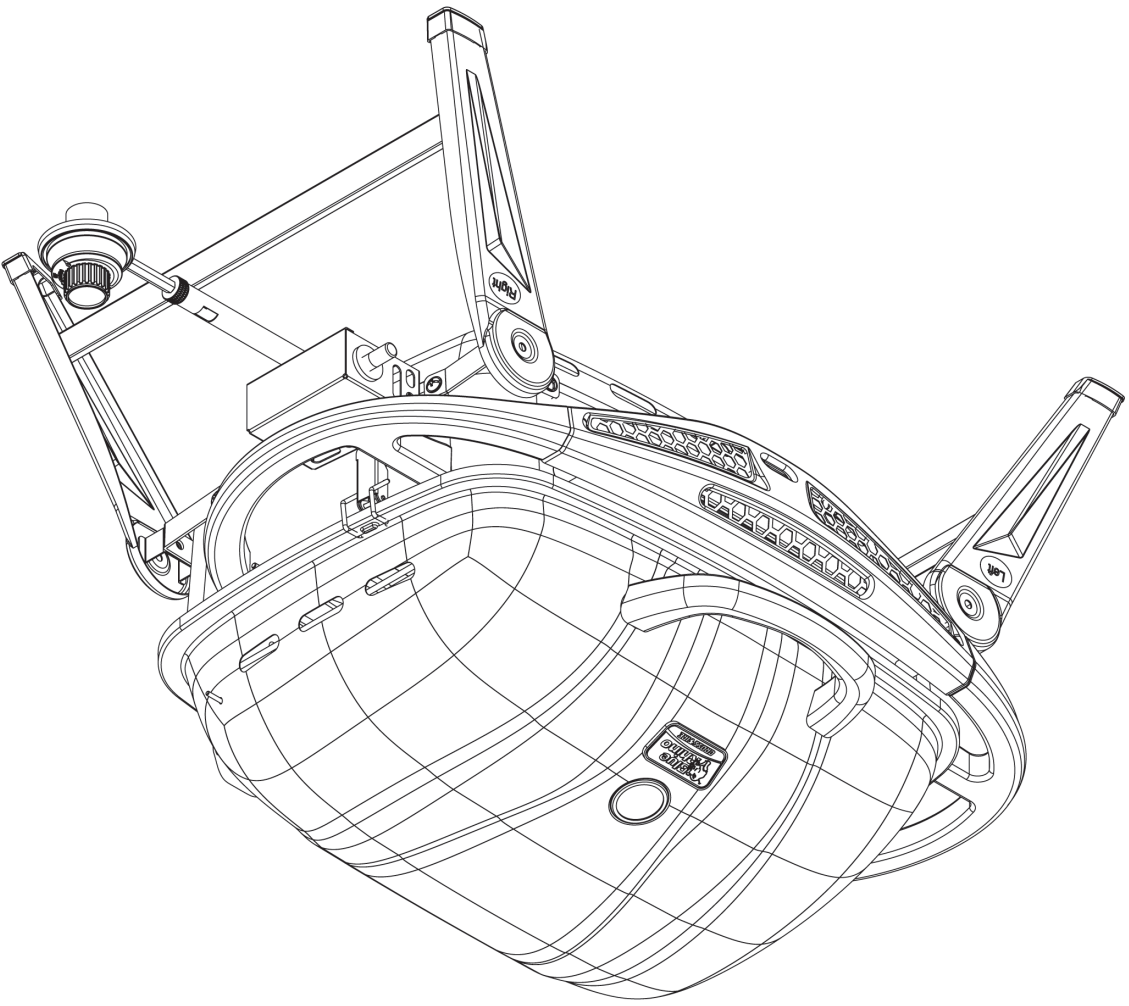
- ▲ **PELIGRO:** El no seguir los avisos de peligro, las advertencias y las precauciones de este manual, puede ocasionar un incendio o una explosión, con sus consecuentes daños a la propiedad, lesiones personales y hasta accidentes fatales.
- ▲ **ADVERTENCIAS:**
  - ▲ Esta parrilla es para ser usada al aire libre únicamente y no debe usarse en un edificio, garaje o cualquier otra área cerrada.
  - ▲ NO opere, encienda o use esta unidad a menos de diez (10) pies (3,05 m) de paredes, estructuras o edificaciones.
  - ▲ Para uso residencial únicamente. Esta parrilla NO ha sido diseñada para uso comercial.
  - ▲ Esta parrilla NO ha sido diseñada como calentador y nunca se la debe utilizar como tal. Gases TÓXICOS pueden acumularse y provocar la asfixia.
  - ▲ NO es una parrilla de sobremesa. Por lo tanto, NO coloque esta parrilla sobre ningún tipo de superficie de sobremesa.
  - ▲ Esta parrilla cuenta con certificación de seguridad para uso en los Estados Unidos y Canadá solamente. NO debe modificarse para uso en ningún otro lugar. La modificación resultará en un peligro de seguridad y anulará la garantía.
  - ▲ Esta parrilla utiliza únicamente gas de propano líquido como combustible. El convertir o tratar de convertir esta parrilla de gas propano líquido para ser usada con gas natural es peligroso e invalida la garantía de la unidad.
  - ▲ No recaliente la parrilla ya que puede dañarla y generar un incendio o explosión que puede provocar la muerte, lesiones corporales graves o daños a la propiedad.
  - ▲ Características del propano líquido (PL):
    - a. El propano es inflamable y resulta peligroso si se manipula inadecuadamente. Antes de utilizar cualquier producto que emplee propano líquido, estudie detenidamente sus características.
    - b. El gas de propano líquido es explosivo bajo presión, más denso que el aire, se asienta y se acumula a poca altura.
    - c. En su estado natural, el propano no tiene ningún olor. Para su seguridad, se añade una esencia odorífera que huele a col podrida.
    - d. El contacto directo con el propano líquido puede causar quemaduras frías en la piel.
  - ▲ Habitantes de apartamentos: Comuníquese con la administración para obtener los requisitos y los códigos de incendio para uso de una parrilla a gas propano líquido en su complejo de apartamentos. Si está permitido su uso, coloque la unidad en exteriores, sobre el suelo con una distancia de diez (10) pies (3 m) de paredes o barandas. No debe usarse en balcones ni debajo de estos.
  - ▲ Únicamente tanques marcados “Propano” pueden usarse en esta unidad.
  - ▲ El tanque de gas propano líquido (PL) debe estar fabricado y comercializado según las *Especificaciones para tanques de gas PL del Departamento de Transporte (DOT) de EE.UU. o del Estándar nacional de Canadá, CAN/GSA-B339 sobre tanques, esteras y tubos para el transporte de mercancías peligrosas.*
  - ▲ Verifique que el tanque de propano cuenta con mecanismo de extracción de vapor.
  - ▲ Los tanques de propano líquido abollados u oxidados pueden ser peligrosos y deberían ser revisados por su proveedor de gas PL antes de utilizarlos.
  - ▲ No deje caer el tanque de gas propano líquido ni la manija bruscamente.
  - ▲ Los tanques de propano deben almacenarse en exteriores, en un lugar al aire libre siempre fuera del alcance de los niños y nunca en un garaje, edificio o espacio cerrado. Nunca almacene tanques de gas en un lugar en el que la temperatura supere los 125°F (51,5°C).
  - ▲ NO inserte ninguna herramienta ni objeto extraño en la salida de la válvula ni en la válvula de seguridad. Podría dañar la válvula y causar una fuga. Una fuga de gas propano puede resultar en explosión, incendio, lesiones personales graves o la muerte.
  - ▲ NO bloquee los orificios situados a los lados y en la parte posterior de la parrilla.
- ▲ No ponga nunca un tanque de gas propano lleno en un carro o camioneta calientes. El calor podría hacer que la presión del gas aumentase, lo que abriría la válvula de seguridad y haría que se escapase el gas.
- ▲ Nunca guarde un tanque adicional de propano debajo de esta parrilla o a menos de 25 pies (7,62 m) de este artefacto.
- ▲ No intente nunca acoplar esta parrilla al sistema de propano de un campero, de una casa móvil o de su propia casa.
- ▲ El uso de bebidas alcohólicas, medicamentos o drogas de farmacia puede afectar la habilidad del usuario para armar debidamente u operar en forma segura este artefacto.
- ▲ No use nunca carbón de leña, líquido para encendedor, rocas de lava, gasolina, queroseno o alcohol con este artefacto.
- ▲ NUNCA utilice líquido encendedor, piedras volcánicas, gasolina, queroseno o alcohol en este artículo.
- ▲ NUNCA utilice carbón de leña cuando utilice la parrilla a gas.
- ▲ Todas las conexiones de gas de su parrilla han sido verificadas en fábrica en cuanto a fugas de gas. Sin embargo, pruebe la integridad de todas las conexiones de acuerdo con las instrucciones de operación de este manual ya que el movimiento en transporte puede aflojar algunas de ellas.
- ▲ Verifique que no haya fugas aun si el artefacto ha sido armado por otra persona.
- ▲ NO opere la unidad si hay una fuga de gas. Las fugas de gas pueden provocar un fuego o una explosión.
- ▲ Antes de operar esta unidad, debe observar todos los procedimientos para verificar que no hay fugas de gas. Para evitar cualquier riesgo de fuego o de explosión al comprobar si hay fugas:
  - a. Compruebe siempre si hay fugas antes de encender la parrilla, cada vez que el tanque de gas está conectado.
  - b. No fume. NO use o permita fuentes de ignición en el área al operar en forma segura este aparato.
  - f. Los olores fuertes, los resfrios, la congestión de los senos nasales, etc. pueden evitar la detección del gas propano. Tenga cuidado y sentido común al hacer pruebas para detectar fugas.
  - g. NO use la parrilla hasta que todas las fugas hayan sido reparadas. Si no puede parar una fuga, desconecte el tanque de propano. Llame a un técnico de servicio de artefactos a gas o a su proveedor de propano local.
- ▲ No guarde o use gasolina u otros líquidos o vapores inflamables a menos de 25 pies (7,62 m) de esta unidad.
- ▲ NO utilice el equipo en una atmósfera explosiva. Mantenga la zona de la parrilla libre de materiales combustibles, gasolina y cualquier otro vapor o líquido inflamable.
- ▲ El espacio mínimo entre los laterales y la parte posterior de la unidad y la construcción combustible es de 36 pulgadas (92 cm). NO use esta parrilla debajo de aleros o bajo techo.
- ▲ Es fundamental mantener limpio el regulador y su válvula, los quemadores y los conductos de aire circulante. Inspeccione la parrilla antes de cada uso.
- ▲ NO altere la parrilla de ninguna forma. Toda alteración anulará la garantía.
- ▲ No utilice la parrilla a menos que esté **COMPLETAMENTE** montada y que todas las piezas estén bien fijadas y apretadas.





# Parrilla a gas propano y a carbón para exteriores

Modelo no. GB11709LR



## Índice

Salvaguardias importantes.....	2
Página 2.....	2
Despiece y elementos de ferretería.....	5
Instrucciones de armado.....	6
Instalación del tanque de gas propano.....	9
Instrucciones de operación.....	9
Limpieza y cuidado.....	10
Registro del producto.....	11
Piezas de repuesto.....	11
Garantía limitada.....	11
Resolución de problemas.....	12

El uso e instalación de este producto ha de realizarse de acuerdo con los códigos locales. Si no existen códigos locales, use las normas siguientes: ANSI Z223.1/NFPA 54 del *National Fuel Gas Code (Código nacional de gas combustible)*, ANSI/NFPA 58 (*Storage and Handling of Liquefied Petroleum Gases/Código de manipulación y almacenaje de gases de petróleo licuado*), del *Liquefied Petroleum Gas Code (Código de sobre gas de petróleo licuado)*, CSA B149.1, ANSI Z223.1/NFPA 54, *Natural Gas and Propane Installation Code (Código de instalación de propano y gas natural)*, CAN/CGA-B149.1, o el *Propane Storage and Handling Code (Código de manipulación y almacenaje de propano)* B149.2, o la norma sobre vehículos recreativos ANSI A 119.2/NFPA 1192, y CSA Z240 *RV Series (Código sobre vehículos recreativos)*, según aplique.

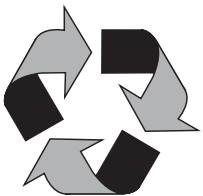
ESTE MANUAL DE INSTRUCCIONES CONTIENE INFORMACIÓN IMPORTANTE SOBRE LA SEGURIDAD. POR FAVOR, LÉALO Y CONSERVELO PARA FUTURAS CONSULTAS.

**ADVERTENCIA:** Este producto puede causar exposición a sustancias químicas, inclusive monóxido de carbono y hollín, que el Estado de California reconoce como causantes de cáncer, defectos de nacimiento y otros daños reproductivos. Para obtener más información visite [www.P65Warnings.ca.gov](http://www.P65Warnings.ca.gov).



Fabricado en China para: Revolve Inc. Limited  
 Hong Kong, China • 1.800.694.0013 • [service@revolve.com](mailto:service@revolve.com)  
 © Revolve Inc. Limited  
 Blue Rhino® es una marca registrada de Ferrelgas, L.P. Se utiliza con permiso.  
 CrossFire™ es una marca registrada de Blue Rhino Global Sourcing, Inc. Se utiliza con permiso.

Hecho con 75% de bagazo de caña (subproducto de la caña de azúcar respetuoso del medio ambiente)



### ADVERTENCIA



PARA SU SEGURIDAD: Solamente para uso en exteriores (fuera de cualquier recinto)

### ADVERTENCIA



- Una instalación, ajuste, alteración, reparación o mantenimiento inadecuados pueden causar lesiones o daños a la propiedad.
- Lea atentamente las instrucciones de instalación, funcionamiento y mantenimiento del equipo antes de instalarlo, ponerlo en marcha o darle servicio.
- El no seguir estas instrucciones puede ocasionar un incendio o una explosión, con sus consecuentes daños a la propiedad, lesiones personales y hasta accidentes fatales.

- Este manual de instrucciones contiene información importante necesaria para un correcto ensamble y uso seguro del aparato.
- Lea y siga todas las instrucciones y advertencias antes de ensambiar y usar el producto.
- Obedezca todas las advertencias e instrucciones cuando use el equipo.
- Guarde este manual para referencia futura.

### PELIGRO



Si huele a gas -

- Cierre la entrada de gas al aparato.
- Apague cualquier llama activa.
- Abra la tapa.
- Si el olor persiste, manténgase alejado del aparato y llame inmediatamente a su proveedor de gas o al departamento de bomberos.

El no seguir estas instrucciones puede ocasionar un incendio o una explosión, con sus consecuentes daños a la propiedad, lesiones personales y hasta accidentes fatales.

### ADVERTENCIA



PARA SU SEGURIDAD:

- No guarde o use gasolina u otros líquidos o vapores inflamables cerca de esta unidad o de cualquier otro aparato.
- Un tanque de propano líquido que no esté conectado para su uso no se debe almacenar cerca de éste o cualquier otro aparato.

### PELIGRO



Nunca deje este artefacto encendido sin vigilancia.