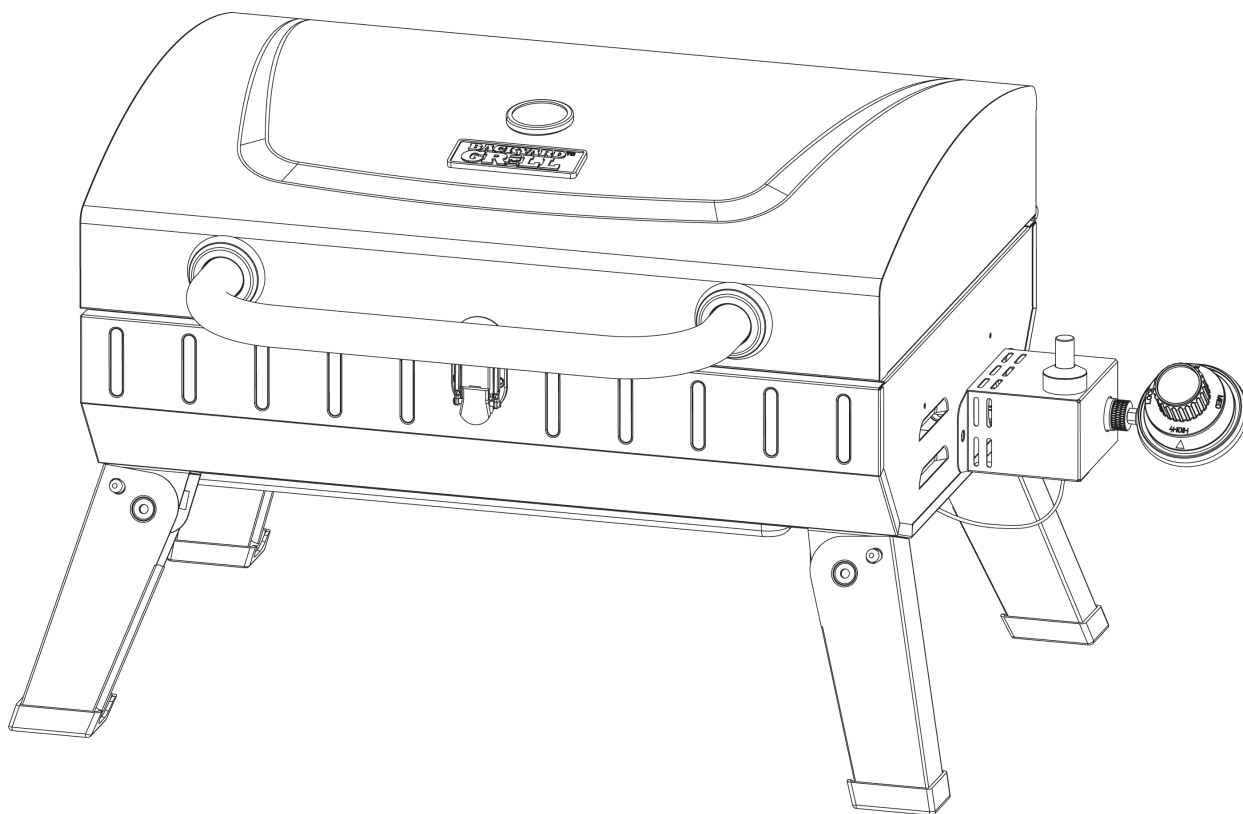


Outdoor LP Gas Barbecue Grill

Model No. GBT1754W-C



WARNING

FOR YOUR SAFETY:

1. Improper installation, adjustment, alteration, service or maintenance can cause injury or property damage.
2. Read the installation, operation, and maintenance instructions thoroughly before installing or servicing this equipment.
3. Failure to follow these instructions could result in fire or explosion, which could cause property damage, personal injury, or death.
4. This instruction manual contains important information necessary for the proper assembly and safe use of the appliance.
5. Read and follow all warnings and instructions before assembling and using the appliance.
6. Follow all warnings and instructions when using the appliance.
7. Keep this manual for future reference.

WARNING

FOR YOUR SAFETY:

1. Do NOT store or use gasoline or other flammable liquids or vapors in the vicinity of this or any other appliance.
2. An LP cylinder not connected for use shall NOT be stored in the vicinity of this or any other appliance.

Table of Contents

Important Safeguards	Page 2
Expanded View & Hardware	4
Assembly Instructions	5
Operating Instructions	8
Cleaning and Care	9
Limited Warranty	10
Troubleshooting	11

The use and installation must conform with local codes or, in the absence of local codes, with either the *National Fuel Gas Code, ANSI Z223.1/NFPA 54, Natural Gas and Propane Installation Code, CSA B149.1, or Propane Storage and Handling Code, B149.2, or the Standard for Recreational Vehicles, ANSI A 119.2/NFPA 1192, and CSA Z240 RV Series, Recreational Vehicle Code, as applicable.*

THIS INSTRUCTION BOOKLET CONTAINS IMPORTANT SAFETY INFORMATION. PLEASE READ AND KEEP FOR FUTURE REFERENCE.

If you are assembling this unit for someone else, give this manual to him or her to read and save for future reference.

DANGER

Never operate this appliance unattended.

DANGER

If you smell gas -

1. Shut off gas to appliance.
2. Extinguish any open flame.
3. Open lid.
4. If odor continues, keep away from the appliance and immediately call your gas supplier or your fire department.

WARNING

FOR YOUR SAFETY:

For Outdoor Use Only
(outside any enclosure)

If you have questions or need assistance during assembly, please call 1-800-694-0013





Important Safeguards Warning



- ▲ This grill is for outdoor use only, and should not be used in a building, garage or any other enclosed area.
- ▲ Do NOT operate, light or use this appliance within ten feet (3.05 m) of walls, structures or buildings.
- ▲ For residential use only. This grill is NOT for commercial use.
- ▲ This grill is not intended for and should never be used as a heater. TOXIC fumes can accumulate and cause asphyxiation.
- ▲ This grill is safety certified for use in the United States and/or Canada only. Do NOT modify for use in any other location. Modification will result in a safety hazard and will void your warranty.
- ▲ This grill is for use with liquid propane (LP) gas only. The conversion to or attempted use of natural gas in this LP gas grill is dangerous, may cause bodily harm and will void your warranty.
- ▲ LP gas characteristics:
 - a. LP gas is flammable and hazardous if handled improperly. Become aware of the characteristics before using any LP gas product.
 - b. LP gas is explosive under pressure, heavier than air, and settles/pools in low areas.
 - c. LP gas in its natural state has no odor. For your safety, an odorant is added that smells like rotten cabbage.
 - d. Contact with LP gas can cause freeze burns to skin.
- ▲ Apartment dwellers: Check with management to learn the requirements and fire codes for using a LP gas grill in your apartment complex. If allowed, use outside on the ground floor with a ten foot (3.05 m) clearance from any structure. Do NOT use on or under balconies.
- ▲ LP gas cylinder needed to operate. Only cylinders marked “propane” may be used.
- ▲ The LP gas cylinder must be constructed and marked in accordance with the *Specifications for LP-gas Cylinders* of the U.S. Department of Transportation (D.O.T.) or the National Standard of Canada, *CAN/CSA-B339, Cylinders, Spheres and Tubes for the Transportation of Dangerous Goods; and Commission*.
- ▲ LP gas cylinder must be arranged for vapor withdrawal.
- ▲ The LP gas cylinder must have a listed overfilling prevention device (OPD).
- ▲ Only use LP gas cylinders equipped with a cylinder connection device compatible with the connection for outdoor cooking appliances.
- ▲ The LP gas cylinder must have a cylinder collar to protect the cylinder valve.
- ▲ Never use an LP gas cylinder with a damaged body, valve, collar or footing.
- ▲ Dented or rusted LP gas cylinders may be hazardous and should be checked by your LP gas supplier prior to use.
- ▲ The LP gas cylinder should not be dropped or handled roughly.
- ▲ LP gas cylinders must be stored outdoors out of the reach of children and must not be stored in a building, garage or any other enclosed area. Your cylinder must never be stored where temperatures can reach over 125°F.
- ▲ Do NOT insert any tool or foreign object into the valve outlet or safety relief valve. You may damage the valve and cause a leak. Leaking propane may result in an explosion, fire, severe personal injury or death.
- ▲ Do NOT block holes in sides or back of grill.
- ▲ Never keep an LP gas cylinder in a hot car or trunk. Heat will cause the gas pressure to increase, which may open the relief valve and allow gas to escape.
- ▲ Place dust cap on cylinder valve outlet whenever the cylinder is not in use. Only install the type of dust cap on the cylinder valve outlet that is provided with the cylinder valve. Other types of caps or plugs may result in leakage of propane.
- ▲ If grill is not in use, the gas must be turned off at the supply cylinder and disconnected.
- ▲ Do NOT store a spare LP gas cylinder under or near this appliance.
- ▲ Never fill the cylinder beyond 80 percent full. A fire causing serious injury or damage to property may occur if the above is not followed exactly.
- ▲ Never attempt to attach this grill to the self-contained LP gas system of a camper trailer, motor home or house.
- ▲ Never use charcoal, lighter fluid, lava rocks, gasoline, kerosene or alcohol with this product.
- ▲ Your grill has been checked at all factory connections for leaks. Re-check all connections as described in the “Operating Instructions” section, as shipping can loosen connections.
- ▲ Check for leaks even if your unit was assembled for you by someone else.
- ▲ Do NOT operate if a gas leak is present. Gas leaks may cause a fire or explosion.
- ▲ You must follow all instructions in the “Checking for Leaks” section before operating. To prevent fire or explosion hazard when testing for a leak:
 - a. Always perform a leak test before lighting the grill and each time the cylinder is connected for use.
 - b. No smoking. Do NOT use or permit sources of ignition in the area while conducting a leak test.
 - c. Conduct the leak test outdoors in a well-ventilated area.
 - d. Do NOT use matches, lighters, or a flame to check for leaks.
 - e. The use of alcohol, prescription or non-prescription drugs may impair the consumer’s ability to properly assemble or safely operate the appliance.
 - f. Strong odors, colds, sinus congestion, etc. may prevent the detection of propane. Use caution and common sense when testing for leaks.
 - g. Do NOT use grill until any and all leaks are corrected.
If you are unable to stop a leak, disconnect the LP gas supply. Call a gas appliance serviceman or your local LP gas supplier.
- ▲ This grill is designed to operate at an inlet pressure of: 11 inches water column.
- ▲ Do NOT store or use gasoline or other flammable liquids or vapors within 25 feet (7.62 m) of this appliance.
- ▲ Do NOT use in an explosive atmosphere. Keep grill area clear and free from combustible materials, gasoline and other flammable vapors and liquids.
- ▲ Minimum clearance from sides and back of unit to combustible construction is 36 inches (91.4 cm). Do NOT use this appliance under any type of overhang or roof.
- ▲ It is essential to keep the grill’s valve compartment, burners and circulating air passages clean.
- ▲ Inspect grill before each use.
- ▲ Do NOT alter grill in any manner. Any alteration will void your warranty.
- ▲ Do NOT use the grill unless it is COMPLETELY assembled and all parts are securely fastened and tightened.
- ▲ Do NOT build this model of grill in any built-in or slide-in construction. Ignoring this warning could cause a fire or an explosion that can damage property and cause serious bodily injury or death.

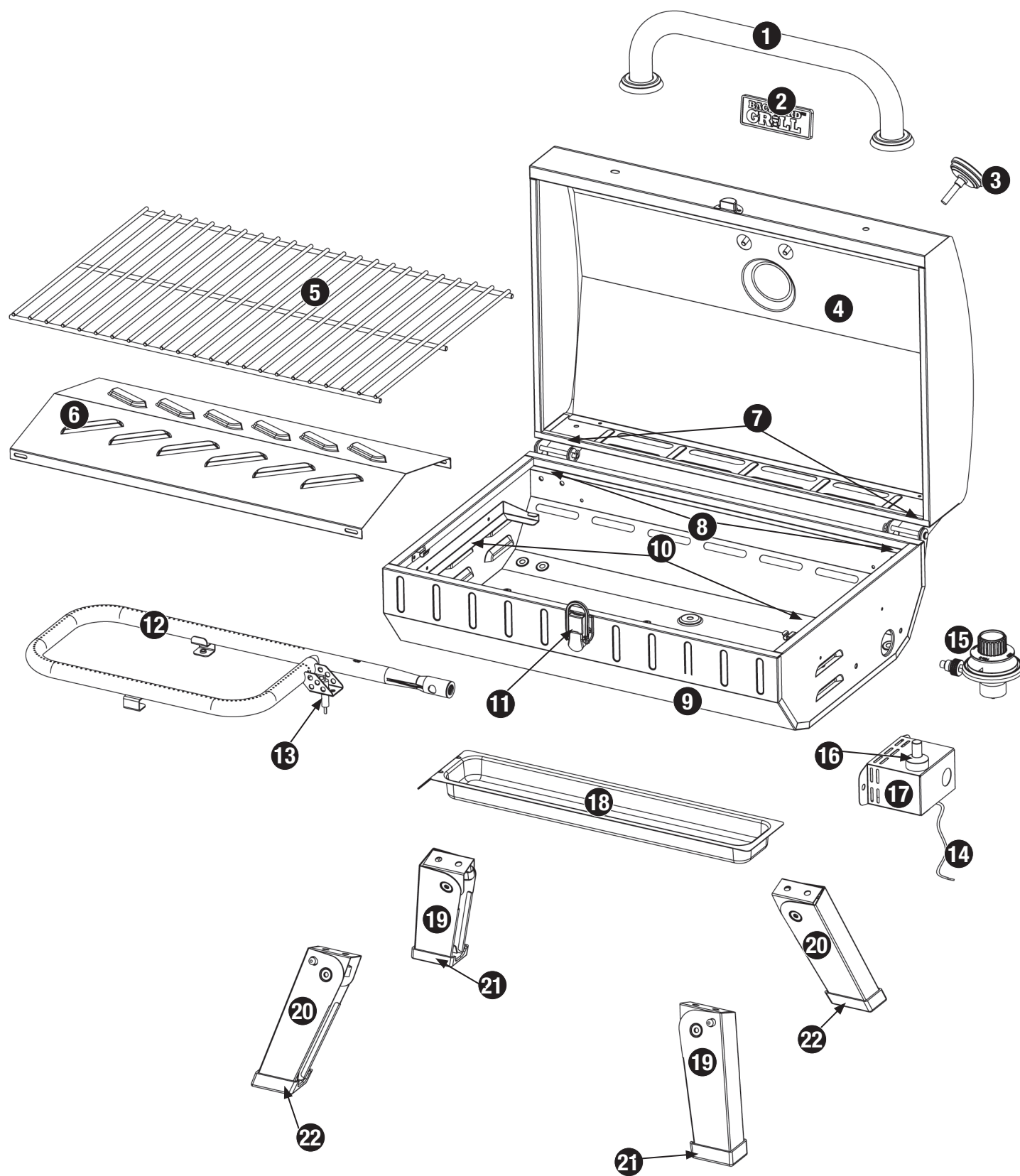


Important Safeguards Warning



- ▲ This grill should be thoroughly cleaned and inspected on a regular basis.
- ▲ Clean and inspect the hose before each use of the appliance. If there is evidence of abrasion, wear, cuts or leaks, the hose must be replaced prior to operation.
- ▲ Use only the regulator and hose assembly provided. Use only the replacement regulator and hose assembly specified by RevoAce Inc. Limited
- ▲ Use only RevoAce Inc. Limited factory-authorized parts. The use of any part that is not factory-authorized can be dangerous and will void your warranty.
- ▲ Do NOT operate this appliance without reading “Operating Instructions” in this manual.
- ▲ Do NOT touch metal parts of grill until they have completely cooled to avoid burns, unless you are wearing protective gear (pot holders, gloves, BBQ mittens, etc.).
- ▲ Do NOT install or use in or on boats or recreational vehicles.
- ▲ When cooking, fire extinguishing materials should be readily accessible. In the event of an oil/grease fire, do NOT attempt to extinguish with water. Use type BC dry chemical fire extinguisher or smother with dirt, sand or baking soda.
- ▲ Do NOT use grill in high winds.
- ▲ Never lean over the grill when lighting.
- ▲ Do NOT leave a lit grill unattended. Keep children and pets away from grill at all times.
- ▲ Do NOT leave grill unattended while preheating or burning off food residue on high. If grill has not been cleaned, a grease fire can occur that may damage the product.
- ▲ Do NOT place empty cooking vessels on the appliance while in operation.
- ▲ Use caution when placing anything on the grill while the appliance is in operation.
- ▲ Do NOT attempt to move grill when in use. Allow the grill to cool before moving or storing.
- ▲ LP gas cylinder must be properly disconnected and removed prior to moving this grill.
- ▲ Storage of grill indoors is permissible only if the cylinder is disconnected, removed from the grill and properly stored outdoors.
- ▲ Always open grill lid carefully and slowly as heat and steam trapped within grill can cause severe burns.
- ▲ Do NOT attempt to disconnect the gas regulator from the cylinder or any gas fitting while the grill is in use.
- ▲ Always place your grill on a hard, non-combustible, level surface. An asphalt or blacktop surface may not be acceptable for this purpose.
- ▲ Move gas hoses as far away as possible from hot surfaces and dripping hot grease.
- ▲ Keep all electrical cords away from a hot grill.
- ▲ After a period of storage and/or nonuse, check for leaks, burner obstructions and inspect for any abrasion, wear or cuts to the hose.
- ▲ Failure to open lid while igniting the grill’s burners, or not waiting 5 minutes to allow the gas to clear if the grill does not light, may result in an explosive flame-up.
- ▲ Never operate grill without its heat plates installed.
- ▲ Always use a meat thermometer to ensure food is cooked to a safe temperature.
- ▲ Use protective gloves when assembling this product.
- ▲ Do NOT force parts together as this can result in personal injury or damage to the product.
- ▲ Never cover entire cooking area with aluminum foil.
- ▲ Deaths, serious injury or damage to property may occur if the above is not followed exactly.

Expanded View



Parts List

1	Lid Handle	G1654-010	9	Bottom Bowl*	G1654-030	17	Igniter Button Cover*	G1654-070
2	Brand Plate*	B0109-LC2	10	Heat Plate Support (2)*	G1654-150	18	Grease Cup	G1654-080
3	Temperature Gauge*	B0104-H80	11	Lock*	C1340-211	19	Leg A (2)	G1654-090
4	Lid*	G1654-020	12	Burner	G1654-060	20	Leg B (2)	G1654-100
5	Cooking Grid	G1654-040	13	Igniter*	B0406-000	21	Foot A (2)*	G1654-110
6	Heat Plate	G1654-050	14	Igniter Wire*	G1654-160	22	Foot B (2)*	G1654-120
7	Upper Hinge (2)*	G1654-130	15	Regulator/Control Knob	B0308-C23			
8	Lower Hinge (2)*	G1654-140	16	Igniter Button*	B0217-K00			

* Pre-assembled

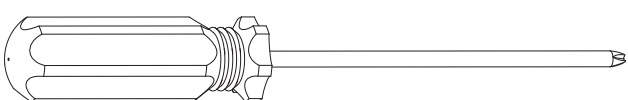
Hardware

A	Screw	M5x12 Stainless Steel Phillips Truss Head	14 pcs
B	Washer	ø5 Stainless Steel	10 pcs
C	Lock Washer	ø5 Stainless Steel	10 pcs

Tools Required for Assembly (Not Included)

#2 Phillips Head Screwdriver

1 pc



Assembly Instructions

1 DO NOT RETURN TO PLACE OF PURCHASE.

For assistance, call **1.800.694.0013** toll-free. Please have your owner's manual and model number available for reference.

Note: The model number can be found on the back or side of the grill.

Assembly Tips:

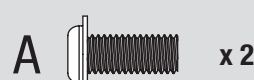
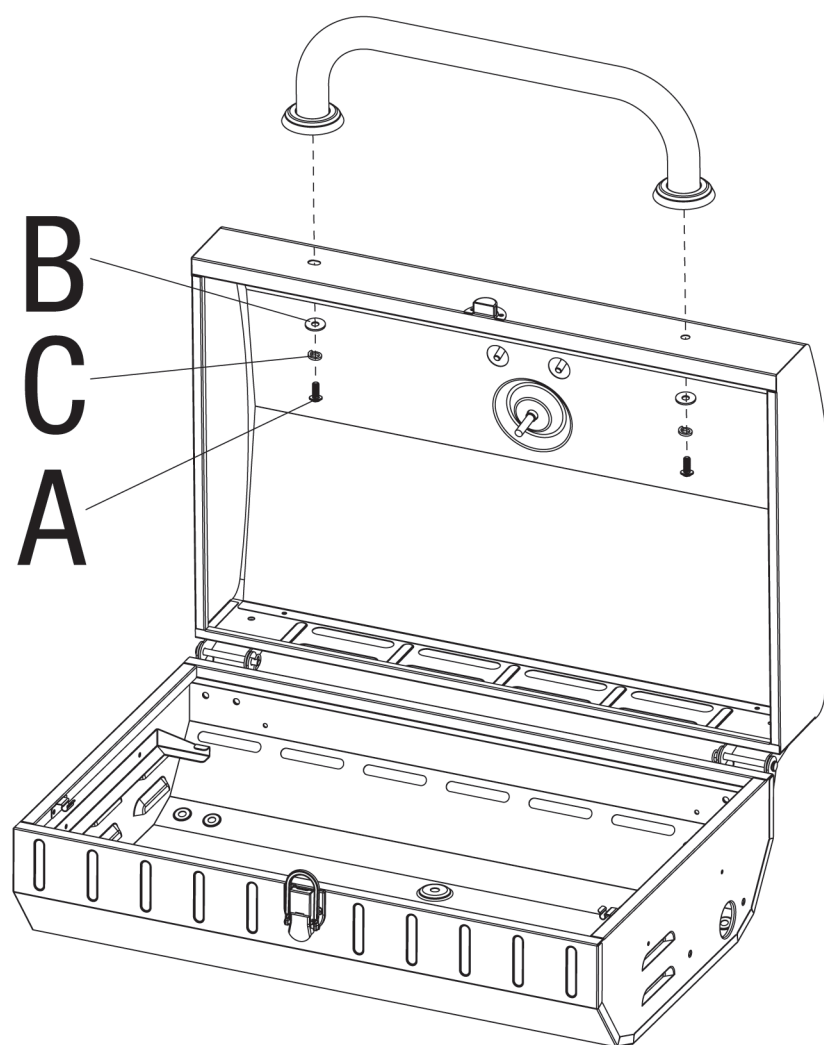
1. Select an area where you will assemble this product. To protect components, choose a smooth surface that's free of cracks or openings.
2. Spread out all parts.
3. Tighten all hardware connections by hand first. Then, before completing each step, go back and fully tighten all hardware. Be careful not to over-tighten. That could damage surfaces or strip threads.
4. For best results, complete each step in the order presented.

To complete assembly you will need:

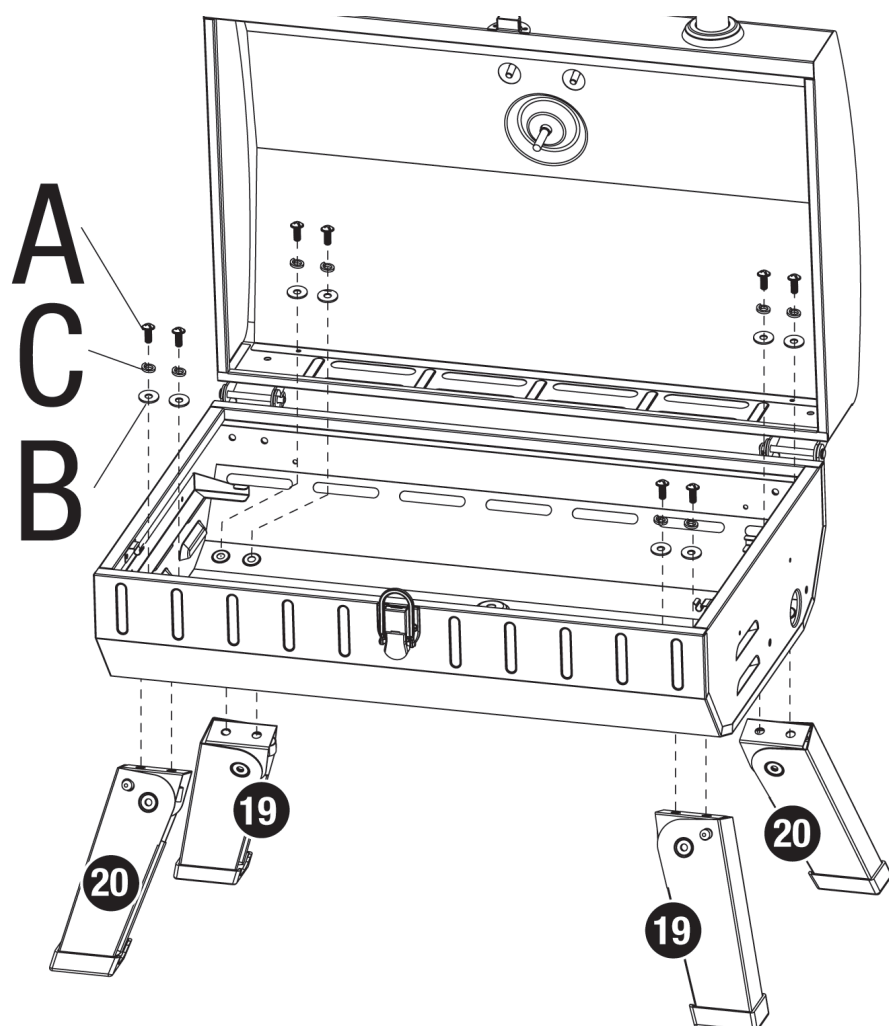
- (1) Leak Detection Solution (instructions on how to make solution are included in "Operating Instructions" section).
- (1) 14.1 oz or (1) 16.4 oz LP gas tank (not included).

Typical assembly is approximately 30 minutes.

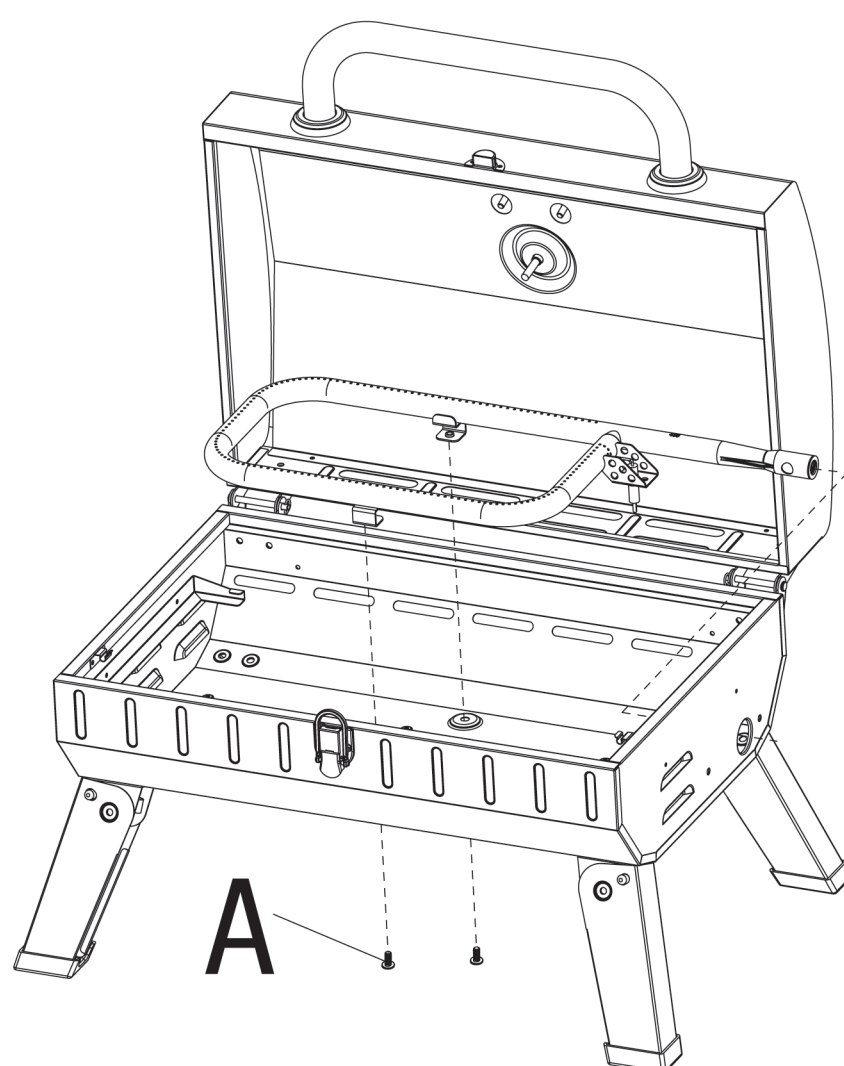
2 Attach Lid Handle



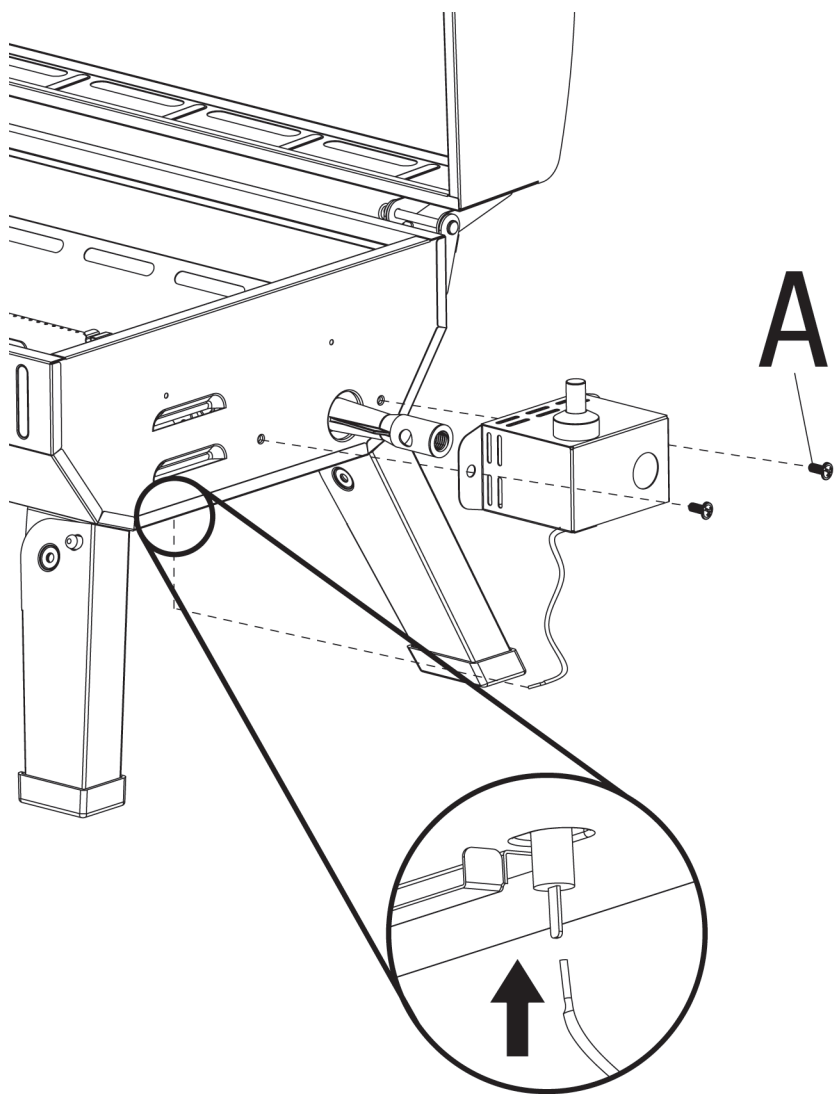
3 Attach Legs

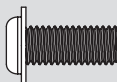


4 Attach Burner



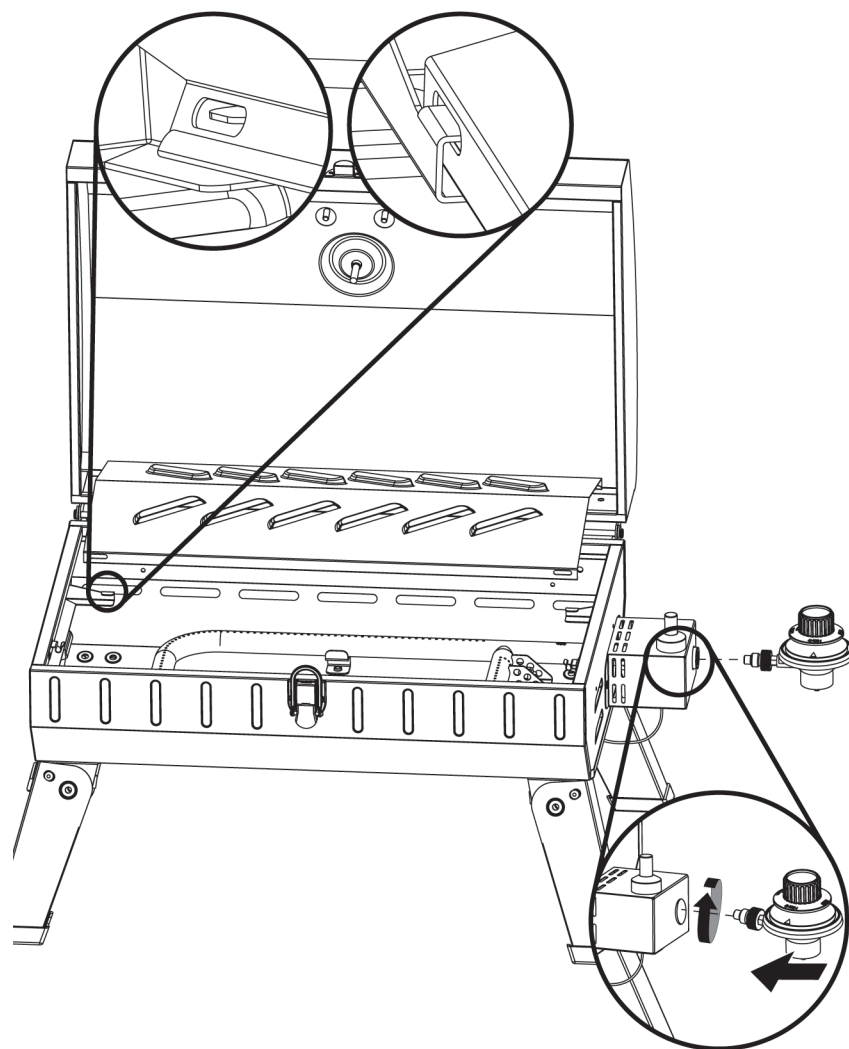
5 Attach Igniter Wire and Igniter Cover



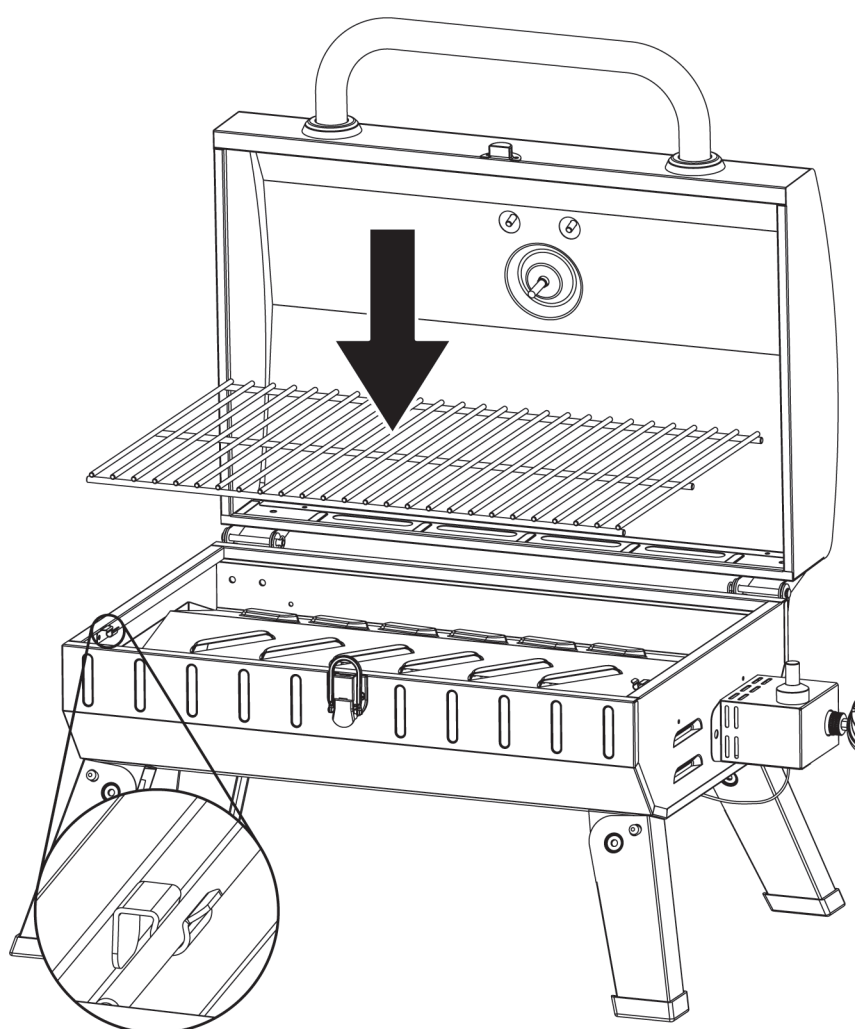
A  x 2

6 Insert Heat Plate and Attach Regulator/Control Knob

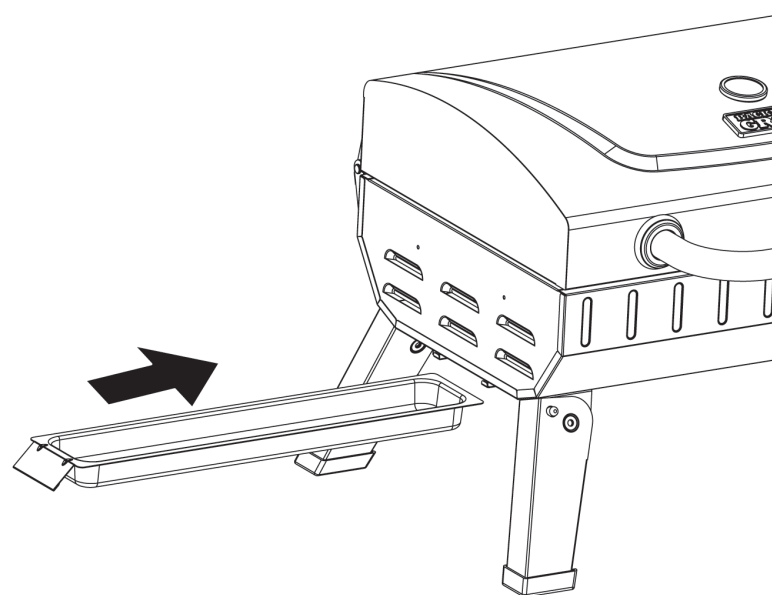
Note: Once attached, the regulator/control knob will freely rotate to accommodate for the LP gas tank.



7 Insert Cooking Grid



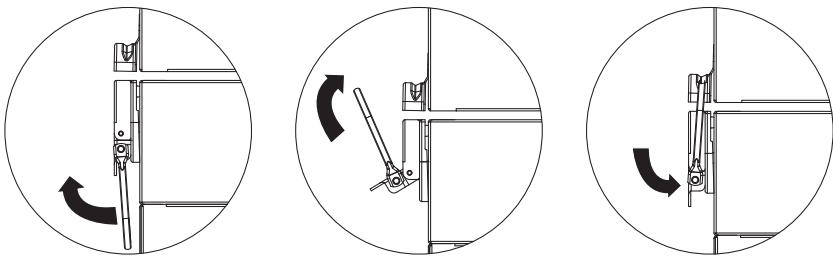
8 Insert Grease Cup



9

Lock Lid

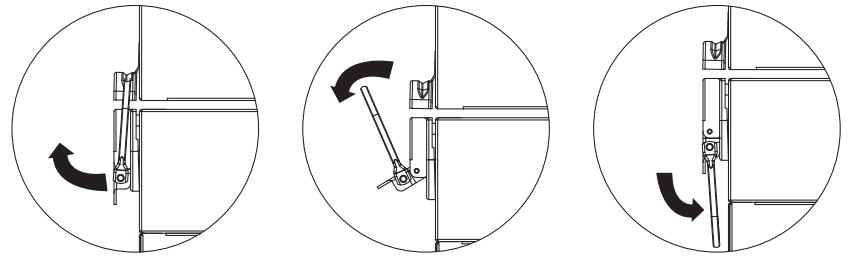
Note: Lid must be locked before transporting grill.



10

Unlock Lid

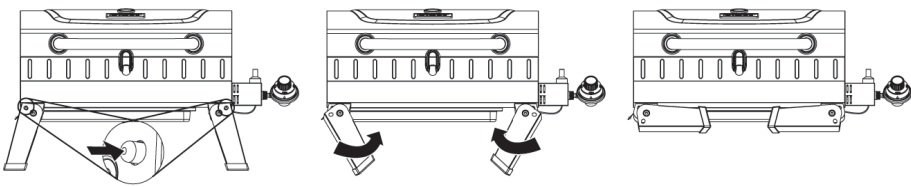
Note: Always unlock and open lid before lighting grill.



11

Fold Up Legs

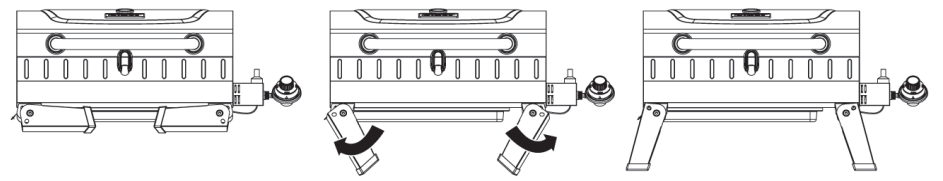
Note: Always lock lid before folding legs.



12

Unfold Legs

Note: Always open legs completely and secure them in place before lighting grill.



Operating Instructions

This grill is designed to operate with a 1 lb. 7.75 in. or 10.6 in. high disposable / 16.4 oz. or 14.1 oz. propane gas tank (DOT 39 Cylinder) (Figure 1).



Connecting LP Gas Tank

Only cylinders marked “propane” may be used.

Note: 1 lb cylinders may form frost when near empty.

1. Make sure the regulator/control knob is in the “OFF” position (Figure 2).
2. Lubricate the threads of the regulator/control knob with petroleum jelly. Line up threads on LP gas tank with regulator/control knob.
3. Insert and rotate LP gas tank clockwise until they fit snugly together. **HAND TIGHTEN ONLY.** Be careful not to crossthread when screwing in tank (Figure 3).
4. Perform leak test per “Checking for Leaks” section.

Disconnecting LP Gas Tank

1. Turn the regulator/control knob to the “OFF” position (Figure 2).
2. Rotate LP gas tank counterclockwise until it is detached (Figure 4).
3. Store the LP gas tank in a proper location, per instructions on the LP gas tank.

Checking for Leaks

Burner Connections

1. Make sure the regulator/control knob is securely fastened to the burner.

Note: The brass nut should be ¼ to ½ turn past tight. The regulator will rotate 360° even when the brass nut is tightened. If your unit was assembled for you, visually check the connection between the burner and regulator/control knob (Figure 5).

▲ WARNING: Failure to inspect this connection or follow these instructions could cause a fire or an explosion which can cause death, serious bodily injury or damage to property.

2. If the burner and regulator/control knob do not fit properly or if you have any questions, please contact 1.800.694.0013 for assistance.

Tank/Gas Line Connection

1. Make 2-3 oz. of leak detection solution by mixing one part liquid dishwashing soap with three parts water.
2. Make sure regulator/control knob is in the “OFF” position (Figure 2).
3. Spoon the leak detection check solution on all “X” locations (Figure 5).
 - a. If any bubbles appear, remove the LP gas tank and reconnect, making sure the connection is secure.
 - b. If you continue to see bubbles after several attempts, remove the LP gas tank per “Disconnecting LP Gas Tank” section, and contact 1.800.694.0013 for assistance.
 - c. If no bubbles appear after one minute, turn regulator/control knob to the “OFF” position, wipe away solution and proceed.

First Use

1. Make sure all labels, packaging and protective films have been removed from the grill.
2. Remove manufacturing oils before cooking on this grill for the first time by operating the grill for at least 15 minutes on 🔥 (HIGH) with the lid closed. This will “heat clean” the internal parts and dissipate odors.

Lighting Instructions

- ▲ **CAUTION: Keep outdoor gas cooking appliance area clear and free from combustible materials, gasoline and other flammable vapors and liquids.**
- ▲ **CAUTION: Do NOT obstruct the flow of combustion and ventilation air.**
- ▲ **CAUTION: Check and clean burner/venturi tubes for insects and insect nests. A clogged tube can lead to a fire.**
- ▲ **CAUTION: Attempting to light the burner with the lid closed may cause an explosion.**
- ▲ **CAUTION: Always open legs completely and secure in place before opening lid or lighting grill.**

1. Open lid.
2. Check for obstructions of airflow to the burners. Spiders, insects and webs can clog the burner/venturi tube. A clogged burner/venturi tube can lead to a fire.
3. Connect LP gas tank per “Connecting LP Gas Tank” section.
4. Turn the control knob to 🔥 (HIGH).
5. Press the igniter button quickly 3 to 4 times to light burner.
6. If ignition does not occur in 5 seconds, turn regulator/control knob to “OFF” position, wait 5 minutes and repeat lighting procedure.
7. If igniter does not light burner, use a lit match to light burner manually. Access the burner through the hole in bottom bowl or side as indicated (Figure 6). Turn the regulator/control knob to 🔥 (LOW) and position the lit match near side of the burner.
8. After lighting, observe the burner flame. Make sure all burner ports are lit and flame height matches illustration (Figure 7).

Turning Off

1. Turn regulator/control knob to the “OFF” position (Figure 2).
Note: A “poof” sound is normal as the last of the LP gas is burned.
2. Disconnect LP gas tank per “Disconnecting LP Gas Tank” section.

Cooking

1. Open lid and ignite the side burner per “Lighting Instructions” section.
2. Close lid and preheat grill on 🔥 (HIGH).
3. Adjust regulator/control knob to desired flame height.
4. Wear protective gloves and use long handle tongs to place food onto cooking grids above the lit burner.
5. With lid open or closed, cook until desired internal food temperatures are achieved.
6. Turn grill off per “Turning Off” section.

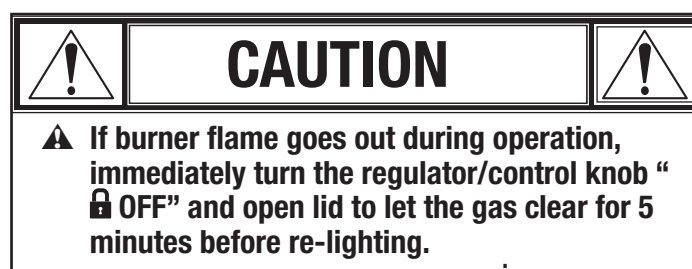


Figure 1

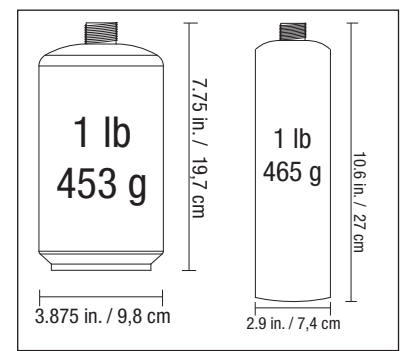


Figure 2

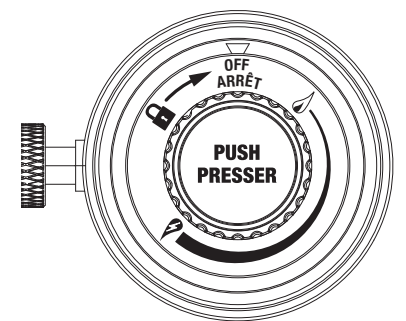


Figure 3

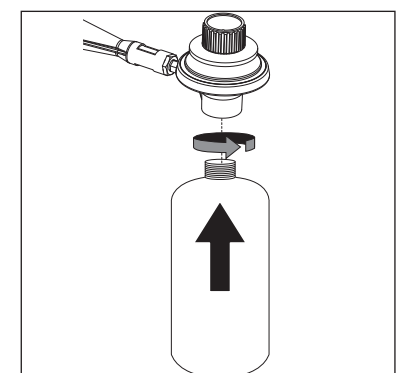


Figure 4

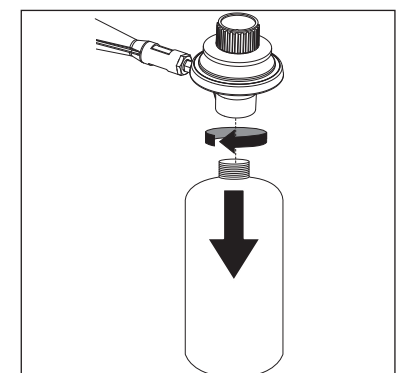


Figure 5

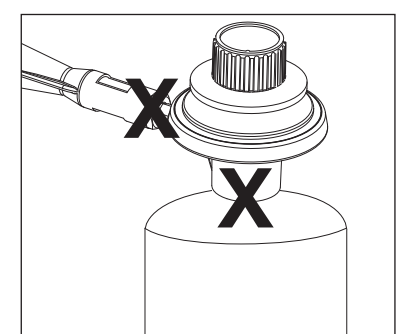


Figure 6

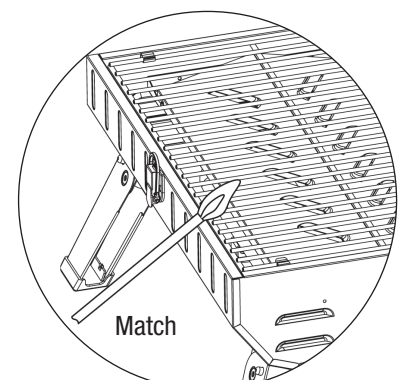
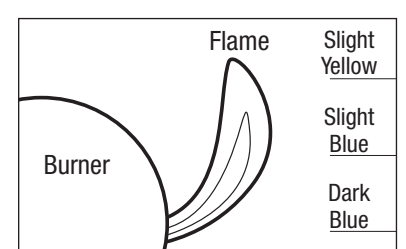


Figure 7



Operating Instructions (continued)

Controlling Flare-ups

- If a grease fire develops, turn regulator/control knob “OFF.” Do NOT use water on a grease fire. This can cause the grease to splatter and could result in serious burns, bodily harm or other damage.
- Do NOT leave grill unattended while preheating or burning off food residue on 🔥 (HIGH). If grill has not been cleaned, a grease fire can occur that may damage the product.

Flare-ups are a part of cooking meats on a grill and add to the unique flavor of grilling.

Excessive flare-ups can over-cook your food and be dangerous.

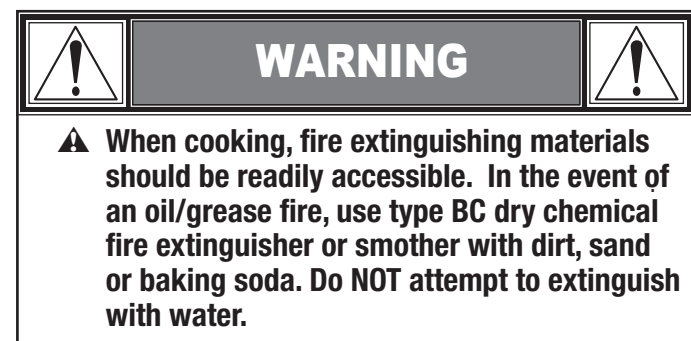
Important: Excessive flare-ups result from the build-up of grease in the bottom of your grill.

If a grease fire occurs, close the lid **AND** turn regulator/control knob to “OFF,” until the grease burns out. Use caution when opening the lid as sudden flare-ups may occur.

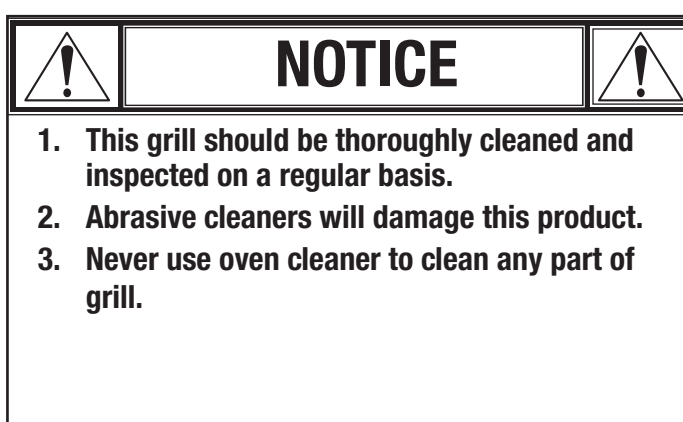
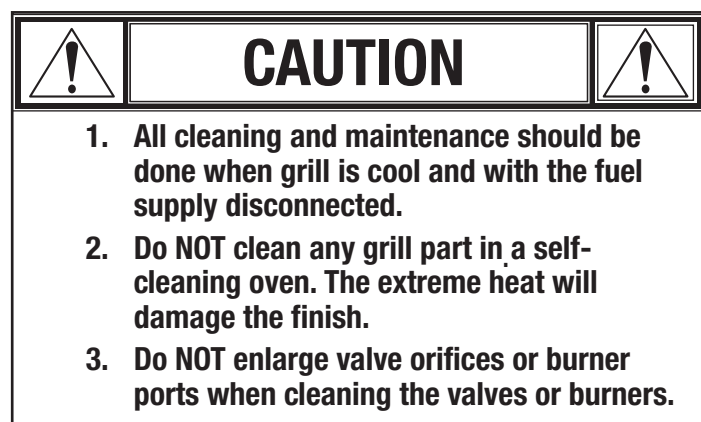
If excessive flare-ups occur, do **NOT** pour water onto the flames.

Minimize Flare-ups:

1. Trim excess fat from meats prior to cooking.
2. Cook high fat content meats on 🔥 (LOW) setting or indirectly.
3. Ensure that your grill is on a hard, level, non-combustible surface and the grease is allowed to drain into grease receptacle.



Cleaning and Care



Before Each Use:

1. Keep the grill area clean and free from any combustible materials, gasoline, and other flammable vapors and liquids.
2. Do NOT obstruct the flow of the combustion of LP gas and the ventilation of air.
3. Keep the ventilation opening(s) of the LP gas tank area free and clear from debris.
4. Visually check the burner flames to make sure your grill is working properly (Figure 8).
5. See below for proper cleaning instructions.
6. Check for obstructions of airflow to the burners. Spiders, insects and webs can clog the burner/venturi tube. A clogged burner/venturi tube can lead to a fire.

Cleaning Surfaces

1. Wipe surfaces clean with mild dishwashing detergent or baking soda mixed with water.
2. For stubborn surfaces, use a citrus-based degreaser and a nylon scrubbing brush.
3. Rinse clean with water.
4. Allow to air dry.

Cleaning Main Burners

1. Turn regulator/control knob to “OFF.”
Note: A “poof” sound is normal as the last of the LP gas is burned.
2. Disconnect LP gas tank per “Disconnecting LP Gas Tank” section.
3. Remove regulator/control knob and wind guard.
4. Remove cooking grid and heat plate.
5. Disconnect wire from igniter, if applicable.
6. Remove burner.
7. Remove all food residue and dirt from burner surface.
8. Disconnect wire from spark electrode.
9. Clean inlet of burner with small bottle brush or compressed air.
10. Clean any clogged ports with a stiff wire (such as an opened paper clip).
11. Inspect burner for any damage (cracks or holes). If damage is found, replace with a new burner from manufacturer.
12. Reinstall burner. Reconnect igniter (if applicable), wind guard and regulator/control knob.
13. Replace heat plate and cooking grid.
14. Connect LP gas tank per “Installing LP Gas Tank” section.
15. Perform leak test per “Checking for Leaks” section.

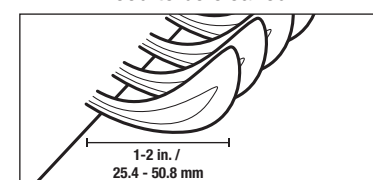
Before Storing

1. Turn LP gas tank valve to “CLOSED.”
2. Turn regulator/control knob to “OFF.”
Note: A “poof” sound is normal as the last of the LP gas is burned.
3. Disconnect LP gas tank per “Disconnecting LP Gas Tank” section.
4. Clean all surfaces.
5. Lightly coat the burner(s) and cooking grid with cooking oil to prevent excess rusting.
6. If storing the grill indoors, disconnect the LP tank per “Disconnecting LP Gas Tank” section.
7. Place the protective cap cover on the LP tank and store the tank outdoors in a well-ventilated area out of direct sunlight.
8. If storing the grill indoors, cover the grill and store in a cool dry place.
9. If storing the grill outdoors, cover the grill with a grill cover for protection from the weather.

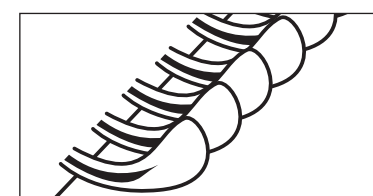
Figure 8

Burner Flame Conditions

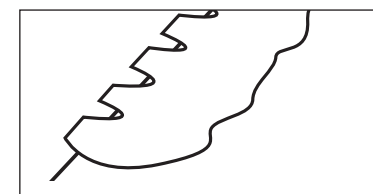
Use this chart to see if your burners need to be cleaned.



Normal: Soft blue flames with yellow tips between 1 in. - 2 in. height.



Needs cleaning: Noisy with hard blue flames.



Has to be replaced: Wavy with yellow flames.

Limited Warranty

RevoAce Inc. Limited ("RA") warrants to the original retail purchaser of this product, and to no other person, that if this product is assembled, maintained, and operated in accordance with the printed instructions accompanying it, then for a period of one (1) year for all remaining parts from the date of purchase, all parts in such product shall be free from defects in material and workmanship. RA may require reasonable proof of your date of purchase. Therefore, you should retain your sales slip or invoice. This Limited Warranty shall be limited to the repair or replacement of parts, which prove defective under normal use and service and which RA shall determine in its reasonable discretion upon examination to be defective. Before returning any parts, you should contact RA's Customer Care Department using the contact information listed below. If RA conforms, after examination, a defect covered by this Limited Warranty in any returned part, and if RA approves the claim, RA will replace such defective part without charge. If you return defective parts, transportation charges must be prepaid by you. RA will return replacement parts to the original retail purchaser, freight or postage prepaid. This Limited Warranty does not cover any failures or operating difficulties due to accident, abuse, misuse, alteration, misapplication, improper installation or improper maintenance or service by you or any third party, or failure to perform normal and routine maintenance on the product as set out in this owner's manual. In addition, the Limited Warranty does not cover damage to the finish, such as scratches, dents, discoloration, rust or other weather damage, after purchase.

This Limited Warranty is in lieu of all other express warranties. RA disclaims all warranties for products that are purchased from sellers other than authorized retailers or distributors, including the warranty of merchantability or the warranty of fitness for a particular purpose. RA ALSO DISCLAIMS ANY AND ALL IMPLIED WARRANTIES, INCLUDING WITHOUT LIMITATION THE IMPLIED WARRANTIES OF MERCHANTABILITY AND FITNESS FOR A PARTICULAR PURPOSE. RA SHALL HAVE NO LIABILITY TO PURCHASER OR ANY THIRD PARTY FOR ANY SPECIAL, INDIRECT, PUNITIVE, INCIDENTAL, OR CONSEQUENTIAL DAMAGES. RA further disclaims any implied or express warranty of, and assumes no responsibility for, defects in workmanship caused by third parties. This Limited Warranty gives the purchaser specific legal rights; a purchaser may have other rights depending upon where he or she lives. Some jurisdictions do not allow the exclusion or limitation of special, incidental or consequential damages, or limitations on how long a warranty lasts, so the above exclusion and limitations may not apply to everyone. RA does not authorize any person or company to assume for it any other obligation or liability in connection with the sale, installation, use, removal, return, or replacement of its equipment, and no such representations are binding on RA.

RevoAce Inc. Limited

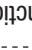
Hong Kong, China

1.800.694.0013

Troubleshooting


Problem	Possible Cause	Prevention/Cure
Burner will not light using igniter (if included)	LP gas tank is low or empty	Replace LP gas tank
	LP gas leak	1. Turn LP gas tank valve to "OFF" 2. Wait 5 minutes for gas to clear 3. Follow "Checking for Leaks" section
	Wires or electrode covered with cooking residue	Clean wire and/or electrode with rubbing alcohol
	Electrode and burners are wet	Wipe dry with cloth
	Electrode cracked or broken - sparks at crack	Replacement part(s) may be needed - contact Customer Care at 1.800.694.0013
	Wire loose or disconnected	Reconnect wire or replacement part(s) may be needed - contact Customer Care at 1.800.694.0013
	Wire is shorting (sparking) between igniter and electrode	Replacement part(s) may be needed - contact Customer Care at 1.800.694.0013
Burner will not light with match	Bad igniter	Replacement part(s) may be needed - contact Customer Care at 1.800.694.0013
	No gas flow	Check if LP gas tank is empty A. If empty, replace B. If LP gas tank is not empty, refer to "Sudden drop in gas flow or reduced flame height" below
	LP gas tank is low or empty	Replace LP gas tank
	LP gas leak	1. Turn LP gas tank valve to "OFF" 2. Wait 5 minutes for gas to clear 3. Follow "Checking for Leaks" section
	Coupling nut and regulator not fully connected	Turning the coupling nut about one-half to three-quarters additional turn until solid stop. Tighten by hand only – do NOT use tools.
	Obstruction of gas flow Spider webs or insect nest in venturi	Clear burner/venturi tube Clean burner/venturi tube
Sudden drop in gas flow or reduced flame height	Burner ports clogged or blocked	Clean burner ports
	Out of gas	Replace LP gas tank
Irregular flame pattern – flame does not run the full length of burner	Burner ports are clogged or blocked	Clean burner ports
	New burner may have residual manufacturing oils	Operate grill for 15 minutes on 🔥 (HIGH) with the lid closed
Flame is yellow or orange	Spider webs or insect nest in burner/venturi tube	Clean burner/venturi tube
	Food residue, grease, etc. on burners	Clean burner
	Poor alignment of valve to burner/venturi tube	Ensure burner/venturi tube is properly engaged with valve
Flame goes out	High or gusting winds	Do not use grill in high winds
	Low on LP gas	Replace LP gas tank
	Overflow valve tripped	Refer to "Sudden drop in gas flow or reduced flame height," above
Flare-up	Grease buildup	Remove and clean all grill parts per "Cleaning and Care" section
	Excess fat in meat	Trim fat from meat before grilling
	Excessive cooking temperature	Adjust (lower) cooking temperature
Persistent grease fire	Grease trapped by food buildup around burner system	1. Turn control knob to "OFF" 2. Leave lid in closed position and let fire burn out 3. After grill cools, remove and clean all grill parts per "Cleaning and Care" section
	Burner and/or burner tubes are blocked	Clean burner and/or burner/venturi tube
Flashback (fire in burner tube(s))	Burner and/or burner tubes are blocked	Clean burner and/or burner/venturi tube
Inside of lid is peeling (like paint peeling)	Baked on grease buildup has turned to carbon and is flaking off.	Clean all grill parts per "Cleaning and Care" section.

Guide de dépannage

Problème	Cause possible	Prévention/mesure corrective
Le brûleur ne s'allume pas en utilisant l'allumeur électrique (si inclus).	Les fils ou l'électrode sont recouverts de résidus de cuisson. L'électrode et les brûleurs sont mouillés. L'électrode est fendue ou brisée, des étincelles apparaissent au niveau de la fente. Le fil est desserré ou déconnecté. Il sera peut-être nécessaire de reconnecter le fil ou de commander une (ou plusieurs) pièce(s) de rechange. Contactez le service à la clientèle au 1.800.694.0013	Nettoyez le fil conducteur et/ou l'électrode avec de l'alcool isopropylique. Essuyez avec un chiffon.
Le brûleur ne s'allume pas avec une allumette.	L'écrou de couplage et le régulateur ne sont pas complètement raccordés. Obstruction du débit de propane. Araignées ou insectes dans le venturi. Les orifices du brûleur sont bouchés ou bloqués. Il n'y a plus de propane. La bouteille de propane est vide ou presque vide.	1. Fermez le gaz en tournant le robinet de la bouteille de propane sur « ARRÊT ». 2. Attendez 5 minutes pour que le gaz se dissipe. 3. Suivez les instructions du chapitre « Détecter une fuite » du manuel. Tournez l'écrou de couplage demi ou trois quart de tour de plus jusqu'à l'arrêt complet. Serrez manuellement sans utiliser d'outils. Nettoyez les tubes des brûleurs. Nettoyez le venturi et le tube du brûleur. Nettoyez les orifices du brûleur. Remplacez la bouteille de propane.
Baisse soudaine du débit de propane ou hauteur réduite de flamme.	Il n'y a plus de propane. Les orifices du brûleur sont bouchés ou bloqués.	Remplacez la bouteille de propane.
Flamme irrégulière, flamme ne se répartissant pas sur toute la longueur du brûleur.	Le nouveau brûleur peut contenir des huiles résiduelles de fabrication. Toiles d'araignées ou nid d'insectes dans le venturi. Résidus d'aliments, de graisse, etc. La valve n'est pas correctement alignée sur le venturi du brûleur	Laissez le barbecue fonctionner sur  (max.) pendant encore 15 minutes avec le couvercle fermé. Nettoyez le venturi. Nettoyez le brûleur.
La flamme est jaune ou orange.	Vent fort ou bourrasques. La bouteille de propane est presque vide. Remplacez la bouteille de propane. Ne pas utiliser le barbecue les jours de vent fort.	Assurez-vous que le venturi du brûleur est correctement raccordé à la valve.
La flamme s'éteint.	Débit excessif; la soupape de sécurité de limitation de débit a peut-être été déclenchée. Accumulation de graisse. La viande est trop grasse. La température de cuisson est trop élevée.	Reportez-vous aux instructions de cette page « Baisse soudaine du débit du propane ou hauteur réduite de flamme ». Retirez et nettoyez toutes les pièces du barbecue en suivant les instructions « Nettoyage et entretien » du manuel d'utilisation. Éliminez la graisse de la viande avant de la griller. Réglez à la baisse la température.
Le feu s'enflamme brusquement.	La viande est trop grasse. Accumulation de graisse. Vent fort ou bourrasques.	Nettoyez le brûleur et/ou les tubes.
Feu de graisse persistant	Graisse piégée par accumulation de nourriture autour des brûleurs.	1. Tournez le bouton de commande sur « ARRÊT ». 2. Laissez le couvercle fermé et laissez le feu se consumer. 3. Après que le barbecue ait refroidi, retirez et nettoyez toutes les pièces en suivant les instructions « Nettoyage et entretien » du manuel d'utilisation.
Retour de flammes (feu dans le ou les tubes de brûleurs).	Le brûleur et/ou ses tubes sont bouchés.	Nettoyez le brûleur et/ou les tubes.
L'intérieur du couvercle s'écaille comme de la peinture.	L'accumulation de graisse cuite s'est transformée en carbone et s'écaille.	Nettoyez rigoureusement le couvercle en suivant les instructions « Nettoyage et entretien » du manuel.

Nettoyage et entretien (suite)

Avant le remisage

1. Fermez le gaz en réglant le robinet de la bouteille de propane sur « CLOSED » (fermé).
2. Tournez le bouton de commande du régulateur sur «  ARRET ».
- Remarque : Vous entendrez un son étouffé, ceci est normal, il s'agit du reste du gaz venant de se consumer.
3. Débranchez la bouteille de propane en suivant les instructions « Débrancher la bouteille de propane ».
4. Nettoyez toutes les surfaces du barbecue.
5. Pour aider à lutter contre la rouille, appliquez une légère couche d'huile de cuisson sur le brûleur.
6. Si vous comptez remiser le barbecue à l'intérieur, débranchez la bouteille de propane et reportez-vous au chapitre « Débrancher la bouteille de propane ».
7. Placez le capuchon protecteur sur la bouteille de propane et entreposez la bouteille à l'extérieur dans un endroit largement aéré et à l'abri des rayons directs du soleil.
8. Si vous comptez entreposer le barbecue à l'intérieur, recouvrez le barbecue avec une housse et rangez-le dans un endroit frais et sec.
9. Si vous comptez remiser le barbecue à l'extérieur, couvrez le barbecue avec une housse de barbecue pour la protéger des intempéries.

Garantie limitée

La société RevAce Inc. Limited (« RA ») garantit cet article au premier acheteur au détail et à aucune autre personne, contre tout vice de matériau et de fabrication pendant un (1) an à partir de la date d'achat si cet article est monté et utilisé conformément aux instructions fournies. RA vous demandera sans doute une preuve raisonnable d'achat datée, veuillez donc conserver votre facture ou votre reçu. Cette garantie limitée se limitera à la réparation ou au remplacement de pièces ayant été déterminées défectueuses par RA lors de conditions d'utilisation et d'entretien normales. Avant de renvoyer une pièce, contactez le service à la clientèle de RA. Si RA confirme le défaut de fabrication et approuve la réclamation, ce dernier remplacera gratuitement les dites pièces. Si vous devez renvoyer des pièces défectueuses, les pièces devront être expédiées port-payé. RA s'engage à renvoyer les pièces à l'acheteur port-payé. Cette garantie limitée ne couvre pas les panes et dysfonctionnements survenant suite à tout accident, mauvais usage, entretien incorrect de cet article, ou toute modification, mauvaise installation ou négligence comme il a été établi dans ce manuel. De plus, cette garantie limitée ne couvre pas les dommages au fini, à savoir les rayures, les bosses, les traces de décoloration, de rouille ou les dommages résultant des intempéries après achat de l'article.

Cette garantie remplace toute autre garantie expresse et il n'existe aucune autre garantie expresse à l'exception de la couverture indiquée ici. RA désavoue toute garantie couvrant des produits ayant été achetés auprès de revendeurs autres que les revendeurs et distributeurs agréés y compris toute garantie de commercialité et d'adaptation à un usage particulier. RA DÉCLINE ÉGALEMENT TOUTE GARANTIE IMPLICITE Y COMPRIS TOUTE GARANTIE DE COMMERCIALITÉ ET D'ADAPTATION À UN USAGE PARTICULIER. RA NE POURRA ÊTRE TENU RESPONSABLE PAR L'ACHETEUR OU UN TIERS POUR TOUTS DÉGÂTS ET DOMMAGES PARTICULIERS, INDIRECTS, PUNITIFS OU CONSÉCUTIFS. De plus, RA désavoue toute garantie expresse ou implicite et décline toute responsabilité en cas de défaut de fabrication causés par un tiers. Cette garantie limitée octroie des droits spéciaux à l'acheteur reconnus par la loi et il est possible que ce dernier en possède d'autres selon sa localité. Certaines juridictions ne permettent pas l'exclusion ni la limitation de dommages consécutifs ou accessoires ni la limitation en temps d'une garantie et ces limitations peuvent ne pas être applicables à tous. RA ne permet en aucun cas à une personne ou à une société de s'attribuer les responsabilités et les obligations liées à la vente, l'installation, l'utilisation, la dépose ou le remplacement de cet article, et aucune de ces représentations n'engage la responsabilité de RA.

RevAce Inc. Limited

Hong Kong, China

1.800.694.0013

Fonctionnement (suite)

2. Fermez le couvercle et préchauffez le barbecue en réglant le bouton de commande du régulateur sur Δ (max).
3. Réglez le bouton de commande du régulateur afin d'obtenir la hauteur de flamme désirée.
4. Soulevez le couvercle en veillant à porter des gants de protection et utilisez des pinces de cuisine à long manche pour disposer les aliments sur les grilles de cuisson, au-dessus des brûleurs allumés.
5. Avec le couvercle ouvert ou fermé, laissez la nourriture cuire jusqu'à ce que la température interne désirée des aliments soit atteinte.
6. Éteignez le barbecue en suivant les instructions du chapitre « Pour éteindre ».


Éliminer les flambées soudaines:

- En cas de feu de graisse, tournez le bouton de commande du régulateur sur « ARRÊT  » NE PAS utiliser d'eau sur un feu de graisse. La graisse risque de vous éclabousser et de provoquer des brûlures graves, des blessures et autres dégâts matériels.

- NE PAS laisser le barbecue sans surveillance lorsque vous préchauffez le barbecue ou brûlez des résidus de nourriture avec le bouton de commande réglé sur Δ (max). Si le barbecue n'a pas été nettoyé régulièrement, vous courez le risque d'un feu de graisse qui risque d'endommager le barbecue.

Les flambées soudaines sont normales et se produisent régulièrement lorsque vous cuisez de la viande au barbecue et donnent un goût unique à vos grillades.

De trop nombreuses flambées soudaines risquent de brûler vos aliments et peuvent être dangereuses. Important: Les trop nombreuses flambées soudaines résultent d'une accumulation de résidus de graisse au fond du barbecue.

En cas de feu de graisse, fermez le couvercle ET réglez le bouton de commande du régulateur sur « ARRÊT  » et laissez la graisse se consumer complètement. Prenez garde lorsque vous ouvrez le couvercle afin d'éviter de vous brûler en cas de retour de flambée soudaine.

En cas de trop nombreuses flambées soudaines, NE PAS verser d'eau sur les flammes.

Minimiser les flambées soudaines

1. Découpez le gras de la viande avant la cuisson.
2. Veillez à cuire les viandes très grasses à petit feu sur Δ (min), ou en effectuant une cuisson indirecte.
3. Assurez-vous que le barbecue se trouve sur une surface dure et non combustible et que la graisse puisse s'égoutter dans un récipient.

Nettoyage et entretien

ATTENTION

1. Tout nettoyage ou entretien doit être effectué lorsque le barbecue est complètement froid et après avoir fermé et débranché la bouteille de propane.
2. NE placez AUCUNE pièce du barbecue dans un four autonettoyant. La chaleur extrême endommagera le fini de la pièce.
3. NE PAS agrandir les orifices des valves ou des brûleurs lors du nettoyage des valves ou des brûleurs.


Avant chaque utilisation:

1. Assurez-vous que la zone autour du barbecue demeure dégagée et dépourvue de matières combustibles, d'essence et d'autres liquides et vapeurs inflammables.
2. Ne pas bloquer ni empêcher le débit d'air de combustion du propane ni de ventilation.
3. Assurez-vous que la (les) ouvertur(e)s de ventilation autour de la bouteille de propane demeurent toujours propres et dépourvues de débris.
4. Vérifiez les flammes du brûleur afin de vous assurer que le barbecue fonctionne correctement (voir illustration 8).
5. Reportez-vous aux paragraphes ci-dessous pour les instructions de nettoyage.
6. Vérifiez et nettoyez les tubes venturés et du brûleur afin de vous assurer qu'ils ne sont pas bouchés par des insectes et leurs nids. Si la tubulure du brûleur est bouchée, ceci risque de provoquer un feu sous le barbecue.

Nettoyage des surfaces du barbecue

1. Essayez les surfaces du barbecue avec un liquide à vaisselle doux ou du bicarbonate de soude mélangé avec de l'eau.
2. Pour les tâches corées, utilisez un dégraisant au citron et une brosse de nettoyage en nylon.
3. Rincez à l'eau.
4. Laissez le barbecue sécher à l'air libre.

Nettoyage du brûleur

1. Tournez le bouton de commande du régulateur sur « ARRÊT  ». Remarque : Vous entendrez un son étouffé, ceci est normal, il s'agit du reste du gaz venant de se consumer.
2. Débranchez la bouteille de propane en suivant les instructions « Débrancher la bouteille de propane ».
3. Retirez le bouton de commande du régulateur et le pare-vent.
4. Retirez les grilles de cuisson et le diffuseur de chaleur.
5. Déconnectez le fil de l'allumeur selon le cas.
6. Retirez le brûleur.
7. Nettoyez les résidus de nourriture et la saleté de la surface du brûleur.
8. Déconnectez le fil de l'électrode.
9. Nettoyez l'entrée du brûleur avec un petit goupillon ou de l'air comprimé.
10. Nettoyez les orifices bouchés avec un fil métallique (un trombone ouvert, par exemple).
11. Vérifiez le brûleur afin de vous assurer qu'il n'est pas endommagé (fissures ou trous). En cas de détériorations, remplacez-le par un brûleur neuf provenant du fabricant.
12. Réinstallez le brûleur. Connectez à nouveau l'allumeur (selon le cas), remettez en place le pare-vent et le bouton de commande du régulateur.
13. Remettez en place le diffuseur de chaleur et la grille de cuisson.
14. Rebranchez la bouteille de propane en suivant les instructions « Brancher la bouteille de propane ».
15. Effectuez le test d'étanchéité afin de vous assurer que le raccord ne présente pas de fuite.

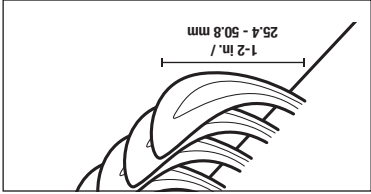
AVIS

1. Ce barbecue doit être vérifié et nettoyé en entier régulièrement.
2. N'utilisez pas de produits de nettoyage abrasifs car ils risquent d'endommager le barbecue.
3. N'utilisez jamais de produit à nettoyer les fours sur une pièce quelle qu'elle soit du barbecue.

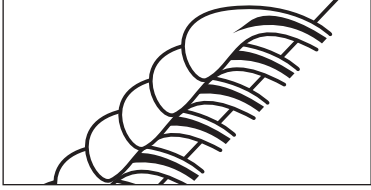
Illustration 8

État de la flamme du brûleur

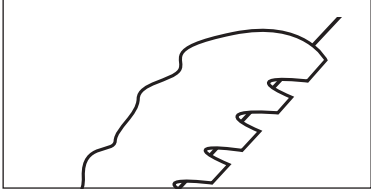
Reportez-vous aux illustrations suivantes afin de savoir si vos brûleurs doivent être nettoyés.



État normal: Flammes bleues claires avec crêtes jaunes entre 2,5 et 5 cm de hauteur.



Le brûleur doit être nettoyé: Brûleur bruyant avec flammes bleues.



Le brûleur doit être remplacé: Flammes jaunes ondulantes.

ATTENTION

Ne pas laisser le barbecue sans surveillance lorsqu'il est en phase de préchauffage ni après la cuisson pendant pour éliminer des résidus de nourriture par chaleur intense avec le brûleur réglé sur Δ (max). Si le barbecue n'est pas nettoyé, un feu de graisse risque de se produire et d'endommager le barbecue.

ATTENTION

▲ Il n'est pas possible d'éteindre les feux de graisse en fermant le couvercle du barbecue.

AVERTISSEMENT

Lors de la cuisson, conserver toujours à portée de main des articles ou matières capables d'éteindre le feu. En cas de feu de graisse ou d'huile, ne pas tenter d'éteindre le feu avec de l'eau. Utiliser un extincteur à poudre BC ou étouffer le feu avec de la terre, du sable ou du bicarbonate de soude. NE PAS tenter d'éteindre le feu avec de l'eau.

Fonctionnement



Ce barbecue a été conçu afin de fonctionner avec une bouteille de propane jetable (DOT 39) d'une livre (approx. 450 g) de 7,75 po. (19,6 cm) ou 10,6 po (27 cm) de hauteur, soit 14,1 ou 16,4 onces. Reportez-vous à l'illustration 1.

Brancher la bouteille de propane

Utilisez uniquement des bouteilles marquées

« Propane ».

Remarque: Du givre risque de se former sur certaines bouteilles 1 lb. (approx. 450 g) lorsqu'elles sont vides.

1. Assurez-vous que le bouton de commande du régulateur est réglé sur « ARRÊT ». Reportez-vous à l'illustration 2.
2. Lubrifiez le filetage du bouton de commande du régulateur avec de la vaseline. Faites correspondre le filetage de la bouteille de propane à celui du bouton de commande du régulateur.
3. Insérez puis tournez la bouteille de propane dans le sens des aiguilles d'une montre jusqu'à ce qu'elle soit correctement ajustée. SERRER UNIFORMEMENT À LA MAIN. Faites attention à ne pas fausser le filetage en tentant de visser la bouteille. Reportez-vous à l'illustration 3.
4. Assurez-vous que le raccord ne présente pas de fuite en effectuant un test d'étanchéité en vous reportant au paragraphe « Rechercher une fuite potentielle ».

Débrancher la bouteille de propane

1. Tournez le bouton de commande du régulateur sur « ARRÊT » . Reportez-vous à l'illustration 2.
2. Tournez la bouteille de propane dans le sens inverse à celui des aiguilles d'une montre jusqu'à ce qu'elle soit desserrée. Reportez-vous à l'illustration 4.
3. Entrez la bouteille de propane dans un endroit adéquat en suivant les instructions figurant sur la bouteille.

Détecter une fuite

Raccordement du brûleur

1. Assurez-vous que le bouton de commande du régulateur est correctement raccordé au brûleur. Remarque: Une fois l'écran en laiton serré, tournez-le 1/4 à 1/2 tour supplémentaire. Le régulateur devrait pouvoir tourner à 360° même lorsque l'écran est serré.

Si le barbecue a été assemblé pour vous, vérifiez visuellement le branchement au niveau du brûleur et du régulateur avec son bouton de commande (voir l'illustration 5).

AVERTISSEMENT : Si vous ne vérifiez pas ce raccord et ne respectez pas ces instructions, vous risquez de provoquer un incendie ou une explosion pouvant entraîner des dégâts matériels, des blessures graves voire la mort.

2. Si le brûleur et le régulateur avec son bouton de commande ne s'imbriquent pas correctement ou si vous avez des questions, veuillez appeler notre service à la clientèle au 1.800.694.0013.

Raccordement de la bouteille et du tuyau de gaz

1. Préparez une solution d'environ 80 ml destinée à détecter les fuites en mélangeant un volume de liquide à vaisselle et 3 volumes d'eau.

2. Vérifiez que le bouton de commande du régulateur du barbecue est sur « ARRÊT » . Reportez-vous à l'illustration 2.
3. À l'aide d'une cuillère ou d'une gourde, versez quelques gouttes de la solution sur tous points de raccord indiqués par un « X » (voir l'illustrations 5).
- a. Si des bulles apparaissent, retirez la bouteille de propane puis rebranchez-la en vous assurant que le raccord est étanche.
- b. Si des bulles persistent après plusieurs tentatives, débranchez la bouteille de propane en suivant les instructions « Débrancher la bouteille de propane » et appelez notre service à la clientèle au 1.800.694.0013.
- c. S'il n'y a toujours pas de bulles après une minute, tournez le bouton de commande du régulateur sur « ARRÊT » , essayez la solution et continuez.

Utiliser le barbecue pour la première fois

1. Assurez-vous d'avoir retiré toutes les étiquettes ainsi que tous les matériaux d'emballage et films protecteurs du barbecue.
2. Avant de cuire quoi que ce soit sur le barbecue pour la première fois, faites fonctionner le barbecue pendant environ 15 minutes avec le couvercle fermé et le bouton de commande sur (max.) afin d'éliminer les huiles résiduelles de fabrication. La chaleur « nettoiera » les pièces internes et dissipera les odeurs.

Pour allumer

ATTENTION : Assurez-vous que la zone autour du barbecue demeure dégagée et dépourvue de matières

combustibles, d'essence et d'autres liquides et vapeurs inflammables.

ATTENTION : Ne pas bloquer ni empêcher le débit d'air de combustion du propane ni de ventilation.

ATTENTION : Assurez-vous que les tubes de venturi et des brûleurs ne sont pas bouchés par des insectes et leurs nids et nettoyez-les si nécessaire. Si la tubulure du brûleur est bouchée, ceci risque de provoquer un feu sous le barbecue.

ATTENTION : Toute tentative d'allumage du brûleur avec le couvercle fermé peut provoquer une explosion !

ATTENTION : Assurez-vous de toujours ouvrir complètement les pieds et sécurisées en place avant d'ouvrir le

couvercle ou d'allumer le barbecue.

1. Ouvrez le couvercle du barbecue.

2. Assurez-vous qu'il n'existe aucune obstruction et que rien ne gêne le débit d'air vers les brûleurs. Des araignées et autres insectes peuvent y élire domicile et boucher le brûleur et le tube venturi au niveau de l'orifice. Si la tubulure du brûleur est bouchée, ceci risque de provoquer un feu en-dessous de l'appareil.

3. Branchez la bouteille de propane en suivant les instructions « Brancher la bouteille de propane ».

4. Tournez le bouton de commande sur (max.).

5. Pressez plusieurs fois le bouton de l'allumeur (3 à 4 fois) pour allumer le brûleur.

6. Si l'appareil ne s'allume pas en 5 secondes, tournez le bouton de commande du régulateur sur « ARRÊT », attendez 5 minutes puis reprenez la procédure d'allumage depuis le début.

7. Si l'allumeur ne parvient pas à allumer le brûleur, utilisez une allumette allumée afin d'allumer manuellement le brûleur. Accédez aux brûleur en introduisant l'allumette dans le trou situé dans le fond de la cuve comme illustré (voir l'illustration 6). Tournez le bouton de commande du régulateur sur (min.) et placez l'allumette sur le côté du brûleur.

8. Après avoir allumé le brûleur, veuillez observer la flamme et vérifiez que tous correspond à celle de l'illustration (voir l'illustration 7).

Pour éteindre

1. Tournez le bouton de commande du régulateur sur « ARRÊT » . Voir

2. Retirez la bouteille de propane en suivant les instructions « Débrancher la

1. Ouvrez le couvercle et allumez le brûleur en suivant les instructions

d'allumage intitulées "Pour allumer."

Cuisson

1. Ouvrez le couvercle et allumez le brûleur en suivant les instructions

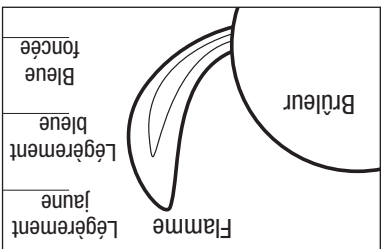
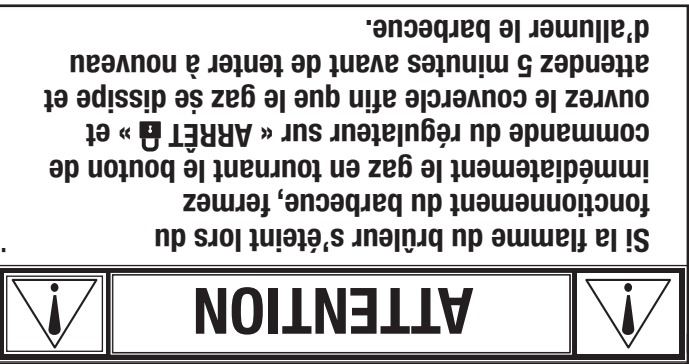


Illustration 7

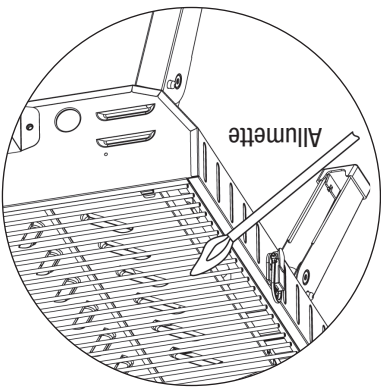


Illustration 6

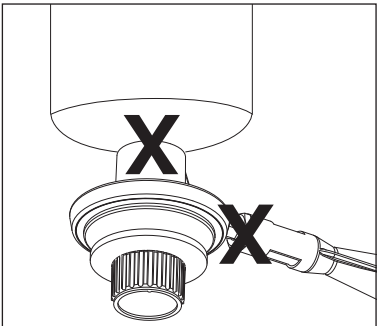


Illustration 5

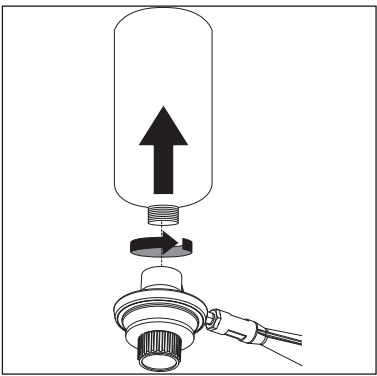


Illustration 4

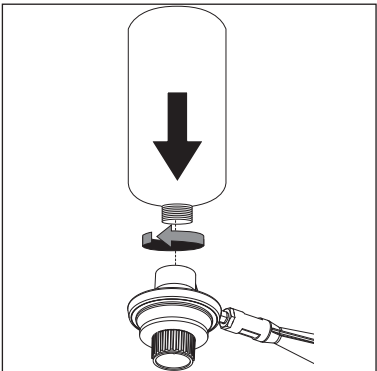


Illustration 3

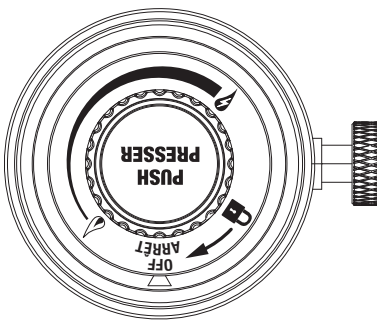


Illustration 2

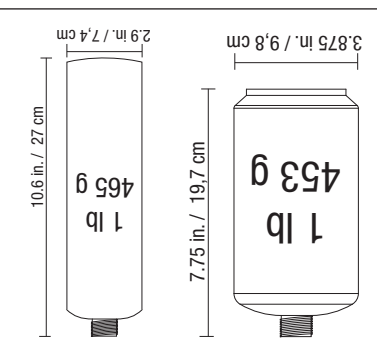
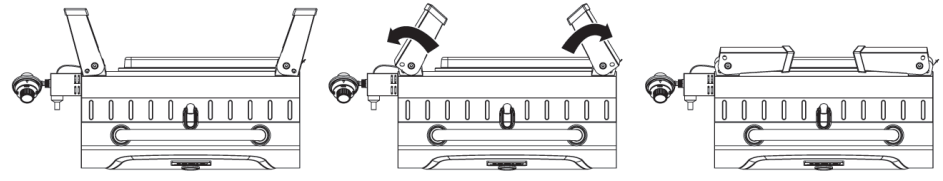
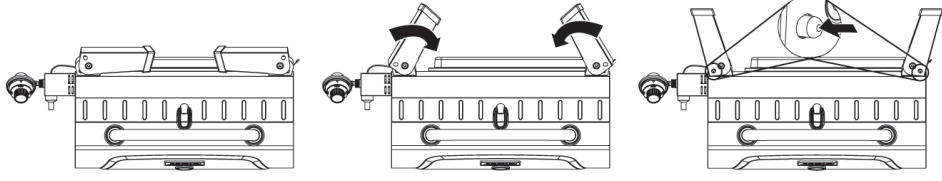


Illustration 1



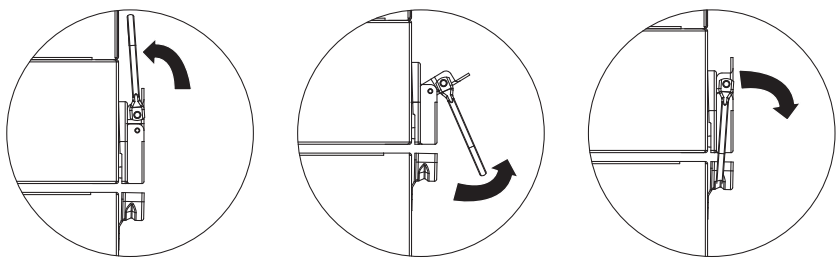
Remarque: Assurez-vous de toujours ouvrir complètement les pieds avant d'allumer le barbecue.

Pour déplier les pieds



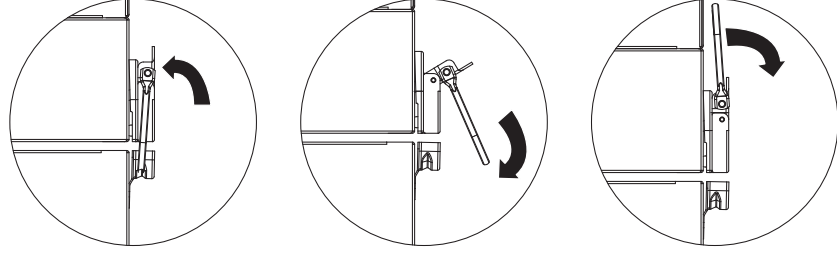
Remarque: Assurez-vous de toujours verrouiller le couvercle avant de replier les pieds.

Pour replier les pieds



Remarque: Assurez-vous de toujours déverrouiller le couvercle et le laisser ouvert avant d'allumer le barbecue.

Pour déverrouiller le couvercle

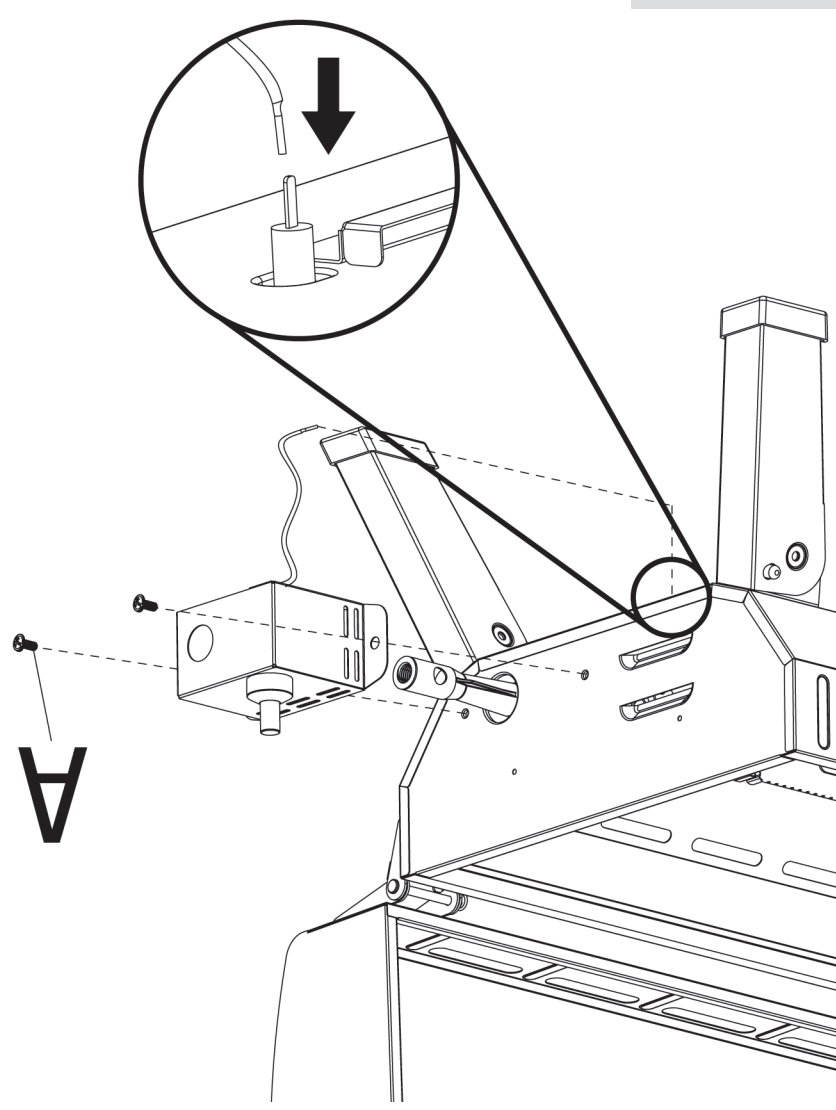


Remarque: Assurez-vous de toujours verrouiller le couvercle avant de transporter le barbecue.

Pour verrouiller le couvercle



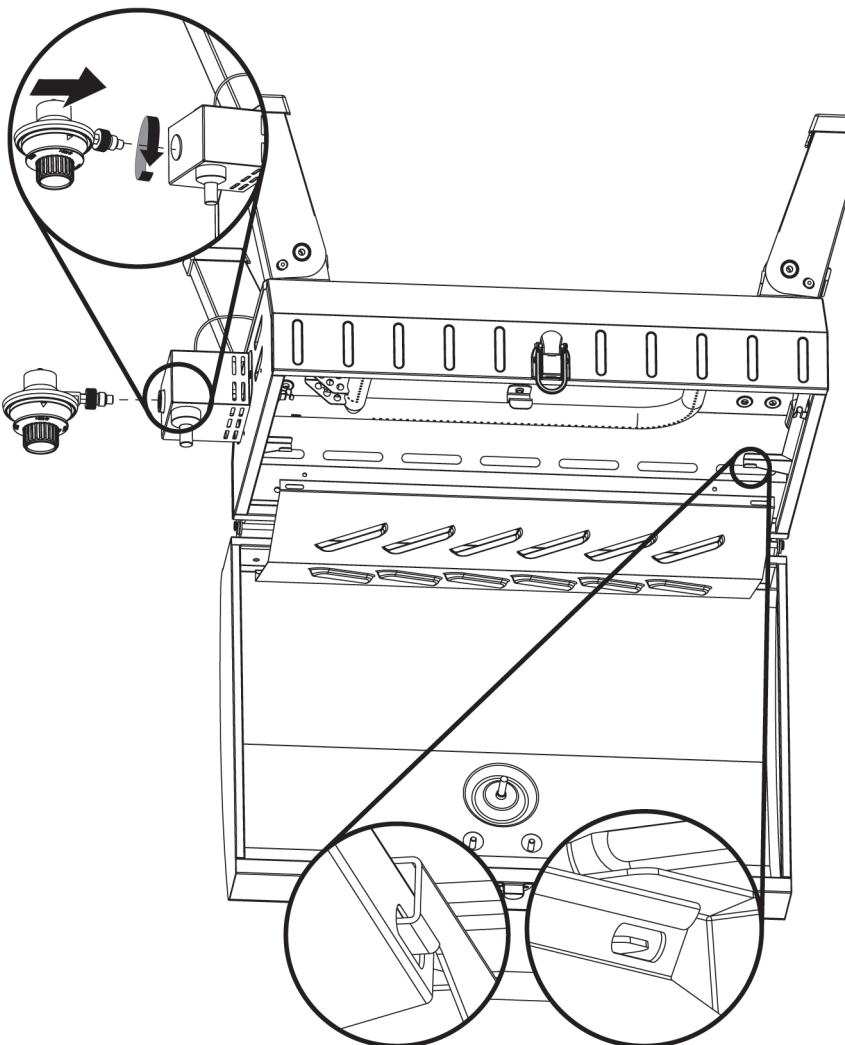
5 Fixer raccorder le fil de l'allumeur et le boîtier de l'allumeur



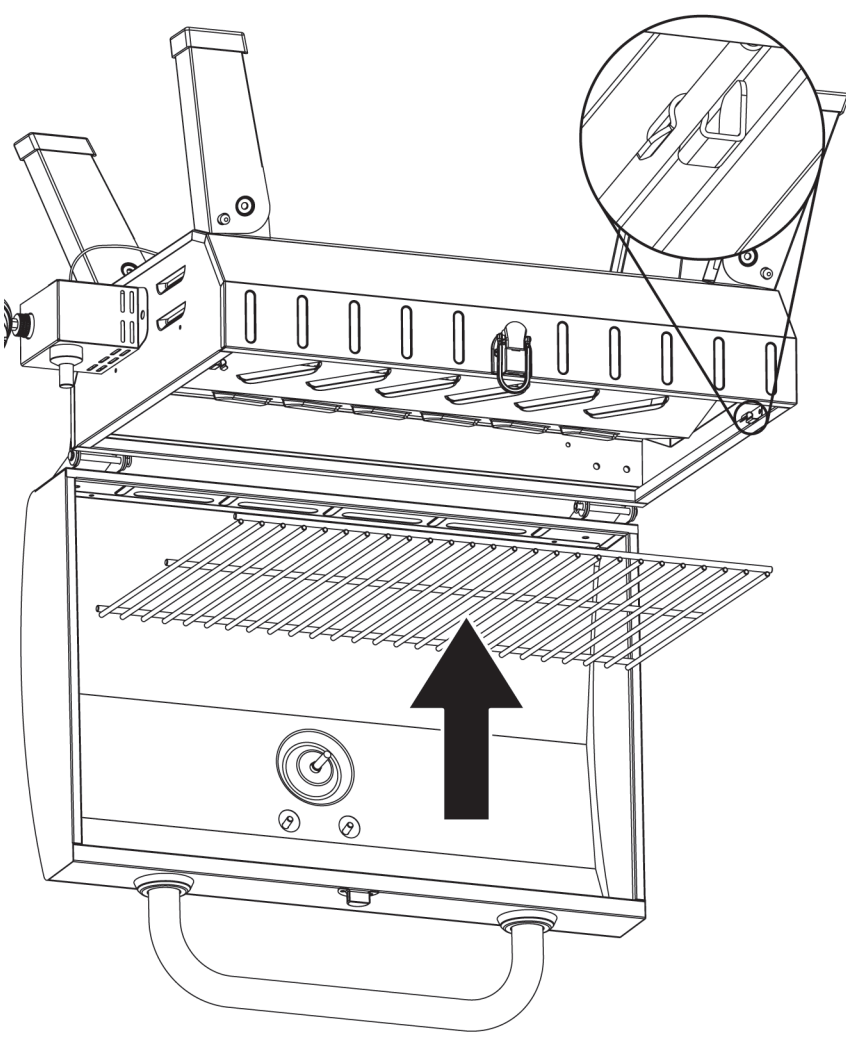
A x 2

6 Placer le diffuseur de chaleur et fixer le régulateur et son bouton de commande

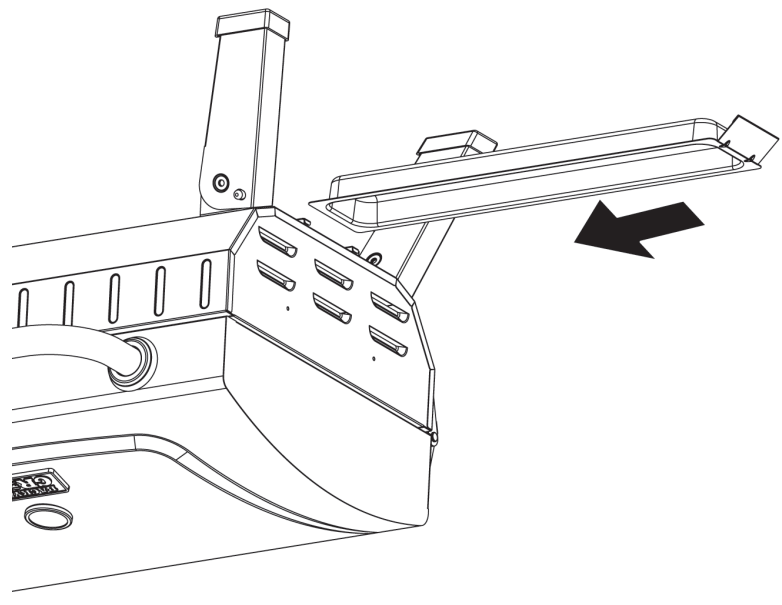
Remarque: Une fois fixé, le régulateur avec son bouton tournera librement afin de pouvoir accueillir la bouteille de propane.



7 Placer la grille de cuisson



8 Insérer le collecteur de graisse



Instructions d'assemblage

NE PAS RETOURNER AU MAGASIN AVEC CET ARTICLE.

Pour toute assistance technique, appelez le numéro sans frais **1.800.694.0013**. Faites en sorte que votre manuel d'utilisation et le numéro de série soient à portée de main afin de pouvoir vous y référer.

Remarque: le numéro du modèle se trouve au dos ou sur le côté du barbecue.

Pour faciliter l'assemblage:

1. Choisissez l'endroit où vous comptez assembler cet article. Pour éviter de perdre des petites pièces ou la quincaillerie d'installation, assemblez cet article sur une surface plane et lisse qui ne comporte pas de trous ni de fissures.

2. Étalez toutes les pièces et la quincaillerie d'installation.

3. Serrez à la main toute les fixations et la visserie en premier.

Une fois l'étape terminée, serrez-les complètement en veillant à ne pas trop les serrer afin d'éviter d'endommager la surface de l'appareil et de fausser le filetage.

4. Suivez toutes les étapes dans l'ordre afin d'assembler

correctement cet article.

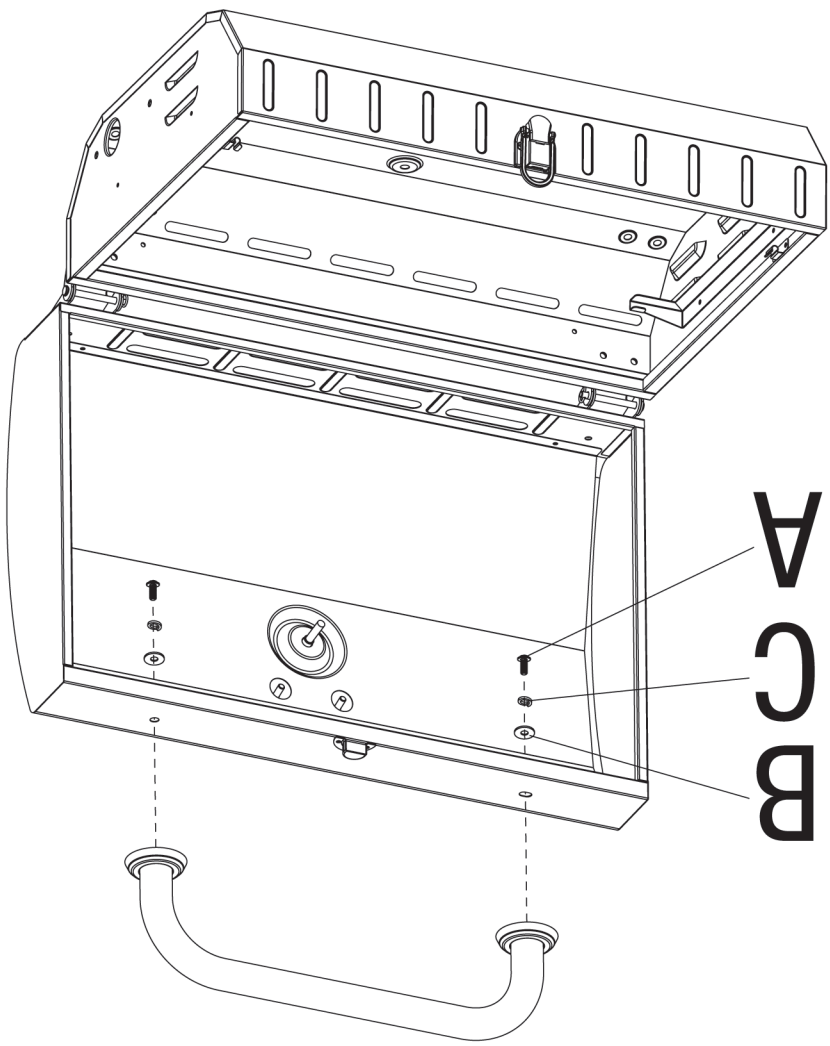
Pour effectuer l'assemblage, vous aurez besoin des choses suivantes:

- une (1) solution de détection de fuites (voir instructions sur la préparation de la solution au chapitre « Fonctionnement »).
- une (1) bouteille de propane de 14,1 onces ou une (1) bouteille de 16,4 onces (1 livre ou approx. 450 g) (non fournis)

Temps d'assemblage: environ 30 minutes.

1

Fixer la poignée du couvercle

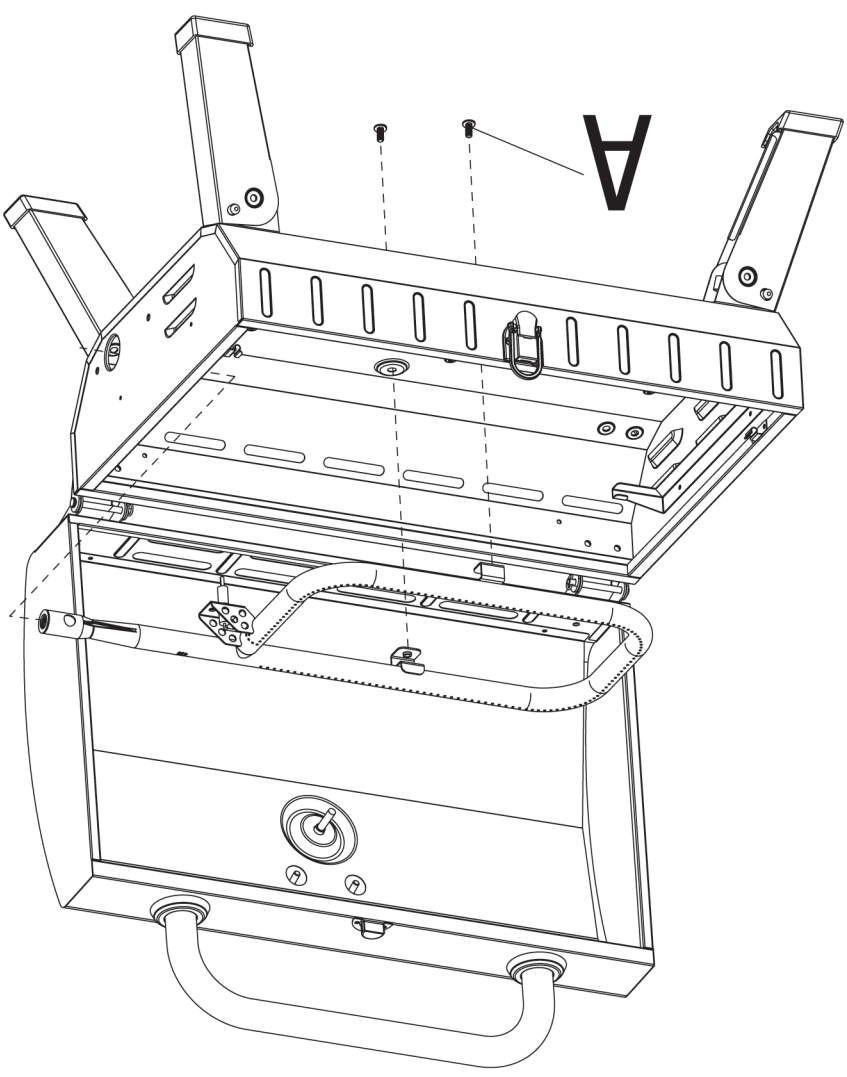


C x 2

A x 2

B x 2

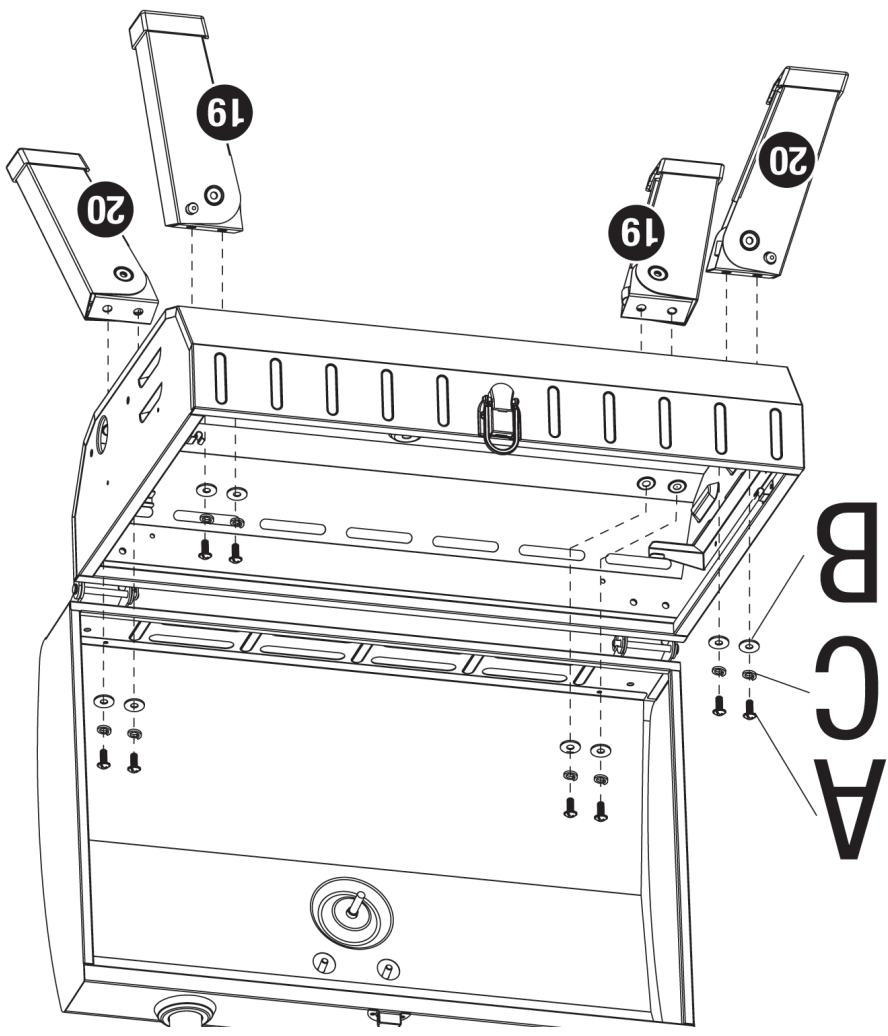
4 Fixer le brûleur



A x 2

2

3 Fixer les pieds

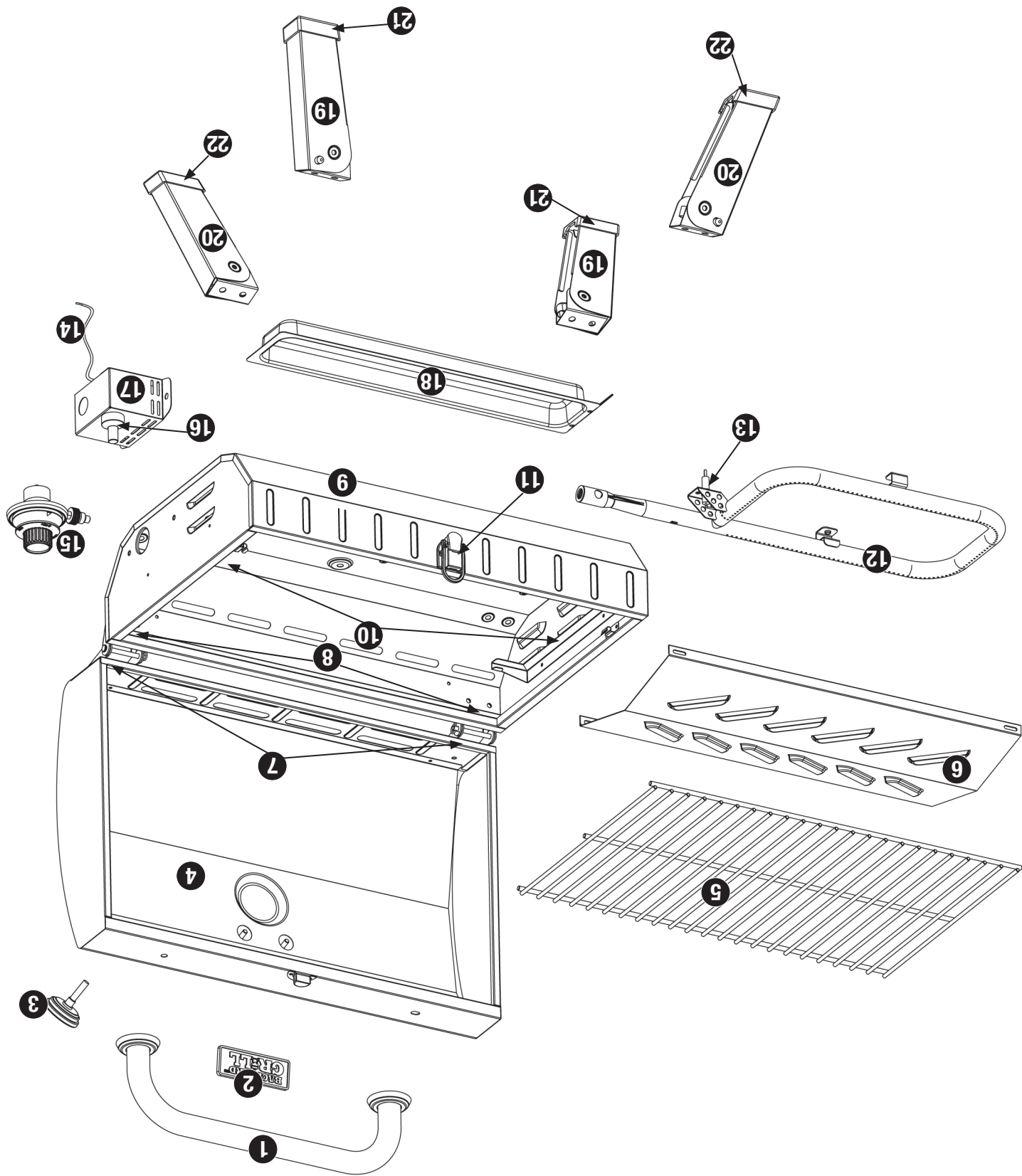


A x 8

C x 8

B x 8

Vue éclatée



Liste des pièces

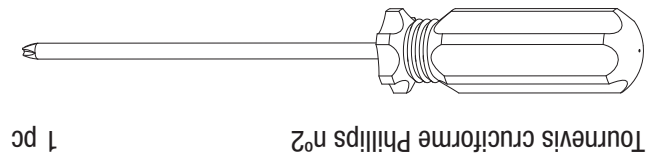
1	Poignée du couvercle	G1654-010
2	Plaque de la marque*	B0109-LC2
3	Indicateur de température* B0104-H80	
4	Couvercle*	G1654-020
5	Grille de cuisson	G1654-040
6	Diffuseur de chaleur	G1654-050
7	Charnière supérieure (2)*	G1654-130
8	Charnière inférieure (2)*	G1654-140
9	Cuve du barbecue*	G1654-030
10	Support du diffuseur de chaleur (2)*	G1654-150
11	Verrou*	C1340-211
12	Brûleur	G1654-060
13	Allumeur*	B0406-000
14	Fil de l'allumeur*	G1654-160
15	Régulateur avec bouton de commande	B0308-C23
16	Bouton de l'allumeur*	B0217-K00
17	Boîtier de l'allumeur*	G1654-070
18	Collecteur de graisse	G1654-080
19	Pied A (2)	G1654-090
20	Pied B (2)	G1654-100
21	Embout de pied A (2)*	G1654-110
22	Embout de pied B (2)*	G1654-120

* Prémonté

Quincaillerie

A	Vis	Acier inoxydable, à tête bombée Phillips M5x12	14 pcs
B	Rondelle	Acier inoxydable, ø5	10 pcs
C	Rondelle de blocage	Acier inoxydable, ø5	10 pcs

Outils requis pour l'assemblage (non fournis)



1 pc

Tournevis cruciforme Phillips n°2

▲ Il est primordial que le régulateur et son bouton de commande, les brûleurs et les orifices permettant la circulation de l'air demeurent propres. Vérifier le barbecue avant chaque utilisation.

▲ NE PAS modifier ce barbecue. Toute modification ou adaptation entraînera l'annulation de la garantie.

▲ NE PAS utiliser le barbecue à moins qu'il ne soit COMPLÈTEMENT assemblé et que les pièces ne soient toutes fixées et serrées.

▲ Ce barbecue doit être vérifié et nettoyé en entier régulièrement. Nettoyer et inspecter le tuyau à chaque fois, avant d'utiliser l'appareil. En cas d'abrasion, d'usure, de coupures ou de fuite, le tuyau doit être remplacé avant d'utiliser cet appareil.

▲ Utiliser uniquement le régulateur fourni. Tout régulateur de recharge doit être celui spécifié par RevOAce Inc. Limited

▲ NE PAS tenter de réparer ou de modifier le régulateur si l'utilisateur pense avoir « découvert » un dysfonctionnement. Toute modification de cette pièce entraînera l'annulation de la garantie et présentera un risque de fuite de gaz et risquera de provoquer un incendie. Utiliser uniquement des pièces de recharge agréées fournies par le fabricant.

▲ Utiliser uniquement des pièces agréées de l'usine RevOAce Inc. Limited. L'emploi de toute pièce non agréée peut être dangereuse et entraînera l'annulation de la garantie.

▲ NE PAS utiliser cet appareil avant de lire le chapitre « Fonctionnement » de ce manuel.

▲ NE PAS toucher les pièces métalliques du barbecue avant qu'il n'ait complètement refroidi afin de ne pas se brûler à moins de porter des vêtements de protection (gants, maniques, attirail de barbecue, etc.).

▲ NE PAS installer ni utiliser cet appareil à bord d'un bateau ou d'un véhicule récréatif.

▲ NE PAS utiliser le barbecue dans le coffre d'un véhicule, à bord d'une voiture familiale, d'une camionnette, d'une mini-fourgonnette ou d'un véhicule utilitaire sport (VUS).

▲ Lors de la cuisson, conserver toujours à portée de main des articles ou matières capables d'éteindre le feu. En cas de feu de graisse, ne pas tenter d'éteindre le feu avec de l'eau. Utiliser un extincteur à poudre BC ou étouffer le feu avec de la terre, du sable ou du bicarbonate de soude.

▲ Placer les tuyaux de gaz le plus loin possible des surfaces chaudes et de l'égouttage des graisses brûlantes.

▲ NE PAS utiliser le barbecue par grand vent.

▲ Ne jamais se pencher au-dessus du barbecue pour l'allumer.

▲ NE PAS laisser un barbecue allumé sans surveillance. Faire en sorte que les enfants et les animaux domestiques et de compagnie se trouvent toujours loin du barbecue.

▲ NE PAS laisser le barbecue sans surveillance lorsqu'il est en phase de préchauffage ni après la cuisson pour éliminer des résidus de nourriture par chaleur intense avec le brûleur réglé sur « HIGH » (max). Si le barbecue n'est pas nettoyé, un feu de graisse risque de se produire et d'endommager le barbecue.

▲ NE PAS placer de récipient vide sur le barbecue lorsqu'il est allumé.

▲ Faire preuve de précautions au moment de placer quelque chose sur le barbecue lorsqu'il est allumé.

Consignes de sécurité importantes MISES EN GARDE



- ▲ Ce barbecue doit être utilisé uniquement à l'extérieur et ne doit pas être utilisé dans un immeuble, un garage ou tout autre espace clos.
- ▲ NE PAS utiliser ou allumer cet appareil à moins de 3,05 m (10 pieds) de tout mur, construction ou immeuble.
- ▲ Pour usage domestique seulement. Ce barbecue N'est PAS destiné à un usage commercial.
- ▲ Ce barbecue n'est pas sensé être utilisé pour se chauffer et ne devrait jamais être utilisé en tant que chauffage d'appoint. Des émanations TOXIQUES peuvent s'accumuler et provoquer l'asphyxie.
- ▲ Il ne s'agit EN AUCUN CAS d'un barbecue de table! Par conséquent, ne jamais placer ce barbecue sur une table quelconque.
- ▲ Ce barbecue est homologué afin de pouvoir être utilisé en toute sécurité uniquement aux États-Unis et au Canada. NE PAS modifier le barbecue en vue de l'utiliser autre part. Toute modification présentera un danger pour l'utilisateur et entraînera l'annulation de la garantie.
- ▲ Ce foyer d'extérieur doit être utilisé uniquement avec du propane liquide (GPL). Toute utilisation de gaz naturel avec ce foyer d'extérieur ou tentative de conversion au gaz naturel de ce foyer d'extérieur est dangereuse et entraînera l'annulation de la garantie.
- ▲ Caractéristiques du propane (GPL) :
- a. Le propane est un gaz inflammable et dangereux si ce dernier n'est pas manipulé correctement. Il est indispensable de connaître les dangers encourus avant d'utiliser tout appareil fonctionnant au propane.
- b. Le propane, qui risque d'exploser sous pression, est plus lourd que l'air, se dépose et demeure au sol.
- c. Le propane à l'état naturel est inodore. Pour votre sécurité, un odorisant ayant l'odeur de choux avariés a été ajouté.
- d. Tout contact du propane avec la peau risque d'entraîner des engelures.

- ▲ Avis aux personnes habitant en appartements : Vérifier auprès de la gérance pour connaître les conditions requises, la réglementation et le code de prévention des incendies de votre complexe d'habitations collectives concernant l'utilisation d'un barbecue au propane. Si permis, utiliser le barbecue à l'extérieur, en le posant au sol et en laissant une distance de sécurité de 3 m (10 pieds) entre le barbecue et toute structure. NE PAS l'utiliser sur ou sous un balcon.
- ▲ Seules les bouteilles marquées « propane » peuvent être utilisées avec ce barbecue.
- ▲ La bouteille de propane doit être fabriquée, marquée et mise en service conformément à la *Réglementation sur les bouteilles de gaz de pétrole liquéfié établie par le Ministère des transports des États-Unis (DOT) ou répondre à la Norme nationale canadienne CAN/CSA-B339 sur les bouteilles, sphères et tubes destinés au transport des marchandises dangereuses.*
- ▲ La bouteille de propane doit être placée afin de faciliter l'extraction des vapeurs de gaz.
- ▲ Toute bouteille bosselée ou présentant des traces de rouille risque d'être dangereuse et devrait être vérifiée par votre fournisseur de bouteilles de propane avant de l'utiliser.
- ▲ Ne pas laisser tomber la bouteille ni la manipuler brusquement ou brutalement!
- ▲ Les bouteilles de propane doivent être entreposées à l'extérieur, hors de la portée des enfants et ne doivent pas être entreposées dans un bâtiment, un garage ou dans tout autre lieu fermé. Les bouteilles de gaz ne doivent jamais être entreposées dans un endroit où la température risque de dépasser 51,6°C (125°F)!
- ▲ Ne pas introduire d'outil ni de corps étranger dans la sortie du robinet de la bouteille de gaz ni dans la soupape de sécurité. Vous risquez d'endommager la soupape et de provoquer une fuite. Toute fuite de propane risque de provoquer une explosion ou un incendie et d'entraîner des blessures graves voire la mort.
- ▲ Ne pas bloquer ni boucher les trous sur les côtés, à l'arrière et au fond du barbecue.
- ▲ Ne jamais garder une bouteille de propane pleine dans une voiture ou dans le coffre d'une voiture sous une forte chaleur. La chaleur peut provoquer une augmentation de la pression du gaz, pouvant provoquer l'ouverture de la soupape de sécurité et lui permettre de s'échapper.
- ▲ Ne jamais entreposer une bouteille de propane de rechange sous le barbecue ou à moins de 7,6 m (25 pieds) du barbecue.
- ▲ Ne jamais essayer de raccorder ce barbecue au circuit de propane d'une tente-caravane, autocaravane ou de votre maison.
- ▲ La prise d'alcool, de médicaments ou de drogues risque de nuire à l'aptitude de l'utilisateur à assembler ou à utiliser cet appareil en toute sécurité.
- ▲ La présence d'odeurs fortes ou si l'utilisateur a un rhume ou une sinusite risque de nuire à la détection du propane. Faire preuve de précaution et de bon sens pour détecter une fuite.
- ▲ Ne jamais utiliser de charbon de bois, de liquide allume-barbecue, de pierres de lave, d'essence, de kérosène, de pétrole lampant ou d'alcool avec ce barbecue.
- ▲ Votre barbecue a été vérifié en usine afin de s'assurer que les raccords ne présentent aucune fuite. Vérifier à nouveau tous les raccords en suivant les instructions de fonctionnement de ce manuel car il est possible qu'ils se soient desserrés lors du transport.
- ▲ Vérifier que l'appareil ne présente aucune fuite même si ce dernier a été assemblé pour vous par quelqu'un d'autre.
- ▲ NE PAS utiliser le barbecue en cas de fuite de gaz. Toute fuite de gaz risque de provoquer un incendie ou une explosion.
- ▲ Il est obligatoire de suivre toutes les procédures de détection de fuite avant d'utiliser cet appareil. Afin d'éviter tout risque d'incendie et d'explosion lorsque l'on recherche une fuite :

- a. Vérifier que le circuit ne présente pas de fuite en effectuant un « test d'étanchéité » avant d'allumer le barbecue à chaque fois que la bouteille de gaz est branchée afin de l'utiliser.
- b. Interdiction de fumer. NE PAS utiliser ni laisser de sources d'ignition à proximité du barbecue lorsque l'on recherche une fuite.
- c. Effectuer le test d'étanchéité en plein air, dans un emplacement bien aéré.
- d. NE PAS utiliser d'allumettes, de briquets ou de flamme nue afin de rechercher une fuite.
- e. La prise d'alcool, de médicaments ou de drogues risque de nuire à l'aptitude de l'utilisateur à assembler ou à utiliser cet appareil en toute sécurité.
- f. La présence de fortes odeurs, ou si vous avez un rhume ou des sinus bouchés, risque de nuire à la détection d'une fuite de propane. Faites preuve de précaution et de bon sens lorsque vous effectuez un test d'étanchéité et recherchez une fuite.
- g. NE PAS utiliser le barbecue avant d'avoir réparé toute les fuites. S'il s'avère impossible d'arrêter une fuite, débrancher la bouteille de propane. Contacter un réparateur ou votre fournisseur de bouteilles de propane.
- ▲ NE PAS utiliser ni entreposer d'essence ou de liquides aux vapeurs inflammables à moins de 7,62 m (25 pieds) de cet appareil.
- ▲ NE PAS utiliser le barbecue en présence de vapeurs et d'émanations explosives. Veiller à ce que la zone autour du barbecue demeure dégagée et dépourvue de matières combustibles, d'essence et d'autres liquides et vapeurs inflammables.
- ▲ S'assurer que toute matière combustible se trouve toujours à une distance de sécurité minimum de 36 po. (91,4 cm) cm sur les côtés et derrière le barbecue. NE PAS utiliser ce barbecue sous un toit ou une structure quelconque suspendue, en saillie ou en surplomb au-dessus du barbecue.

Barbecue d'extérieur au propane

Modèle n° GBT1754W-C

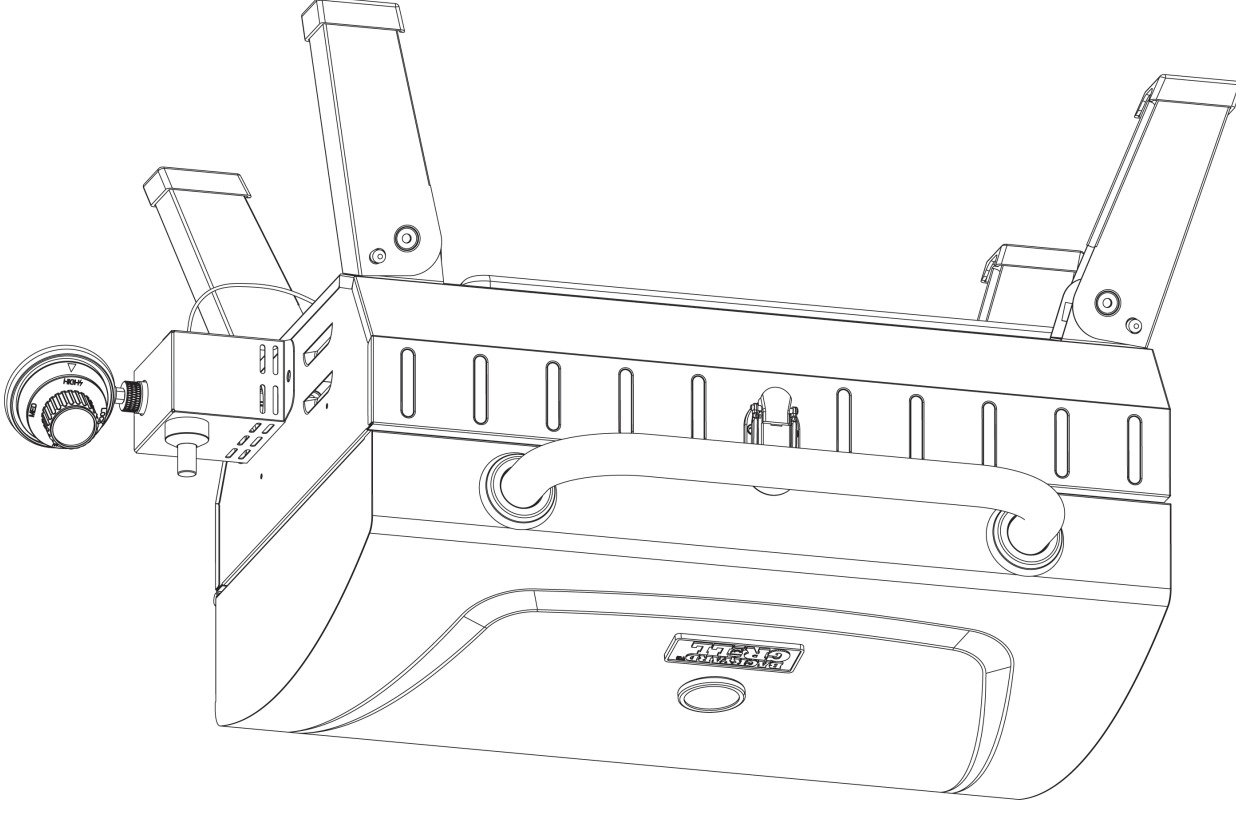


Table des matières

Consignes de sécurité importantes..... Page 2

Vue éclatée des pièces et quincaillerie..... 4

Instructions d'assemblage..... 5

Fonctionnement..... 8

Nettoyage et entretien..... 9

Garantie limitée..... 10

Guide de dépannage..... 11

L'utilisation et l'installation de cet appareil doivent être conformes aux codes locaux. En l'absence de codes locaux, suivre le Code national du gaz combustible, la norme ANSI Z223.1/NFPA 54, le Code d'installation du gaz naturel et du propane, CSA B149.1, ou le Code de stockage et de manipulation du propane, B149.2, ou la norme pour véhicules récréatifs ANSI A 119.2/NFPA 1192, la réglementation CSA Z240 pour séries VR, et le Code sur les véhicules récréatifs selon le cas.

CE MANUEL D'UTILISATION CONTIENT DE L'INFORMATION IMPORTANTE CONCERNANT LA SÉCURITÉ. VEUILLEZ LIRE ET CONSERVER CE MANUEL AFIN DE POUVOIR LE CONSULTER ULTÉRIEUREMENT.

Si vous êtes en train d'assembler cet appareil pour une autre personne, veuillez lui fournir le manuel afin qu'elle puisse le lire et le consulter plus tard.

Vous avez besoin d'aide? 1.800.694.0013



Manufactured in China for: RevoAce Inc. Limited
Hong Kong, China

POUR VOTRE SÉCURITÉ:

1. Toute installation défectueuse ou modification incorrecte ainsi que tout mauvais réglage ou entretien incorrect risque d'entraîner des blessures ou des dégâts matériels.
2. Lire complètement les instructions d'installation, d'utilisation et d'entretien avant d'utiliser ou de procéder à l'entretien de l'appareil.
3. Le non-respect de ces consignes risque de provoquer un incendie ou une explosion et d'entraîner des dégâts matériels, des blessures graves voire la mort.
4. Ce manuel d'utilisation contient des consignes de sécurité indispensables au montage et au bon fonctionnement ce l'appareil.
5. Lire et suivre toutes les mises en garde et instructions avant d'assembler et d'utiliser l'appareil.
6. Suivre toutes les mises en garde et instructions lors de l'utilisation de l'appareil.
7. Conserver ce manuel afin de pouvoir s'y référer ultérieurement.

AVERTISSEMENT



POUR VOTRE SÉCURITÉ:

1. Ne pas entreposer ni utiliser de l'essence ni d'autres vapeurs ou liquides inflammables dans le voisinage de l'appareil, ni de tout autre appareil.
2. Une bouteille de propane qui n'est pas raccordée en vue de son utilisation, ne doit pas être entreposée dans le voisinage de cet appareil ou de tout autre appareil.

AVERTISSEMENT



Ne jamais laisser cet appareil allumé sans surveillance.

DANGER



S'il y a une odeur de gaz:

1. Coupez l'admission de gaz de l'appareil.
2. Éteindre toute flamme nue.
3. Ouvrir le couvercle.
4. Si l'odeur persiste, éloignez-vous de l'appareil et appelez immédiatement le fournisseur de gaz ou le service d'incendie.

DANGER



POUR VOTRE SÉCURITÉ:

Pour usage à l'extérieur seulement
(hors de tout abri clos)

AVERTISSEMENT

