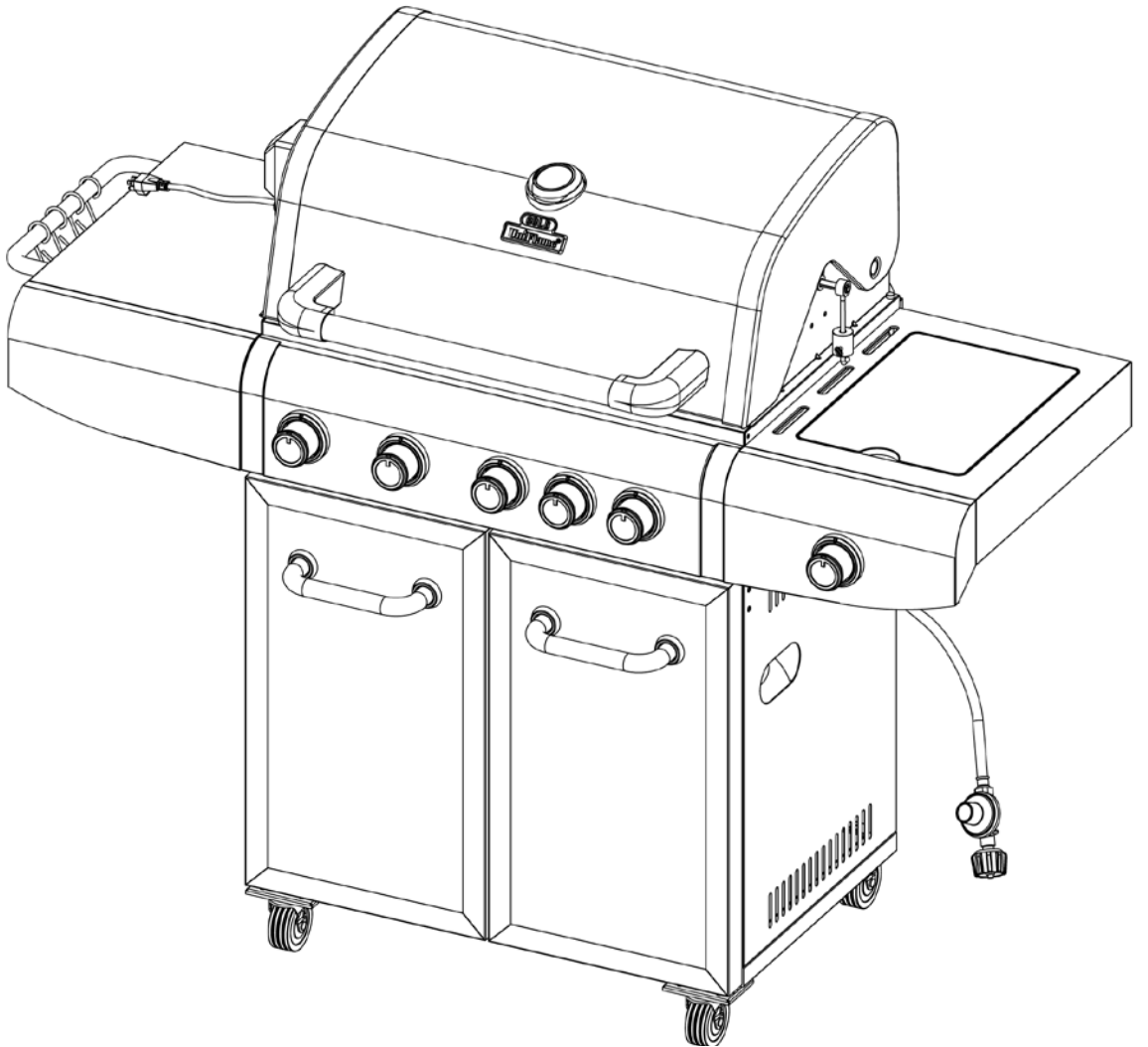


Outdoor LP Gas Barbecue Grill

Model No. GBC1273SP



WARNING
FOR YOUR SAFETY:
For Outdoor Use Only
(outside any enclosure)

WARNING
FOR YOUR SAFETY:

1. Improper installation, adjustment, alteration, service or maintenance can cause injury or property damage.
2. Read the installation, operation, and maintenance instructions thoroughly before installing or servicing this equipment.
3. Failure to follow these instructions could result in fire or explosion, which could cause property damage, personal injury, or death.
4. This instruction manual contains important information necessary for the proper assembly and safe use of the appliance.
5. Read and follow all warnings and instructions before assembling and using the appliance.
6. Follow all warnings and instructions when using the appliance.
7. Keep this manual for future reference.

DANGER

If you smell gas -

1. Shut off gas to appliance.
2. Extinguish any open flame.
3. Open lid.
4. If odor continues, keep away from the appliance and immediately call your gas supplier or your fire department.

WARNING
FOR YOUR SAFETY:

1. Do not store or use gasoline or other flammable liquids or vapors in the vicinity of this or any other appliance.
2. An LP cylinder not connected for use shall not be stored in the vicinity of this or any other appliance.

DANGER

Never operate this appliance unattended.

Table of Contents

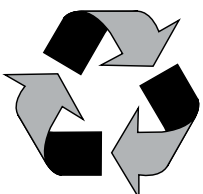
Important Safeguards	Page 2
Exploded View & Hardware	4
Assembly Instructions	5
Assembly Instructions - Rotisserie	11
Instalilling LP Gas Tank	12
Insert LP Gas Tank	12
Secure LP Gas Tank	12
Connect LP Gas Tank	12
Disconnect LP Gas Tank	12
Operating Instructions	12
Checking for Leaks	12
Operating Main Burners	12
Operating Infrared Sear Burner	13
Operating Side Burner	13
Operating Infrared Back Burner	14
Operating Rotisserie	14
Cleaning and Care	14
Product Registration	15
Replacement Parts	15
Limited Warranty	15
Troubleshooting	16

The use and installation must conform with local codes or, in the absence of local codes, with either the *National Fuel Gas Code, ANSI Z223.1/NFPA 54, Natural Gas and Propane Installation Code, CSA B149.1, or Propane Storage and Handling Code, B149.2, or the Standard for Recreational Vehicles, ANSI A 119.2/NFPA 1192, and CSA Z240 RV Series, Recreational Vehicle Code, as applicable.*

THIS INSTRUCTION BOOKLET CONTAINS IMPORTANT SAFETY INFORMATION. PLEASE READ AND KEEP FOR FUTURE REFERENCE.

If you are assembling this unit for someone else, give this manual to him or her to read and save for future reference.

California Proposition 65: Chemicals known to the State of California to cause cancer, birth defects, or other reproductive harm are created by the combustion of propane.



Made from 75% Bagasse
(environmentally friendly sugar
cane pulp by-product)





Important Safeguards

- ▲ **DANGER:** Failure to follow the dangers, warnings and cautions in this manual may result in serious bodily injury or death, or in a fire or an explosion causing damage to property.
- ▲ **WARNINGS:**
- ▲ This grill is for outdoor use only, and should not be used in a building, garage or any other enclosed area.
- ▲ Do NOT operate, light or use this appliance within ten feet (3.05 m) of walls, structures or buildings.
- ▲ For residential use only. This grill is NOT for commercial use.
- ▲ This grill is not intended for and should never be used as a heater. TOXIC fumes can accumulate and cause asphyxiation.
- ▲ This grill is safety certified for use in the United States and/or Canada only. Do NOT modify for use in any other location. Modification will result in a safety hazard and will void your warranty.
- ▲ This grill is for use with liquid propane (LP) gas only. The conversion to or attempted use of natural gas in this LP gas grill is dangerous, may cause bodily harm and will void your warranty.
- ▲ LP gas characteristics:
 - a. LP gas is flammable and hazardous if handled improperly. Become aware of the characteristics before using any LP gas product.
 - b. LP gas is explosive under pressure, heavier than air, and settles/pools in low areas.
 - c. LP gas in its natural state has no odor. For your safety, an odorant is added that smells like rotten cabbage.
 - d. Contact with LP gas can cause freeze burns to skin.
- ▲ Apartment dwellers: Check with management to learn the requirements and fire codes for using a LP gas grill in your apartment complex. If allowed, use outside on the ground floor with a ten foot (3.05 m) clearance from any structure. Do NOT use on or under balconies.
- ▲ LP gas cylinder needed to operate. Only cylinders marked "propane" may be used.
- ▲ The LP gas cylinder must be constructed and marked in accordance with the *Specifications for LP-gas Cylinders* of the U.S. Department of Transportation (D.O.T.) or the National Standard of Canada, *CAN/CSA-B339, Cylinders, Spheres and Tubes for the Transportation of Dangerous Goods; and Commission*.
- ▲ LP gas cylinder must be arranged for vapor withdrawal.
- ▲ The LP gas cylinder must have a listed overfilling prevention device (OPD).
- ▲ Only use LP gas cylinders equipped with a cylinder connection device compatible with the connection for outdoor cooking appliances.
- ▲ The LP gas cylinder must have a cylinder collar to protect the cylinder valve.
- ▲ Never use a LP gas cylinder with a damaged body, valve, collar or footing.
- ▲ Dented or rusted LP gas cylinders may be hazardous and should be checked by your LP gas supplier prior to use.
- ▲ The LP gas cylinder should not be dropped or handled roughly.
- ▲ LP gas cylinders must be stored outdoors out of the reach of children and must not be stored in a building, garage or any other enclosed area. Your cylinder must never be stored where temperatures can reach over 125°F.
- ▲ Do NOT insert any tool or foreign object into the valve outlet or safety relief valve. You may damage the valve and cause a leak. Leaking propane may result in an explosion, fire, severe personal injury or death.
- ▲ Do NOT block holes in sides or back of grill.
- ▲ Never keep an LP gas cylinder in a hot car or trunk. Heat will cause the gas pressure to increase, which may open the relief valve and allow gas to escape.
- ▲ Place dust cap on cylinder valve outlet whenever the cylinder is not in use. Only install the type of dust cap on the cylinder valve outlet that is provided with the cylinder valve. Other types of caps or plugs may result in leakage of propane.
- ▲ If grill is not in use, the gas must be turned off at the supply cylinder and disconnected.
- ▲ Do NOT store a spare LP gas cylinder under or near this appliance.
- ▲ Never fill the cylinder beyond 80 percent full.
- ▲ A fire causing serious injury or damage to property may occur if the above is not followed exactly.
- ▲ Never attempt to attach this grill to the self-contained LP gas system of a camper trailer, motor home or house.
- ▲ Never use charcoal, lighter fluid, lava rocks, gasoline, kerosene or alcohol with this product.
- ▲ Your grill has been checked at all factory connections for leaks. Recheck all connections as described in the "Operating Instructions" section, as shipping can loosen connections.
- ▲ Check for leaks even if your unit was assembled for you by someone else.
- ▲ Do NOT operate if a gas leak is present. Gas leaks may cause a fire or explosion.
- ▲ You must follow all instructions in "Checking for Leaks" section before operating. To prevent fire or explosion hazard when testing for a leak:
 - a. Always perform a leak test before lighting the grill and each time the cylinder is connected for use.
 - b. No smoking. Do NOT use or permit sources of ignition in the area while conducting a leak test.
 - c. Conduct the leak test outdoors in a well-ventilated area.
 - d. Do NOT use matches, lighters, or a flame to check for leaks.
 - e. The use of alcohol, prescription or non-prescription drugs may impair the consumer's ability to properly assemble or safely operate the appliance.
 - f. Strong odors, colds, sinus congestion, etc. may prevent the detection of propane. Use caution and common sense when testing for leaks.
 - g. Do NOT use grill until any and all leaks are corrected. If you are unable to stop a leak, disconnect the LP gas supply. Call a gas appliance serviceman or your local LP gas supplier.
- ▲ This grill is designed to operate at an inlet pressure of: 11 inches water column.
- ▲ Do NOT store or use gasoline or other flammable liquids or vapors within 25 feet (7.62 m) of this appliance.
- ▲ Do NOT use in an explosive atmosphere. Keep grill area clear and free from combustible materials, gasoline and other flammable vapors and liquids.
- ▲ Minimum clearance from sides and back of unit to combustible construction is 36 inches (91.4 cm). Do NOT use this appliance under any type of overhang or roof.
- ▲ It is essential to keep the grill's valve compartment, burners and circulating air passages clean.
- ▲ Inspect grill before each use.
- ▲ Do NOT alter grill in any manner. Any alteration will void your warranty.
- ▲ Do NOT use the grill unless it is COMPLETELY assembled and all parts are securely fastened and tightened.
- ▲ Do NOT build this model of grill in any built-in or slide-in construction. Ignoring this warning could cause a fire or an explosion that can damage property and cause serious bodily injury or death.
- ▲ This grill should be thoroughly cleaned and inspected on a regular basis.
- ▲ Clean and inspect the hose before each use of the appliance. If there is evidence of abrasion, wear, cuts or leaks, the hose must be replaced prior to operation.
- ▲ Use only the regulator and hose assembly provided. Use only the replacement regulator and hose assembly specified by Blue Rhino Global Sourcing, Inc.
- ▲ Use only Blue Rhino Global Sourcing, Inc. factory-authorized parts. The use of any part that is not factory-authorized can be dangerous and will void your warranty.
- ▲ Do NOT operate this appliance without reading "Operating Instructions" in this manual.
- ▲ Do NOT touch metal parts of grill until they have completely cooled (about 45 min.) to avoid burns, unless you are wearing protective gear (pot holders, gloves, BBQ mittens, etc.).

- ▲ Do NOT install or use in or on boats or recreational vehicles.
- ▲ When cooking, fire extinguishing materials should be readily accessible. In the event of an oil/grease fire, do NOT attempt to extinguish with water. Use type BC dry chemical fire extinguisher or smother with dirt, sand or baking soda.
- ▲ Do NOT use grill in high winds.
- ▲ Never lean over the grill when lighting.
- ▲ Do NOT leave a lit grill unattended. Keep children and pets away from grill at all times.
- ▲ Do NOT leave grill unattended while preheating or burning off food residue on high. If grill has not been cleaned, a grease fire can occur that may damage the product.
- ▲ Do NOT place empty cooking vessels on the appliance while in operation.
- ▲ Use caution when placing anything on the grill while the appliance is in operation.
- ▲ Do NOT attempt to move grill when in use. Allow the grill to cool before moving or storing.
- ▲ LP gas cylinder must be properly disconnected and removed prior to moving this grill.
- ▲ Storage of grill indoors is permissible only if the cylinder is disconnected, removed from the grill and properly stored outdoors.
- ▲ Always open grill lid carefully and slowly as heat and steam trapped within grill can cause severe burns.
- ▲ Do NOT attempt to disconnect the gas regulator from the cylinder or any gas fitting while the grill is in use.
- ▲ Always place your grill on a hard, non-combustible, level surface. An asphalt or blacktop surface may not be acceptable for this purpose.
- ▲ Move gas hoses as far away as possible from hot surfaces and dripping hot grease.
- ▲ Keep all electrical cords away from a hot grill.
- ▲ After a period of storage and/or nonuse, check for leaks, burner obstructions and inspect for any abrasion, wear or cuts to the hose.
- ▲ Failure to open lid while igniting the grill's burners, or not waiting 5 minutes to allow the gas to clear if the grill does not light, may result in an explosive flame-up.
- ▲ Never operate grill without its heat plates installed.
- ▲ Always use a meat thermometer to ensure food is cooked to a safe temperature.
- ▲ Use protective gloves when assembling this product.
- ▲ Do NOT force parts together as this can result in personal injury or damage to the product.
- ▲ Never cover entire cooking area with aluminum foil.
- ▲ Deaths, serious injury or damage to property may occur if the above is not followed exactly.

Parts List		Exploded View	
1	Warming Rack	55-22-043	
2	Cooking Grid (3)	55-22-044	
3	Temperature Gauge*	55-22-049	
4	Grill Body Assembly*	55-22-075	
5	Lid Handle*	55-22-046	
6	Lid*	55-22-620	
7	Heat Plate (3)	55-22-048	
8	Side Burner Grid	55-22-049	
9	Side Burner	55-22-913	
10	Regulator/Hose Assembly*	55-08-091	
11	Infrared Back Burner*	55-22-051	
12	Burner (3)*	55-22-050	
13	Infrared Sear Burner*	55-22-051	
14	Control Knob Bezel (6)	55-08-071	
15	Control Knob (6)	55-09-341	
16	Right Side Shelf Assembly*	55-22-052	
17	Towel Bar	55-07-548	
18	Tool Hook (4)*	55-07-729	
19	Left Side Shelf	55-22-053	
20	Left Side Shelf Front Panel	55-22-054	
21	Right Side Shelf Front Panel	55-22-055	
22	Rotisserie Motor	55-22-056	
23	Rotisserie Motor Support	55-22-057	
24	Rotisserie Fork (2)	55-10-261	
25	Rotisserie Handle	55-22-058	
26	Rotisserie Counterweight	55-22-059	
27	Rotisserie Rod	55-22-060	
28	Grease Cup	55-11-018	
29	Grease Tray	55-22-061	
30	Basket (2)	55-09-337	
31	Cart Frame Support	55-22-062	
32	Basket Support (4)	55-22-063	
33	Left Side Panel	55-22-064	
34	Rear Panel	55-22-065	
35	LP Gas Tank Retainer Wire*	55-22-066	
36	Right Side Panel	55-22-067	
37	Door Handle (2)	55-22-068	
38	Left Door	55-23-621	
39	Right Door	55-23-622	
40	Lighting Hook*	55-07-331	
41	Bottom Shelf	55-22-071	
42	Front Cart Frame Support	55-22-072	
43	Door Magnet (4)*	55-10-174	
44	Rear Locking Wheel (2)	55-22-073	
45	Front Wheel (2)	55-22-074	

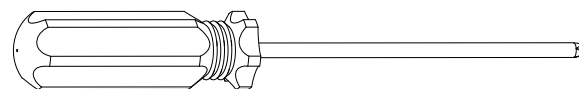
* Pre assembled

Hardware

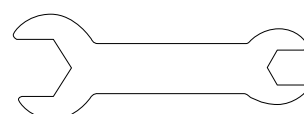
A	Screw	M4x12 Nickel Plated Phillips Truss Head	12 pcs
B	Screw	M6x12 Nickel Plated Phillips Truss Head	33 pcs
C	Screw	M6x60 Nickel Plated Phillips Truss Head	4 pcs
D	Bolt	M6x15 Nickel Plated Hex Head	20 pcs
E	Nut	M6 Nickel Plated	10 pcs
F	Washer	ø6.5x13 Nickel Plated	10 pcs
G	Washer	ø6.5x18 Nickel Plated	14 pcs
H	Lock Washer	ø6.5 Nickel Plated	10 pcs

Tools Required for Assembly (Included)

#2 Phillips Head Screwdriver 1 pc



M10-M6 Wrench 1 pc



Assembly Instructions

1 DO NOT RETURN TO PLACE OF PURCHASE.

For assistance, call 1.800.762.1142 toll-free. Please have your Owner's Manual and model number available for reference.

Note: The model number is printed on a label which can be found on the inside door, back or side of the cart assembly.

Assembly Tips:

1. Select an area where you will assemble this product. To protect components, choose a smooth surface that's free of cracks or openings.
2. Spread out all parts.
3. Tighten all hardware connections by hand first. Then, before completing each step, go back and fully tighten all hardware. Be careful not to over-tighten. That could damage surfaces or strip threads.
4. For best results, complete each step in the order presented.

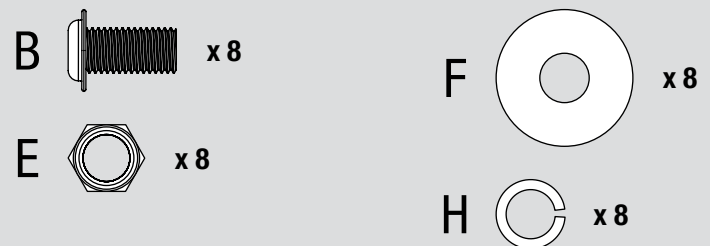
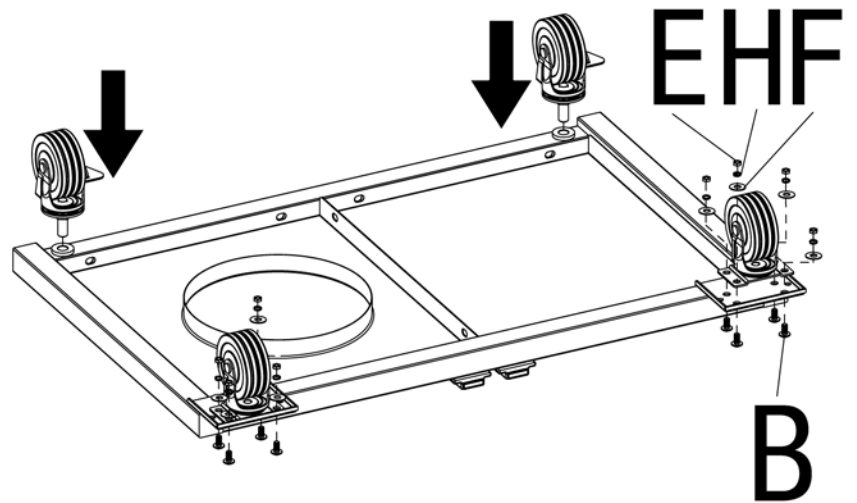
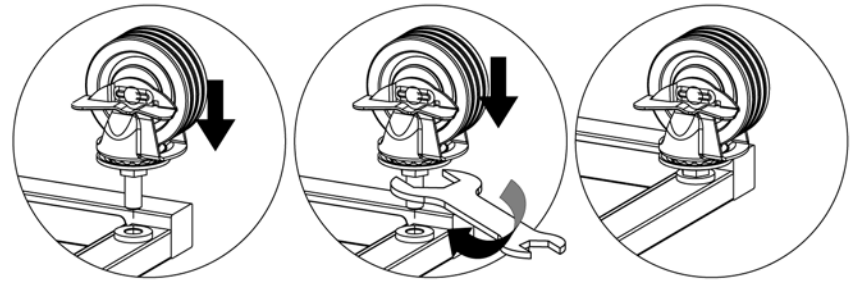
To complete assembly you will need:

- (1) Leak detection solution (instructions on how to make the solution are included in the "Operating Instructions" section of this manual).
- (1) Precision-filled LP gas grill tank with Acme Type 1 external threaded valve connection (standard grill size).

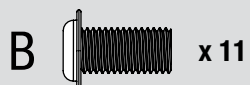
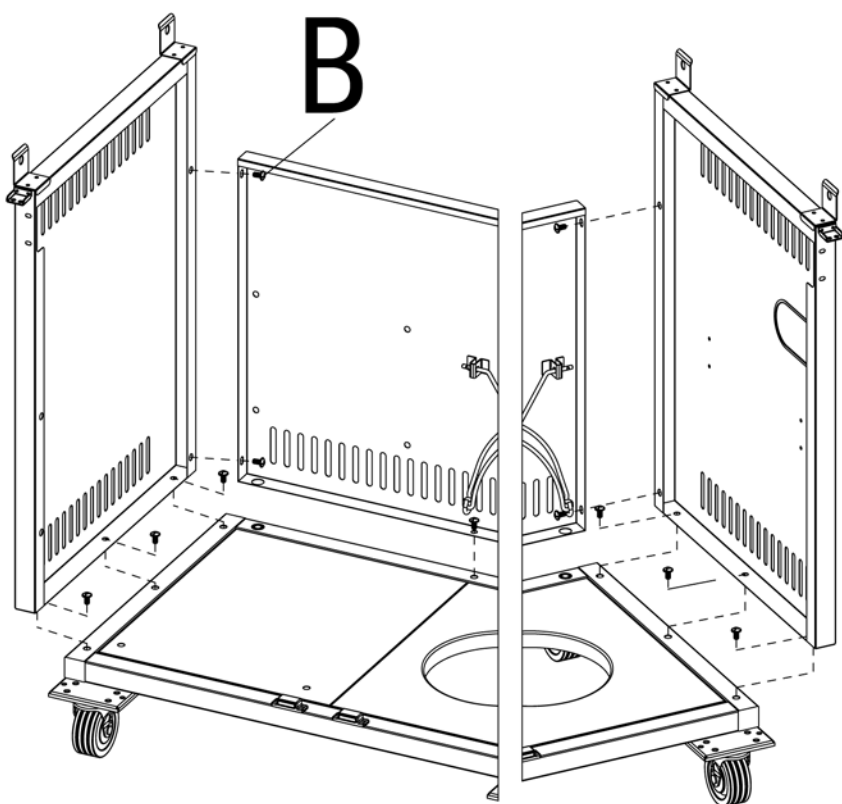
Typical assembly is approximately one hour.

2 Attach Wheels

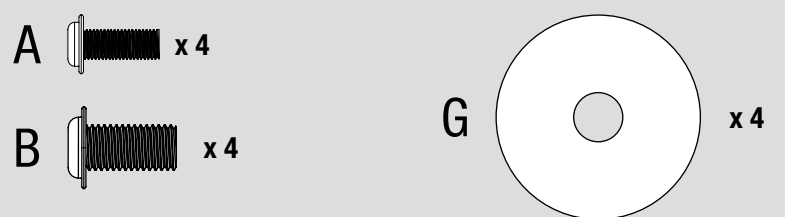
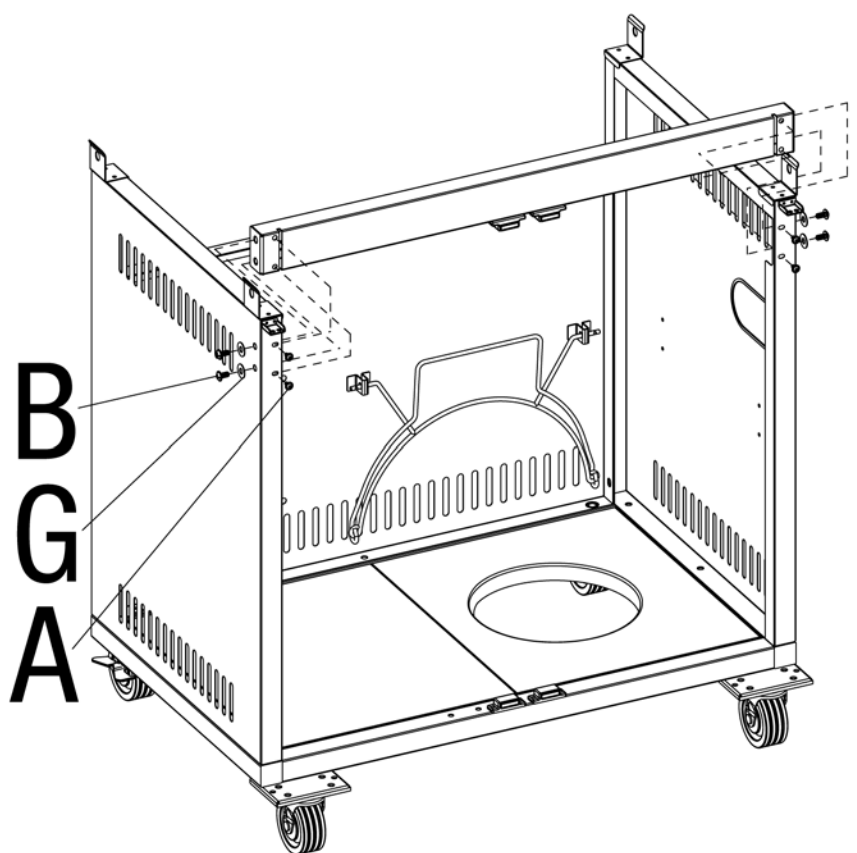
Note: Locking wheels get attached in the back.



3 Attach Side and Rear Panels



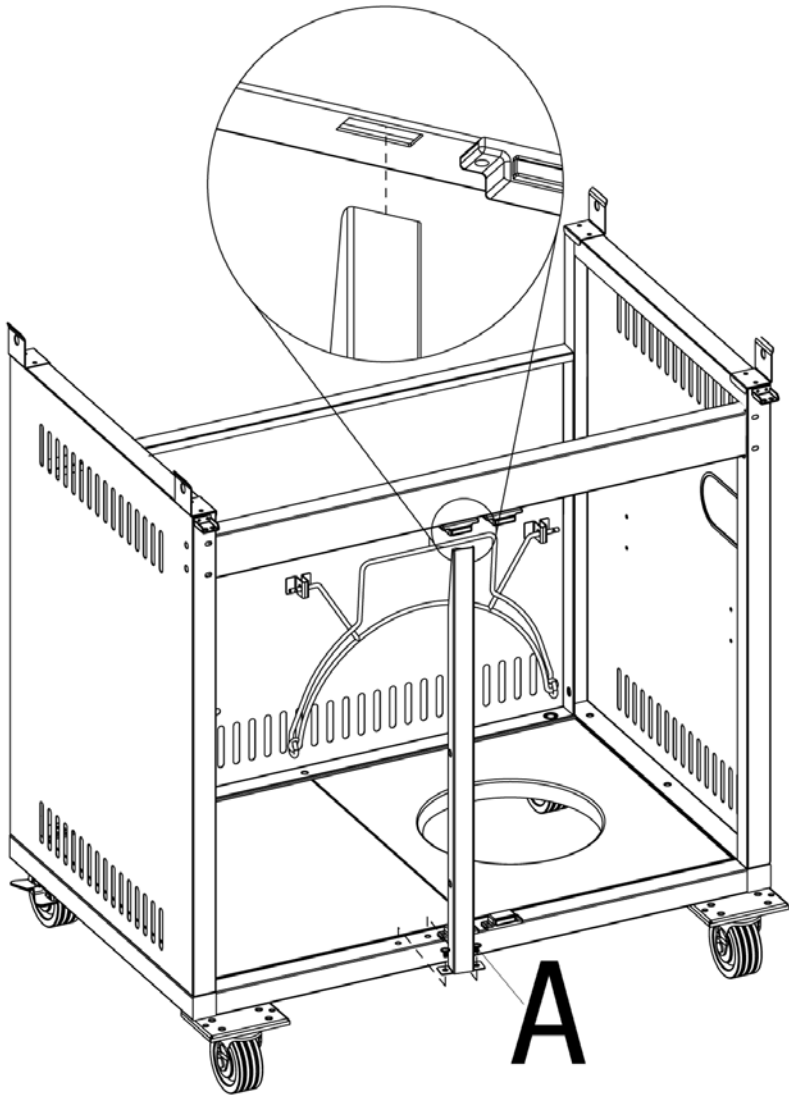
4 Attach Front Cart Frame Support

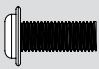


Assembly Instructions

5

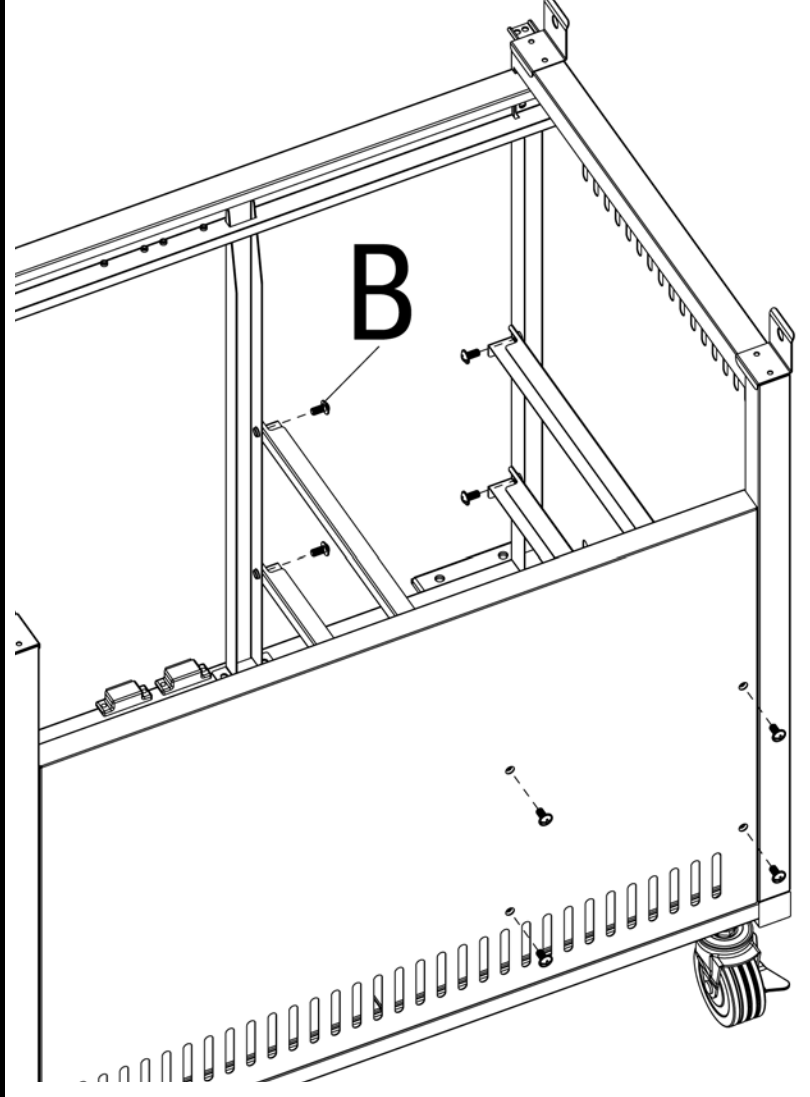
Attach Cart Frame Support

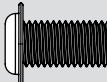


A  x 2

6

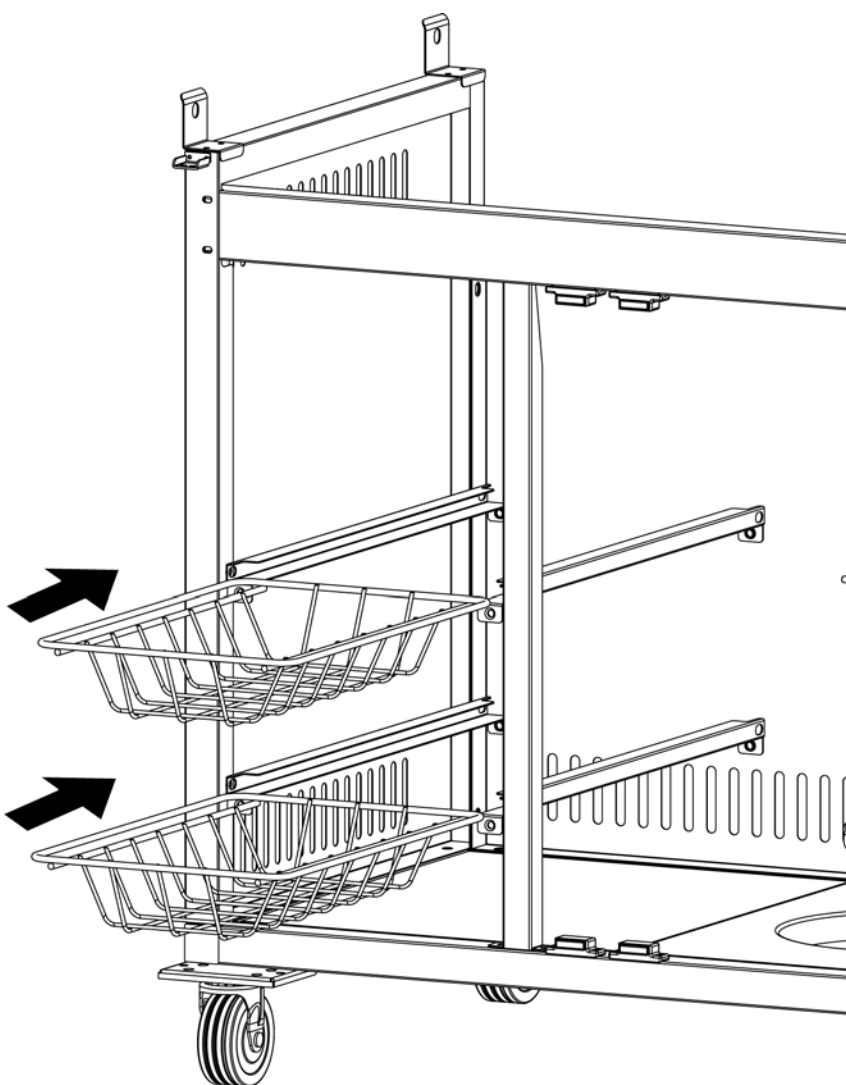
Attach Basket Supports



B  x 8

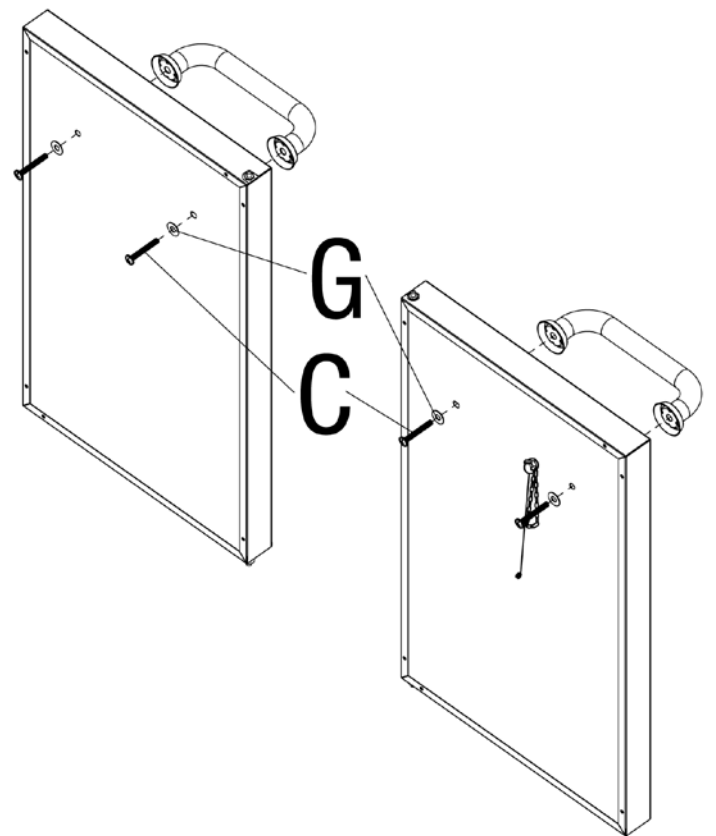
7


Insert Baskets

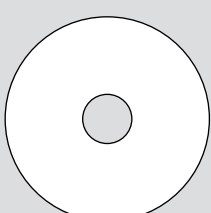


8

Attach Door Handles

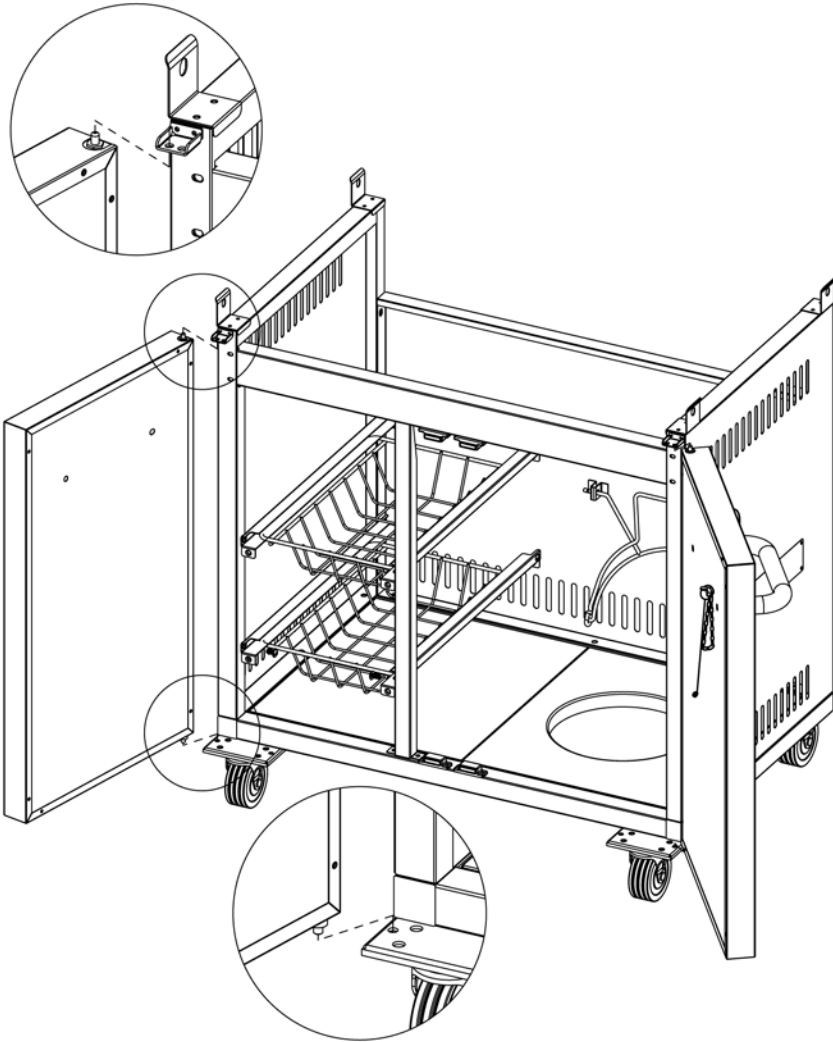


C  x 4

G  x 4

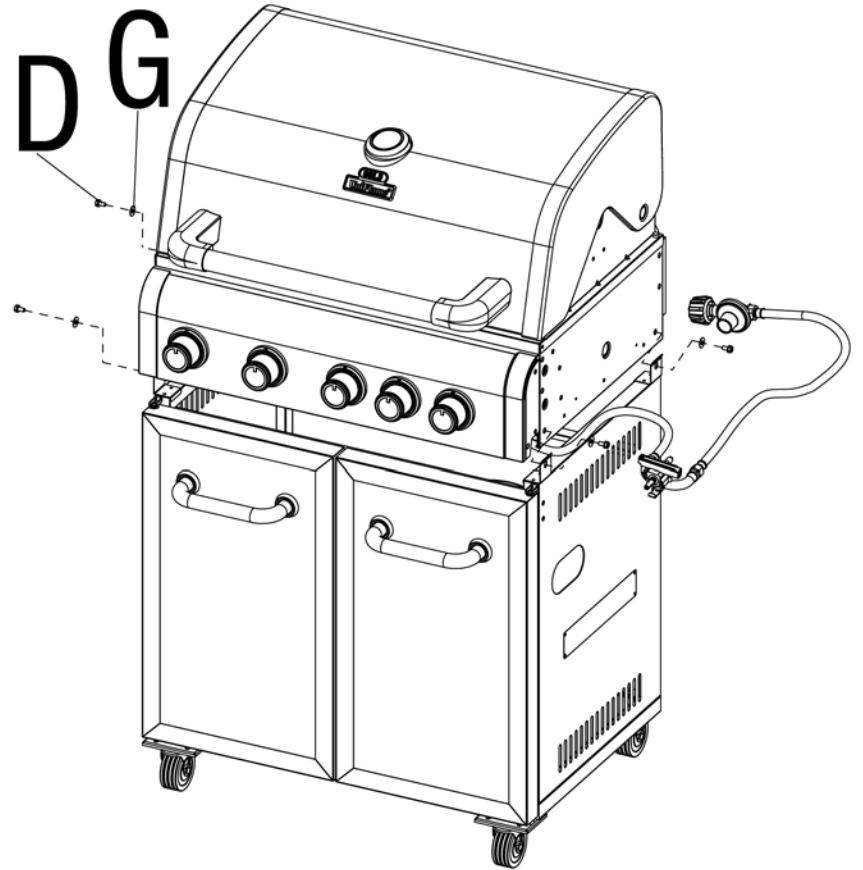
9

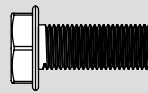
Attach Doors

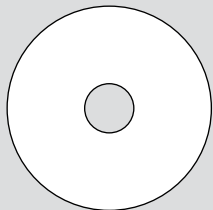


10

Attach Grill Body Assembly

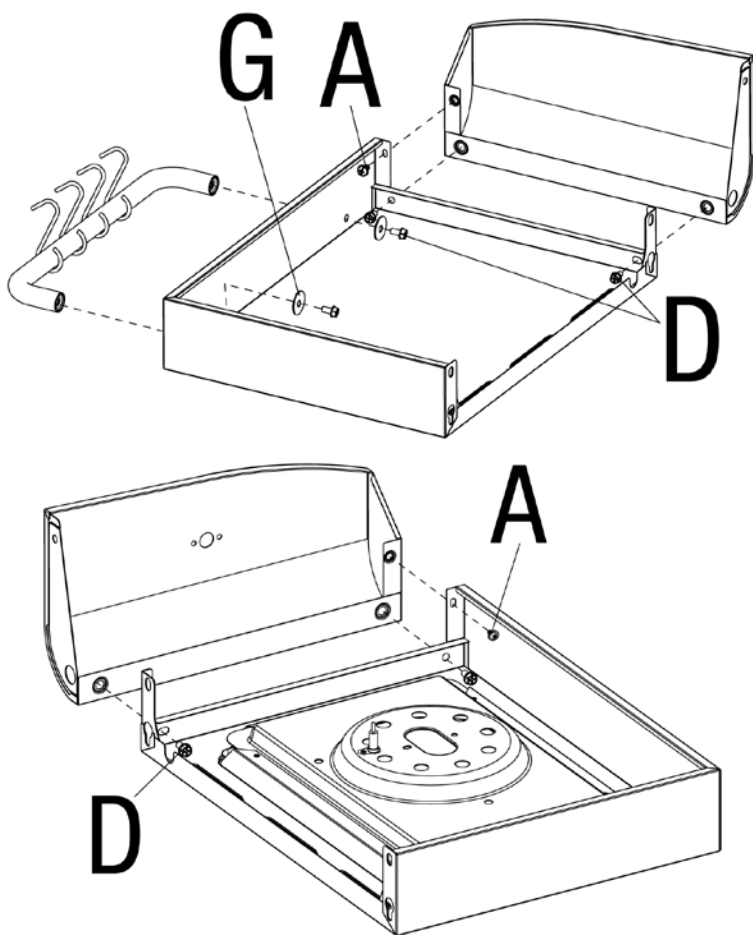



D  x 4

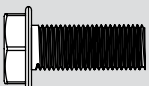
G  x 4

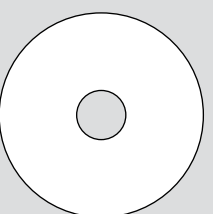
11

Attach Side Shelf Front Panels and Towel Bar



A  x 2

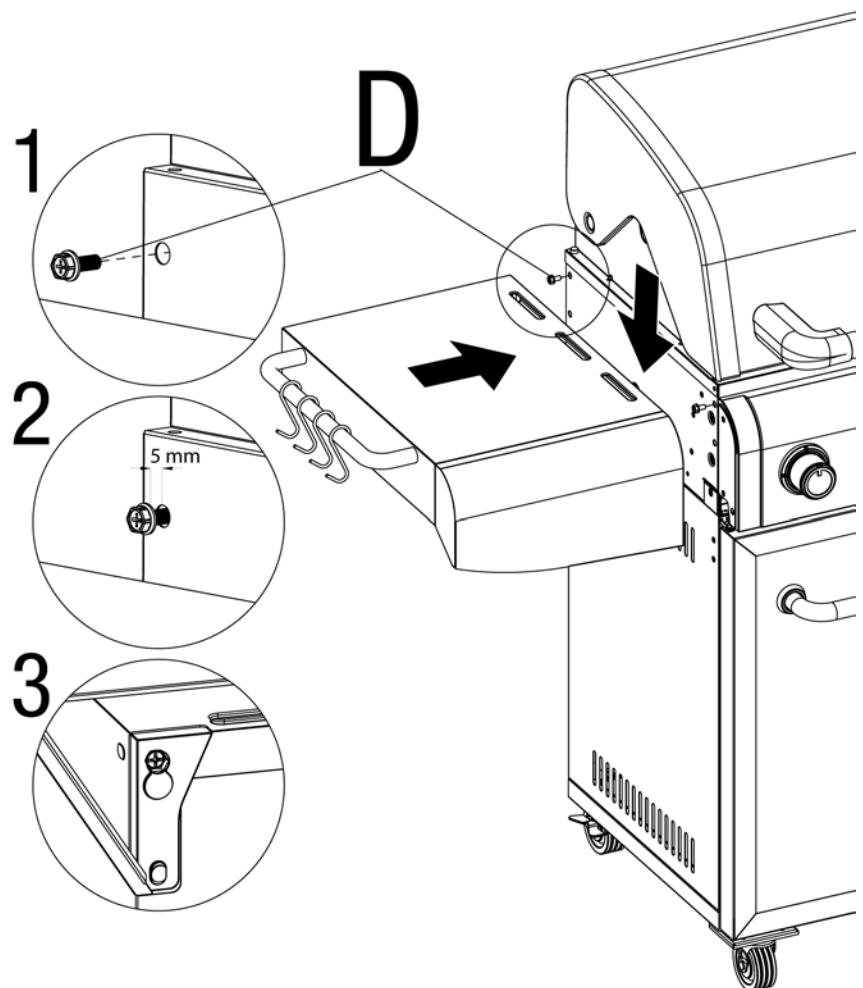
D  x 6

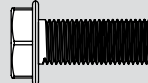
G  x 2

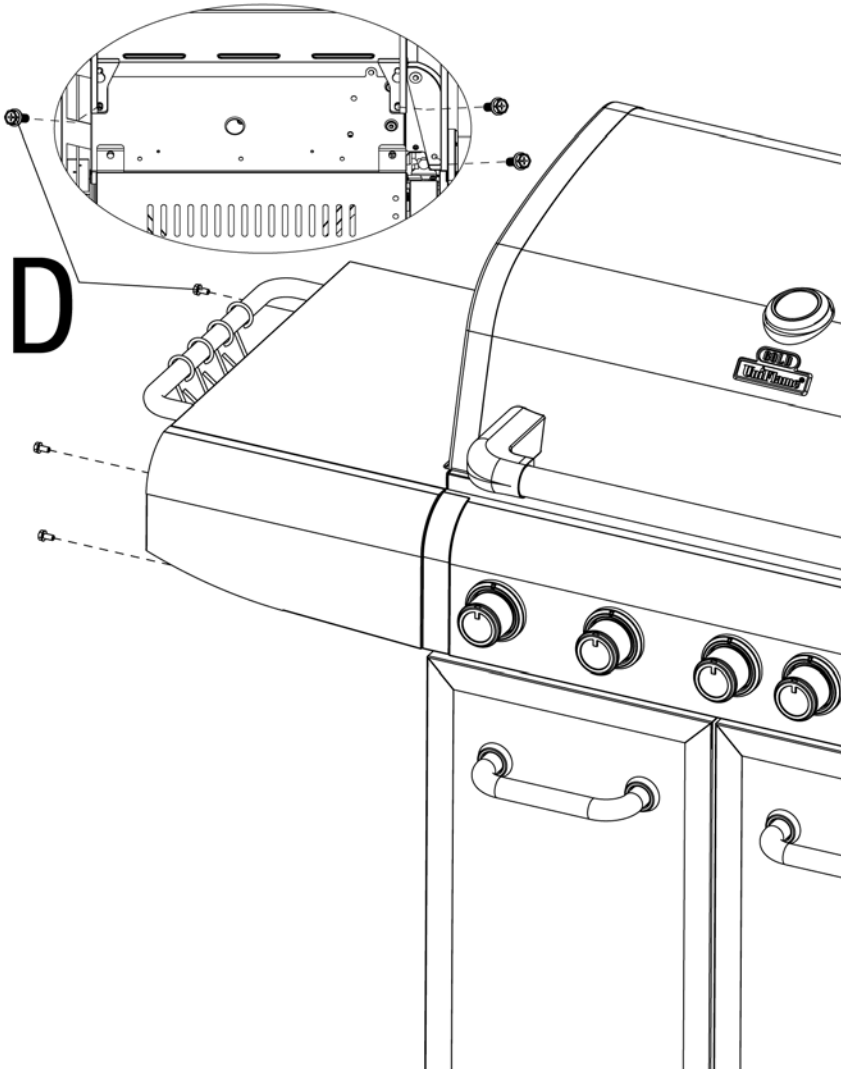
12

Attach Left Side Shelf

Note: Leave 5 mm of bolt threads exposed.

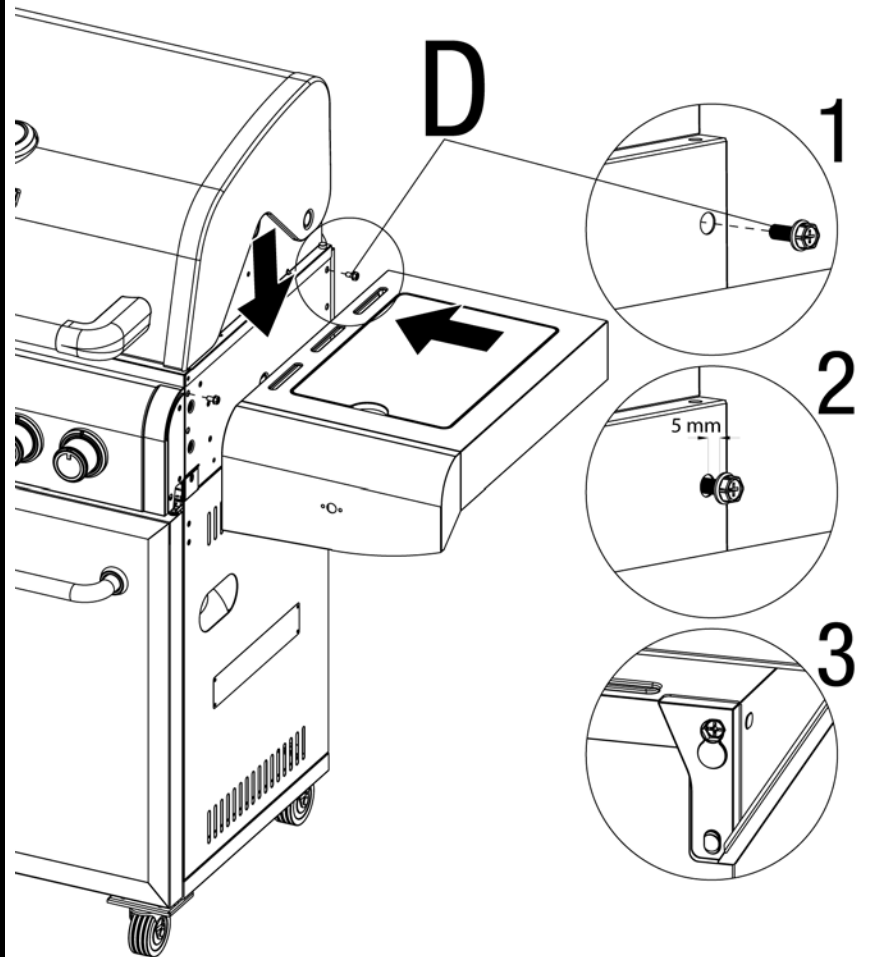


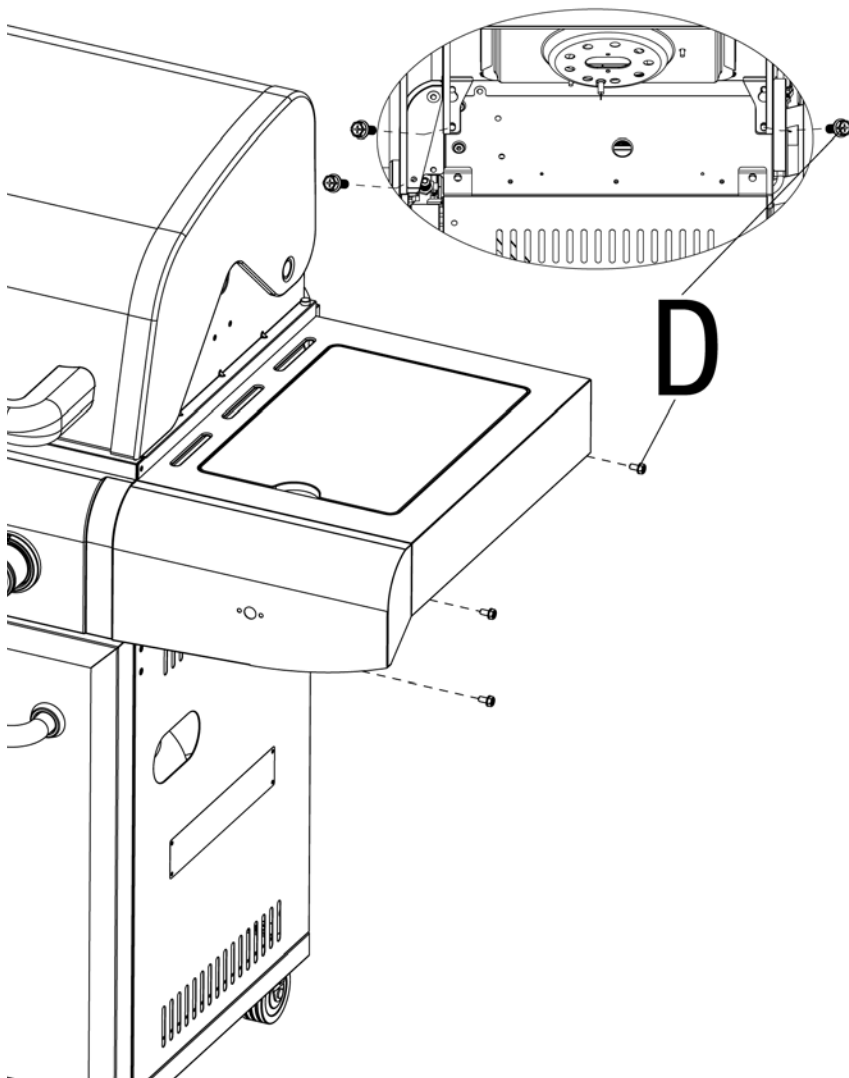
D  x 2

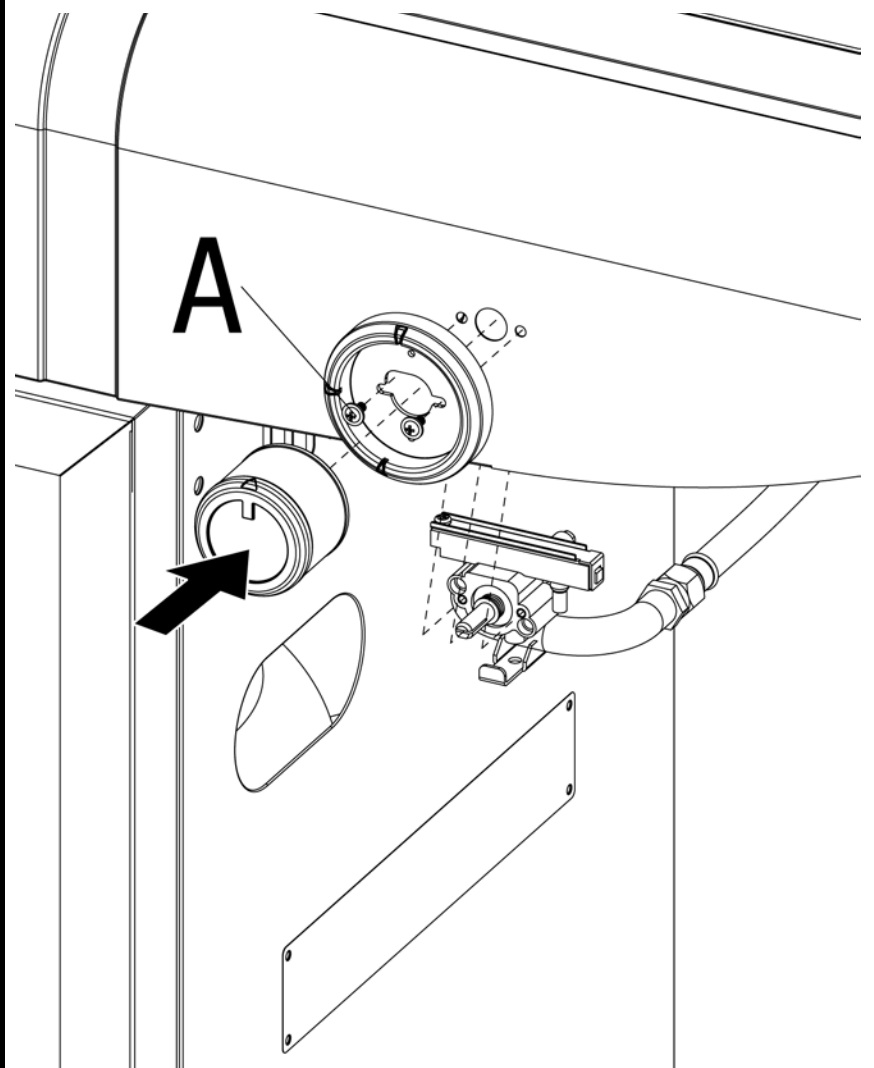
Assembly Instructions (continued)
13 Secure Left Side Shelf

D x3

14 Attach Right Side Shelf

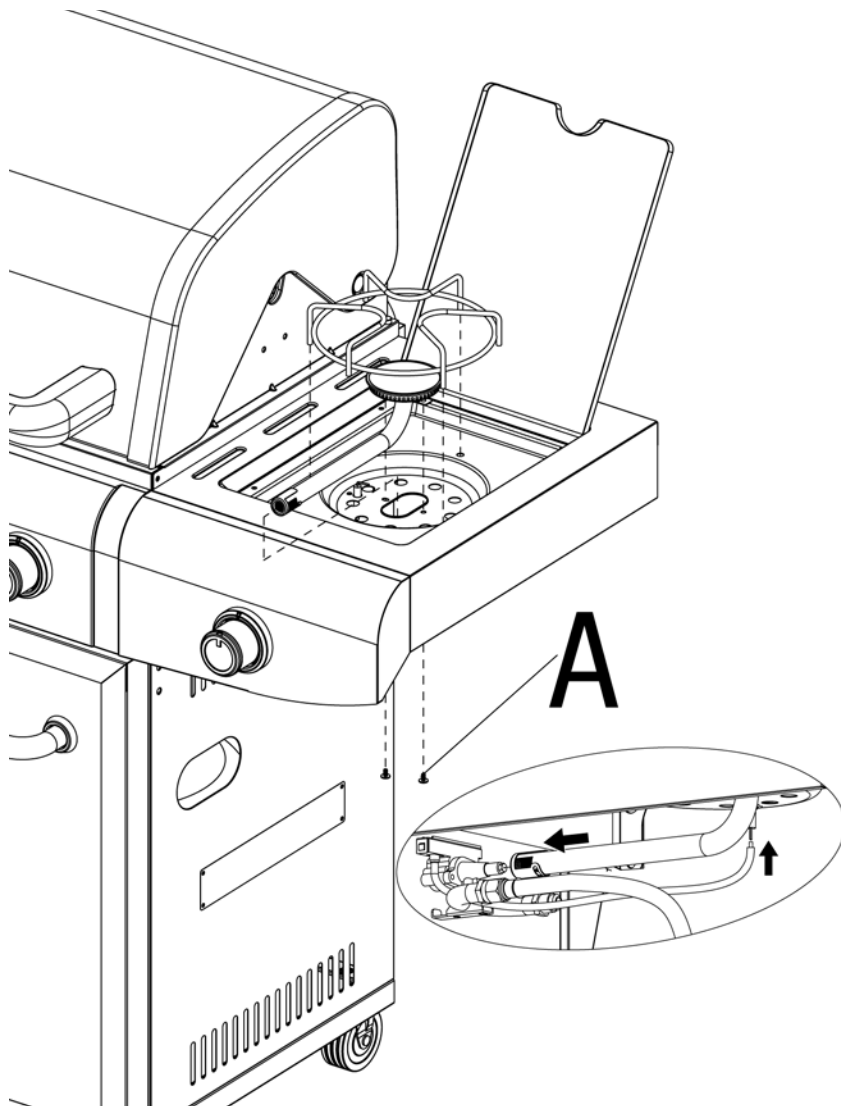
Note: Leave 5 mm of bolt threads exposed.

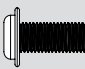

D x2

15 Secure Right Side Shelf

D x3

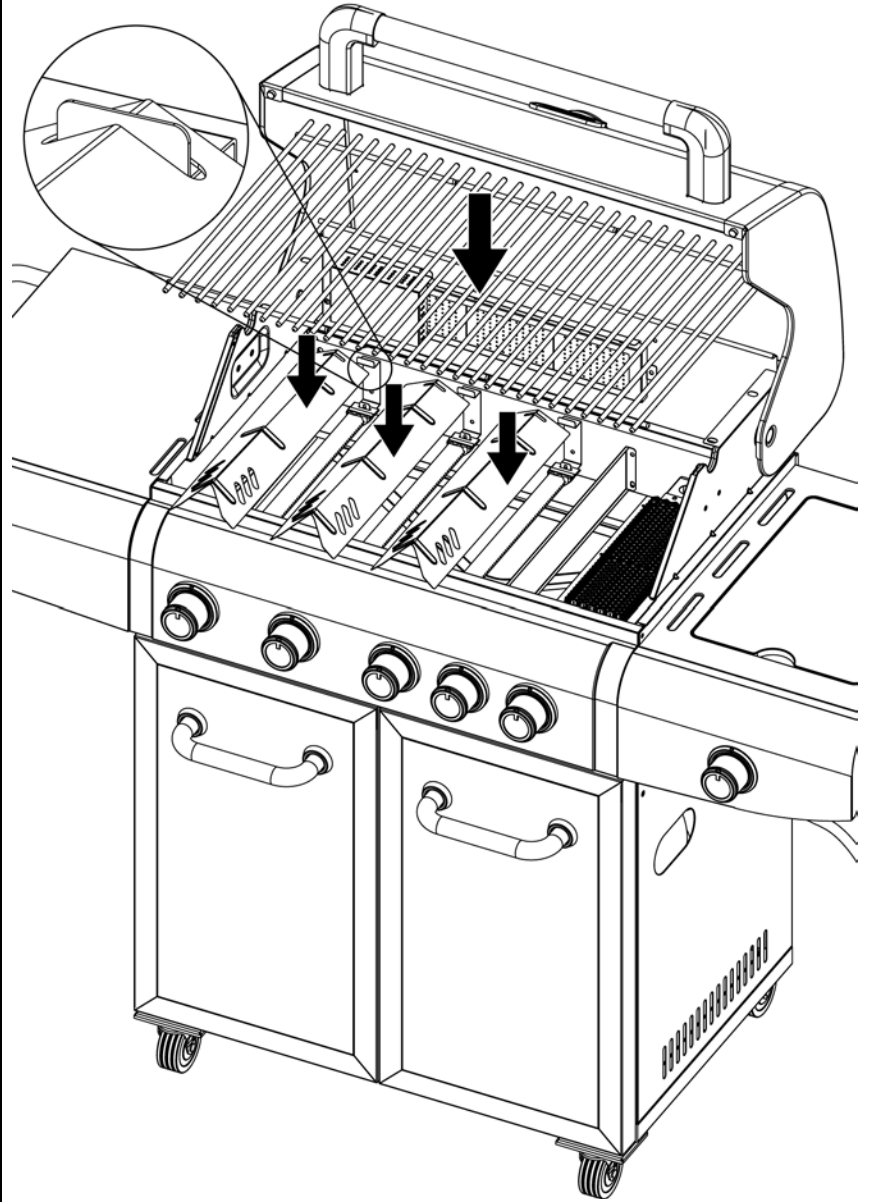
16 Attach Side Burner Regulator/Control Valve, Control Knob Bezel and Control Knob

A x2

17 Attach Side Burner, Igniter Wire and Side Burner Grid

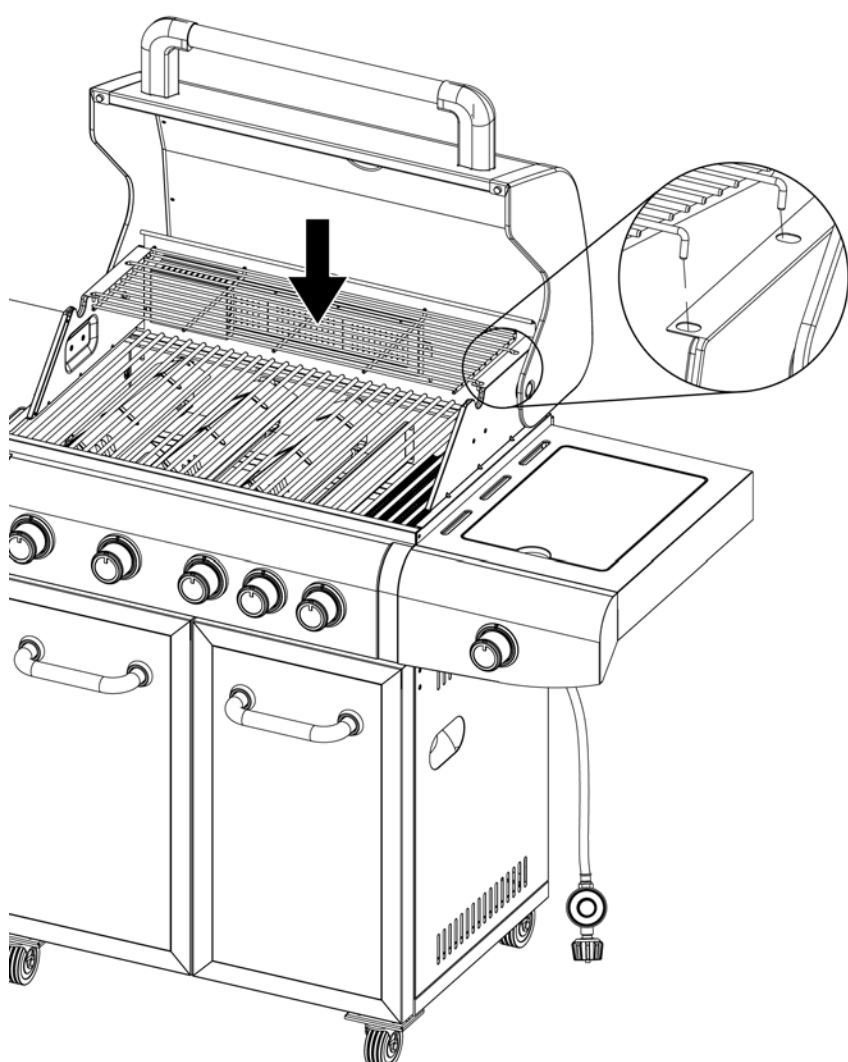


A  x 2

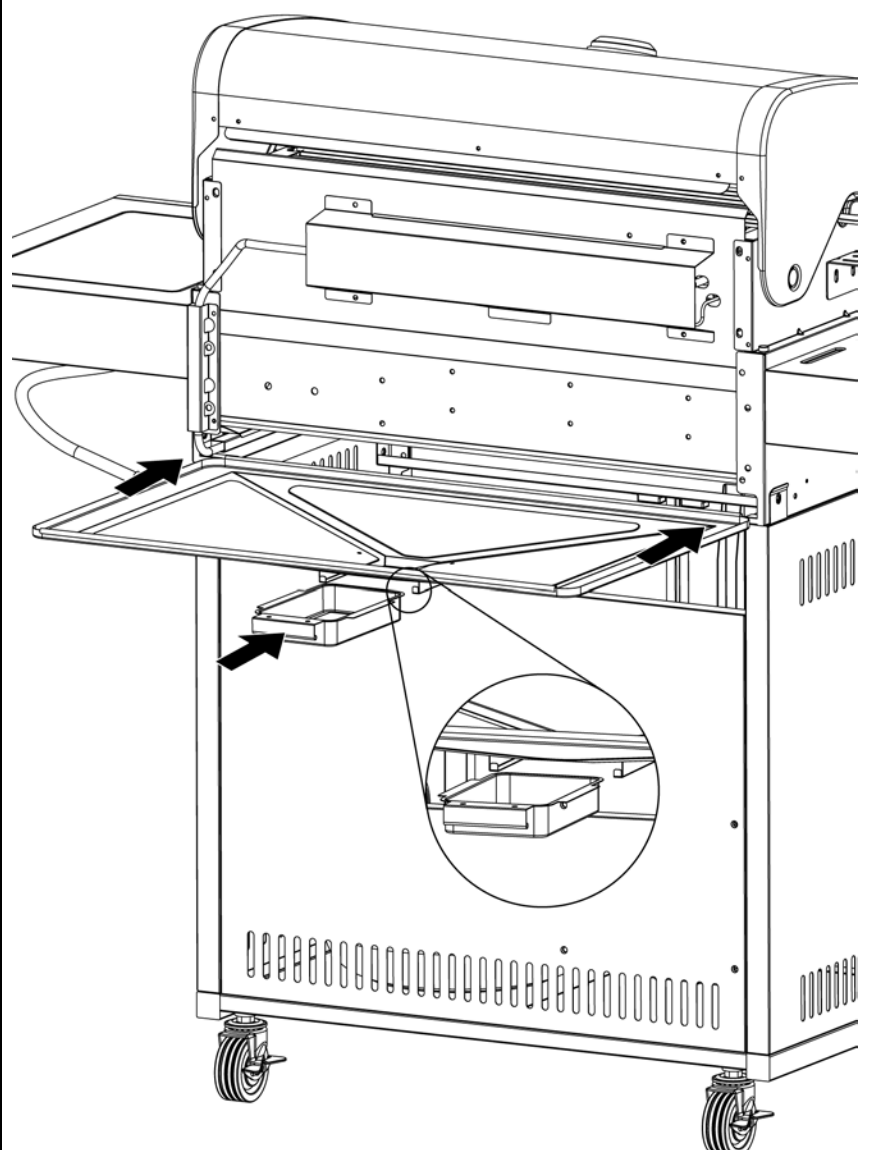
18 Insert Heat Plates and Cooking Grids



19 Insert Warming Rack



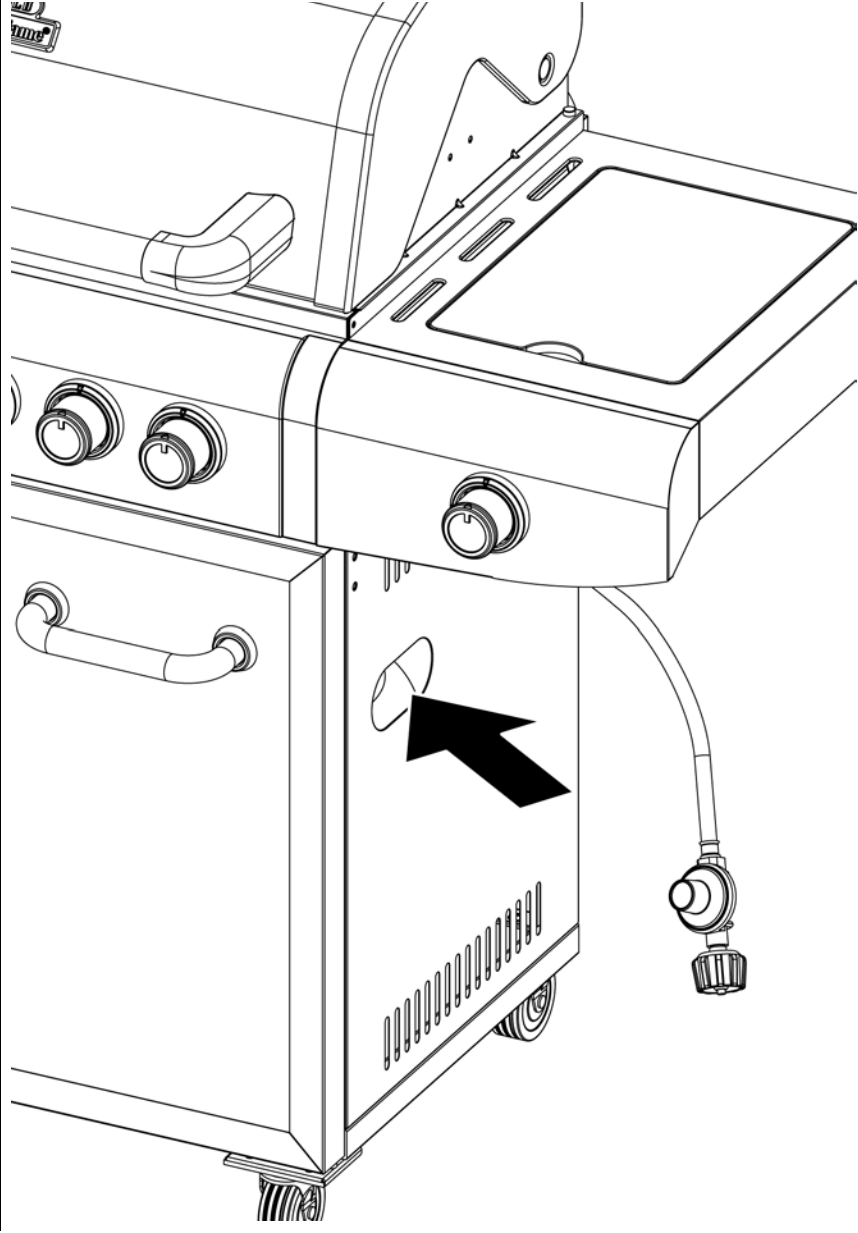
20 Insert Grease Tray and Grease Cup



Assembly Instructions (continued)

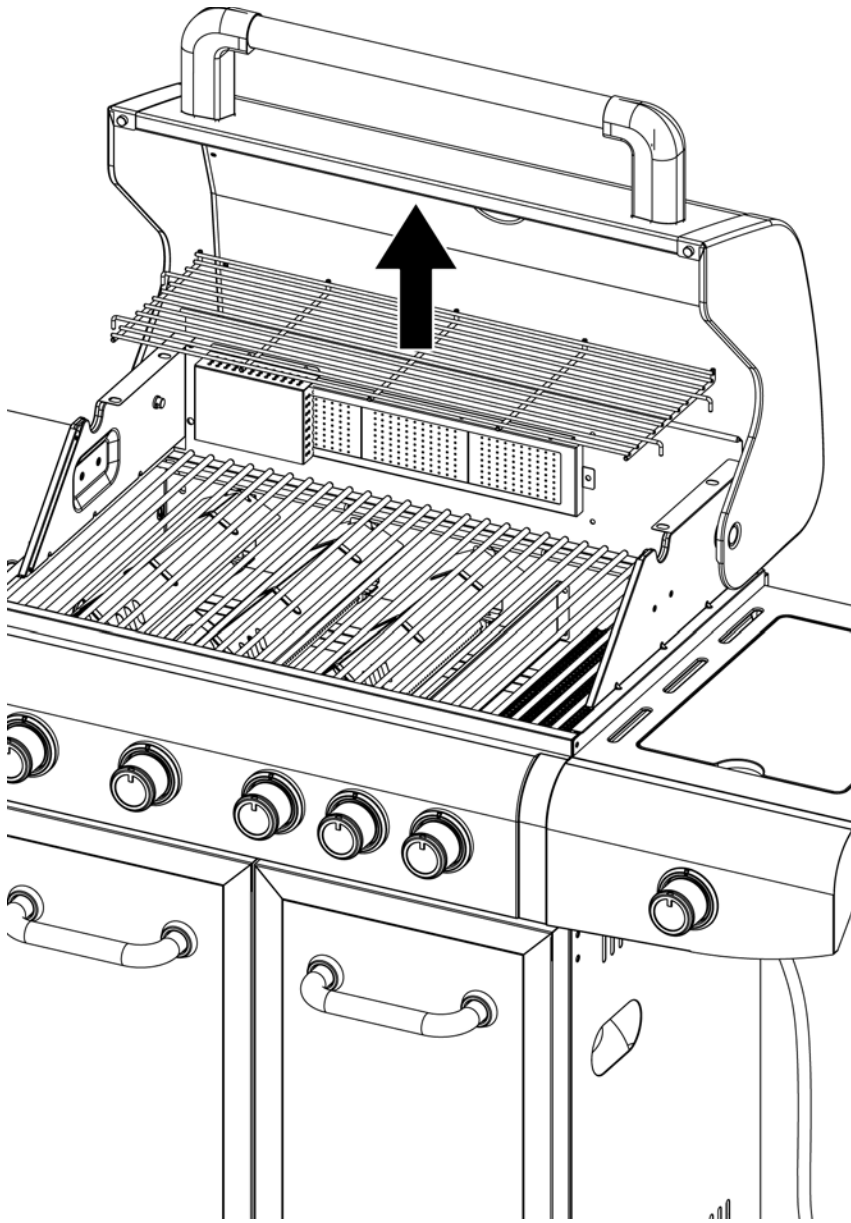
21

Insert Regulator/Control Valve

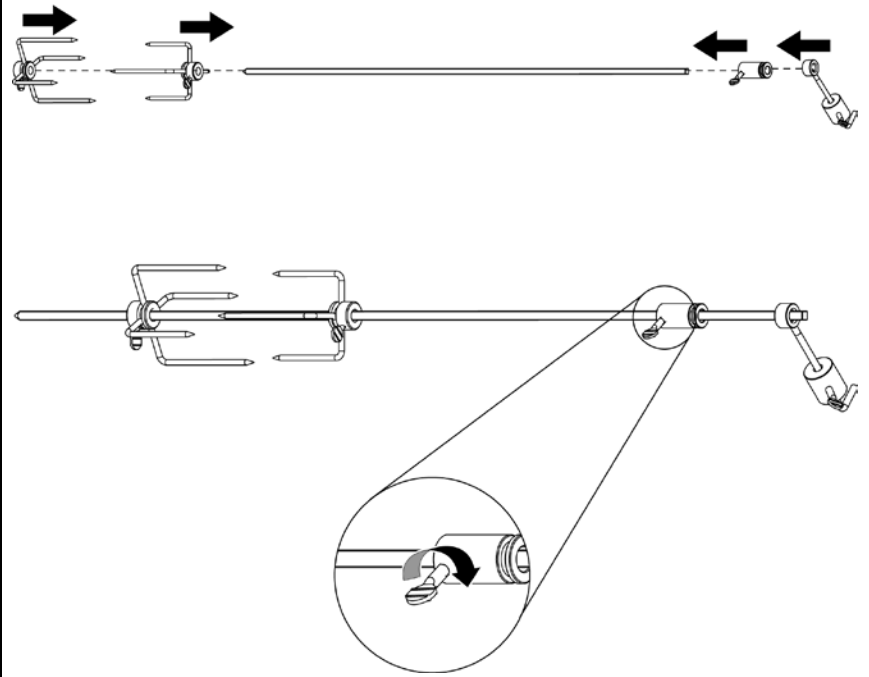


Assembly Instructions - Rotisserie

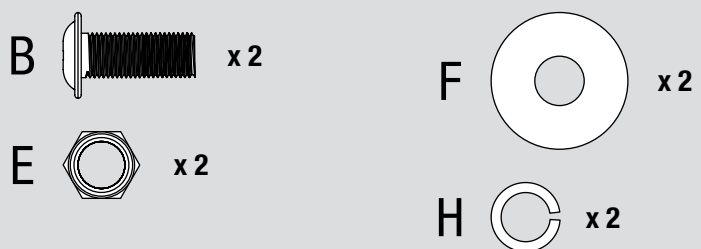
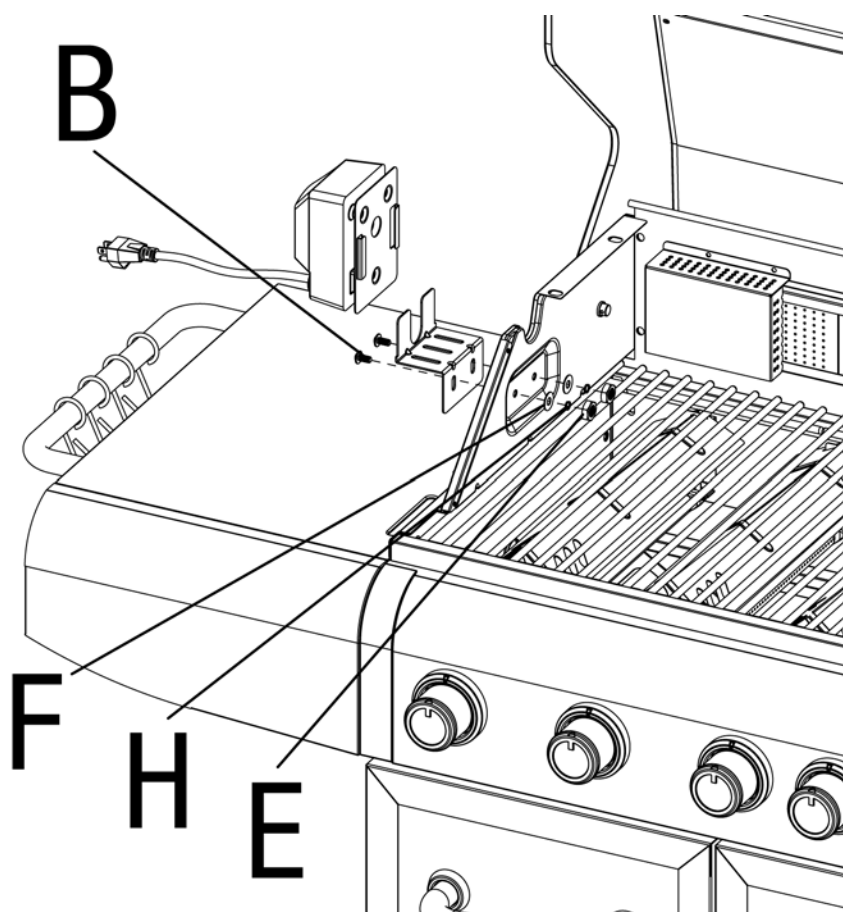
1 Remove Warming Rack



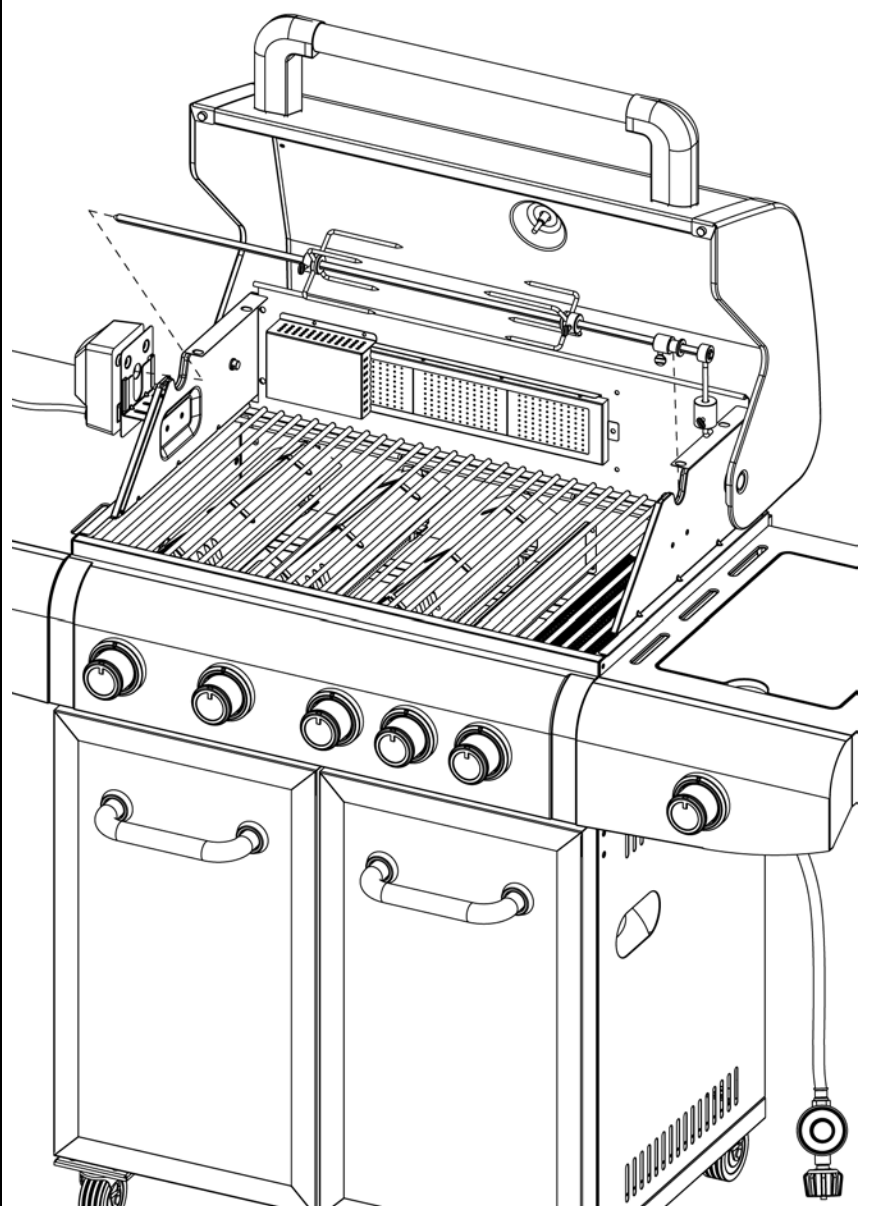
2 Assemble Rotisserie Rod



3 Attach Rotisserie Motor Support and Rotisserie Motor

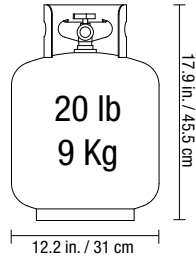


4 Insert Rotisserie Rod



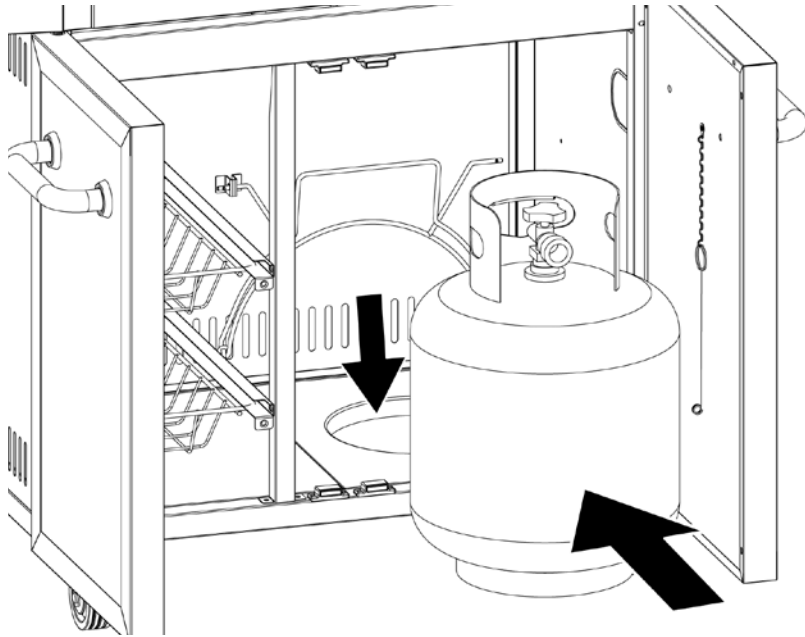
To operate, you will need one precision-filled standard grill LP gas tank with external valve threads.

▲ CAUTION: LP gas tank must be properly disconnected and removed prior to moving this grill.



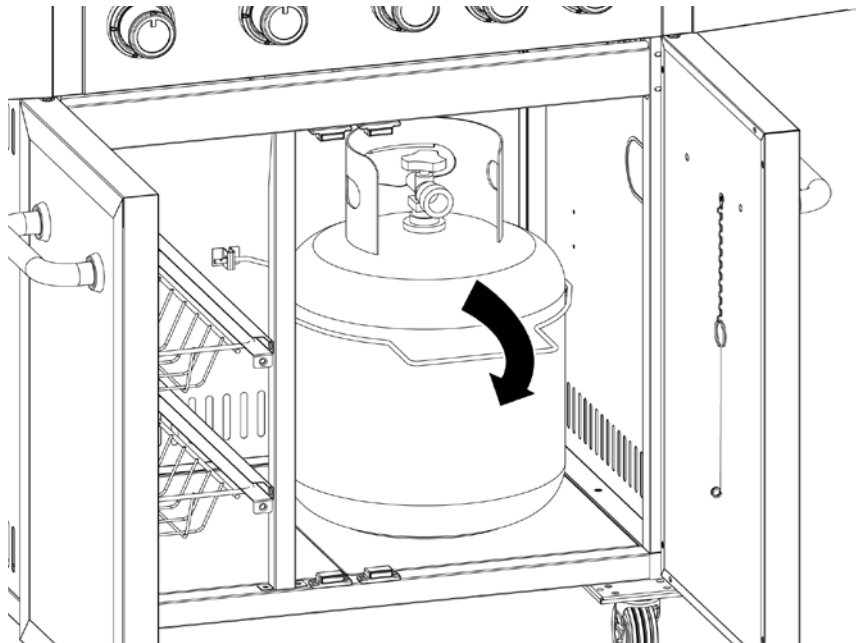
Insert LP Gas Tank

Place precision filled LP gas tank upright into the notches in the right cart frame so the tank valve is facing the gas line connection.



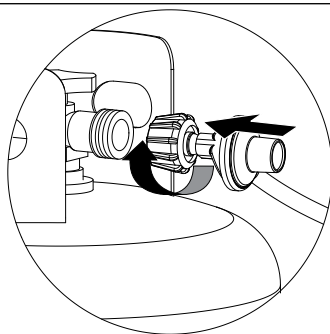
Secure LP Gas Tank

Secure tank by sliding tank retainer wire over shoulder of LP gas tank.



Connecting LP Gas Tank

- Before connecting, be sure there is no debris caught in the head of the LP gas tank, head of the regulator valve or in the head of the burner or burner ports.
- Connect regulator/hose assembly to tank by turning knob clockwise until it stops.

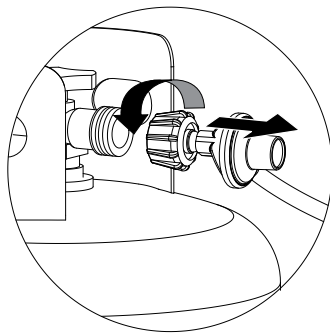


Disconnecting LP Gas Tank

- Before disconnecting, make sure the LP gas tank valve is "CLOSED."
- Disconnect regulator/hose assembly from LP gas tank by turning knob counterclockwise until it is loose.

▲ CAUTION: LP gas tank must be properly disconnected and removed prior to moving this grill.

- Place the protective cap cover on the LP tank and store the tank outdoors in a well ventilated area out of direct sunlight.



Getting More Propane



Need a tank of gas? One option is to try propane exchange. It's easy, fast, safe, and available at tens of thousands of conveniently located retail outlets nationwide, which are typically open nights and weekends. You can purchase a fresh, precision-filled tank or exchange your empty for a fresh, precision-filled tank. Another option is to have your tank refilled at a refill station. Be sure to check the hours of operation for the refill station.

Operating Instructions

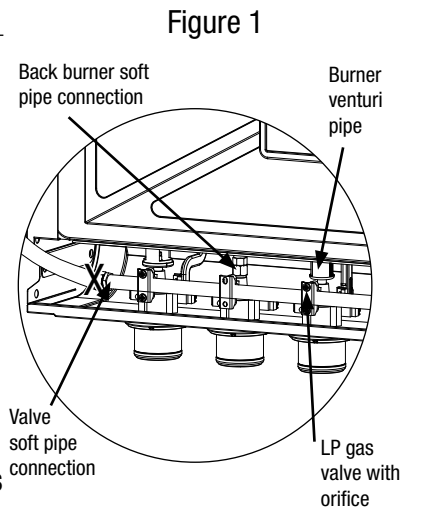
Checking for Leaks

Burner Connections

- Make sure the regulator valve and hose connections are securely fastened to the burner and the tank.
- Visually check the connection between the burner/venturi tube and orifice.
- Make sure the burner/venturi tube fits over the orifice.

▲ WARNING: Failure to inspect this connection or follow these instructions could cause a fire or an explosion which can cause death, serious bodily injury or damage to property.

- Please refer to diagram for proper installation (Figures 1 and 2).
- If the burner/venturi tube does not rest flush to the orifice, as shown, please contact 1.800.762.1142 for assistance.



Tank/Gas Line Connection

- Make 2-3 oz. of leak detection solution by mixing one part liquid dishwashing soap with three parts water.
- Make sure control knobs are in the "OFF" position (Figure 3).
- Connect LP gas tank per "Installing LP Gas Tank" section.
- Turn LP gas tank valve to "OPEN."
- Spoon several drops of solution, or use a squirt bottle, at all "X" locations (Figures 1, 2 and 4).
 - If any bubbles appear, turn LP gas tank valve to "CLOSED," reconnect and re-test.
 - If you continue to see bubbles after several attempts, turn LP gas tank valve to "CLOSED" and disconnect LP gas tank, per "Disconnect LP Gas Tank" section. Contact 1.800.762.1142 for assistance.
 - If no bubbles appear after one minute, turn LP gas tank valve to "CLOSED," wipe away solution and proceed.

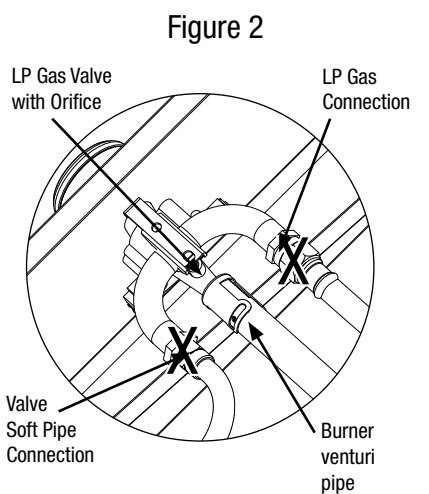
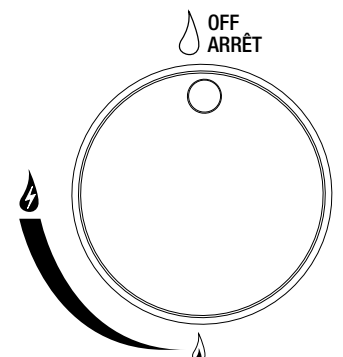


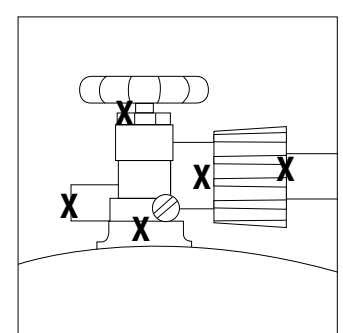
Figure 3



Operating Main Burners

First Use

- Make sure all labels, packaging and protective films have been removed from the grill.
- Remove manufacturing oils before cooking on this grill for the first time by operating the grill for at least 15 minutes on (HIGH) with the lid closed. This will "heat clean" the internal parts and dissipate odors.



Lighting

- ▲ CAUTION: Keep outdoor gas cooking appliance area clear and free from combustible materials, gasoline and other flammable vapors and liquids.**
- ▲ CAUTION: Do NOT obstruct the flow of combustion and ventilation air.**
- ▲ CAUTION: Check and clean burner/venturi tubes for insects and insect nests. A clogged tube can lead to a fire.**
- ▲ CAUTION: Attempting to light the burner with the lid closed may cause an explosion.**

- Open lid.
- Check for obstructions of airflow to the burners. Spiders, insects and webs can clog the burner/venturi tube. A clogged burner tube can lead to a fire.
- All control knobs must be in the "OFF" position (Figure 3).
- Connect LP gas tank per "Installing LP Gas Tank" section.
- Turn LP gas tank valve to "OPEN."
- Push and turn any control knob to (HIGH). The burner should light. If it does not, repeat up to three times.
- If ignition does not occur in 5 seconds, turn burner control knob "OFF," wait 5 minutes, and repeat lighting procedure.
- If igniter does not light burner, use a lit match secured with the lighting rod (included with grill) to light burners. Access the burners through the cooking grid and heat plates. Position lit match near side of burner (Figure 5).

Important: Always use the lighting rod (included) when lighting burners with a match.

- After lighting, observe the burner flame. Make sure all burner ports are lit and flame height matches illustration (Figure 6).

Note: Each burner lights independently - repeat steps 5-9 for the other burners.

CAUTION: If burner flame goes out during operation, immediately turn the control knobs to the “OFF” position, turn LP gas tank valve “CLOSED” and open lid to let the gas clear for 5 minutes before re-lighting.

Turning Off

- Turn LP gas tank valve to “CLOSED.”
- Turn all control knobs clockwise to the “OFF” position.
Note: A “poof” sound is normal as the last of the LP gas is burned.
- Disconnect LP gas tank per “Disconnecting LP Gas Tank” section.

Controlling Flare-ups

CAUTION: Putting out grease fires by only closing the lid is not possible.

- If a grease fire develops, turn control knobs to the “OFF” position and LP gas tank valve to “CLOSED”. Do NOT use water on a grease fire. This can cause the grease to splatter and could result in serious burns, bodily harm or other damage.
- Do NOT leave grill unattended while preheating or burning off food residue on (HIGH). If grill has not been cleaned, a grease fire can occur.

WARNING: When cooking, fire extinguishing materials should be readily accessible. In the event of an oil/grease fire, use type BC dry chemical fire extinguisher or smother with dirt, sand or baking soda. Do NOT attempt to extinguish with water.

Flare-ups are a part of cooking meats on a grill and add to the unique flavor of grilling.

Excessive flare-ups can over-cook your food and be dangerous.

Important: Excessive flare-ups result from the build-up of grease in the bottom of your grill.

If a grease fire occurs, close the lid AND turn the control knob(s) to “OFF” until the grease burns out. Be careful when opening the lid as sudden flare-ups may occur.

If excessive flare-ups occur, do NOT pour water onto the flames.

Minimize Flare-ups:

- Trim excess fat from meats prior to cooking.
- Cook high fat content meats on (LOW) setting or indirectly.
- Ensure that your grill is on a hard, level, non-combustible surface and the grease is allowed to drain into grease receptacle.

Operating Infrared Sear Burner

First Use

- Make sure all labels, packaging and protective films have been removed from the grill.
- Remove manufacturing oils before cooking on this grill for the first time by operating the grill for at least 15 minutes on (HIGH) with the lid closed. This will “heat clean” the internal parts and dissipate odors.

Lighting

CAUTION: Keep outdoor gas cooking appliance area clear and free from combustible materials, gasoline and other flammable vapors and liquids.

CAUTION: Do NOT obstruct the flow of combustion and ventilation air.

CAUTION: Check and clean burner/venturi tubes for insects and insect nests. A clogged tube can lead to a fire beneath the grill.

CAUTION: Attempting to light the burner with the lid closed may cause an explosion.

- Open lid.
- Check for obstructions of airflow to the burners. Spiders, insects and webs can clog the burner/venturi tube. A clogged burner/venturi tube can lead to a fire.
- All control knobs must be in the “OFF” position (Figure 3).
- Connect LP gas tank per “Installing LP Gas Tank” section.
- Turn LP gas tank valve to “OPEN.”
- Push and turn control knob to (HIGH). The burner should light. If not, repeat up to three times.
Note: Infrared burner should turn red after 2 to 3 minutes.
- If ignition does not occur in 5 seconds, turn burner control knob “OFF,” wait 5 minutes, and repeat lighting procedure.

Figure 5

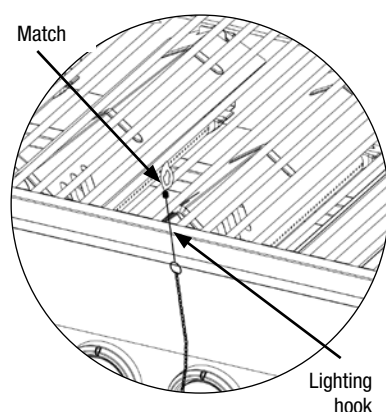
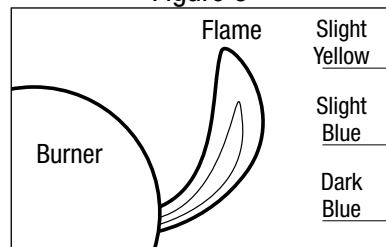


Figure 6



- If igniter does not light burner, use a lit match secured with the lighting rod (included with grill) to light burner. Position the lit match near side of the burner (Figure 7).

Important: Always use the lighting rod (included) when lighting burner with a match.

CAUTION: If burner flame goes out during operation, immediately turn the control knobs to the “OFF” position, turn LP gas tank valve “CLOSED” and open lid to let the gas clear for 5 minutes before re-lighting.

Turning Off

- Turn LP gas tank valve to “CLOSED.”
- Turn control knob clockwise to the “OFF” position.
Note: A “poof” sound is normal as the last of the LP gas is burned.
- Disconnect LP gas tank per “Disconnecting LP Gas Tank” section.

Operating Side Burner

NOTE: Side burner can be used while main burners are operating.
Never use side burner as a grill.

CAUTION: Maximum weight for side burner and side shelf is 33 lbs.

CAUTION: Using pots larger than 6 quarts in capacity could exceed weight limit of the side burner shelf, resulting in failure of grill cart components.

CAUTION: Do NOT lean on the side burner shelf.

CAUTION: Attempting to light the burner with the lid closed may cause an explosion.

Lighting

- Open lid.
- Check for obstructions of airflow to the burners. Spiders, insects and webs can clog the burner/venturi tube. A clogged burner tube can lead to a fire.
- Control knob must be in the “OFF” position (Figure 3).
- Connect LP gas tank per “Installing LP Gas Tank” section.
- Turn LP gas tank valve to “OPEN.”
- Push and turn control knob to (HIGH). The burner should light. If not, repeat up to three times.
- If ignition does not occur in 5 seconds, turn burner control knob “OFF,” wait 5 minutes and repeat lighting procedure.
- If igniter does not light burner, use a lit match secured with the lighting rod (included with grill) to light burners. Position the lit match near side of the burner (Figure 8).

Important: Always use the lighting rod (included) when lighting burner with a match.

- After lighting, observe the burner flame. Make sure all burner ports are lit and flame height matches illustration (Figure 6).

CAUTION: If burner flame goes out during operation, immediately turn the control knob to the “OFF” position, LP gas tank valve “CLOSED” and open lid to let the gas clear for 5 minutes before re-lighting.

Turning Off

- Turn LP gas tank valve to “CLOSED.”
- Turn all control knobs clockwise to the “OFF” position.
Note: A “poof” sound is normal as the last of the LP gas is burned.
- Disconnect LP gas tank per “Disconnecting LP Gas Tank” section.

Cooking

- Open lid and ignite the side burner per “Lighting” instructions.
- Adjust control knob to desired flame height.
- Place pan on center of grid.
- Cook and adjust temperature as needed.
- Turn grill off per “Turning Off” instructions.

Figure 7

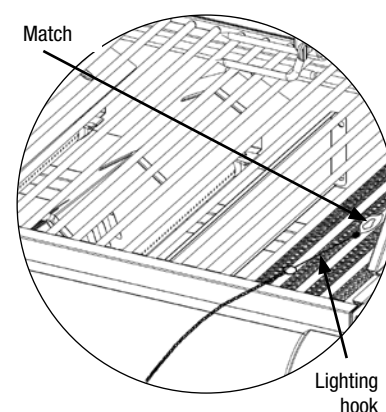
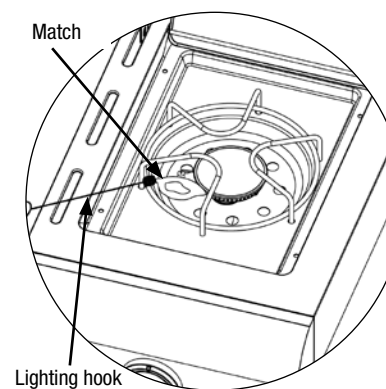


Figure 8



Operating Instructions (continued)

Operating Infrared Back Burner

First Use

1. Make sure all labels, packaging and protective films have been removed from the grill.
2. Remove manufacturing oils before cooking on this grill for the first time by operating the grill for at least 15 minutes on 🔥 (HIGH) with the lid closed. This will "heat clean" the internal parts and dissipate odors.

Lighting

▲ **CAUTION:** Keep outdoor gas cooking appliance area clear and free from combustible materials, gasoline and other flammable vapors and liquids.

▲ **CAUTION:** Do NOT obstruct the flow of combustion and ventilation air.

▲ **CAUTION:** Check and clean burner/venturi tubes for insects and insect nests. A clogged tube can lead to a fire beneath the grill.

▲ **CAUTION:** Attempting to light the burner with the lid closed may cause an explosion.

1. Open lid.
2. Check for obstructions of airflow to the burners. Spiders, insects and webs can clog the burner/venturi tube. A clogged burner/venturi tube can lead to a fire.

3. All control knobs must be in the "OFF" position (Figure 3).

4. Connect LP gas tank per "Installing LP Gas Tank" section.

5. Turn LP gas tank valve to "OPEN."

6. Push and turn control knob to 🔥 (HIGH). The burner should light. If not, repeat up to three times.

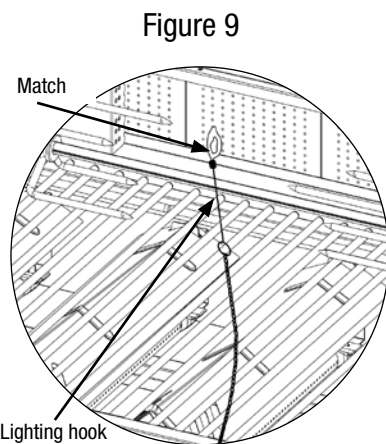
Note: Infrared burner should turn red after 2 to 3 minutes.

7. If ignition does not occur in 5 seconds, turn burner control knob "OFF," wait 5 minutes, and repeat lighting procedure.

8. If igniter does not light burner, use a lit match secured with the lighting rod (included with grill) to light burner. Position the lit match near side of the burner (Figure 9).

Important: Always use the lighting rod (included) when lighting burner with a match.

▲ **CAUTION:** If burner flame goes out during operation, immediately turn the control knobs to the "OFF" position, turn LP gas tank valve "CLOSED" and open lid to let the gas clear for 5 minutes before re-lighting.



Turning Off

1. Turn LP gas tank valve to "CLOSED."
2. Turn control knob clockwise to the "OFF" position.
Note: A "poof" sound is normal as the last of the LP gas is burned.
3. Disconnect LP gas tank per "Disconnecting LP Gas Tank" section.

Operating Rotisserie

▲ **WARNING:** When using electrical appliances, basic safety precautions should always be used, including the following:

1. Always attach rotisserie to grill first, then plug cord into a grounded outlet. To disconnect, turn rotisserie "OFF" then remove plug from outlet.
2. Most grill surfaces and accessories are hot during and after cooking. Use caution around grill. Wear a flame retardant BBQ mitt.
3. Do NOT use accessory attachments on the rotisserie that were not supplied by the manufacturer. This may cause injuries. Do NOT use this appliance for other than intended use.
4. Never cover bottom of your grill bowl with aluminum foil, sand or any grease absorbent substances.
5. Should a grease fire occur, turn burners to "OFF" position and turn LP gas tank valve to "CLOSED." Close lid until fire is out.
6. To protect against electrical shock, do NOT immerse electrical cord, plug or motor in water or expose to rain. Protect electrical elements from burners, hot grill surfaces and grease.
7. Do NOT let children operate grill or rotisserie. Do NOT let children play nearby.
8. Unplug rotisserie motor from electrical outlet when not in use and before cleaning. Allow to cool before adding or removing parts.
9. When rotisserie is cooking, place a drip pan under the food to be cooked. This will capture the drippings and keep grill clean of excess grease, which could cause a fire. Use caution when moving a drip pan containing hot oils.
10. The motor operates at 120VAC, 50/60 Hz current.
11. This rotisserie is for outdoor use only and with this grill only.

▲ **CAUTION:** If burner flame goes out during operation, immediately turn the gas "OFF" and open lid to let the gas clear for about 5 minutes before re-lighting.

▲ **WARNING:** Keep rotisserie motor electric cord away from the heated surface of the grill.

▲ **WARNING:** Do NOT let the cord hang over the edge of a table or touch hot surfaces.

▲ **WARNING:** Use only a Ground Fault Interrupter (GFI) protected circuit with this outdoor cooking gas appliance.

▲ **WARNING:** The rotisserie motor must be electrically grounded in accordance with local codes or, in the absence of local codes, with the *National Electrical Code, ANSI/NFPA 70*, or the *Canadian Electrical Code, CSA C22.1*.

▲ **WARNING:** Do NOT operate the rotisserie if it has a damaged cord or plug, or if the rotisserie malfunctions or has been damaged in any manner. Call our Customer Care at 1.800.762.1142 for replacement.

▲ **WARNING:** The power supply cord has a 3-prong grounded plug. For your personal safety, do not remove the grounding prong. It must be plugged into a mating 3-prong grounding type receptacle, and grounded in accordance with the National Electrical Codes and local codes and ordinances.

▲ **WARNING:** If an extension cord is used, it must be properly grounded and suitable for use with outdoor appliances. Keep the extension cord connection dry, off the ground and out of the reach of children.

▲ **WARNING:** When rotisserie motor is not in use, remove and store in a dry indoor area.

▲ **WARNING:** OUTDOOR USE ONLY. DO NOT EXPOSE TO RAIN.

▲ **CAUTION:** Risk of electric shock. Keep extension cord connection dry and off the ground.

Attaching Meat

1. Attach rotisserie motor per "Assembly Instructions - Rotisserie" section.
2. Attach rotisserie counterweight and handle to rotisserie rod (Figure 10).
3. Slide one rotisserie fork onto rod (Figure 11).
4. Push rotisserie rod through the middle of the meat and evenly attach to the prongs of the rotisserie fork (Figure 12).
5. Attach second rotisserie fork onto rod and insert prongs into meat. Tighten rotisserie forks (Figure 13).
6. Insert rotisserie rod into motor and place other end of rod into grooves on bottom bowl (Figures 14 and 15).
7. Turn rotisserie motor "ON" to test meat placement.
Note: Heavy side of meat should rotate down towards the bottom bowl. Adjust counterweight if needed for a proper balance. If meat still does not rotate properly, remove meat and remount for a proper balance.
8. Light grill per "Operating Infrared Back Burner" lighting instructions.
Note: Cooking grid can be removed if necessary.
9. Keep lid closed during cooking.

Figure 10

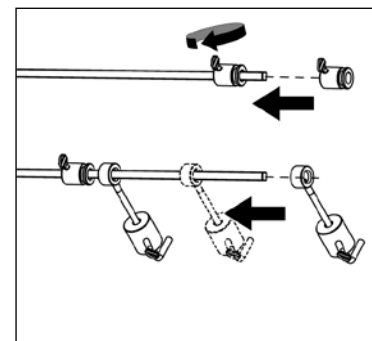


Figure 11

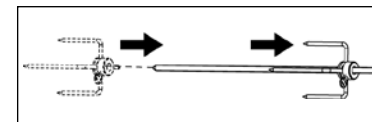


Figure 12

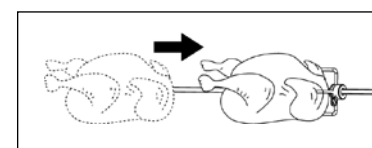


Figure 13

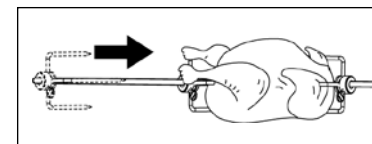


Figure 14

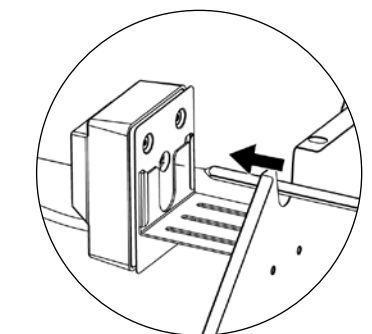
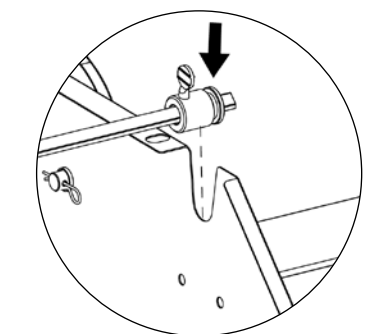


Figure 15



Cleaning and Care

⚠ CAUTION:

1. All cleaning and maintenance should be done when grill is cool and with the fuel supply disconnected.
2. Do NOT clean any grill part in a self-cleaning oven. The extreme heat will damage the finish.
3. Do NOT enlarge valve orifices or burner ports when cleaning the valves or burners.

⚠ CAUTION: Unplug rotisserie motor from the outlet when not in use and before cleaning. Allow to cool before putting on or taking off parts.

Notices

1. This grill should be thoroughly cleaned and inspected on a regular basis.
2. Abrasive cleaners will damage this product.
3. Never use oven cleaner to clean any part of grill.

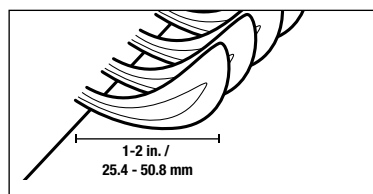
Before Each Use:

1. Keep the grill area clean and free from any combustible materials, gasoline, and other flammable vapors and liquids.
2. Do NOT obstruct the flow of the combustion of LP gas and the ventilation of air.
3. Keep the ventilation opening(s) of the LP gas tank area free and clear from debris.
4. Visually check the burner flames to make sure your grill is working properly (Figure 8).
5. See sections below for proper cleaning instructions.
6. Check for obstructions of airflow to the burners. Spiders, insects and webs can clog the burner/venturi tube. A clogged burner tube can lead to a fire.

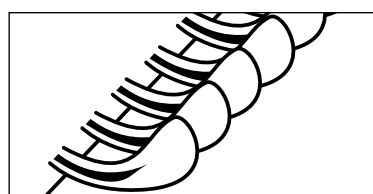
Figure 16

Burner Flame Conditions

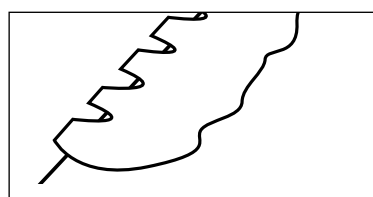
Use this chart to see if your burners need to be cleaned.



Normal: Soft blue flames with yellow tips between 1 in. - 2 in. height.



Needs cleaning: Noisy with hard blue flames.



Has to be replaced: Wavy with yellow flames.

Cleaning Surfaces

1. Wipe surfaces clean with mild dishwashing detergent or baking soda mixed with water.
2. For stubborn surfaces, use a citrus-based degreaser and a nylon scrubbing brush.
3. Rinse clean with water.
4. Allow to air dry.

Cleaning Main Burners

1. Turn LP gas tank valve to "CLOSED."
2. Turn all control knobs clockwise to the "OFF" position.
Note: A "poof" sound is normal as the last of the gas is burned.
3. Disconnect LP gas tank per "Disconnecting LP Gas Tank" section.
4. Remove cooking grids and heat plates.
5. Remove burners by removing the fasteners, which secure the burners to the grill bottom.
6. Lift burners up and away from gas valve orifice.
7. Disconnect wire from spark electrode.
8. Clean venturi of each burner with small bottle brush or compressed air.
9. Remove all food residue and dirt on burner surfaces.
10. Clean any clogged ports with a stiff wire (such as an opened paper clip).
11. Inspect burners for any damage (cracks or holes). If damage is found, replace with new burner(s) from manufacturer.
12. Reinstall burners, checking to insure that gas valve orifice is correctly positioned inside each burner/venturi tube. Also, check position of spark electrode.
13. Replace heat plate(s) and cooking grid(s).
14. Connect LP gas tank per "Installing LP Gas Tank" section.
15. Perform leak test per "Checking for Leaks" section.

Cleaning Side Burner

1. Turn LP gas tank valve to "CLOSED."
2. Turn all control knobs clockwise to the "OFF" position.
Note: A "poof" sound is normal as the last of the gas is burned.
3. Disconnect LP gas tank per "Disconnecting LP Gas Tank" section.
4. Remove side burner grid.
5. Remove burner by removing the screws that secure the burner to the side shelf.
6. Lift burner up and away from gas valve orifice.
7. Clean venturi of burner with small bottle brush or compressed air.
8. Remove all food residue and dirt on burner surface.
9. Clean any clogged ports with a stiff wire (such as an opened paper clip).

10. Inspect burner for any damage (cracks or holes). If damage is found, replace with new burner from manufacturer.
11. Reinstall burner, check to insure that gas valve orifice is correctly positioned inside burner/venturi tube, also check position of the spark electrode.
12. Replace cooking grid(s).
13. Connect LP gas tank per "Installing LP Gas Tank" section.
14. Perform leak test per "Checking for Leaks" section.

Before Storing

1. Turn LP gas tank valve to "CLOSED."
2. Turn all control knobs clockwise to the "OFF" position.
Note: A "poof" sound is normal as the last of the gas is burned.
3. Disconnect LP gas tank per "Disconnecting LP Gas Tank" section.
4. Clean all surfaces.
5. Lightly coat the burner(s) and cooking grid(s) with cooking oil to prevent excess rusting.
6. If storing the grill indoors, disconnect the LP tank per "Disconnect LP Gas Tank" section.
7. Place the protective cap cover on the LP tank and store the tank outdoors in a well-ventilated area out of direct sunlight.
8. If storing the grill outdoors, cover the grill with a grill cover for protection from the weather.

Product Registration

For faster warranty service, register your product immediately at www.BlueRhino.com or call 1.800.762.1142.

Replacement Parts

Replacement parts can be found at parts.bluerhino.com or call 1.800.762.1142.

Limited Warranty

Blue Rhino Global Sourcing, Inc. ("Blue Rhino") warrants to the original retail purchaser of this product, and to no other person, that if this product is assembled, maintained, and operated in accordance with the printed instructions accompanying it, then for a period of one (1) year from the date of purchase, all parts in such product shall be free from defects in material and workmanship. Blue Rhino may require reasonable proof of your date of purchase. Therefore, you should retain your sales slip or invoice. This Limited Warranty shall be limited to the repair or replacement of parts, which prove defective under normal use and service and which Blue Rhino shall determine in its reasonable discretion upon examination to be defective. Before returning any parts, you should contact Blue Rhino's Customer Service Department using the contact information listed below. If Blue Rhino confirms, after examination, a defect covered by this Limited Warranty in any returned part, and if Blue Rhino approves the claim, Blue Rhino will replace such defective part without charge. If you return defective parts, transportation charges must be prepaid by you. Blue Rhino will return replacement parts to the original retail purchaser, freight or postage prepaid.

This Limited Warranty does not cover any failures or operating difficulties due to accident, abuse, misuse, alteration, misapplication, improper installation or improper maintenance or service by you or any third party, or failure to perform normal and routine maintenance on the product as set out in this owner's manual. In addition, the Limited Warranty does not cover damage to the finish, such as scratches, dents, discoloration, rust or other weather damage, after purchase.

This Limited Warranty is in lieu of all other express warranties. Blue Rhino disclaims all warranties for products that are purchased from sellers other than authorized retailers or distributors, including the warranty of merchantability or the warranty of fitness for a particular purpose. BLUE RHINO ALSO DISCLAIMS ANY AND ALL IMPLIED WARRANTIES, INCLUDING WITHOUT LIMITATION THE IMPLIED WARRANTIES OF MERCHANTABILITY AND FITNESS FOR A PARTICULAR PURPOSE. BLUE RHINO SHALL HAVE NO LIABILITY TO PURCHASER OR ANY THIRD PARTY FOR ANY SPECIAL, INDIRECT, PUNITIVE, INCIDENTAL, OR CONSEQUENTIAL DAMAGES. Blue Rhino further disclaims any implied or express warranty of, and assumes no responsibility for, defects in workmanship caused by third parties.

This Limited Warranty gives the purchaser specific legal rights; a purchaser may have other rights depending upon where he or she lives. Some jurisdictions do not allow the exclusion or limitation of special, incidental or consequential damages, or limitations on how long a warranty lasts, so the above exclusion and limitations may not apply to everyone.

Blue Rhino does not authorize any person or company to assume for it any other obligation or liability in connection with the sale, installation, use, removal, return, or replacement of its equipment, and no such representations are binding on Blue Rhino.

Blue Rhino Global Sourcing, Inc.
Winston-Salem, North Carolina 27105 USA
1.800.762.1142



Troubleshooting

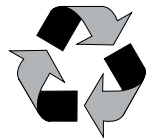
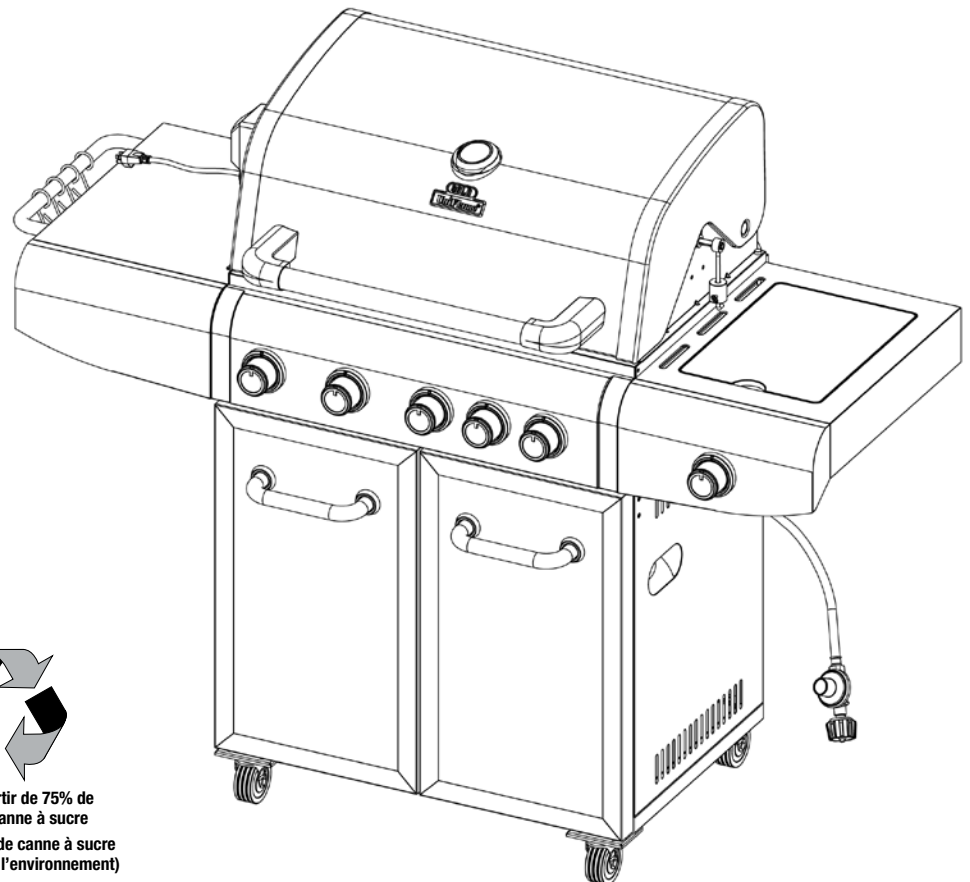
Problem	Possible Cause	Prevention/Cure
Burner will not light using ignitor	LP gas tank valve is closed	Make sure regulator is securely attached to the LP gas tank per "Installing LP Gas Tank," then turn LP gas tank valve to "OPEN"
	LP gas tank is low or empty	Exchange, refill or replace LP gas tank
	LP gas	1. Turn LP gas tank valve to "CLOSED" 2. Wait 5 minutes for gas to clear 3. Follow "Checking for Leaks" section
	Battery needs to be changed	Replace the "AA" battery (follow assembly step for inserting battery)
	Wires or electrode covered with cooking residue	Clean wire and/or electrode with rubbing alcohol
	Electrode and burners are wet	Wipe dry with cloth
	Electrode cracked/broken - sparks at crack	Replace electrode
	Wire loose or disconnected	Reconnect wire or replace electrode/wire assembly
	Wire is shorting (sparking) between ignitor and electrode	Replace ignitor wire/electrode assembly
Bad ignitor	Replace ignitor	
Burner will not light with match	No gas flow	Check if LP gas tank is empty a. If empty, exchange, refill or replace LP gas tank b. If LP gas tank is not empty, refer to "Sudden drop in gas flow or reduced flame height" (see below)
	LP gas tank is low or empty	Exchange, refill or replace LP gas tank
	LP gas	1. Turn LP gas tank valve to "CLOSED" 2. Wait 5 minutes for gas to clear 3. Follow "Checking for Leaks" section
	Coupling nut and regulator not fully connected	Turn the coupling nut about one-half to three quarters additional turn until solid stop. Tighten by hand only - do NOT use tools.
	Obstruction of gas flow	1. Clear burner/venturi tube 2. Check for bent or kinked hose
	Disengagement of burner to valve	Reengage burner and valve
	Spider webs or insect nest in burner/venturi tube	Clean burner/venturi tube
	Burner ports clogged or blocked	Clean burner ports
Sudden drop in gas flow or reduced flame height	Out of gas	Exchange, refill or replace LP gas tank
	Overfilling prevention device may have been activated	1. Turn control knobs to "OFF" 2. Wait 30 seconds and light grill 3. If flames are still too low, reset the overfilling prevention device: a. Turn control knob(s) "OFF" b. Turn LP gas tank valve to "CLOSED" c. Disconnect regulator d. Turn control knobs to (HIGH) e. Wait 1 minute f. Turn control knobs to "OFF" g. Reconnect regulator and leak check connections, being careful not to fully open valve. h. Light grill per "Lighting" section
Irregular flame pattern, flame does not run the full length of burner	Burner ports are clogged or blocked	Clean burner ports
Flame is yellow or orange	New burner may have residual manufacturing oils	Burn grill for 15 minutes on (HIGH) with the lid closed
	Spider webs or insect nest in burner/venturi tube	Clean burner/venturi tube
	Food residue, grease, etc. on burners	Clean burner
	Poor alignment of valve to burner/venturi tube	Ensure burner venturi is properly engaged with valve
Flame goes out	High or gusting winds	Do NOT use grill in high winds
	Low on LP Gas	Exchange, refill or replace LP gas tank
	Overfilling prevention device may have been activated	Refer to "Sudden drop in gas flow or reduced flame height" (see above)
Flare-up	Grease buildup	Remove and clean all grill parts per "Cleaning and Care" section
	Excess fat in meat	Trim fat from meat before grilling
	Excessive cooking temperature	Adjust to lower cooking temperature
Persistent grease fire	Grease trapped by food buildup around burner system	1. Turn control knobs to "OFF" 2. Turn LP gas tank valve to "CLOSED" 3. Leave lid in closed position and let fire burn out 4. After grill cools, remove and clean all parts per "Cleaning and Care" section
Flashback (fire in burner tube(s))	burner/venturi tube are blocked	Clean burner/venturi tube(s)
Inside of lid is peeling (like paint peeling)	The lid is stainless steel, not painted	Grease buildup has turned to carbon and is flaking off – clean thoroughly per "Cleaning and Care" section

For more assistance, please visit us at BlueRhino.com or call 1.800.762.1142.



Barbecue d'extérieur au propane

Modèle n° GBC1273SP



Fabriqué à partir de 75% de bagasse de canne à sucre (résidu de pulpe de canne à sucre sans danger pour l'environnement)



AVERTISSEMENT

POUR VOTRE SÉCURITÉ:

Pour usage à l'extérieur seulement (hors de tout abri clos)



AVERTISSEMENT

POUR VOTRE SÉCURITÉ:

1. Toute installation défectueuse ou modification incorrecte ainsi que tout mauvais réglage ou entretien incorrect risque d'entraîner des blessures ou des dégâts matériels.
2. Lire complètement les instructions d'installation, d'utilisation et d'entretien avant de procéder à la maintenance de l'appareil ou à son entretien.
3. Le non-respect de ces consignes risque de provoquer un incendie ou une explosion et entraîner des dégâts matériels, des blessures graves voire la mort.
4. Ce manuel d'utilisation contient des consignes de sécurité indispensables au montage et au bon fonctionnement de l'appareil.
5. Lire et suivre toutes les mises en garde et instructions avant d'assembler et d'utiliser l'appareil.
6. Suivre toutes les mises en garde et instructions lors de l'utilisation de l'appareil.
7. Conserver ce manuel afin de pouvoir s'y référer ultérieurement.



DANGER

S'il y a une odeur de gaz:

1. Coupez l'admission de gaz de l'appareil.
2. Éteindre toute flamme nue.
3. Ouvrir le couvercle.
4. Si l'odeur persiste, éloignez-vous de l'appareil et appelez immédiatement le fournisseur de gaz ou le service d'incendie.



AVERTISSEMENT

POUR VOTRE SÉCURITÉ:

1. Ne pas entreposer ni utiliser de l'essence ni d'autres vapeurs ou liquides inflammables dans le voisinage de l'appareil, ni de tout autre appareil.
2. Une bouteille de propane qui n'est pas raccordée en vue de son utilisation, ne doit pas être entreposée dans le voisinage de cet appareil ou de tout autre appareil.



DANGER

Ne jamais laisser un barbecue allumé sans surveillance.

Table des matières

Consignes de sécurité importantes	Page 2
Vue éclatée des pièces et quincaillerie	4
Instructions d'assemblage	5
Installer la bouteille de propane	12
Insérer la bouteille de propane	12
Fixer la bouteille de propane	12
Brancher la bouteille de propane	12
Débrancher la bouteille de propane	12
Fonctionnement	12
Détecter une fuite	12
Fonctionnement des brûleurs principaux	12
Fonctionnement du brûleur infrarouge pour saisir les aliments	13
Fonctionnement du brûleur latéral	13
Fonctionnement du brûleur arrière infrarouge	14
Fonctionnement du tournebroche	14
Nettoyage et entretien	15
Enregistrement de l'appareil	16
Pièces de rechange	16
Garantie limitée	16
Guide de dépannage	17

L'utilisation et l'installation de cet appareil doivent être conformes aux codes locaux. En l'absence de codes locaux, suivez le *Code national du gaz combustible, les normes ANSI Z223.1/NFPA 54, le Code d'installation du gaz naturel et du propane, CAN/CGA-B149.1 ou le Code sur le stockage et la manipulation du propane, B149.2, ou la norme pour véhicules récréatifs ANSI A 119.2/NFPA 1192, la réglementation CSA Z240 pour séries VR, et le Code sur les véhicules récréatifs selon le cas.*

CE MANUEL D'UTILISATION CONTIENT DE L'INFORMATION IMPORTANTE CONCERNANT LA SÉCURITÉ. VEUILLEZ LIRE ET CONSERVER CE MANUEL AFIN DE POUVOIR LE CONSULTER ULTÉRIEUREMENT.

Si vous êtes en train d'assembler cet appareil pour une autre personne, veuillez lui fournir le manuel afin qu'elle puisse le consulter plus tard.

Proposition 65 de Californie: La combustion du propane produit des émanations et des résidus chimiques ayant été reconnus par l'État de la Californie comme étant source de cancer, malformations congénitales et autres dommages reproductifs.



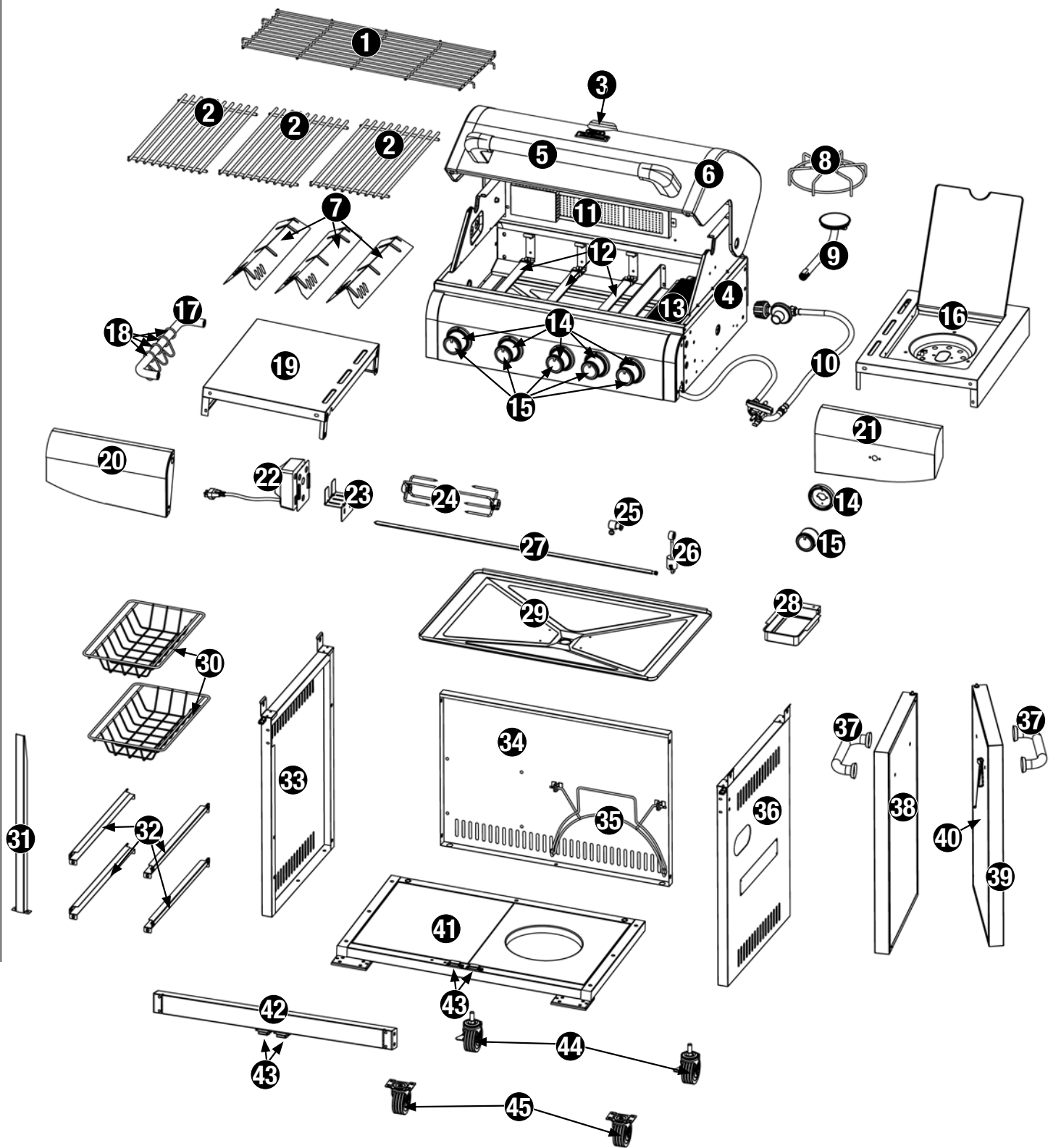
Consignes de sécurité importantes

- ▲ **DANGER:** Le non-respect des avis de danger, des mises en garde et des consignes de sécurité de ce manuel risque de provoquer un incendie ou une explosion et d'entraîner des dégâts matériels, des blessures graves voire la mort.
- ▲ **AVERTISSEMENT :**
- ▲ Ce barbecue doit être utilisé uniquement à l'extérieur et ne doit pas être utilisé dans un immeuble, un garage ou tout autre espace clos.
 - ▲ **NE PAS** utiliser ou allumer cet appareil à moins de 3,05 m (10 pieds) de tout mur, construction ou immeuble.
 - ▲ Pour usage domestique seulement. Ce barbecue N'est PAS destiné à un usage commercial.
 - ▲ Ce barbecue n'est pas sensé être utilisé pour se chauffer et ne devrait jamais être utilisé en tant que chauffage d'appoint. Des émanations TOXIQUES peuvent s'accumuler et provoquer l'asphyxie.
 - ▲ Ce barbecue est homologué afin de pouvoir être utilisé en toute sécurité uniquement aux États-Unis et au Canada. **NE PAS** modifier ce barbecue afin de pouvoir l'utiliser autre part. Toute modification ou altération présentera un danger de fonctionnement.
 - ▲ Ce barbecue est expédié de l'usine prêt à fonctionner avec du propane (GPL). Toute utilisation de gaz naturel avec ce barbecue ou tentative de conversion au gaz naturel de ce barbecue est dangereuse et entraînera l'annulation de la garantie.
 - ▲ **Caractéristiques du propane (GPL) :**
 - a. Le propane est un gaz inflammable et dangereux si ce dernier n'est pas manipulé correctement. Il est indispensable de connaître les dangers encourus avant d'utiliser tout appareil fonctionnant au propane.
 - b. Le propane est un gaz inflammable qui risque d'exploser sous pression. Le propane qui risque d'exploser sous pression, est plus lourd que l'air, se dépose et demeure au sol.
 - c. Le propane à l'état naturel est inodore. Pour votre sécurité, un odorisant ayant l'odeur de choux avariés a été ajouté.
 - d. Tout contact du propane avec la peau risque d'entraîner des engelures.
 - ▲ **Avis aux personnes habitant en appartements :** Vérifier auprès de la gérance pour connaître les conditions requises, la réglementation et le code de prévention des incendies de votre complexe d'habitations collectives pour l'utilisation d'un barbecue au propane. Si permis, utiliser le barbecue en le posant au sol en laissant une distance de sécurité de 3,05 m (10 pieds) entre le barbecue et toute structure. **NE PAS** utiliser sur ou sous un balcon.
 - ▲ Seules les bouteilles marquées « propane » peuvent être utilisées.
 - ▲ La bouteille de propane doit être fabriquée, marquée et mise en service conformément à la *Réglementation sur les bouteilles de gaz de pétrole liquéfié établie par le Ministère des transports des États-Unis (DOT) ou répondre à la Norme nationale du Canada, CAN/CSAB339 sur les bouteilles, sphères et tubes destinés au transport de produits dangereux et la commission.*
 - ▲ La bouteille de propane doit être placée afin de permettre l'extraction des vapeurs de gaz.
 - ▲ La bouteille de propane doit être équipée d'un système d'arrêt volumétrique (OPD) empêchant tout remplissage excessif.
 - ▲ Utiliser uniquement des bouteilles de propane équipées d'un dispositif de branchement compatible avec le raccord d'un appareil de cuisson de plein air.
 - ▲ La bouteille de propane doit posséder un col afin de protéger le robinet et la valve de la bouteille.
 - ▲ Ne jamais utiliser une bouteille de propane si le corps, le robinet, le col ou le socle sont endommagés.
 - ▲ Toute bouteille bosselée ou présentant des traces de rouille risque d'être dangereuse et devrait être vérifiée par votre fournisseur avant de l'utiliser.
 - ▲ **NE PAS** laisser tomber la bouteille de propane ni la manipuler brusquement ou brutalement!
 - ▲ Les bouteilles de propane doivent être entreposées à l'extérieur, hors de la portée des enfants et ne doivent pas être entreposées dans un bâtiment, un garage ou dans tout autre lieu fermé. Les bouteilles de gaz ne doivent jamais être entreposées dans un endroit où la température risque de dépasser 51,6°C (125°F)!
 - ▲ **NE PAS** introduire d'outil ni de corps étranger dans la sortie du robinet de la bouteille de gaz ni dans la soupape de sécurité. Vous risquez d'endommager la soupape et de provoquer une fuite. Toute fuite de propane risque de provoquer une explosion ou un incendie et d'entraîner des blessures graves voire la mort.
 - ▲ **NE PAS** bloquer ni boucher les trous sur les côtés ou à l'arrière du barbecue.
 - ▲ Ne jamais garder une bouteille de propane pleine dans une voiture ou dans le coffre d'une voiture sous une forte chaleur. La chaleur peut provoquer une augmentation de la pression du gaz, pouvant provoquer l'ouverture de la soupape de sécurité et laissera s'échapper de gaz.
 - ▲ Mettre un bouchon antipoussière sur la sortie du robinet d'une bouteille qui n'est pas utilisée. Utiliser uniquement le type de bouchon antipoussière fourni avec le robinet de la bouteille. D'autres types de bouchons pourraient ne pas être étanches et permettre des fuites de propane.
 - ▲ Fermer le gaz et débrancher la bouteille lorsque le barbecue n'est pas utilisé.
 - ▲ Ne jamais entreposer une bouteille de propane de rechange sous ou à proximité de cet appareil.
 - ▲ Ne jamais remplir la bouteille de propane à plus de 80% de sa capacité.
 - ▲ Les consignes ci-dessus doivent être strictement respectées et le non respect de ces consignes risque de provoquer un incendie et d'entraîner des dégâts matériels ou des blessures graves.
 - ▲ Ne jamais essayer de raccorder ce barbecue au circuit de propane d'une tente-caravane, autocaravane ou de votre maison.
 - ▲ Ne jamais utiliser de charbon de bois, de liquide allume-barbecue, de pierres de lave, d'essence, de kérosène, de pétrole lampant ou d'alcool avec ce barbecue.
 - ▲ Votre barbecue a été vérifié en usine afin de s'assurer que les raccords ne présentent aucune fuite. Vérifier à nouveau tous les raccords en suivant les instructions du chapitre « Fonctionnement » du manuel car il est possible qu'ils se soient desserrés lors du transport.
 - ▲ Vérifier que l'appareil ne présente aucune fuite même si ce dernier a été assemblé pour vous par quelqu'un d'autre.
 - ▲ **NE PAS** utiliser le barbecue en cas de fuite de gaz. Toute fuite de gaz risque de provoquer un incendie ou une explosion.
 - ▲ Il est obligatoire de suivre toutes les procédures de détection de fuite avant d'utiliser cet appareil. Afin d'éviter tout risque d'incendie et d'explosion lorsque l'on recherche une fuite :
 - a. Vérifier que le circuit ne présente pas de fuite en effectuant un « test d'étanchéité » avant d'allumer le barbecue à chaque fois que la bouteille de gaz est branchée afin de l'utiliser.
 - b. Interdiction de fumer. **NE PAS** utiliser ni laisser de sources d'ignition à proximité du barbecue lorsque l'on recherche une fuite.
 - c. Effectuer le test d'étanchéité en plein air, dans un emplacement bien aéré.
 - d. **NE PAS** utiliser d'allumettes, de briquets ou de flamme nue afin de rechercher une fuite.
 - e. La prise d'alcool, de médicaments ou de drogues risque de nuire à l'aptitude de l'utilisateur à assembler ou à utiliser cet appareil en toute sécurité.
 - f. La présence de fortes odeurs, ou si vous avez un rhume ou des sinus bouchés, risque de nuire à la détection d'une fuite de propane. Faites preuve de précaution et de bon sens lorsque vous effectuez un test d'étanchéité et recherchez une fuite.
 - g. **NE PAS** utiliser le barbecue avant d'avoir réparé toute les fuites. S'il s'avère impossible d'arrêter une fuite, débrancher la bouteille de propane. Contacter un réparateur ou votre fournisseur de bouteilles de propane.
 - ▲ Ce barbecue a été mis au point pour pouvoir fonctionner avec la pression d'alimentation suivante : PROPANE : 11 po. (28 cm) de colonne d'eau.
 - ▲ **NE PAS** utiliser ni entreposer d'essence ou de liquides aux vapeurs inflammables à moins de 7,6 m (25 pieds) de cet appareil.
 - ▲ **NE PAS** utiliser le barbecue en présence de vapeurs et émanations explosives. Veiller à ce que la zone autour du barbecue demeure dégagée et dépourvue de matières combustibles, d'essence et d'autres liquides aux vapeurs inflammables.
 - ▲ S'assurer que toute matière combustible se trouve toujours à une distance de sécurité minimum de 92 cm (36 po.) sur les côtés et derrière le barbecue. **NE PAS** utiliser ce barbecue sous un toit ou une structure quelconque suspendue, en saillie ou en surplomb au-dessus du barbecue.
 - ▲ Il est primordial que le compartiment de la valve de commande du barbecue, les brûleurs et les passages par où l'air circule demeurent propres.
 - ▲ Vérifier le barbecue avant chaque utilisation.

- ▲ Ne modifier en aucune façon le barbecue. Toute modification ou altération entraînera l'annulation de la garantie.
- ▲ NE PAS utiliser le barbecue à moins qu'il ne soit **COMPLÈTEMENT** assemblé et que les pièces ne soient toutes fixées et serrées.
- ▲ NE PAS placer ce type de barbecue dans un espace où le barbecue sera encastré. Le non-respect de cette mise en garde risque de provoquer une explosion ou un incendie et d'entraîner des dégâts matériels, des blessures graves voire la mort.
- ▲ Ce barbecue doit être vérifié et nettoyé en entier régulièrement.
- ▲ Nettoyer et inspecter le tuyau à chaque fois, avant d'utiliser l'appareil. En cas d'abrasion, d'usure, de coupures ou de fuite, le tuyau doit être remplacé avant que cet appareil ne soit mis en fonctionnement.
- ▲ Utiliser uniquement le régulateur et le tuyau fournis. Le régulateur et le tuyau de rechange doivent être ceux spécifiés par Blue Rhino Global Sourcing, Inc.
- ▲ Utiliser uniquement des pièces agréées de l'usine Blue Rhino Global Sourcing, Inc. L'emploi de toute pièce non agréée peut être dangereuse et entraînera l'annulation de la garantie.
- ▲ NE PAS utiliser cet appareil avant de lire le chapitre « Fonctionnement » de ce manuel.
- ▲ NE PAS toucher les pièces métalliques du barbecue avant qu'il n'ait complètement refroidi (attendre environ 45 minutes) afin de ne pas se brûler à moins de porter des vêtements de protection (gants, maniques, attirail de barbecue, etc.).
- ▲ NE PAS installer ni utiliser cet appareil à bord d'un bateau ou d'un véhicule récréatif.
- ▲ Lors de la cuisson, conserver toujours à portée de main des articles ou matières capables d'éteindre le feu. En cas de feu de graisse, ne tentez pas d'éteindre le feu avec de l'eau. Utiliser un extincteur à poudre BC ou étouffez le feu avec de la terre, du sable ou du bicarbonate de soude.
- ▲ NE PAS utiliser le barbecue par grand vent.
- ▲ Ne jamais se pencher au-dessus du barbecue pour l'allumer.
- ▲ Ne jamais laisser un barbecue allumé sans surveillance surtout si des enfants ou des animaux domestiques et de compagnie se trouvent à proximité.
- ▲ NE PAS laisser le barbecue sans surveillance lorsqu'il est en phase de préchauffage ni après la cuisson pour éliminer des résidus de nourriture par chaleur intense avec le brûleur sur son réglage maximum. Si le barbecue n'est pas nettoyé, un feu de graisse risque de se produire et d'endommager le barbecue.
- ▲ NE PAS placer de récipient vide sur le barbecue lorsqu'il est allumé.
- ▲ Faire preuve de précautions au moment de placer quelque chose sur le barbecue lorsqu'il est allumé.
- ▲ NE PAS essayer de déplacer le barbecue quand il est allumé. Laisser le barbecue refroidir avant de le déplacer ou de le remiser.
- ▲ La bouteille de propane doit être débranchée et retirée avant de déplacer le barbecue.
- ▲ Le remisage du barbecue à l'intérieur est autorisé seulement si la bouteille a été débranchée et retirée de l'appareil et correctement entreposée à l'extérieur.
- ▲ Veiller à toujours ouvrir le couvercle du barbecue lentement et avec précaution car la chaleur et la vapeur piégées à l'intérieur risquent de provoquer de graves brûlures.
- ▲ NE PAS tenter de débrancher le régulateur de gaz de la bouteille ou de débrancher une pièce quelconque de l'alimentation du gaz lorsque le barbecue est allumé.
- ▲ Placer toujours le barbecue sur une surface plane et dure. Il est déconseillé de le placer sur de l'asphalte ou du bitume.
- ▲ Placer les tuyaux souples de gaz le plus loin possible des surfaces chaudes et de l'égouttage des graisses brûlantes.
- ▲ Veiller à ce que les câbles et cordons électriques demeurent toujours loin du barbecue lorsqu'il est chaud.
- ▲ Après une période de remisage ou si le barbecue n'a pas été utilisé pour une certaine période, s'assurer qu'il n'y a pas de fuite et que les brûleurs ne sont pas bouchés. Vérifier également que le tuyau ne présente pas de traces d'abrasion, d'usure ou de coupures.
- ▲ Le fait de ne pas maintenir le couvercle ouvert lors de l'allumage des brûleurs du barbecue ou de ne pas attendre 5 minutes afin que le gaz se dissipe au cas où le barbecue ne s'allume pas, risque de provoquer une flambée soudaine explosive.
- ▲ Ne jamais utiliser le barbecue sans avoir installé auparavant le(s) diffuseur(s) de chaleur.
- ▲ Veiller à toujours utiliser un thermomètre à viande afin de s'assurer que la nourriture est cuite à une température adéquate.
- ▲ Porter des gants de protection pour assembler cet article.
- ▲ NE PAS forcer les pièces les unes dans les autres afin d'éviter toute blessure et éviter d'endommager cet article.
- ▲ Ne jamais recouvrir complètement la zone de cuisson avec du papier d'aluminium.
- ▲ Les consignes ci-dessus doivent être strictement respectées et le nonrespect de ces consignes risque de provoquer des dégâts matériels ou d'entraîner des blessures graves voire la mort.

Liste des pièces

1	Grille de réchauffage	55-22-043
2	Grille de cuisson (3)	55-22-044
3	Indicateur de température*	55-22-049
4	Cuve du barbecue*	55-22-075
5	Poignée du couvercle*	55-22-046
6	Couvercle*	55-22-620
7	Diffuseur de chaleur (3)	55-22-048
8	Grille du brûleur latéral	55-22-049
9	Brûleur latéral	55-22-913
10	Régulateur et tuyau*	55-08-091
11	Brûleur arrière infrarouge*	55-22-051
12	Brûleur (3)*	55-22-050
13	Brûleur infrarouge pour saisir les aliments*	55-22-051
14	Cadran du bouton de commande (6)	55-08-071
15	Bouton de commande (6)	55-09-341
16	Tablette droite*	55-22-052
17	Porte-serviette	55-07-548
18	Crochet porte-ustensile (4)*	55-07-729
19	Tablette gauche	55-22-053
20	Panneau avant de la tablette gauche	55-22-054
21	Panneau avant de la tablette droite	55-22-055
22	Moteur du tournebroche	55-22-056
23	Support du moteur du tournebroche	55-22-057
24	Griffe du tournebroche (2)	55-10-261
25	Poignée du tournebroche	55-22-058
26	Contrepoids du tournebroche	55-22-059
27	Tige du tournebroche	55-22-060
28	Godet collecteur de graisse	55-11-018
29	Plaque collectrice de graisse	55-22-061
30	Panier (2)	55-09-337
31	Support du cadre du chariot	55-22-062
32	Support du panier (4)	55-22-063
33	Panneau gauche	55-22-064
34	Panneau arrière	55-22-065
35	Étrier de retenue de la bouteille de propane*	55-22-066

Vue éclatée


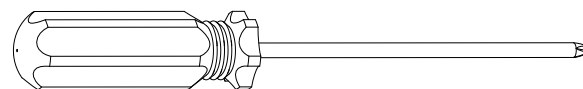
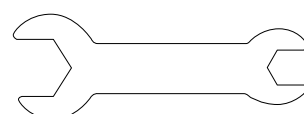
36	Panneau droit	55-22-067
37	Poignée de porte (2)	55-22-068
38	Porte gauche	55-23-621
39	Porte droite	55-23-622
40	Tige d'allumage*	55-07-331
41	Tablette de fond	55-22-071
42	Support avant du chariot	55-22-072
43	Aimant de porte (4)*	55-10-174
44	Roue arrière bloquable (2)	55-22-073
45	Roue avant (2)	55-22-074

* Prémonté

Quincaillerie

A	Vis	Niquelée, à tête bombée Phillips, M4x12	12 pcs
B	Vis	Niquelée, à tête bombée Phillips, M6x12	33 pcs
C	Vis	Niquelée, à tête bombée Phillips, M6x60	4 pcs
D	Boulon	Niquelé, à tête hexagonale, M6x15	20 pcs
E	Écrou	Niquelé, M6	10 pcs
F	Rondelle	Niquelée, ø6,5x13	10 pcs
G	Rondelle	Niquelée, ø6,5x18	14 pcs
H	Rondelle de blocage	Niquelée, ø6,5	10 pcs

Outils requis pour l'assemblage (fournis)

 Tournevis cruciforme Phillips n° 2 1 pc

 Clé M10-M6 1 pc


Instructions d'assemblage

1 NE PAS RETOURNER AU MAGASIN AVEC CET ARTICLE.

Pour toute assistance technique, appelez le numéro sans frais **1.800.762.1142**. Faites en sorte que votre manuel d'utilisation et le modèle numéro soient à portée de main afin de pouvoir vous y référer.

Remarque : Le numéro du modèle se trouve au dos du chariot.

Pour faciliter l'assemblage:

1. Pour éviter de perdre des petites pièces ou la quincaillerie d'installation, assemblez cet article sur une surface plane qui ne comporte pas de trous ni de fissures.
2. Étalez toutes les pièces et la quincaillerie d'installation.
3. Serrez à la main toute les fixations et la visserie en premier. Une fois l'étape terminée, serrez-les complètement en veillant à ne pas trop les serrer afin d'éviter d'endommager la surface de l'appareil et de fausser le filetage.
4. Suivez toutes les étapes dans l'ordre afin d'assembler correctement cet article.

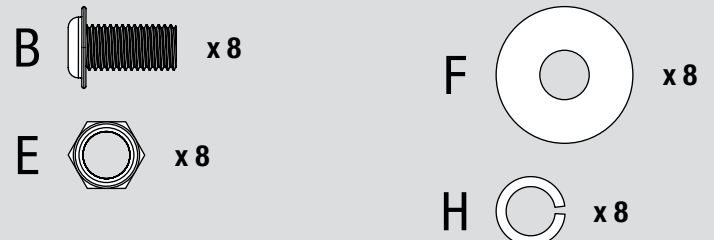
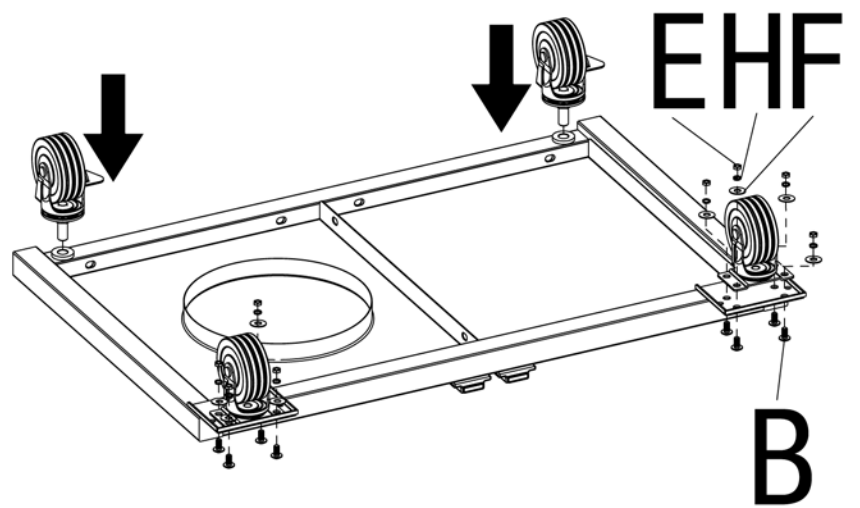
Pour effectuer l'assemblage, vous aurez besoin des choses suivantes:

- une (1) solution de détection de fuites (voir instructions sur la préparation de la solution au chapitre « Fonctionnement »).
- une (1) bouteille de propane liquide pour barbecue remplie avec précision avec raccord de robinet à filetage externe Acme de type 1 (barbecue taille standard).

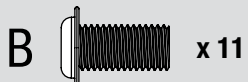
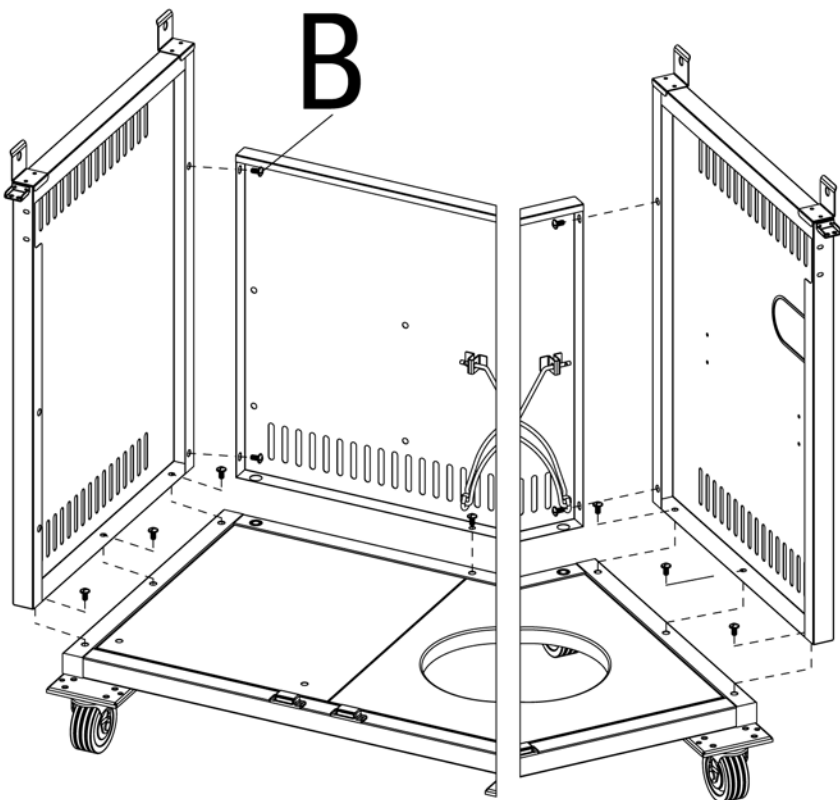
Temps d'assemblage: environ une (1) heure.

2 Fixer les roues

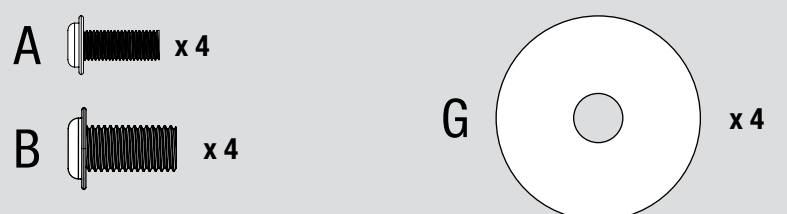
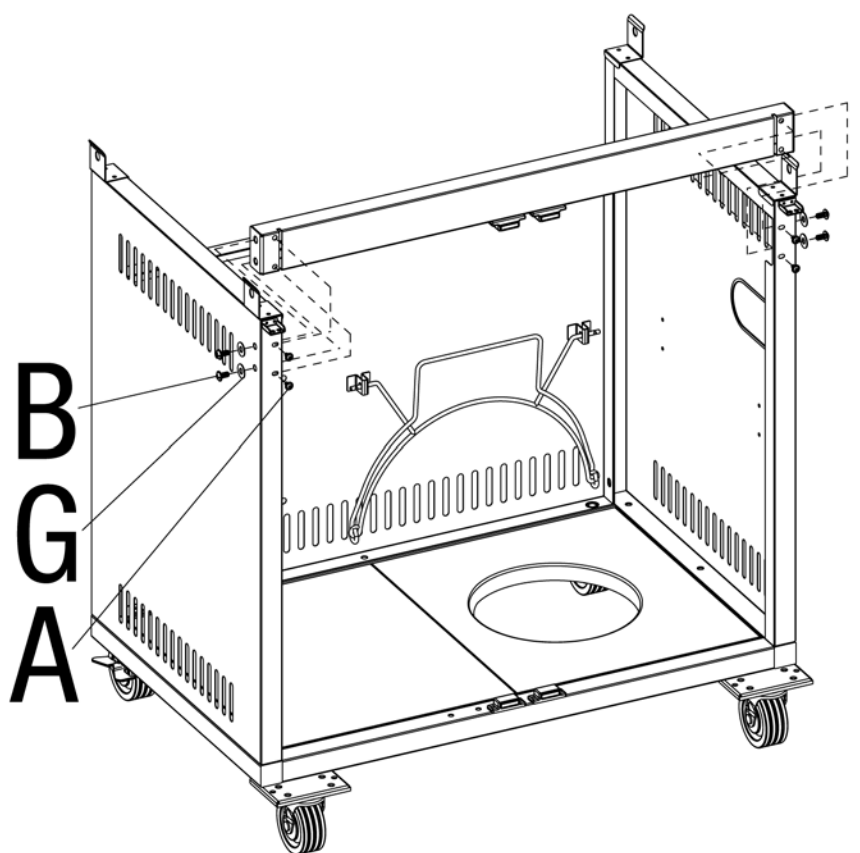
Remarque : Les roues verrouillables se montent à l'arrière.

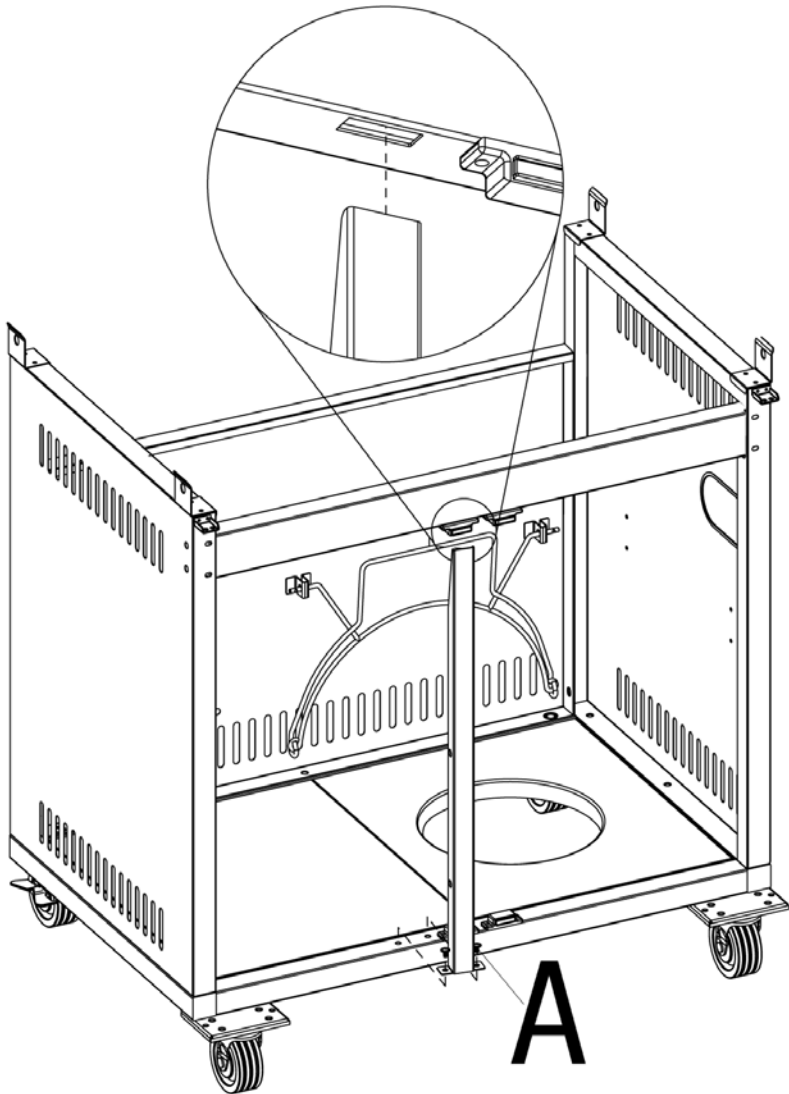


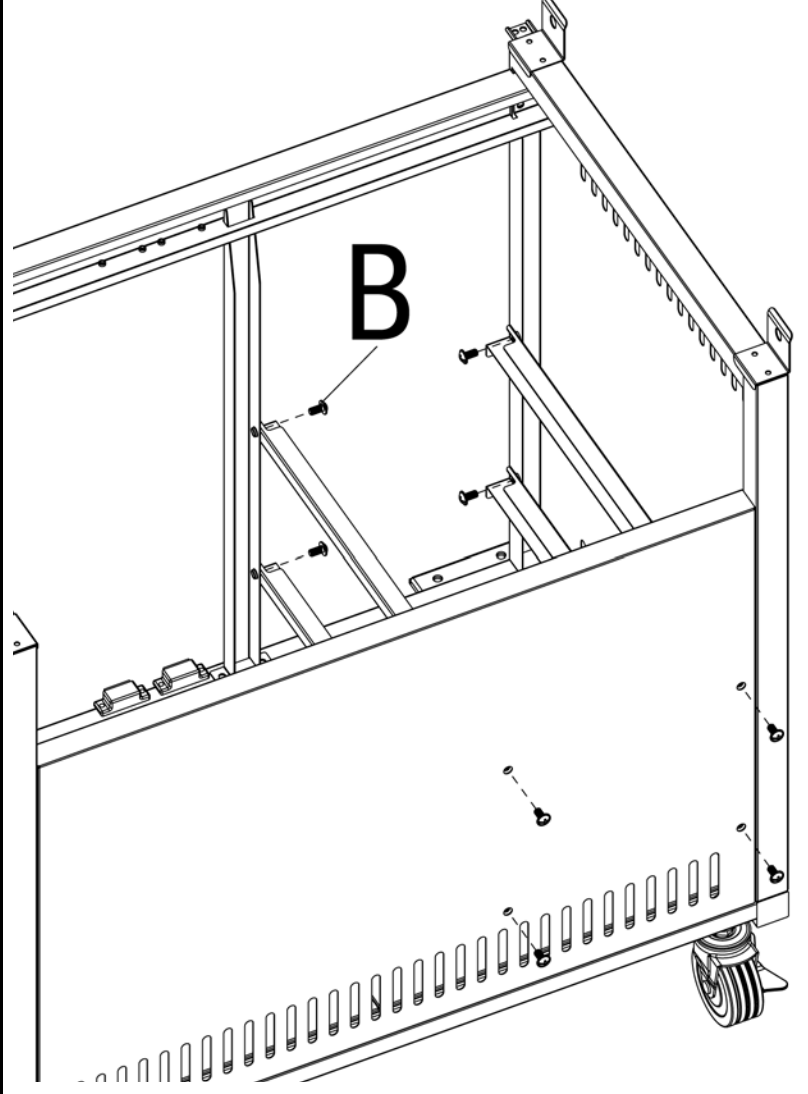
3 Fixer les panneaux latéraux et le panneau arrière

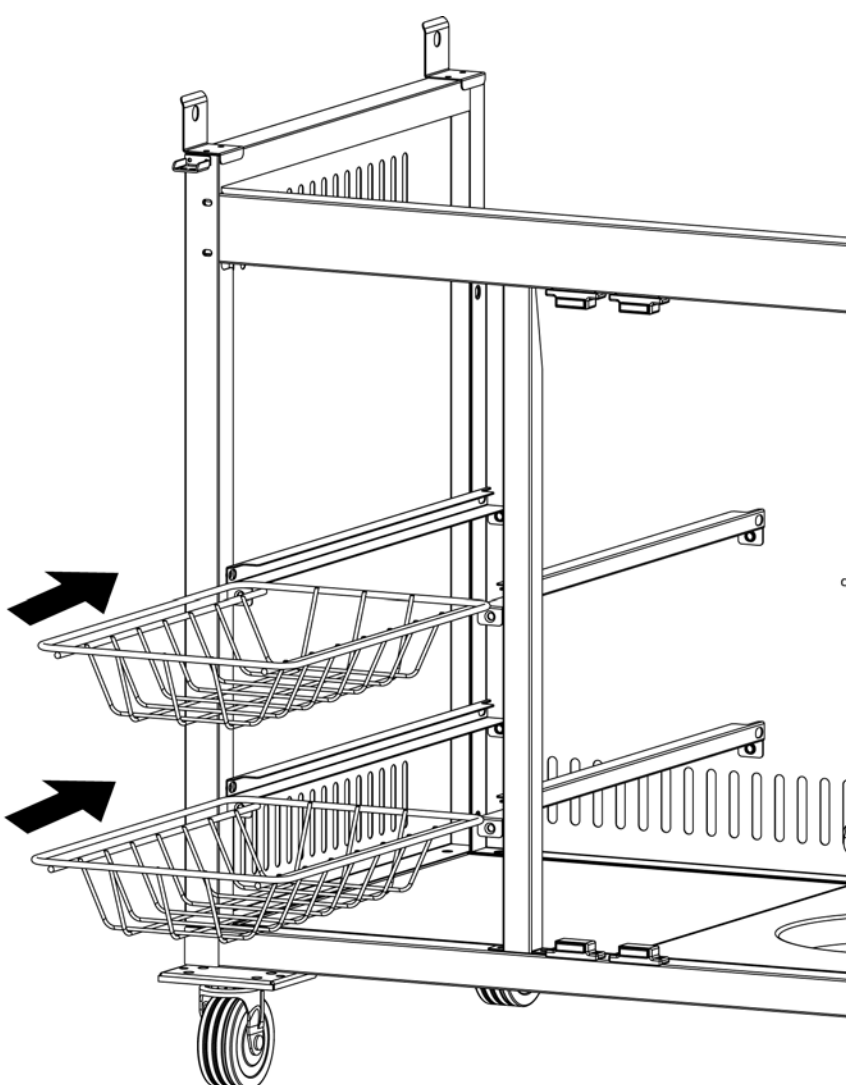
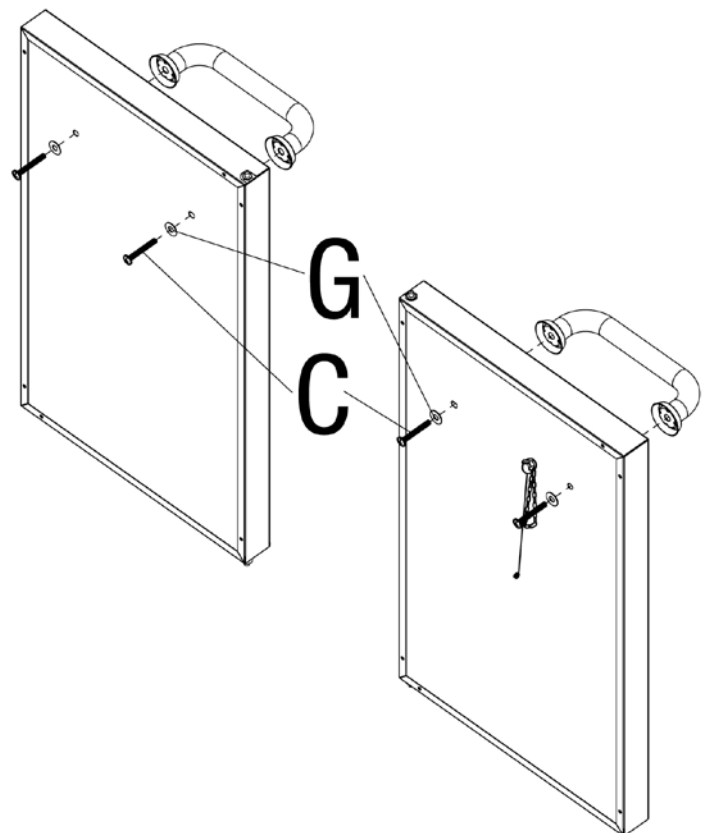


4 Fixer le support avant du cadre du chariot



Instructions d'assemblage
5
Fixer le support du cadre du chariot

A x 2

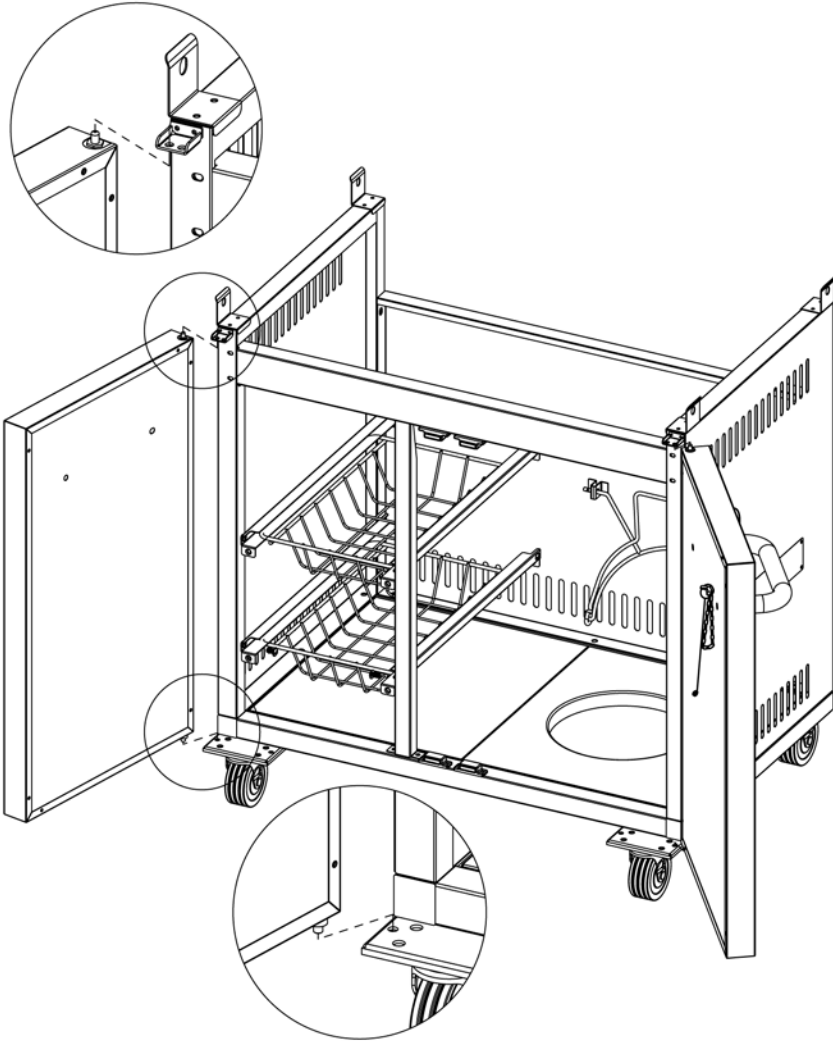
6
Fixer les supports des paniers

B x 8

7
Insérer les paniers

8
Fixer les poignées des portes

C x 4

G x 4

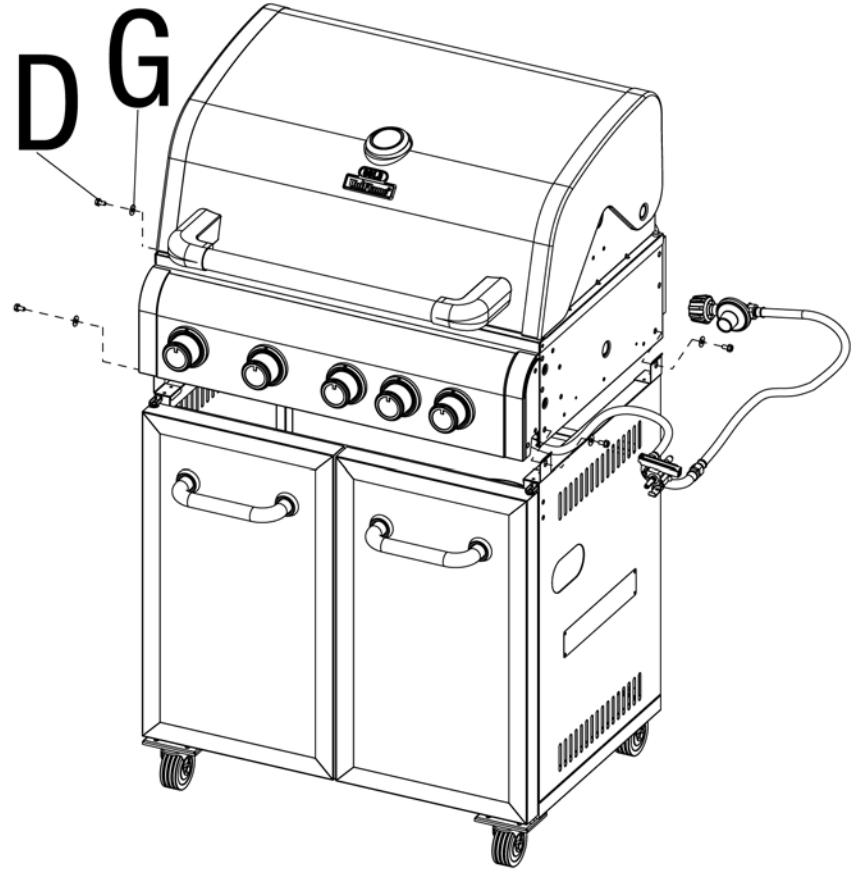
9

Fixer les portes

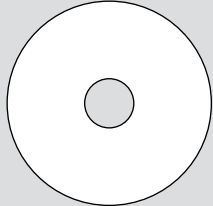


10

Fixer la cuve

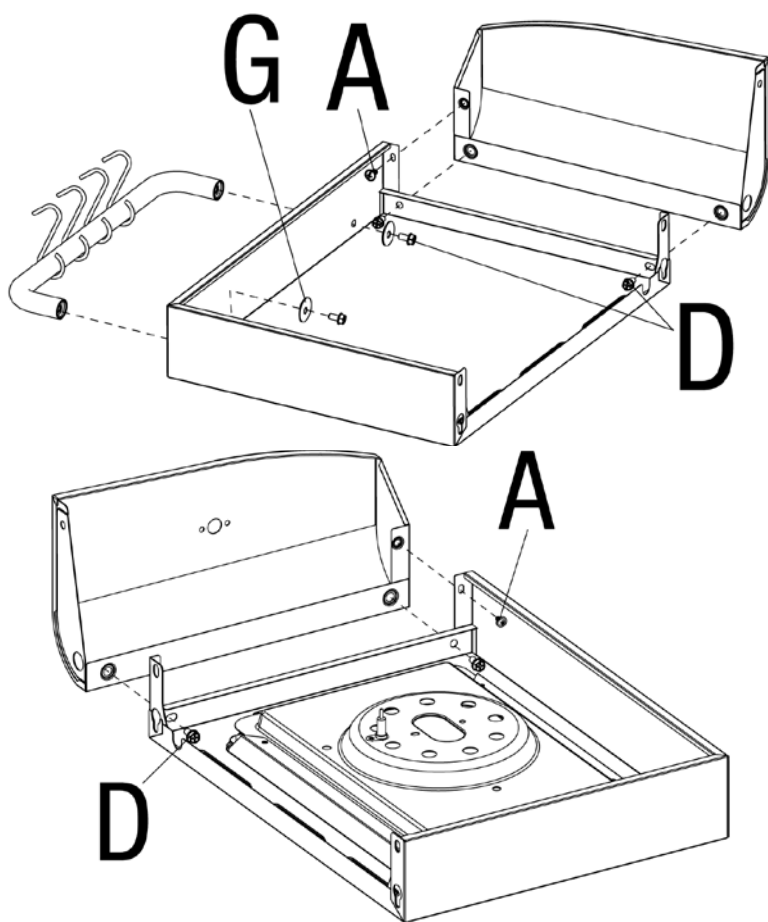


D  x 4

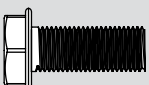
G  x 4

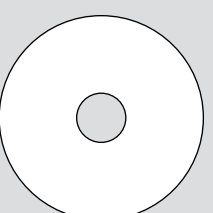
11

Fixer les panneaux avant des tablettes latérales et le porte-serviette



A  x 2

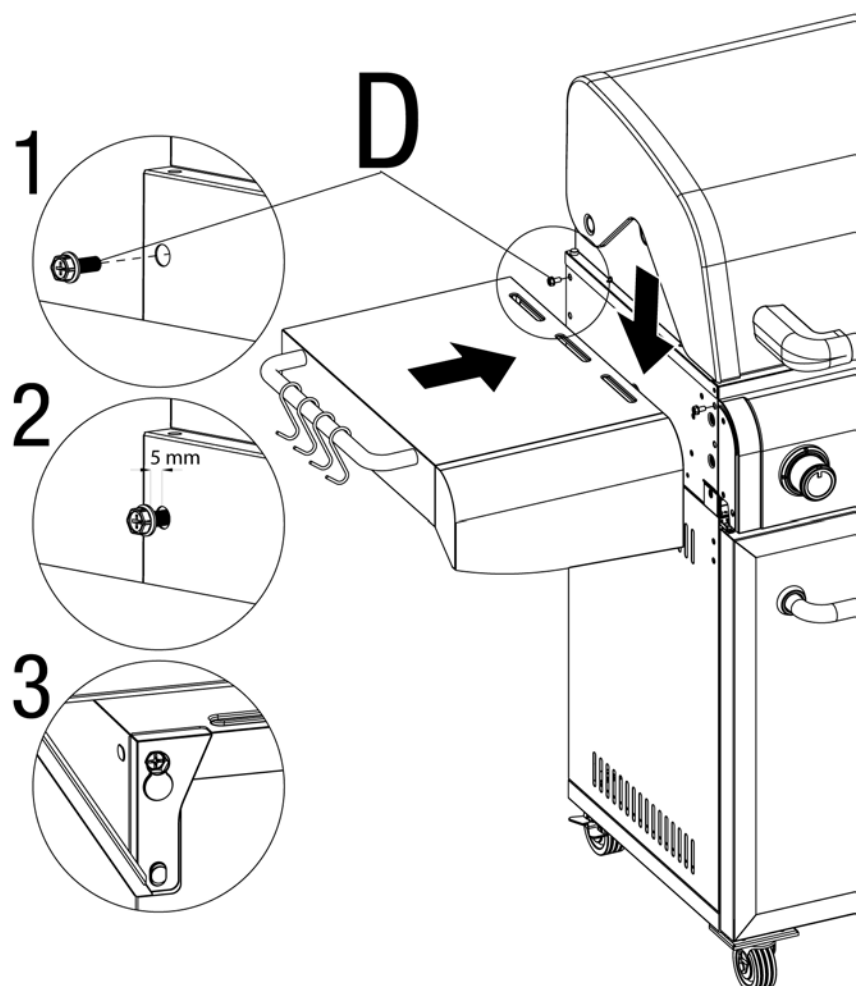
D  x 6

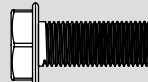
G  x 2

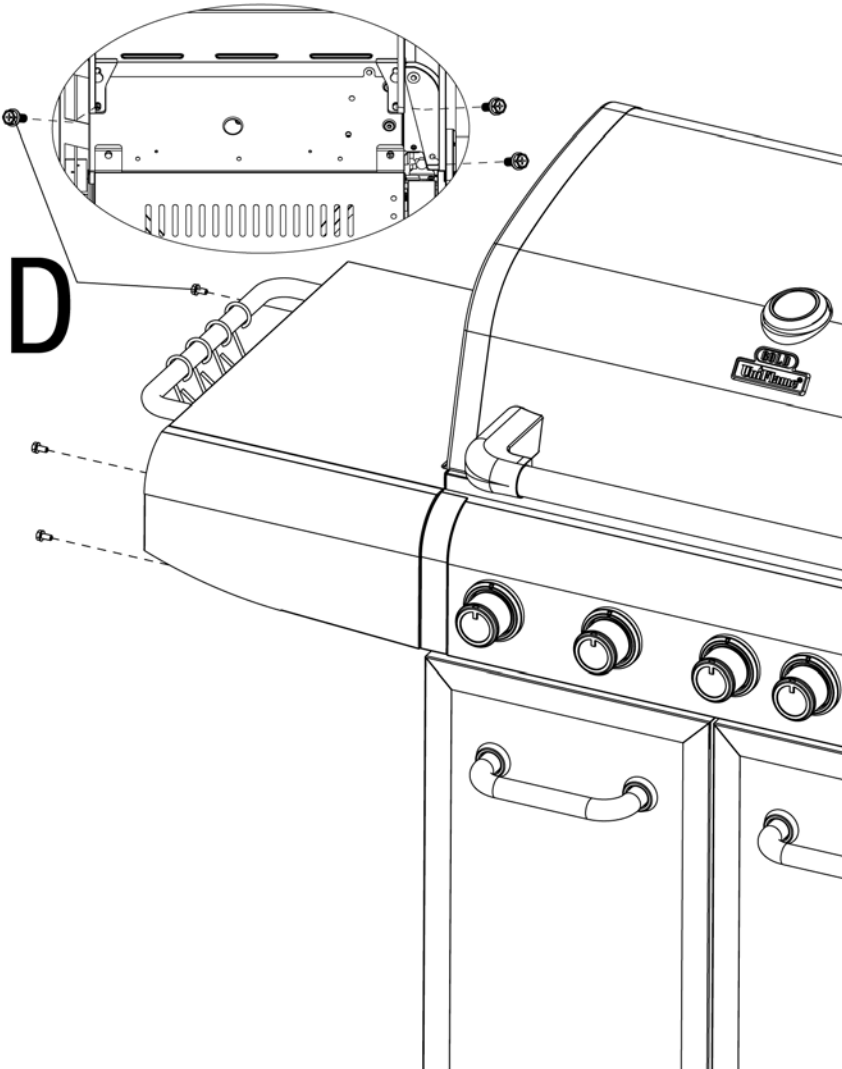
12

Installer la tablette gauche

Remarque : Faites en sorte que 5 mm du filetage des boulons demeurent visibles.

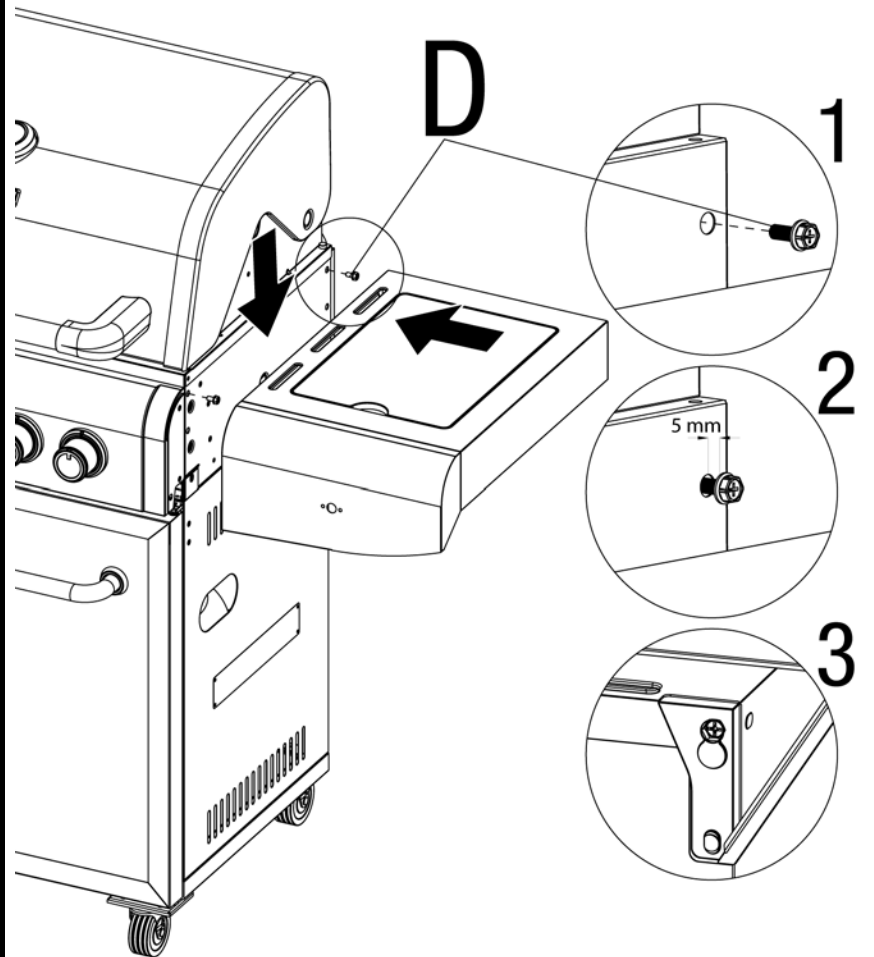


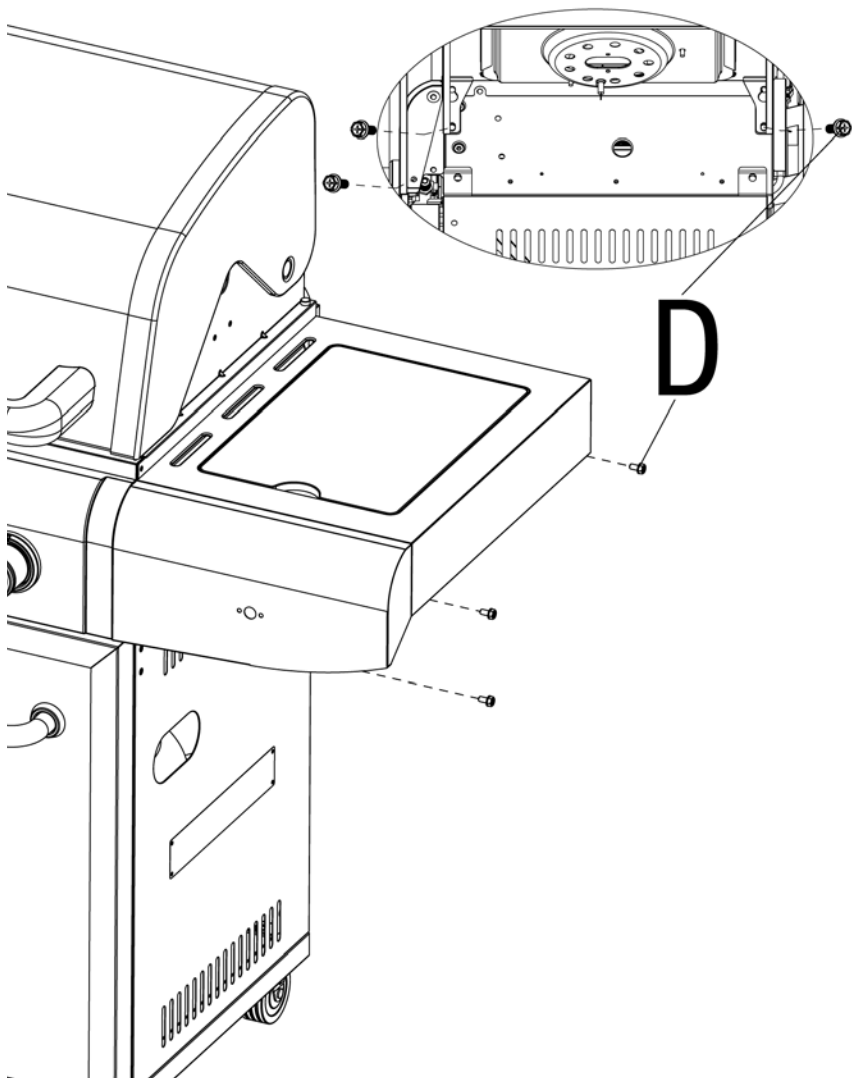
D  x 2

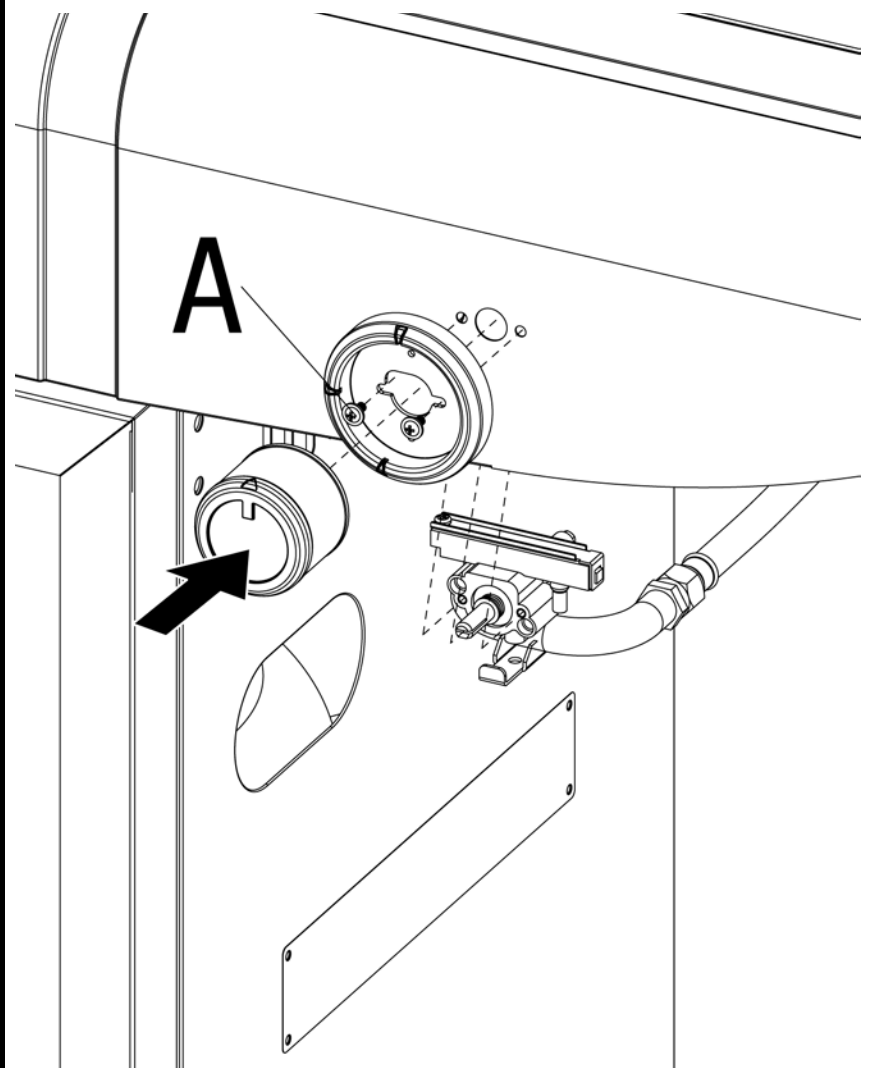
Instructions d'assemblage (suite)
13 Fixer la tablette gauche

D x3

14 Installer la tablette droite

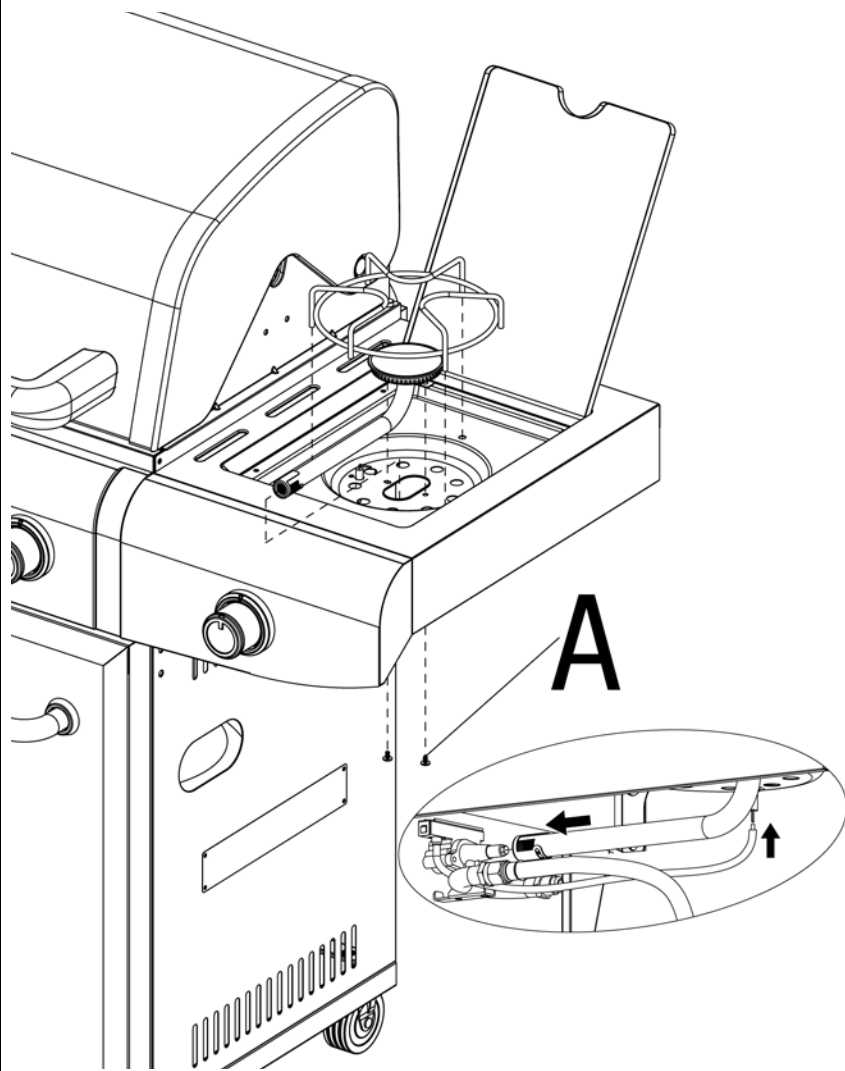
Remarque : Faites en sorte que 5 mm du filetage des boulons demeurent visibles.

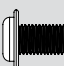

D x2

15 Fixer la tablette droite

D x3

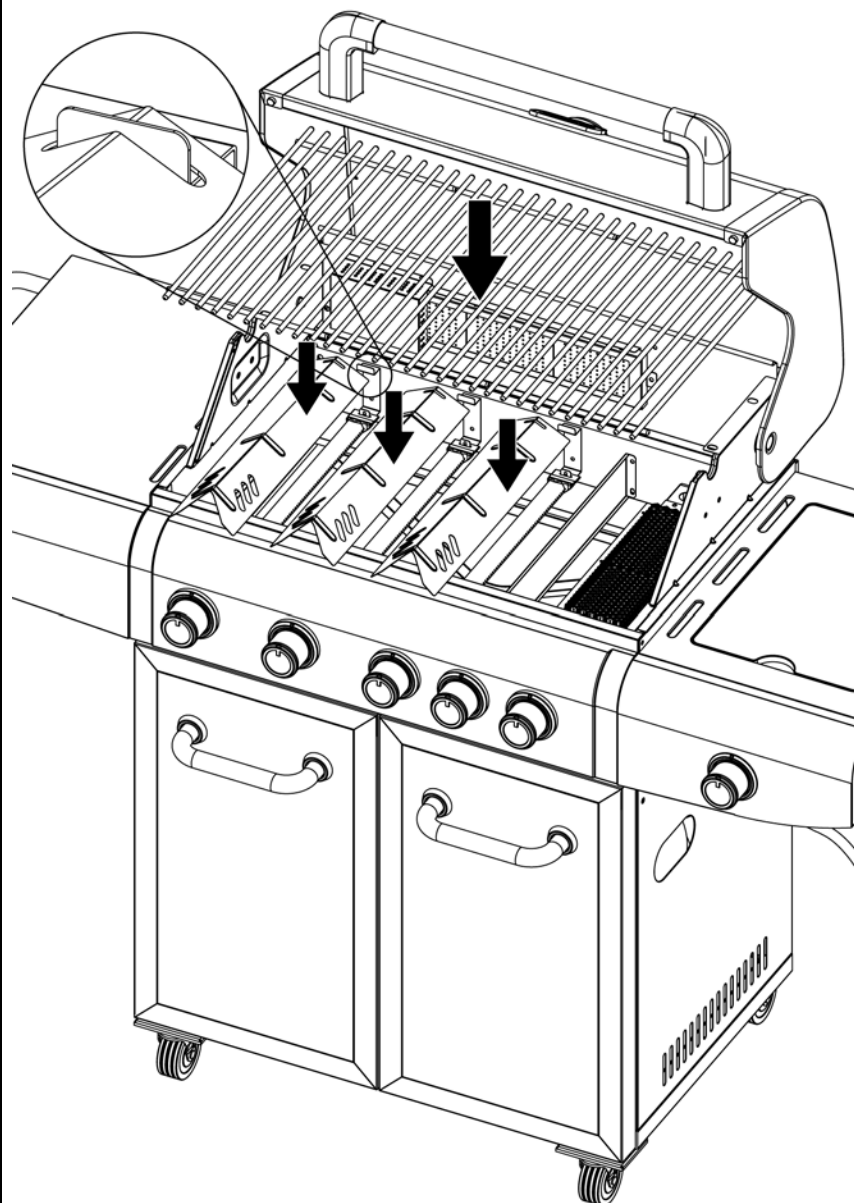
16 Fixer le régulateur du brûleur latéral, le cadran du bouton de commande puis le bouton de commande

A x2

17 Fixer le brûleur latéral, le fil de l'allumeur puis la grille du brûleur latéral

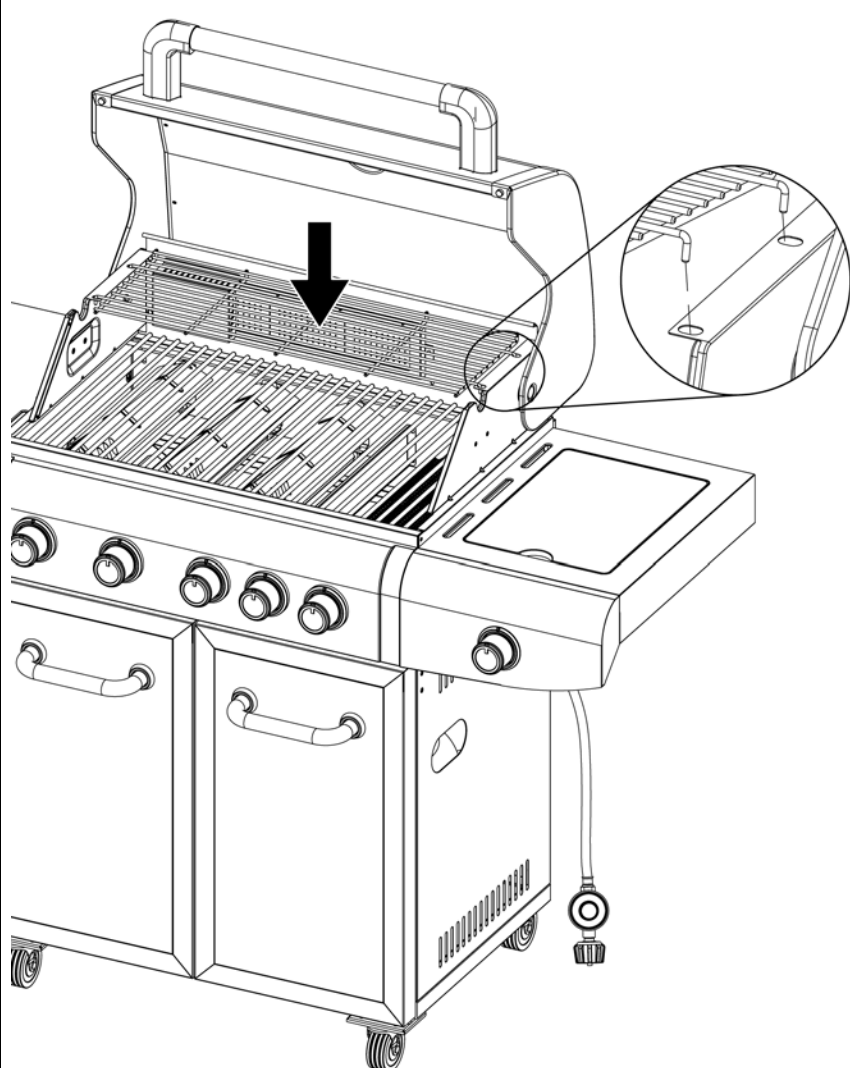


A  x 2

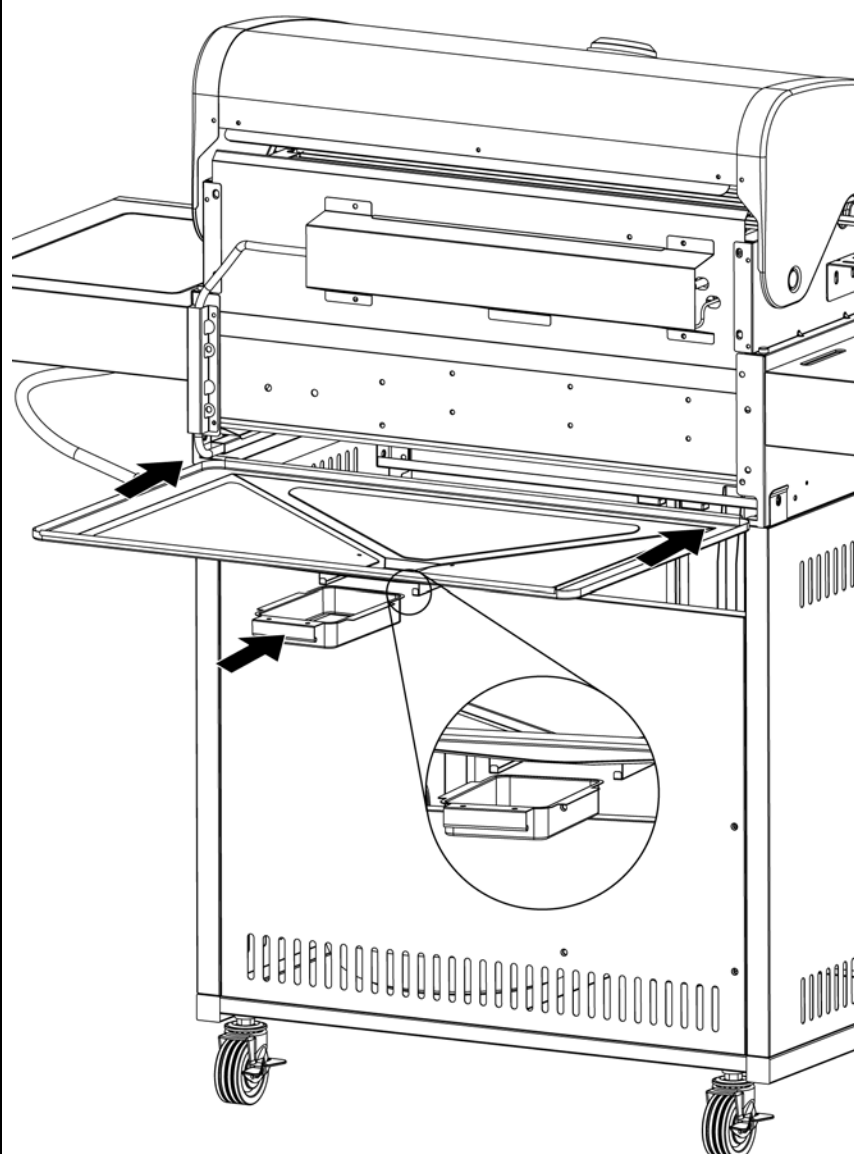
18 Placer les diffuseurs de chaleur et les grilles de cuisson

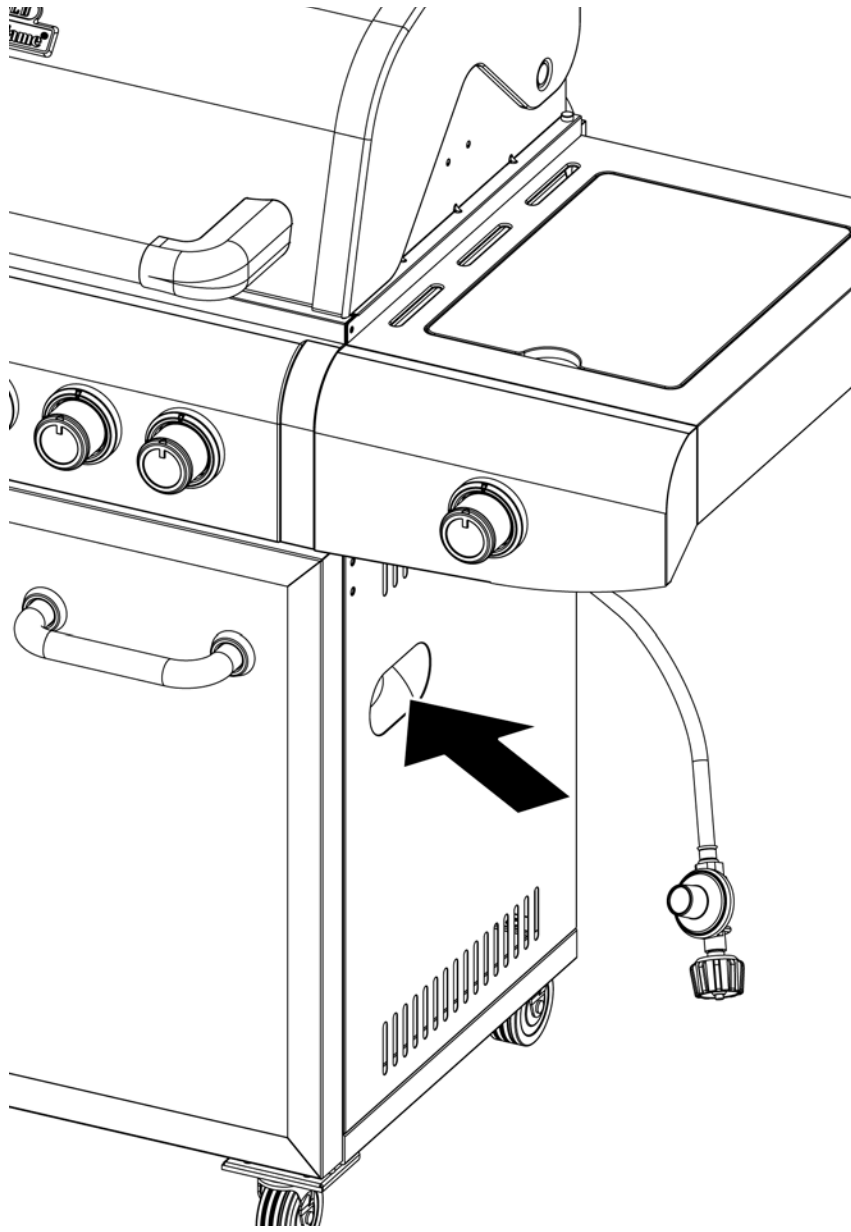


19 Insérer la grille de réchauffage



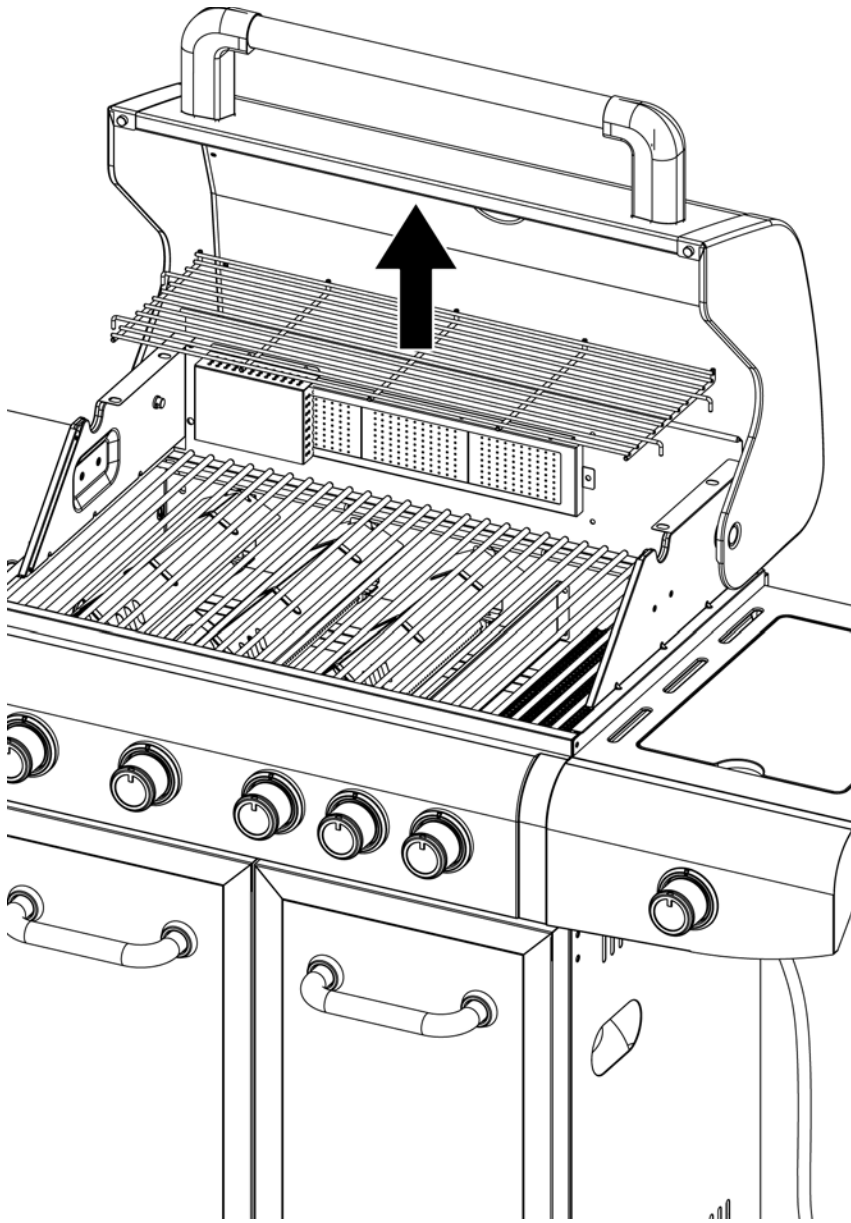
20 Insérer la plaque collectrice de graisse et le godet collecteur de graisse



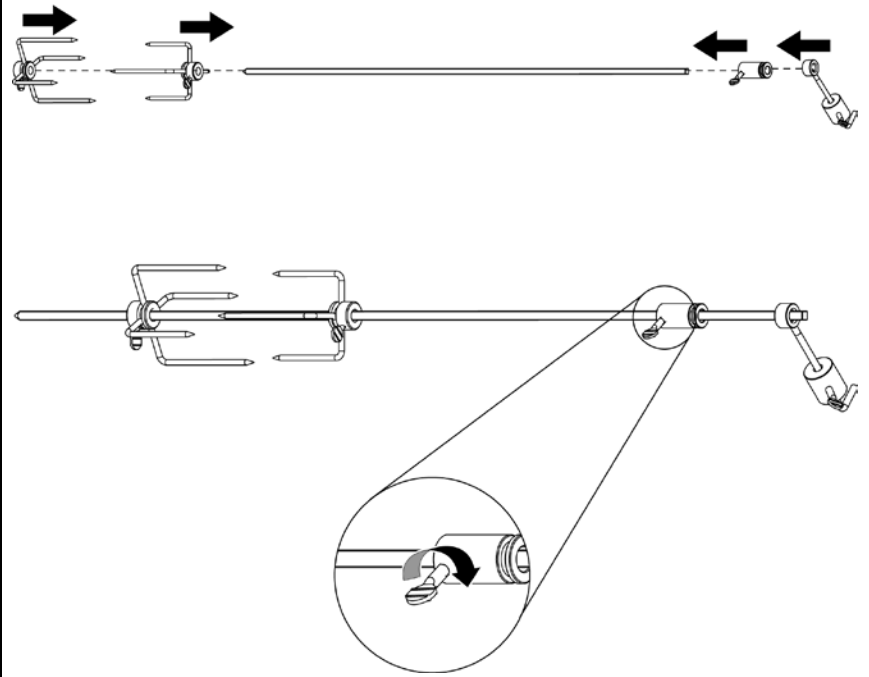
Instructions d'assemblage (suite)**21****Insérer le régulateur**

Instructions d'assemblage - Tournebroche

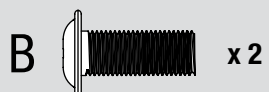
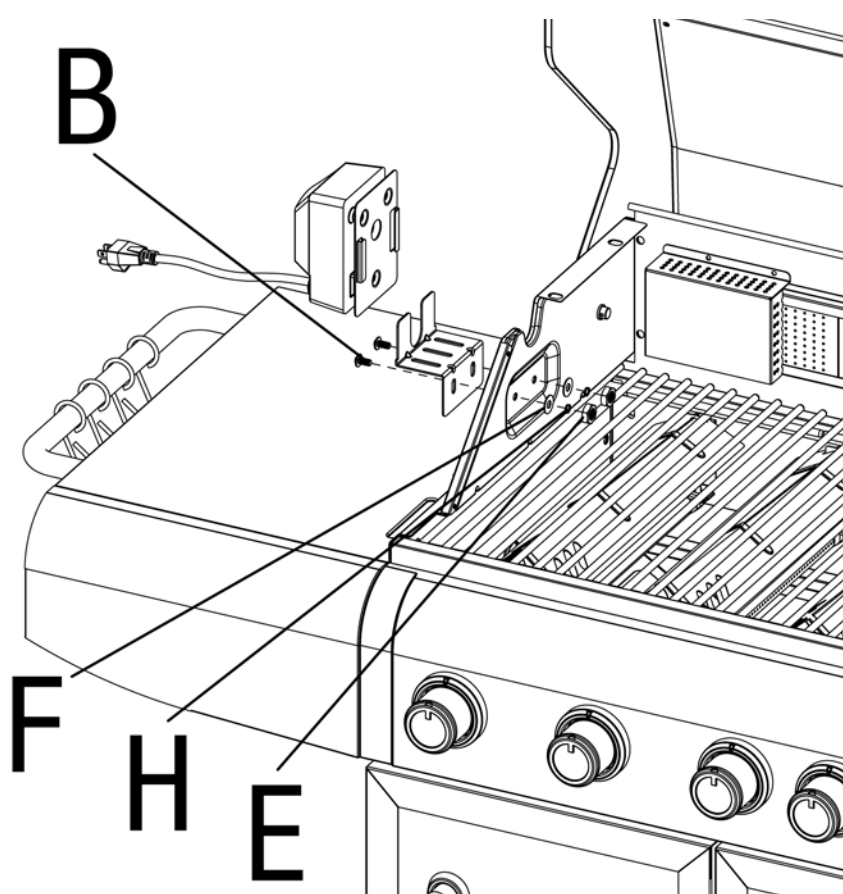
1 Retirer la grille de réchauffage



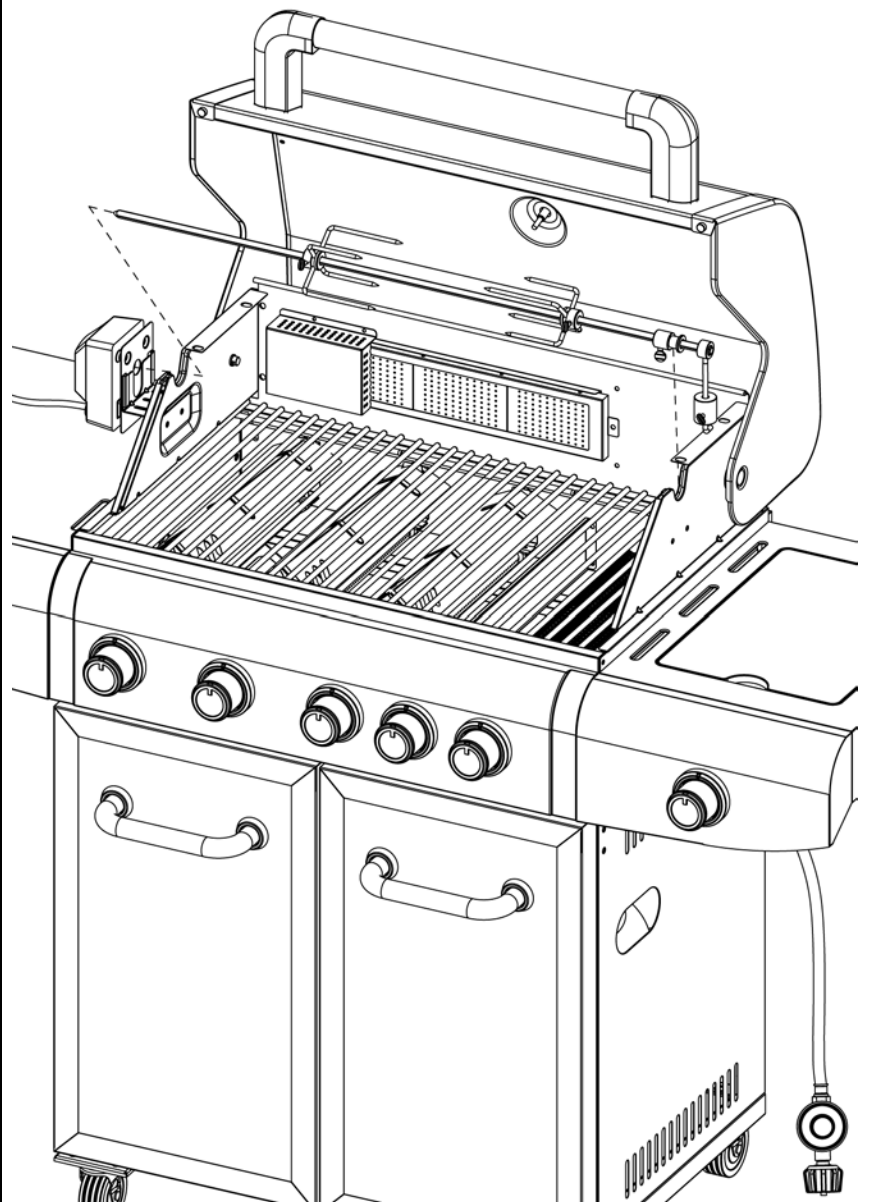
2 Assembler les pièces du tournebroche



3 Fixer le support du moteur du tournebroche puis le moteur du tournebroche



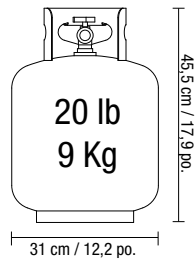
4 Insérer le tournebroche



Installer la bouteille de propane

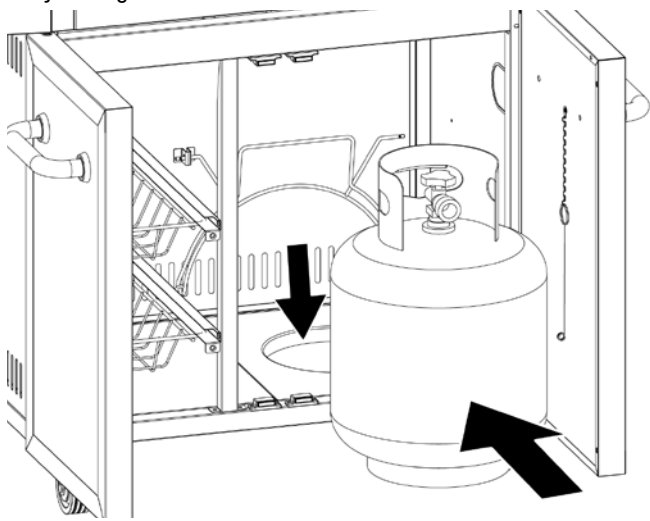
Il est nécessaire de brancher une bouteille de propane standard de 20 lb (9 kg) pour barbecue avec robinet à filetage externe.

⚠ ATTENTION : La bouteille de propane doit être correctement débranchée et retirée avant de déplacer ce barbecue.



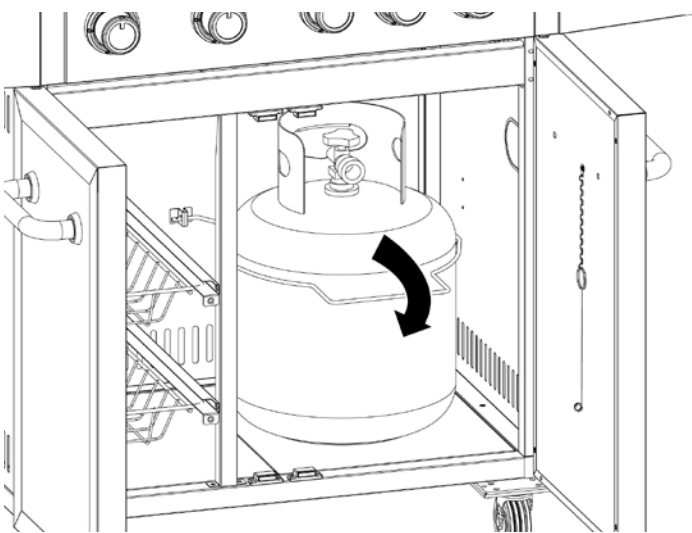
Insérer la bouteille de propane

Placez la bouteille de propane ayant été remplie avec précision debout, dans la cavité qui lui est réservée dans la partie droite du cadre, de manière à ce que l'entrée du robinet de gaz se trouve face au tuyau de gaz.



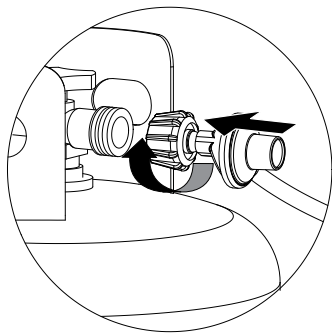
Fixer la bouteille de propane

Fixer la bouteille de gaz en glissant l'étrier de retenue par-dessus l'épaule de la bouteille de propane.



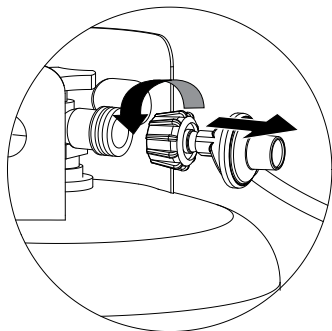
Brancher la bouteille de propane

- Avant de procéder au branchement, assurez-vous de l'absence de débris dans la tête de la bouteille de propane, autour de la tête du régulateur ainsi que dans la tête du brûleur et dans les orifices du brûleur.
- Branchez le régulateur et son tuyau sur la bouteille en tournant dans le sens des aiguilles d'une montre jusqu'au blocage.



Débrancher la bouteille de propane

- Avant de débrancher la bouteille de propane, assurez-vous que le robinet de la bouteille se trouve sur « CLOSED » (fermé).
- Débranchez le régulateur et son tuyau de la bouteille de propane en tournant le bouton dans le sens inverse à celui des aiguilles d'une montre jusqu'à ce qu'il soit desserré.



⚠ ATTENTION : La bouteille de propane doit être correctement débranchée et retirée avant de déplacer ce barbecue.

- Mettez un bouchon antipoussière sur la sortie du robinet de la bouteille et l'entreposez à l'extérieur dans un endroit bien aéré et loin des rayons directs du soleil.



Pour obtenir une autre bouteille de propane

Vous avez besoin d'une bouteille de gaz? Essayez notre service d'échange de bouteilles de propane. C'est un service facile, rapide, sans danger et présent dans des dizaines de milliers de points de vente partout dans le pays. Ces points de vente sont le plus souvent ouverts toute la nuit ainsi que les fins de semaine. Achetez une bouteille neuve remplie avec précision ou échangez votre bouteille vide contre une bouteille déjà remplie avec précision. Il vous est également possible de faire remplir votre bouteille auprès d'une station de remplissage. Vérifiez les heures d'ouverture de la station de remplissage.

Fonctionnement (suite)

Détecter une fuite

Raccordement des brûleurs

- Assurez-vous que le régulateur et son tuyau ont été correctement raccordés au brûleur et à la bouteille de gaz.
- Vérifiez visuellement le branchement du tube de venturi du brûleur sur l'orifice.
- Assurez-vous que le tube de venturi du brûleur est correctement placé sur l'orifice.

⚠ AVERTISSEMENT : Si vous ne vérifiez pas ce raccord et ne respectez pas ces instructions, vous risquez de provoquer un incendie ou une explosion pouvant entraîner des dégâts matériels, des blessures graves voire la mort.

- Reportez-vous à l'illustration afin d'effectuer correctement l'installation (illustrations 1 et 2).
- Si le tube du brûleur ne repose pas au ras de l'orifice, veuillez appeler notre service à la clientèle au 1.800.762.1142.

Raccordement de la bouteille et du tuyau de gaz

- Préparez une solution d'environ 80 ml destinée à détecter les fuites en mélangeant un volume de liquide à vaisselle et 3 volumes d'eau.
- Assurez-vous que les boutons de commande du barbecue sont tous sur « ARRÊT ». Reportez-vous à l'illustration 3.
- Branchez la bouteille de propane en suivant les instructions « Installer la bouteille de propane ».
- Ouvrez le gaz en réglant le robinet de la bouteille de propane sur « OPEN » (ouvert).
- Versez quelques gouttes de la solution de détection de fuites sur tous les points de raccordement indiqués par un « X » (illustrations 1, 2 et 4).
 - Si des bulles apparaissent, fermez le gaz en réglant le robinet de la bouteille de propane sur « CLOSED » (fermé), desserrez le raccord puis rebranchez en vous assurant qu'il est étanche en effectuant un autre test d'étanchéité.
 - Si des bulles persistent après plusieurs tentatives, fermez le gaz en réglant le robinet de la bouteille de propane sur « CLOSED » (fermé), débranchez la bouteille en suivant les instructions « Débrancher la bouteille de propane » et appelez le 1.800.762.1142.
 - Si il n'y a toujours pas de bulles après une minute, fermez le gaz en réglant le robinet de la bouteille de propane sur « CLOSED » (fermé), essuyez la solution et continuez.

Illustration 1

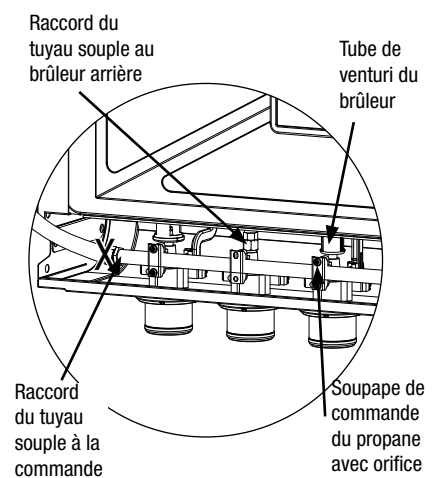


Illustration 2

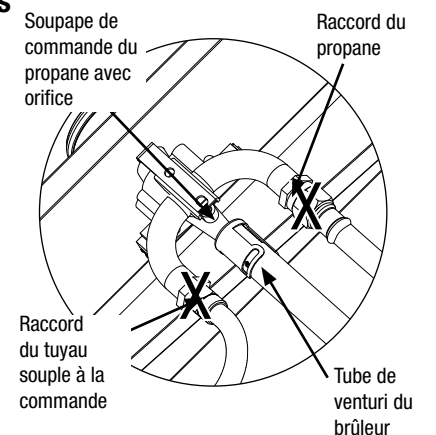


Illustration 3

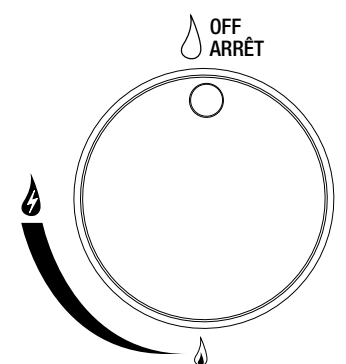
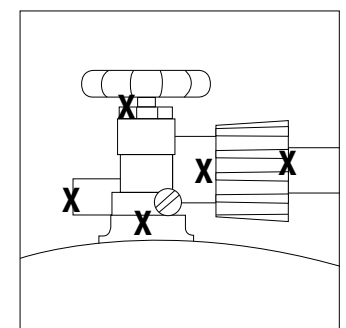


Illustration 4



Fonctionnement des brûleurs principaux

Utiliser le barbecue pour la première fois

- Assurez-vous d'avoir retiré toutes les étiquettes ainsi que tous les matériaux d'emballage et films protecteurs du barbecue.
- Avant de cuire quoi que ce soit sur le barbecue pour la première fois, faites fonctionner le barbecue pendant environ 15 minutes avec le couvercle fermé et le bouton de commande du gaz sur « maximum ». La chaleur « nettoiera » les pièces internes et dissipera les odeurs.

Pour allumer

- ⚠ ATTENTION : Assurez-vous que la zone autour du barbecue demeure dégagée et dépourvue de matières combustibles, d'essence et d'autres liquides et vapeurs inflammables.**
- ⚠ ATTENTION : Ne pas bloquer ni empêcher le débit d'air de combustion du propane ni de ventilation.**
- ⚠ ATTENTION : Assurez-vous que les tubes de venturi et des brûleurs ne sont pas bouchés par des insectes et leurs nids et nettoyez-les si nécessaire. Si la tubulure du brûleur est bouchée, ceci risque de provoquer un feu sous le barbecue.**
- ⚠ ATTENTION : Toute tentative d'allumage du brûleur avec le couvercle fermé peut provoquer une explosion!**

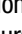


1. Ouvrez le couvercle du barbecue.
2. Assurez-vous qu'il n'existe aucune obstruction et que rien ne gêne le débit d'air vers les brûleurs. Des araignées et autres insectes peuvent y élire domicile et boucher le brûleur et le tube venturi au niveau de l'orifice. Si la tubulure du brûleur est bouchée, ceci risque de provoquer un feu en-dessous de l'appareil.
3. Tous les boutons de commande doivent être réglés sur «  ARRÊT ». Reportez-vous à l'illustration 3.
4. Branchez la bouteille de propane en suivant les instructions « Installer la bouteille de propane ».
5. Ouvrez le gaz en réglant le robinet de la bouteille de propane sur « OPEN » (ouvert).
6. Poussez et tournez lentement le bouton de commande sur  (max.). Le brûleur devrait s'allumer. Si le brûleur ne s'allume pas, répétez l'opération jusqu'à 3 fois si nécessaire.
7. Si l'appareil ne s'allume pas en 5 secondes, réglez le bouton du brûleur sur «  ARRÊT », attendez 5 minutes puis reprenez la procédure d'allumage depuis de début.
8. Si l'allumeur ne parvient pas à allumer le brûleur, fixez une allumette allumée au bout de la tige d'allumage (fournie avec le barbecue) afin d'allumer manuellement les brûleurs. Accédez aux brûleurs en introduisant l'allumette à travers la grille de cuisson et les diffuseurs de chaleur. Placez l'allumette allumée sur le côté du brûleur (voir illustration 5).

Illustration 5

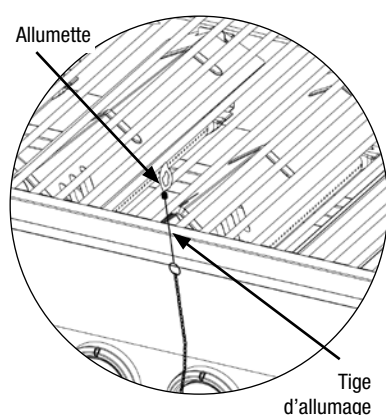
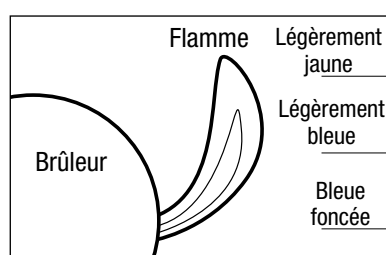



Illustration 6




Important : Veillez à toujours utiliser la tige d'allumage lorsque vous allumez les brûleurs avec une allumette.

9. Après avoir allumé les brûleurs, veuillez observer la flamme du brûleur et vérifiez que tous les orifices du brûleur sont allumés et que la hauteur de la flamme correspond à celle de l'illustration (voir illustration 6).

Remarque : Chaque brûleur s'allume indépendamment des autres. Reprenez les étapes 5 à 9 pour les autres brûleurs.



▲ ATTENTION : Si la flamme du brûleur s'éteint lors du fonctionnement du barbecue, fermer immédiatement le gaz en réglant les boutons de commande sur «  ARRÊT ». Fermer le gaz en réglant le robinet de la bouteille de propane sur « CLOSED » (fermé). Ouvrir le couvercle et attendez ensuite 5 minutes afin que le gaz se dissipe avant de tenter à nouveau d'allumer le barbecue.

Pour éteindre

1. Fermez le gaz en réglant le robinet de la bouteille de propane sur « CLOSED » (fermé).
2. Tournez tous les boutons de commande dans le sens des aiguilles d'une montre afin de les régler sur «  ARRÊT » les uns après les autres.
Remarque : Vous entendrez un son étouffé, ceci est normal, il s'agit du reste du gaz venant de se consumer.
3. Débranchez la bouteille en suivant les instructions « Débrancher la bouteille de propane ».

Éliminer les flambées soudaines

▲ ATTENTION : Il n'est pas possible d'éteindre les feux de graisse en fermant le couvercle du barbecue.


1. **En cas de feu de graisse, tourner les boutons de commande sur «  ARRÊT » : Fermer le gaz en réglant le robinet de la bouteille de propane sur « CLOSED » (fermé).
Ne pas utiliser d'eau pour éteindre un feu de graisse. Ceci risque de provoquer des éclaboussures et d'entraîner des brûlures graves, des blessures corporelles graves et d'autres dégâts.**
2. **Ne pas laisser le barbecue sans surveillance lorsqu'il est en phase de préchauffage ni après la cuisson pour éliminer des résidus de nourriture par chaleur intense avec le brûleur réglé sur  (max).
Si le barbecue n'a pas été nettoyé, un feu de graisse risque de se produire et d'endommager le barbecue.**

▲ AVERTISSEMENT : Lors de la cuisson, conserver toujours à portée de main des articles ou matières capables d'éteindre le feu. En cas de feu d'huile ou de graisse, utiliser un extincteur à poudre BC ou étouffer le feu avec de la terre, du sable ou du bicarbonate de soude. Ne pas tenter d'éteindre le feu avec de l'eau.

Les flambées soudaines sont normales et se produisent régulièrement lorsque vous cuisez de la viande au barbecue et donnent un goût unique à vos grillades.


De trop nombreuses flambées soudaines risquent de brûler vos aliments et de créer une situation dangereuse pour vous et votre barbecue.

Important : Les trop nombreuses flambées soudaines résultent d'une accumulation de résidus de graisse au fond du barbecue.

En cas de feu de graisse, fermez le couvercle ET tournez le(s) bouton(s) de commande sur «  ARRÊT » jusqu'à ce que le feu s'éteigne de lui-même. Faites preuve de précaution lorsque vous ouvrez le couvercle afin d'éviter tout retour de flamme.


En cas de trop nombreuses flambées soudaines, NE PAS verser d'eau sur les flammes.

Minimiser les flambées soudaines

1. Découpez le gras de la viande avant la cuisson.
2. Veillez à cuire les viandes très grasses à petit feu sur  (min.) ou en effectuant une cuisson indirecte.
3. Assurez-vous que le barbecue se trouve sur une surface dure et non combustible et que la graisse puisse s'égoutter dans le godet collecteur.


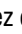

Fonctionnement du brûleur infrarouge pour saisir les aliments

Utiliser le barbecue pour la première fois


1. Assurez-vous d'avoir retiré toutes les étiquettes ainsi que tous les matériaux d'emballage et films protecteurs du barbecue
2. Avant de cuire quoi que ce soit sur le barbecue pour la première fois, faites fonctionner le barbecue pendant environ 15 minutes avec le couvercle fermé et le bouton de commande du gaz sur  (max.). La chaleur « nettoiera » les pièces internes et dissipera les odeurs.

Pour allumer


- ▲ ATTENTION : S'assurer que la zone autour du barbecue demeure dégagée et dépourvue de matières combustibles, d'essence et d'autres liquides et vapeurs inflammables.**
- ▲ ATTENTION : Ne pas bloquer ni empêcher le débit d'air de combustion du propane ni de ventilation.**
- ▲ ATTENTION : Assurez-vous que les tubes de venturi et des brûleurs ne sont pas bouchés par des insectes et leurs nids et nettoyez-les si nécessaire. Si la tubulure du brûleur est bouchée, ceci risque de provoquer un feu sous le barbecue.**
- ▲ ATTENTION : Toute tentative d'allumage du brûleur avec le couvercle fermé peut provoquer une explosion!**

1. Ouvrez le couvercle du barbecue.
2. Assurez-vous qu'il n'existe aucune obstruction et que rien ne gêne le débit d'air vers les brûleurs. Des araignées et autres insectes peuvent y élire domicile et boucher le brûleur et tube de venturi au niveau de l'orifice. Si la tubulure du brûleur est bouchée, ceci risque de provoquer un feu en-dessous de l'appareil.
3. Tous les boutons de commande doivent être réglés sur «  ARRÊT ». Reportez-vous à l'illustration 3.
4. Branchez la bouteille de propane en suivant les instructions « Installer la bouteille de propane ».
5. Ouvrez le gaz en réglant le robinet de la bouteille de propane sur « OPEN » (ouvert).
6. Poussez et tournez lentement le bouton de commande sur  (max.). Le brûleur devrait s'allumer. Si le brûleur ne s'allume pas, répétez l'opération jusqu'à 3 fois si nécessaire.
Remarque : Le brûleur infrarouge devrait devenir rouge après 2 ou 3 minutes.
7. Si l'appareil ne s'allume pas en 5 secondes, réglez le bouton du brûleur sur «  ARRÊT », attendez 5 minutes puis reprenez la procédure d'allumage depuis de début.
8. Si l'allumeur ne parvient pas à allumer le brûleur, fixez une allumette allumée au bout de la tige d'allumage (fournie avec le barbecue) afin d'allumer manuellement les brûleurs. Placez l'allumette allumée sur le côté du brûleur (voir illustration 7).

Important : Veillez à toujours utiliser la tige d'allumage lorsque vous allumez les brûleurs avec une allumette.

▲ ATTENTION : Si la flamme du brûleur s'éteint lors du fonctionnement du barbecue, fermer immédiatement le gaz en réglant les boutons de commande sur «  ARRÊT ». Fermer le gaz en réglant le robinet de la bouteille de propane sur « CLOSED » (fermé). Ouvrir le couvercle et attendez ensuite 5 minutes afin que le gaz se dissipe avant de tenter à nouveau d'allumer le barbecue.

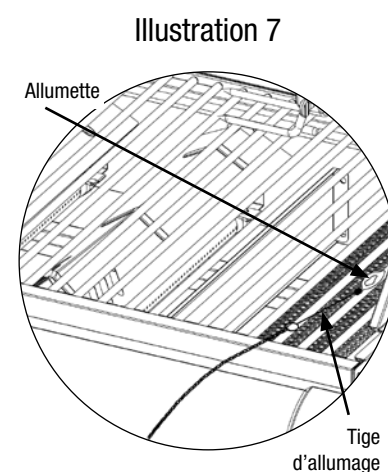
Pour éteindre

1. Fermez le gaz en réglant le robinet de la bouteille de propane sur « CLOSED » (fermé).
2. Tournez le bouton de commande dans le sens des aiguilles d'une montre afin de le régler sur «  ARRÊT ».
Remarque : Vous entendrez un son étouffé, ceci est normal, il s'agit du reste du gaz venant de se consumer.
3. Débranchez la bouteille en suivant les instructions « Débrancher la bouteille de propane ».

Fonctionnement du brûleur latéral



REMARQUE : Le brûleur latéral peut être utilisé pendant que les brûleurs principaux fonctionnent.
Ne jamais utiliser le brûleur latéral en tant que barbecue.


- ▲ ATTENTION : La charge maximum pouvant être soutenue dans le brûleur latéral est de 33 lb (15 kg).**
- ▲ ATTENTION : Si vous utilisez des casseroles de 5,6 litres vous risquez de dépasser la limite de poids maximum de la tablette du brûleur latéral et les pièces du barbecue risquent de se rompre.**
- ▲ ATTENTION : NE PAS se pencher sur la tablette du brûleur latéral.**




Fonctionnement (suite)

Pour allumer

- Ouvrez le couvercle du barbecue. **Toute tentative d'allumage du brûleur avec le couvercle fermé risque de provoquer une explosion!**
 - Assurez-vous qu'il n'existe aucune obstruction et que rien ne gêne le débit d'air vers les brûleurs. Des araignées et autres insectes peuvent y élire domicile et boucher le brûleur et tube de venturi au niveau de l'orifice. Si la tubulure du brûleur est bouchée, ceci risque de provoquer un feu en-dessous de l'appareil.
 - Le bouton de commande doit être réglé sur « ARRÊT ». Reportez-vous à l'illustration 7.
 - Branchez la bouteille de propane en suivant les instructions « Installer la bouteille de propane ».
 - Tournez le robinet de gaz de la bouteille de propane sur « OPEN » (ouvert).
 - Choisissez le brûleur que vous souhaitez allumer. Poussez et tournez le bouton de commande sur  (max.). Répétez l'opération jusqu'à trois fois.
 - Si l'allumage ne se produit pas dans les 5 secondes suivantes, tournez le bouton de commande du brûleur à la position « ARRÊT  »; attendez 5 minutes et répétez la procédure d'allumage.
 - Si l'allumeur ne parvient pas à allumer le brûleur, Fixer une allumette allumée au bout de la tige d'allumage fournie afin d'allumer manuellement les brûleurs. Placez l'allumette allumée sur le côté du brûleur (voir illustration 8).
- Important:** Veillez à toujours utiliser la tige d'allumage lorsque vous allumez les brûleurs avec une allumette.
- Après avoir allumé les brûleurs, veuillez observer la flamme du brûleur et vérifiez que tous les orifices des brûleurs sont allumés et que la hauteur de la flamme correspond à celle de l'illustration (voir illustration 9).

⚠ ATTENTION : Si la flamme du brûleur s'éteint lors du fonctionnement du barbecue, fermez immédiatement le gaz en réglant les boutons de commande sur « ARRÊT  » et tournez le robinet de la bouteille de propane sur « CLOSED » (fermé) ouvrez le couvercle afin que le gaz se dissipe et attendez 5 minutes avant de tenter à nouveau d'allumer le barbecue.

Pour éteindre

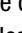
- Fermez le gaz en réglant le robinet de la bouteille de propane sur « CLOSED » (fermé).
- Tournez tous les boutons de commande dans le sens des aiguilles d'une montre afin de les régler sur « ARRÊT  » les uns après les autres.
Remarque : Vous entendrez un son étouffé, ceci est normal, il s'agit du reste du gaz venant de se consumer.
- Débranchez la bouteille en suivant les instructions « Débrancher la bouteille de propane ».

Cuisson

- Ouvrez le couvercle et allumez le brûleur en suivant les instructions d'allumage du manuel d'utilisation.
- Réglez le bouton de commande à la hauteur de flamme désirée.
- Placez la casserole ou le bac contenant les aliments au centre de la grille de cuisson.
- Procédez à la cuisson et réglez la température au besoin.
- Éteignez le barbecue en suivant les instructions « Pour éteindre ».
-

Fonctionnement du brûleur arrière infrarouge

Utiliser le barbecue pour la première fois

- Assurez-vous d'avoir retiré toutes les étiquettes ainsi que tous les matériaux d'emballage et films protecteurs du barbecue
- Avant de cuire quoi que ce soit sur le barbecue pour la première fois, faites fonctionner le barbecue pendant environ 15 minutes avec le couvercle fermé et le bouton de commande du gaz sur  (max.). La chaleur « nettoiera » les pièces internes et dissipera les odeurs.

Pour allumer

- ⚠ ATTENTION : S'assurer que la zone autour du barbecue demeure dégagée et dépourvue de matières combustibles, d'essence et d'autres liquides et vapeurs inflammables.**
- ⚠ ATTENTION : Ne pas bloquer ni empêcher le débit d'air de combustion du propane ni de ventilation.**
- ⚠ ATTENTION : S'assurer que les tubes de venturi et des brûleurs ne sont pas bouchés par des insectes et leurs nids et nettoyez-les si nécessaire. Si la tubulure du brûleur est bouchée, ceci risque de provoquer un feu sous le barbecue.**
- ⚠ ATTENTION : Toute tentative d'allumage du brûleur avec le couvercle fermé peut provoquer une explosion!**

Illustration 8

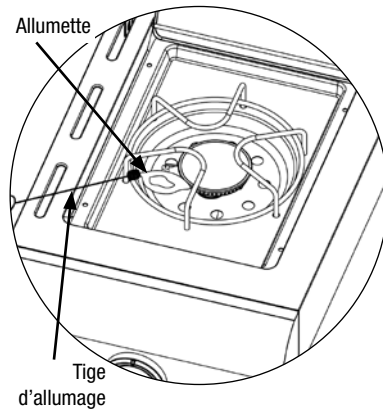
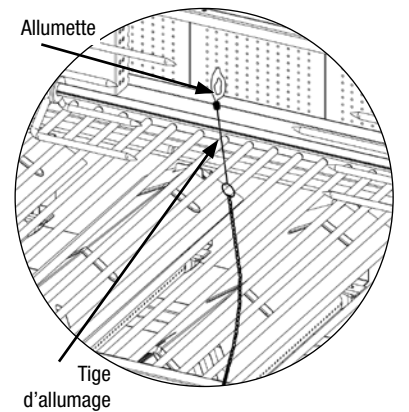






Illustration 9

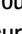


- Ouvrez le couvercle du barbecue.
- Assurez-vous qu'il n'existe aucune obstruction et que rien ne gêne le débit d'air vers les brûleurs. Des araignées et autres insectes peuvent y élire domicile et boucher le brûleur et tube de venturi au niveau de l'orifice. Si la tubulure du brûleur est bouchée, ceci risque de provoquer un feu en-dessous de l'appareil.
- Le bouton de commande doit être réglé sur  « ARRÊT ». Reportez-vous à l'illustration 3.
- Branchez la bouteille de propane en suivant les instructions « Installer la bouteille de propane ».
- Ouvrez le gaz en réglant le robinet de la bouteille de propane sur « OPEN » (ouvert).
- Poussez et tournez lentement le bouton de commande sur  (max.). Le brûleur devrait s'allumer. Si le brûleur ne s'allume pas, répétez l'opération jusqu'à 3 fois si nécessaire.
Remarque: Le brûleur infrarouge devrait devenir rouge après 2 ou 3 minutes.
- Si l'appareil ne s'allume pas en 5 secondes, réglez le bouton du brûleur sur «  ARRÊT », attendez 5 minutes puis reprenez la procédure d'allumage depuis le début.
- Si l'allumeur ne parvient pas à allumer le brûleur, fixez une allumette allumée au bout de la tige d'allumage (fournie avec le barbecue) afin d'allumer manuellement les brûleurs. Placez l'allumette allumée sur le côté du brûleur (voir illustration 7).

Important : Veillez à toujours utiliser la tige d'allumage lorsque vous allumez les brûleurs avec une allumette.

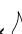

⚠ ATTENTION : Si la flamme du brûleur s'éteint lors du fonctionnement du barbecue, fermer immédiatement le gaz en réglant le bouton de commande sur «  ARRÊT ». Fermer le gaz en réglant le robinet de la bouteille de propane sur « CLOSED » (fermé). Ouvrir le couvercle et attendre ensuite 5 minutes afin que le gaz se dissipe avant de tenter à nouveau d'allumer le barbecue.

Pour éteindre

- Fermez le gaz en réglant le robinet de la bouteille de propane sur « CLOSED » (fermé).
- Tournez le bouton de commande dans le sens des aiguilles d'une montre afin de le régler sur «  ARRÊT ».
Remarque : Vous entendrez un son étouffé, ceci est normal, il s'agit du reste du gaz venant de se consumer.
- Débranchez la bouteille en suivant les instructions « Débrancher la bouteille de propane ».

Fonctionnement du tournebroche

⚠ AVERTISSEMENT : Lors de l'utilisation d'appareils électriques, il faut toujours prendre des mesures de sécurité élémentaires, en particulier les suivantes :

- Toujours fixer le tournebroche au barbecue avant de brancher son cordon dans une prise mise à la terre. Pour le débrancher, éteignez le tournebroche avant de débrancher la fiche de la prise.
- La plupart des surfaces et des accessoires du barbecue sont chauds pendant la cuisson et après celle-ci. Faire attention autour du barbecue, porter des gants ou mitaines ignifugées pour barbecue.
- NE PAS utiliser sur le tournebroche des accessoires non fournis par le fabricant. Ceci risque d'entraîner des blessures. NE PAS utiliser cet appareil à d'autres fins que l'utilisation pour laquelle il est prévu.
- Ne jamais recouvrir le fond de votre barbecue avec du papier d'aluminium, du sable ou une substance quelconque qui absorbe la graisse.
- En cas de feu de graisse, tourner les brûleurs sur «  ARRÊT » et fermez le gaz en réglant le robinet de la bouteille de propane sur « CLOSED » (fermé). Laisser le couvercle fermé jusqu'à l'extinction du feu.
- Pour protéger contre les chocs électriques, NE PAS mettre le cordon, la fiche ni le moteur dans l'eau, ni les exposer à la pluie. Protéger les éléments électriques par rapport aux brûleurs, aux surfaces chaudes du barbecue et à la graisse.
- NE PAS laisser un enfant faire fonctionner le barbecue ou le tournebroche, et NE PAS laisser d'enfants jouer à proximité de celui-ci.
- Débrancher de la prise le moteur du tournebroche quand il n'est pas utilisé, et avant un nettoyage. Laisser refroidir avant d'ajouter ou d'enlever des pièces.
- Pendant la cuisson au tournebroche, mettre un récipient sous les aliments en cours de cuisson. Ce récipient recueillera les jus de cuisson et empêchera l'accumulation dans le barbecue de graisse qui pourrait, en quantité excessive, causer un feu. Faire attention en déplaçant un récipient contenant des huiles chaudes.
- Le moteur est prévu pour du courant 120 V ca, 50/60 Hz.
- Le tournebroche est destiné à une utilisation à l'extérieur uniquement, et uniquement avec ce barbecue.
- ⚠ ATTENTION : Si la flamme d'un brûleur s'éteint pendant son fonctionnement, immédiatement fermer le gaz en réglant le brûleur sur «  ARRÊT » et ouvrir le couvercle pour laisser le gaz se dissiper pendant environ 5 minutes, avant de le rallumer.**
- ⚠ AVERTISSEMENT : Tenir le cordon du moteur du tournebroche à l'écart de la surface chaude du barbecue.**

- ▲ **AVERTISSEMENT** : Le cordon d'alimentation doit être disposé de façon à ne pas pendre d'un comptoir ou d'une table ni toucher une surface chaude de l'appareil.
- ▲ **AVERTISSEMENT** : Brancher uniquement cet appareil de cuisson d'extérieur à gaz sur un circuit protégé par un disjoncteur différentiel (GFI).
- ▲ **AVERTISSEMENT** : Le moteur du tournebroche doit obligatoirement être mis à la terre conformément aux codes locaux ou, en l'absence de codes locaux, au *National Electric Code (Code électrique national)*, la norme *ANSI/NFPA 70* ou le *Code canadien de l'électricité et la norme CSA C22.1*.
- ▲ **AVERTISSEMENT** : Ne PAS faire fonctionner le tournebroche si le cordon ou la fiche sont abimés, si le tournebroche fonctionne mal ou s'il a été abimé de quelque manière que ce soit. Appeler notre service d'Assistance à la clientèle au 1.800.762.1142 pour tout remplacement.
- ▲ **AVERTISSEMENT** : Le cordon d'alimentation est muni d'une fiche à 3 broches avec fil de terre. Pour votre sécurité personnelle, ne pas enlever la broche de terre. Elle doit obligatoirement être branchée dans une prise à 3 broches adaptée avec prise de terre, mise à la terre conformément aux National Electrical Codes (réglementation nationale sur l'électricité) et aux codes et ordonnances locaux.
- ▲ **AVERTISSEMENT** : Si l'emploi d'une rallonge s'avère nécessaire, la rallonge doit être correctement mise à la terre afin de pouvoir être utiliser avec un appareil d'extérieur. Garder la fiche de rallonge électrique sèche, loin du sol et hors de portée des enfants.
- ▲ **AVERTISSEMENT** : Lorsque le tournebroche n'est pas utilisé, le retirer et le remiser à l'intérieur, dans un endroit sec.
- ▲ **AVERTISSEMENT** : POUR UTILISATION À L'EXTÉRIEUR UNIQUEMENT. NE PAS EXPOSER À LA PLUIE.
- ▲ **ATTENTION** : Risque d'électrocution. Garder la fiche de rallonge électrique sèche et loin du sol.

Fixer la viande

1. Fixer le moteur en suivant les « Instructions d'assemblage du tournebroche ».
2. Fixer le contrepoids du tournebroche et la poignée sur l'axe de la broche (voir illustration 10).
3. Insérez une griffe sur l'axe de la broche (voir illustration 11).
4. Centrez la viande sur l'axe puis poussez-la sur l'axe, insérez-la sur les griffes de la broche (voir illustration 12).
5. Fixez le deuxième jeu de griffes sur l'axe et insérez les griffes dans la viande. Serrez les griffe de la broche (voir illustration 13).
6. Insérez les griffes restantes sur l'axe de la broche et insérez les griffes dans les aliments. Rapprochez les griffes sur l'axe de la broche (voir illustration 16).
7. Mettez en marche le moteur du tournebroche afin de vérifier si la viande est correctement placée sur l'axe de la broche.
Remarque : le côté le plus lourd de la viande devrait tourner vers le bas, vers la cuve. Réglez le contrepoids si nécessaire pour assurer un meilleur équilibre. Si la viande ne tourne toujours pas correctement, retirez la viande et placez-la à nouveau sur l'axe de la broche jusqu'à obtenir un bon équilibre.
8. Allumez le barbecue en suivant les instructions d'allumage du brûleur arrière infrarouge.
Remarque : La grille peut être retirée si nécessaire.
9. Laissez le couvercle fermé pendant la cuisson.

Illustration 10

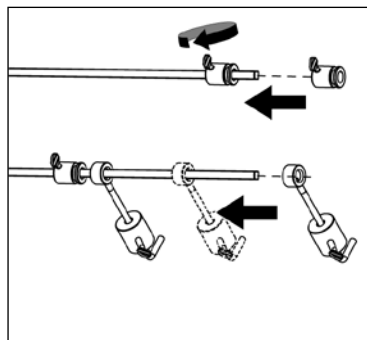


Illustration 11

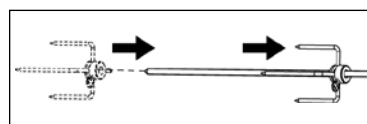


Illustration 12

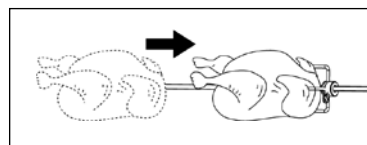


Illustration 13

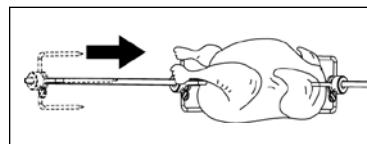


Illustration 14

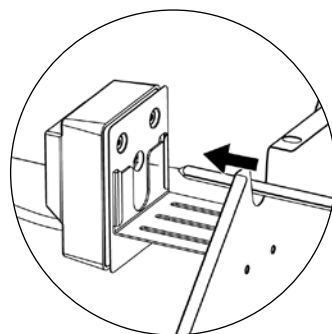
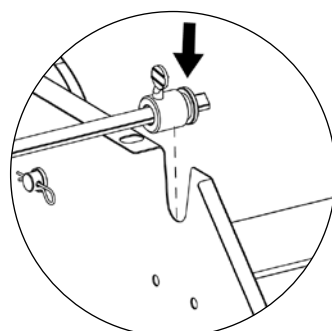


Illustration 15



Nettoyage et entretien

- ▲ **ATTENTION** :
 1. Tout nettoyage ou entretien doit être effectué lorsque le barbecue est froid et après avoir fermé et débranché l'alimentation en gaz.
 2. NE placer AUCUNE pièce du barbecue dans un four autonettoyant. La chaleur extrême endommagera le fini du barbecue.
 3. NE PAS agrandir les orifices des valves ou des brûleurs lors du nettoyage des valves ou des brûleurs.
- ▲ **ATTENTION** : Débrancher le moteur du tournebroche de la prise de courant lorsque le tournebroche n'est pas utilisé et avant tout nettoyage. Laisser l'appareil refroidir avant de mettre en place ou de retirer une pièce.

Avis

1. Ce barbecue doit être vérifié et nettoyé en entier régulièrement.
2. N'utilisez pas de produits de nettoyage abrasifs car ils risquent d'endommager le barbecue.
3. N'utilisez jamais de produit à nettoyer les fours sur une pièce quelle qu'elle soit du barbecue.

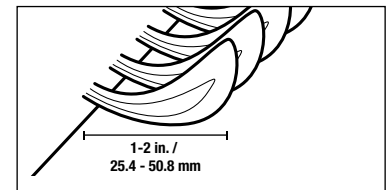
Avant chaque utilisation:

1. Assurez-vous que la zone autour du barbecue demeure dégagée et dépourvue de matières combustibles, d'essence et d'autres liquides et vapeurs inflammables.
2. Ne pas bloquer ni empêcher le débit d'air de combustion du propane ni de ventilation.
3. Assurez-vous que la (les) ouverture(s) de ventilation autour de la bouteille de propane demeurent toujours propres et dépourvues de débris.
4. Vérifiez les flammes du brûleur afin de vous assurer que le barbecue fonctionne correctement (illustration 8).
5. Reportez-vous aux paragraphes ci-dessous pour les instructions de nettoyage.
6. Vérifiez et nettoyez les tubes venturi et du brûleur afin de vous assurer qu'ils ne sont pas bouchés par des insectes et leurs nids. Si la tubulure du brûleur est bouchée, ceci risque de provoquer un feu sous le barbecue.

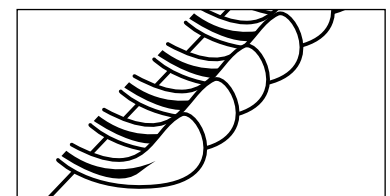
Illustration 16

État de la flamme du brûleur

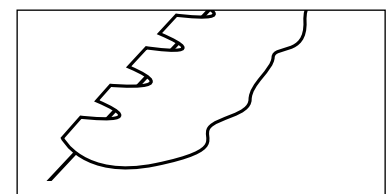
Reportez-vous aux illustrations suivantes afin de savoir si vos brûleurs doivent être nettoyés.



État normal: Flammes bleues claires avec crêtes jaunes entre 2,5 et 5 cm de hauteur.



Le brûleur doit être nettoyé: Brûleur bruyant avec flammes bleues.



Le brûleur doit être remplacé: Flammes jaunes ondulantes.

Nettoyage des surfaces du barbecue

1. Essayez les surfaces du barbecue avec un liquide à vaisselle doux ou du bicarbonate de soude mélangé avec de l'eau.
2. Pour les tâches coriaces, utilisez un dégraissant au citron et une brosse de nettoyage en nylon.
3. Rincez à l'eau.
4. Laissez le barbecue sécher à l'air libre.

Nettoyage des brûleurs principaux

1. Fermez le gaz en réglant le robinet de la bouteille de propane sur « CLOSED » (fermé).
2. Tournez tous les boutons de commande dans le sens des aiguilles d'une montre afin de les régler sur « ARRÊT ».
Remarque : Vous entendrez un son étouffé, ceci est normal, il s'agit du reste du gaz venant de se consumer.
3. Débranchez la bouteille de propane en suivant les instructions « Débrancher la bouteille de propane ».
4. Retirez les grilles de cuisson et les diffuseurs de chaleur.
5. Retirez les brûleurs en retirant les dispositifs de fixation retenant le brûleur à la partie inférieure du barbecue.
6. Soulevez et éloignez les brûleurs de l'orifice de la valve de gaz.
7. Déconnectez le fil de l'électrode d'allumage.
8. Nettoyez le venturi de chaque brûleur avec un petit goupillon ou de l'air comprimé.
9. Nettoyez les restes de nourriture et la saleté de la surface du brûleur.
10. Nettoyez les orifices bouchés avec un fil métallique (un trombone ouvert, par exemple).
11. Vérifiez les brûleurs à la recherche de détériorations (fissures ou trous). En cas de détériorations, remplacez le brûleur endommagé par un brûleur neuf du même fabricant.
12. Réinstallez les brûleurs, vérifiez que les orifices de la valve de gaz sont correctement positionnés à l'intérieur du venturi de chaque brûleur. Vérifiez également la position de l'électrode d'allumage.
13. Remettez en place les diffuseurs de chaleur et les grilles de cuisson.
14. Branchez la bouteille de propane en suivant les instructions « Brancher la bouteille de propane ».
15. Reportez-vous au chapitre « Détecter une fuite ».

Nettoyage et entretien (suite)

Nettoyage du brûleur latéral

1. Fermez le gaz en réglant le robinet de la bouteille de propane sur « CLOSED » (fermé).
2. Tournez tous les boutons de commande dans le sens des aiguilles d'une montre afin de les régler sur « 🔥 ARRÊT ».

Remarque : Vous entendrez un son étouffé, ceci est normal, il s'agit du reste du gaz venant de se consumer.
3. Débranchez la bouteille de propane en suivant les instructions « Débrancher la bouteille de propane ».
4. Retirez les grilles de cuisson et les diffuseurs de chaleur.
5. Retirez le brûleur en retirant les vis retenant le brûleur à la tablette latérale.
6. Soulevez et éloignez les brûleurs de l'orifice de la valve de gaz.
7. Nettoyez le venturi de chaque brûleur avec un petit goupillon ou de l'air comprimé.
8. Nettoyez les restes de nourriture et la saleté de la surface du brûleur.
9. Nettoyez les orifices bouchés avec un fil métallique (un trombone ouvert, par exemple).
10. Vérifiez les brûleurs à la recherche de détériorations (fissures ou trous). En cas de détériorations, remplacez le brûleur endommagé par un brûleur neuf du même fabricant.
11. Réinstallez le brûleur, vérifiez que les orifices de la valve de gaz sont correctement positionnés à l'intérieur du venturi de chaque brûleur. Vérifiez également la position de l'électrode d'allumage.
12. Remettez en place la (les) grille(s) de cuisson.
13. Branchez la bouteille de propane en suivant les instructions « Brancher la bouteille de propane ».
14. Effectuez le test d'étanchéité afin de vous assurer que le raccord ne présente pas de fuite. Reportez-vous au chapitre « Détecter une fuite ».

Avant le remisage

1. Fermez le gaz en réglant le robinet de la bouteille de propane sur « CLOSED » (fermé).
2. Tournez tous les boutons de commande dans le sens des aiguilles d'une montre afin de les régler sur « 🔥 ARRÊT ».

Remarque : Vous entendrez un son étouffé, ceci est normal, il s'agit du reste du gaz venant de se consumer.
3. Débranchez la bouteille de propane en suivant les instructions « Débrancher la bouteille de propane ».
4. Nettoyez toutes les surfaces du barbecue.
5. Pour aider à lutter contre la rouille, appliquez une légère couche d'huile de cuisson sur les brûleurs.
6. Si vous comptez remiser le barbecue à l'intérieur, débranchez la bouteille de propane et reportez-vous au chapitre « Débrancher la bouteille de propane ».
7. Placez le capuchon protecteur sur la bouteille de propane et entreposez la bouteille à l'extérieur dans un endroit largement aéré et à l'abri des rayons directs du soleil.
8. Si vous remisez le barbecue à l'extérieur, couvrez le barbecue avec une housse de barbecue pour la protéger des intempéries.

Enregistrement de l'appareil

Pour bénéficier plus rapidement du service offert par la garantie, veuillez enregistrer cet article immédiatement sur le site internet BlueRhino.com/Warranty ou appelez le 1.800.762.1142.

Pièces de rechange

Vous trouverez toutes les pièces de rechange nécessaires sur le site web parts.bluerhino.com ou appelez le 1.800.762.1142.

Garantie limitée

La société Blue Rhino Global Sourcing, Inc. (« Blue Rhino ») garantit cet article au premier acheteur au détail et à aucune autre personne, contre tout vice de matériau et de fabrication pendant un (1) an à partir de la date d'achat si cet article est monté et utilisé conformément aux instructions fournies. Blue Rhino vous demandera sans doute une preuve raisonnable d'achat datée, veuillez donc conserver votre facture ou votre reçu. Cette garantie limitée se limitera à la réparation ou au remplacement de pièces ayant été déterminées défectueuses par Blue Rhino lors de conditions d'utilisation et d'entretien normales. Avant de renvoyer une pièce, contactez le service à la clientèle de Blue Rhino. Si Blue Rhino confirme le défaut de fabrication et approuve la réclamation, ce dernier remplacera gratuitement les dites pièces. Si vous devez renvoyer des pièces défectueuses, les pièces devront être expédiées port-payé. Blue Rhino s'engage à renvoyer les pièces à l'acheteur port-payé.

Cette garantie limitée ne couvre pas les pannes et dysfonctionnements survenant suite à tout accident, mauvais usage, entretien incorrect de cet article, ou toute modification, mauvaise installation ou négligence comme il a été établi dans ce manuel. De plus, cette garantie limitée ne couvre pas les dommages au fini, à savoir les rayures, les bosses, les traces de décoloration, de rouille ou les dommages résultant des intempéries après achat de l'article.

Cette garantie remplace toute autre garantie expresse et il n'existe aucune autre garantie expresse à l'exception de la couverture indiquée ici. Blue Rhino désavoue toute garantie couvrant des produits ayant été achetés auprès de revendeurs autres que les revendeurs et distributeurs agréés y compris toute garantie de commerciabilité et d'adaptation à un usage particulier. BLUE RHINO DÉCLINE ÉGALEMENT TOUTE GARANTIE IMPLICITE Y COMPRIS TOUTE GARANTIE DE COMMERCIALITÉ ET D'ADAPTATION À UN USAGE PARTICULIER. BLUE RHINO NE POURRA ÊTRE TENU RESPONSABLE PAR L'ACHETEUR OU UN TIERS POUR TOUS DÉGÂTS ET DOMMAGES PARTICULIERS, INDIRECTS, PUNITIFS OU CONSÉCUTIFS. De plus, Blue Rhino désavoue toute garantie expresse ou implicite et décline toute responsabilité en cas de défaut de fabrication causés par un tiers.

Cette garantie limitée octroie des droits spécifiques à l'acheteur reconnus par la loi et il est possible que ce dernier en possède d'autres selon sa localité. Certaines juridictions ne permettent pas l'exclusion ni la limitation de dommages consécutifs ou accessoires ni la limitation en temps d'une garantie et ces limitations peuvent ne pas être applicables à tous.

Blue Rhino ne permet en aucun cas à une personne ou à une société de s'attribuer les responsabilités et les obligations liées à la vente, l'installation, l'utilisation, la dépose ou le remplacement de cet article, et aucune de ces représentations n'engage la responsabilité de Blue Rhino.

Blue Rhino Global Sourcing, Inc.
Winston-Salem, North Carolina 27105, États-Unis
(800)-762-1142

Guide de dépannage (suite)

Problème	Cause possible	Prévention/mesure correctrice
Le brûleur ne s'allume pas en utilisant l'allumeur électrique.	Le robinet de la bouteille de propane est fermé.	Assurez-vous que le régulateur est solidement fixé à la bouteille de propane en suivant les instructions « Installer la bouteille de propane » puis ouvrez le gaz en tournant le robinet de la bouteille de propane sur « OPEN » (ouvert).
	La bouteille de propane est vide ou presque vide.	Échangez, remplissez ou remplacez la bouteille de propane.
	Il y a une fuite de propane.	1. Fermez le gaz en tournant le robinet de la bouteille de propane sur « CLOSED » (fermé). 2. Attendez 5 minutes pour que le gaz se dissipe. 3. Suivez les instructions du chapitre « Détecter une fuite » du manuel.
	Les fils ou l'électrode sont recouverts de résidus de cuisson.	Nettoyez le fil conducteur et/ou l'électrode avec de l'alcool isopropylique.
	L'électrode et les brûleurs sont mouillés.	Essuyez avec un chiffon sec.
	L'électrode est fendue ou brisée, des étincelles apparaissent au niveau de la fente.	Il sera peut-être nécessaire de commander une (ou plusieurs) pièce(s) de rechange. Contactez le service à la clientèle au 1.800.762.1142
	Le fil est desserré ou déconnecté.	Il sera peut-être nécessaire de reconnecter le fil ou de commander une (ou plusieurs) pièce(s) de rechange. Contactez le service à la clientèle au 1.800.762.1142
	Court-circuit (étincelles) du fil conducteur entre l'allumeur et l'électrode.	Il sera peut-être nécessaire de commander une (ou plusieurs) pièce(s) de rechange. Contactez le service à la clientèle au 1.800.762.1142
Allumeur défectueux.	Il sera peut-être nécessaire de commander une (ou plusieurs) pièce(s) de rechange. Contactez le service à la clientèle au 1.800.762.1142	
Le brûleur ne s'allume pas avec une allumette.	Absence de gaz.	Vérifiez si la bouteille de propane est vide. A. Si elle est vide, échangez-la, remplissez-la ou remplacez-la. B. Si la bouteille n'est pas vide, reportez-vous aux instructions "Baisse soudaine du débit du propane ou hauteur réduite de flamme." (voir ci-dessous).
	La bouteille de propane est vide ou presque vide.	Échangez, remplissez ou remplacez la bouteille de propane.
	Il y a une fuite de propane ou de gaz naturel.	1. Tournez le robinet de la bouteille de propane sur « CLOSED » (fermé). 2. Attendez 5 minutes pour que le gaz se dissipe. 3. Suivez les instructions du chapitre « Détecter une fuite » du manuel.
	L'écrou de couplage et le régulateur ne sont pas complètement raccordés.	Tournez l'écrou de couplage viron un demi ou trois quart de tour de plus jusqu'à l'arrêt complet. Serrez manuellement sans utiliser d'outils.
	Obstruction du débit de gaz.	1. Nettoyez les tubes des brûleurs. 2. Assurez-vous que le tuyau n'est pas plié ou déformé.
	Le brûleur n'est plus raccordé à la valve.	Raccordez à nouveau le brûleur et la valve.
	Araignées ou insectes dans le venturi.	Nettoyez le venturi et le tube du brûleur.
	Les orifices du brûleur sont bouchés ou bloqués.	Nettoyez les orifices du brûleur.
Baisse soudaine du débit de propane ou hauteur réduite de flamme.	Il n'y a plus de gaz.	Échangez, remplissez ou remplacez la bouteille de propane.
	La soupape de limitation de débit s'est peut-être déclenchée.	1. Tournez les boutons de commande sur « ARRÊT ». 2. Attendez 30 secondes puis allumez le barbecue. 3. Si les flammes demeurent trop basses, réarmez le dispositif de sécurité de limitation de débit: a. Tournez le(s) bouton(s) de commande sur « ARRÊT ». b. Tournez le robinet de la bouteille de propane sur « CLOSED » (fermé). c. Débranchez le régulateur. d. Tournez les boutons de commande sur (max). e. Attendez 1 minute. f. Tournez les boutons de commande sur « ARRÊT ». g. Rebranchez le régulateur et assurez-vous que le raccord ne présente pas de fuite en veillant à ne pas complètement ouvrir le robinet. h. Allumez le barbecue en suivant les instructions d'allumage « Pour allumer ».
Flamme irrégulière, flamme ne se répartissant pas sur toute la longueur du brûleur.	Les orifices du brûleur sont bouchés ou bloqués.	Nettoyez les orifices du brûleur.
La flamme est jaune ou orange.	Le nouveau brûleur peut contenir des huiles résiduelles de fabrication.	Laissez le barbecue fonctionner pendant encore 15 minutes sur (max) avec le couvercle fermé.
	Toiles d'araignées ou nid d'insectes dans le venturi.	Nettoyez le venturi.
	Résidus de nourriture, de graisse, etc.	Nettoyez le brûleur.
	Mauvais alignement de la valve sur le venturi du brûleur.	Vérifiez que le venturi du brûleur est correctement raccordé à la valve.
La flamme s'éteint.	Vent fort ou bourrasques.	Ne pas utiliser le barbecue les jours de vent fort.
	La bouteille de propane est presque vide.	Échangez, remplissez ou remplacez la bouteille de propane.
	La soupape de limitation de débit s'est peut-être déclenchée.	Reportez-vous aux instructions du paragraphe « Baisse soudaine du débit du propane ou hauteur réduite de flamme » (voir ci-dessus).
Flambée soudaine.	Accumulation de graisse.	Retirez et nettoyez toutes les pièces du barbecue en suivant les instructions « Nettoyage et entretien » du manuel d'utilisation.
	La viande est trop grasse.	Éliminez la graisse de la viande avant de la griller.
	La température de cuisson est trop élevée.	Réglez à la baisse la température.
Feu de graisse persistant.	Graisse piégée par accumulation de nourriture autour des brûleurs.	1. Tournez les boutons de commande sur « ARRÊT ». 2. Fermez le gaz en réglant le robinet de la bouteille de propane sur « CLOSED » (fermé). 3. Laissez le couvercle fermé et laissez le feu se consumer. 4. Une fois que le barbecue a refroidi, retirez et nettoyez toutes les pièces du barbecue en suivant les instructions « Nettoyage et entretien » du manuel d'utilisation.
Retour de flammes (feu dans le ou les tubes de brûleurs).	Le brûleur et/ou ses tubes sont bouchés.	Nettoyez le brûleur et/ou les tubes du brûleur.
L'intérieur du couvercle s'écaille comme de la peinture.	L'accumulation de graisse cuite s'est transformée en carbone et s'écaille.	Nettoyez rigoureusement le couvercle en suivant les instructions « Nettoyage et entretien » du manuel.



