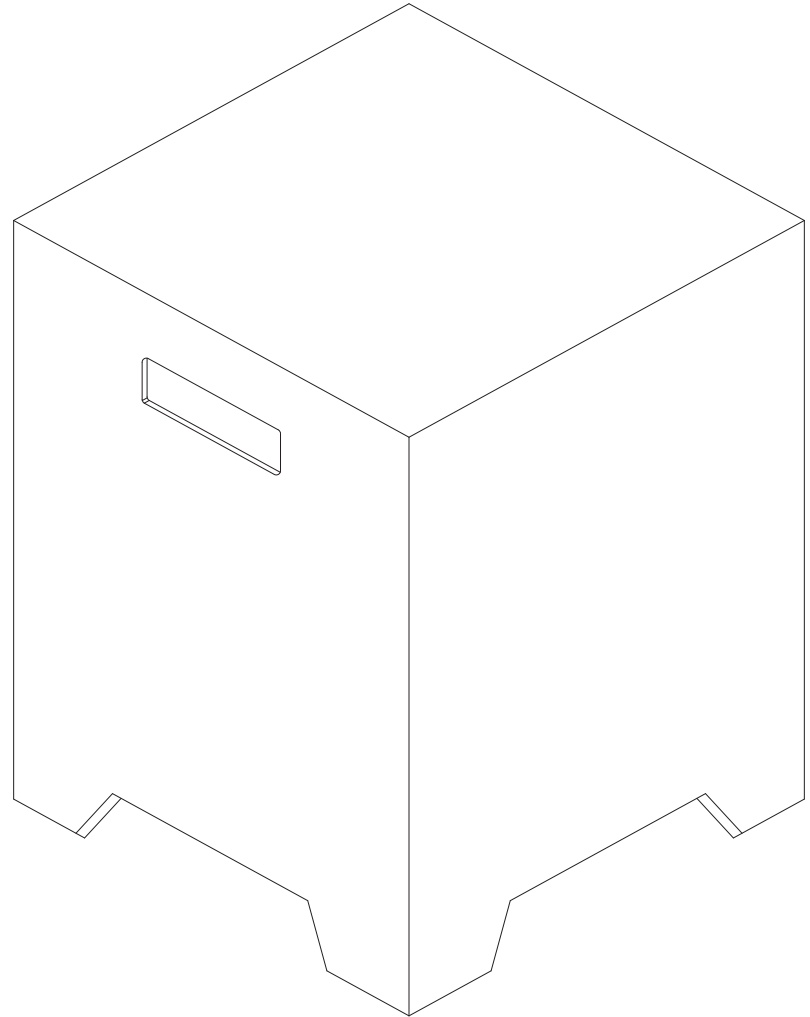


Smith & Hawken™ Propane Tank Cover

dpci # 009-07-0775
stock # ZAZ15200T



>> assembly instructions

THIS INSTRUCTION BOOKLET CONTAINS IMPORTANT SAFETY INFORMATION. PLEASE READ AND KEEP FOR FUTURE REFERENCE.

If you are assembling this unit for someone else, give this manual to him or her to read and save for future reference.



Congratulations on your latest Target purchase.

Now what? Don't start sweating over this box of parts. This will be easy. We did the hard work for you. All you need to do is follow our simple instructions and you'll be on your way to transforming your backyard in no time. Good luck—though we're confident you won't need it.

table of contents

important safeguards	3	product registration	9
before you begin	5	limited warranty	10
parts	6		
assembly instructions	7		
cleaning and care	8		
before each use	8		
before storing	9		

WARNING

FOR YOUR SAFETY:

Do NOT use this tank cover without reading the entire outdoor fireplace appliance Owner's Manual.

important safeguards

- ▲ **DANGER:** Failure to follow the dangers, warnings and cautions in this manual may result in serious bodily injury or death, or in a fire or an explosion causing damage to property.
- ▲ **WARNINGS:**
- ▲ This propane tank cover is safety certified for use in the United States and/or Canada only. Do NOT modify for use in any other location. Modification will result in a safety hazard and will void your warranty.
- ▲ This propane tank cover, from the factory, is for use with an LP gas tank only.
- ▲ When using an LP gas tank, be sure to follow these dangers, warnings and cautions and others as provided by the tank manufacturer.
- ▲ Do NOT operate LP gas tank if a gas leak is present. Gas leaks may cause a fire or explosion.
- ▲ Do NOT store or use gasoline or other flammable liquids or vapors within 25 feet (7.62 m) of this propane tank cover.
- ▲ Do NOT use in an explosive atmosphere. Keep outdoor fireplace area clear and free from combustible materials, gasoline and other flammable vapors and liquids.
- ▲ Always use in accordance with all applicable local, state and national codes. Contact your local fire department for details on outdoor burning.
- ▲ It is essential to keep the tank cover's compartment and circulating air passages clean and free from debris.
- ▲ Always use this propane tank cover on a hard, level, non-combustible surface such as concrete, rock or stone. An asphalt or blacktop surface may not be acceptable for this purpose.
- ▲ Young children should be carefully supervised when they are in the area of the propane tank cover.
- ▲ Do NOT hang or place clothing or other flammable material on or near this propane tank cover.
- ▲ Do NOT attempt to move the tank or this propane tank cover while outdoor fireplace is in use.
- ▲ Use only the regulator and hose assembly provided with the outdoor fireplace. Use only the replacement regulator and hose assembly specified by the manufacturer.
- ▲ Use only Blue Rhino Global Sourcing, Inc. factory-authorized parts. The use of any part that is not factory-authorized can be dangerous and will void your warranty.
- ▲ Do NOT operate this propane tank cover without reading "Operating Instructions" in this manual.

important safeguards

- ▲ Storage of this propane tank cover indoors is permissible only if the tank is disconnected and properly stored outdoors.
- ▲ If the propane tank cover is not in use, the gas must be turned off at the supply tank.
- ▲ Do NOT sit or stand on this propane tank cover.
- ▲ Do NOT store any combustible materials in the base enclosure.
- ▲ Do NOT force parts together as this can result in personal injury or damage to the product.
- ▲ Death, serious injury or damage to property may occur if the above is not followed exactly.

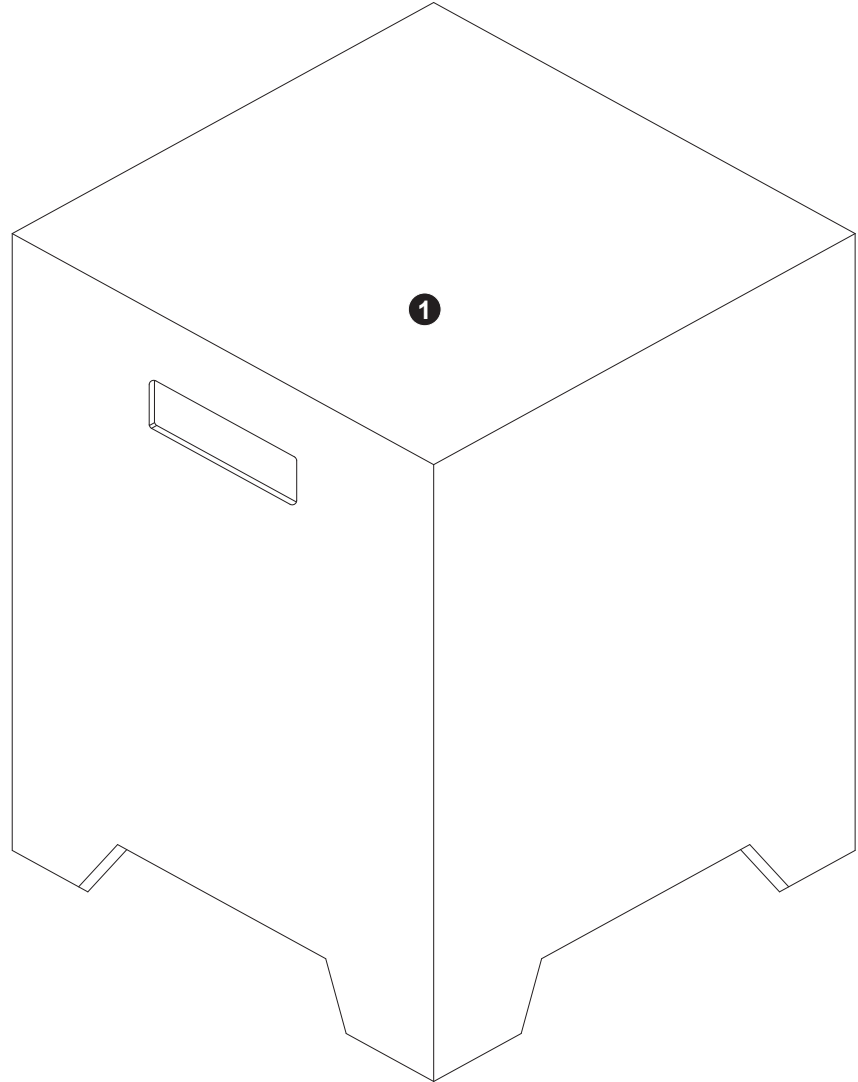
before you begin

1. If you need assistance, call 800.762.1142. Please have your owner's manual and DPCI number available for reference.
2. Follow all instructions in the outdoor fireplace appliance owner's manual.

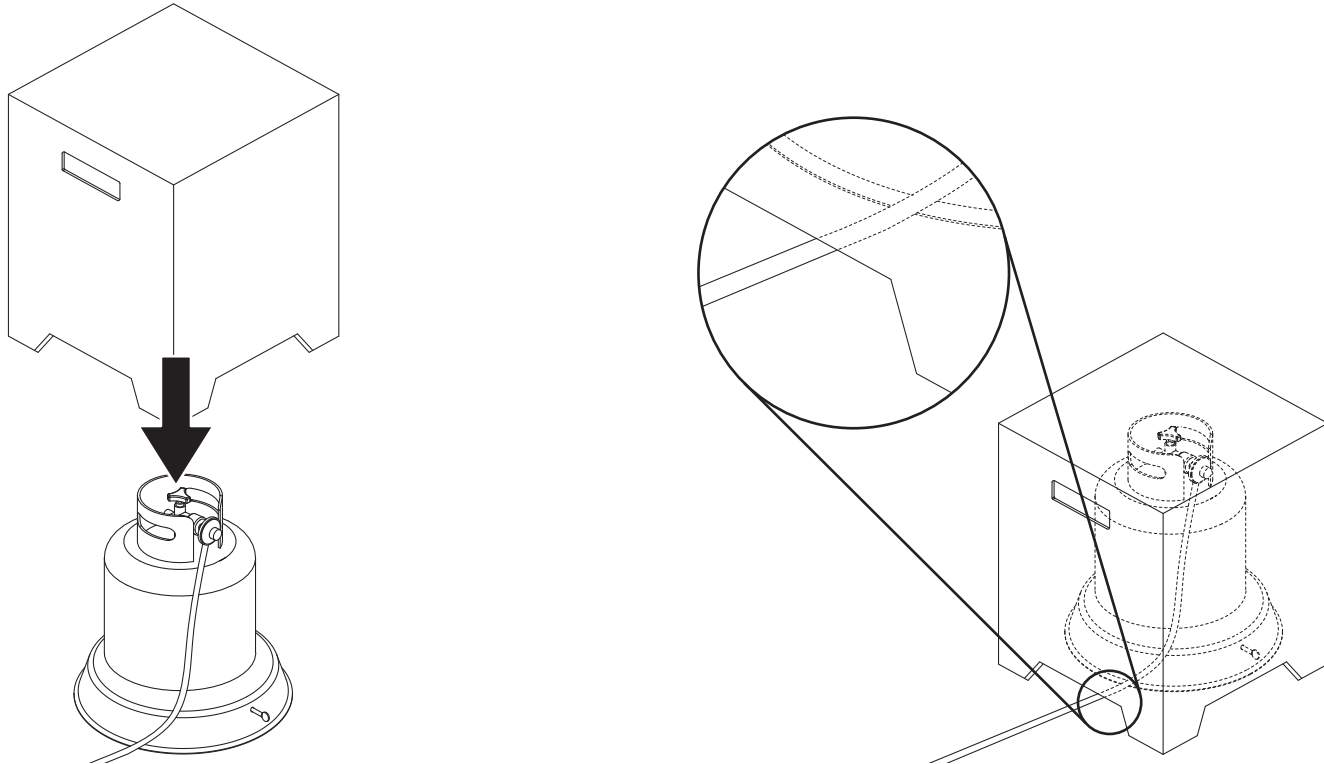
Typical assembly is approximately 5 minutes.

parts

Item	Description	Qty	Re-order Number
1	Cover	1	00-00-000



step 1



cleaning and care

⚠ CAUTION:

1. All cleaning and maintenance should be done with the fuel supply disconnected.
 2. Extreme heat will damage the finish.
-

Notices

1. This propane tank cover should be thoroughly cleaned and inspected on a regular basis.
 2. Abrasive cleaners will damage this product.
 3. Never use oven cleaner to clean any part of this tank cover.
-

Before Each Use:

1. Keep the tank cover area clear and free from any combustible materials, gasoline, and other flammable vapors and liquids.
 2. Do NOT obstruct the flow of the combustion of LP gas and the ventilation of air.
 3. Keep the ventilation opening(s) of the LP gas tank area free and clear from debris.
 4. See below for proper cleaning instructions.
 5. Check for any signs of damage.
 6. If damage is detected, do NOT use until repairs are completed.
-

Cleaning Surfaces

1. Wipe surfaces clean with mild dishwashing detergent or baking soda mixed with water.
 2. For stubborn stains, use a citrus-based cleaner and a nylon scrubbing brush.
 3. Rinse clean with water.
 4. Allow to air dry.
-

cleaning and care

Before Storing

1. Disconnect LP gas tank per “Disconnecting LP Gas Tank” section of the outdoor fireplace owner’s manual.
2. Clean all surfaces.
3. Store in a cool and dry location away from children and pets.

product registration

For faster warranty service, register your product immediately at BlueRhino.com/warranty or by calling 1.800.762.1142.

limited warranty

Blue Rhino Global Sourcing, Inc. (“Blue Rhino”) warrants to the original retail purchaser of this product, and to no other person, that if this product is assembled, maintained, and operated in accordance with the printed instructions accompanying it, then for a period of one (1) year from the date of purchase, all parts in such product shall be free from defects in material and workmanship. Blue Rhino may require reasonable proof of your date of purchase. Therefore, you should retain your sales slip or invoice. This Limited Warranty shall be limited to the repair or replacement of parts, which prove defective under normal use and service and which Blue Rhino shall determine in its reasonable discretion upon examination to be defective. Before returning any parts, you should contact Blue Rhino’s Customer Care Department using the contact information listed below. If Blue Rhino confirms, after examination, a defect covered by this Limited Warranty in any returned part, and if Blue Rhino approves the claim, Blue Rhino will replace such defective part without charge. If you return defective parts, transportation charges must be prepaid by you. Blue Rhino will return replacement parts to the original retail purchaser, freight or postage prepaid.

This Limited Warranty does not cover any failures or operating difficulties due to accident, abuse, misuse, alteration, misapplication, improper installation or improper maintenance or service by you or any third party, or failure to perform normal and routine maintenance on the product as set out in this owner’s manual. In addition, the Limited Warranty does not cover damage to the finish, such as scratches, dents, discoloration, rust or other weather damage, after purchase.

This Limited Warranty is in lieu of all other express warranties. Blue Rhino disclaims all warranties for products that are purchased from sellers other than authorized retailers or distributors, including the warranty of merchantability or the warranty of fitness for a particular purpose. Blue Rhino ALSO DISCLAIMS ANY AND ALL IMPLIED WARRANTIES, INCLUDING WITHOUT LIMITATION THE IMPLIED WARRANTIES OF MERCHANTABILITY AND FITNESS FOR A PARTICULAR PURPOSE. Blue Rhino SHALL HAVE NO LIABILITY TO PURCHASER OR ANY THIRD PARTY FOR ANY SPECIAL, INDIRECT, PUNITIVE, INCIDENTAL, OR CONSEQUENTIAL DAMAGES. Blue Rhino further disclaims any implied or express warranty of, and assumes no responsibility for, defects in workmanship caused by third parties.

This Limited Warranty gives the purchaser specific legal rights; a purchaser may have other rights depending upon where he or she lives. Some jurisdictions do not allow the exclusion or limitation of special, incidental or consequential damages, or limitations on how long a warranty lasts, so the above exclusion and limitations may not apply to everyone.

Blue Rhino does not authorize any person or company to assume for it any other obligation or liability in connection with the sale, installation, use, removal, return, or replacement of its equipment, and no such representations are binding on Blue Rhino.

Blue Rhino Global Sourcing, Inc.
Winston-Salem, North Carolina 27105 USA
1.800.762.1142

QUESTIONS? Just call 800.762.1142 for parts and service. For faster service, have the DPCI number ready when when calling.

