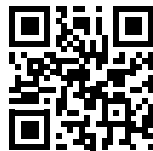




# CONVERSION INSTRUCTIONS

Conversion kit is compatible for select UniFlame® and Backyard Grill™ brand grills only.

## Natural Gas Conversion Kit for



For a complete list scan the code to the left or visit [bluerhino.com/VFK1000W-C](http://bluerhino.com/VFK1000W-C)



GBC1255W-C



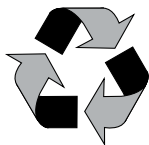
GBC1355W-C

**This Natural Gas Conversion Kit can be used ONLY with the approved grill(s).**

### Table of Contents

|   |        |
|---|--------|
| Important Safeguards . . . . .          | Page 2 |
| Exploded View & Hardware . . . . .      | 3      |
| Conversion Instructions . . . . .       | 3      |
| Instalilling Natural Gas Line . . . . . | 8      |
| Connect Natural Gas line . . . . .      | 8      |
| Disconnect Natural Gas Line . . . . .   | 8      |
| Operating Instructions . . . . .        | 8      |
| Checking for Leaks . . . . .            | 8      |
| Operating Main Burners . . . . .        | 8      |
| Operating Side Burner . . . . .         | 8      |
| Cleaning and Care . . . . .             | 8      |
| Limited Warranty . . . . .              | 8      |

The use and installation of this product must conform to local codes. In absence of local codes, use the *National Fuel Gas Code, ANSI Z223.1/NFPA 54, Natural Gas and Propane Installation Code, CSA B149.1, or Propane Storage and Handling Code, B149.2.*



Made from 75% Bagasse  
(Environmentally Friendly Sugar  
Cane Pulp By-product)

**Installation should be done by a qualified service person.**

Use only Blue Rhino Global Sourcing, Inc. factory authorized parts. The use of any other part that is not factory authorized can be dangerous and will void your warranty.

**WARNING**  
FOR YOUR SAFETY:  
**For Outdoor Use Only**  
(outside any enclosure)

**WARNING**  
FOR YOUR SAFETY:

1. Improper installation, adjustment, alteration, service or maintenance can cause injury or property damage.
2. Read the installation, operation and maintenance instructions thoroughly before installing or servicing this equipment.
3. Failure to follow these instructions could result in fire or explosion, which could cause property damage, personal injury or death.
4. This instruction manual contains important information necessary for the proper assembly and safe use of the appliance.
5. Read and follow all warnings and instructions before assembling and using the appliance.
6. Follow all warnings and instructions when using the appliance.
7. Keep this manual for future reference.

**DANGER**

If you smell gas -

1. Shut off gas to appliance.
2. Extinguish any open flame.
3. Open lid.
4. If odor continues, keep away from the appliance and immediately call your gas supplier or your fire department.

**WARNING**  
FOR YOUR SAFETY:

1. Do not store or use gasoline or other flammable liquids or vapors in the vicinity of this or any other appliance.
2. An LP cylinder not connected for use shall not be stored in the vicinity of this or any other appliance.

**DANGER**  
Never operate this appliance unattended.

Save these instructions for future reference. If you are assembling this unit for someone else, give this manual to him or her to read and save for future reference.

Manufactured in China for: Blue Rhino Global Sourcing, Inc.  
Winston-Salem, NC USA • 1.800.762.1142 • [www.bluerhino.com](http://www.bluerhino.com)

© Blue Rhino Global Sourcing, Inc. All Rights Reserved  
UniFlame® is a Registered Trademark of Blue Rhino Global Sourcing, Inc. All Rights Reserved. VFK1000W-C\_GBC1355-OM-101 EF

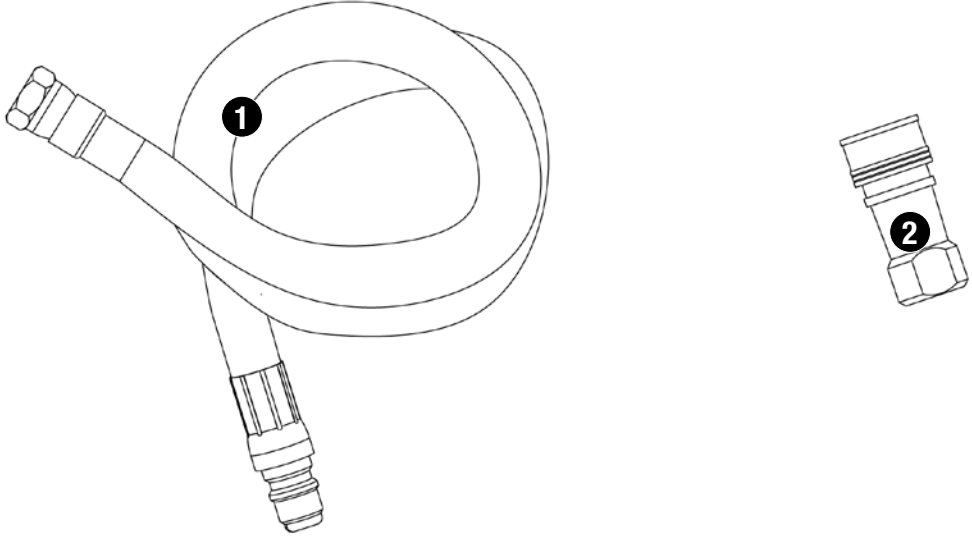


## Important Safeguards

- ▲ **DANGER:** Failure to follow the dangers, warning and cautions in this manual may result in serious bodily injury or death, or in a fire or an explosion causing damage to property.
- ▲ **WARNING:**
- ▲ Installation and repairs should be done by a qualified service person.
- ▲ This grill is for outdoor use only, and shall not be used in a building, garage or any other enclosed area.
- ▲ Natural Gas (NG) Characteristics:
  - a. NG is flammable and hazardous if handled improperly. Become aware of the characteristics before using any NG product.
  - b. NG is explosive under pressure, heavier than air and settles and pools in low areas.
  - c. NG in its natural state has no odor. For your safety, an odorant is added that smells like rotten cabbage.
  - d. Contact with NG can cause freeze burns to skin.
- ▲ Do not block holes in sides or back of grill.
- ▲ A fire causing, serious injury or damage to property may occur if the above is not followed exactly.
- ▲ The use of alcohol, prescription or non-prescription drugs may impair the consumer's ability to properly assemble or safely operate the appliance.
- ▲ Never use charcoal, lighter fluid, lava rocks, gasoline, kerosene or alcohol with this product.
- ▲ Your grill has been checked at all factory connections for leaks. Recheck all connections as described in the "Operating Instructions" section of the manual, as movement in shipping can loosen connections.
- ▲ Check for leaks even if your unit was assembled for you by someone else.
- ▲ Do not operate if gas leak is present. Gas leaks may cause a fire or explosion.
- ▲ You must follow all leak-checking procedures before operating. To prevent fire or explosion hazard when testing for a leak:
  - a. Always perform leak test before lighting the grill and each time the tank is connected for use.
  - b. No smoking. Do not use or permit sources of ignition in the area while conducting a leak test.
  - c. Conduct the leak test outdoors in a well-ventilated area.
  - d. Do not use matches, lighters, or a flame to check for leaks.
  - e. Do not use grill until any and all leaks are corrected.
- ▲ If you are unable to stop a leak, turn off the main valve on the NG supply line. Call a gas appliance serviceman or your local NG supplier.
- ▲ The appliance and its individual shutoff valve must be disconnected from the gas supply piping system during any pressure testing of that system at a pressure in excess of 1/2 psig (3.5 kpa).
- ▲ The appliance must be isolated from the gas supply piping system by closing its individual manual shutoff valve during any pressure testing of the gas supply piping system at test pressures equal to or less than 1/2 psig (3.5 kpa).
- ▲ Do not store or use gasoline or other flammable liquids or vapors within 25 feet (7.62 m) of this appliance.
- ▲ Do not use in an explosive atmosphere. Keep grill area clear and free from combustible materials, gasoline and other flammable vapors and liquids.
- ▲ Minimum clearance from sides and back of unit to combustible construction is 36 inches (91.4 cm). Do not use this appliance under any type of overhang or roof.
- ▲ It is essential to keep the grill's valve compartment, burners and circulating air passages clean.
- ▲ Inspect grill before each use.
- ▲ Do not alter grill in any manner. Any alteration will void your warranty.
- ▲ Do not use the grill unless it is COMPLETELY assembled and all parts are securely fastened and tightened.
- ▲ Do not build this model of grill in any built-in or slide in construction. Ignoring this warning could cause a fire or an explosion that can damage property and cause serious bodily injury or death.
- ▲ This grill should be thoroughly cleaned and inspected on a regular basis.
- ▲ Clean and inspect the hose before each use of the appliance. If there is evidence of abrasion, wear, cuts or leaks, the hose must be replaced prior to the appliance being put into operation.
- ▲ Use only the regulator and hose assembly provided. The replacement regulator and hose assembly shall be that specified by the manufacturer.
- ▲ Use only Blue Rhino Global Sourcing, Inc. factory authorized parts. The use of any part that is not factory authorized can be dangerous. Doing so will also void your warranty.
- ▲ Do not operate this appliance without reading "Operating Instructions" in this manual.
- ▲ This grill is designed with to operate at an inlet pressure of: LP gas: 11 inches water column; NG 7 inches water column.
- ▲ Do not install or use in or on boats or recreational vehicles.
- ▲ When cooking, fire extinguishing materials shall be readily accessible. In the event of an oil/grease fire, do not attempt to extinguish with water. Use type BC dry chemical fire extinguisher or smother with dirt, sand or baking soda.
- ▲ Do not use grill in high winds.
- ▲ Never lean over the grill when lighting.
- ▲ Do not leave a lit grill unattended, especially keep children and pets away from grill at all times.
- ▲ Do not leave grill unattended while preheating or burning off food residue on high. If grill has not been cleaned, a grease fire can occur that may damage the product.
- ▲ Do not place empty cooking vessels on the appliance while in operation.
- ▲ Use caution when placing anything on the grill while the appliance is in operation.
- ▲ Do not attempt to move grill when in use. Allow the grill to cool before moving or storing.
- ▲ Always open grill lid carefully and slowly as heat and steam trapped within grill can severely burn you.
- ▲ Do not attempt to disconnect the gas regulator from the tank or any gas fitting while the grill is in use.
- ▲ Always place your grill on a hard, non-combustible, level surface. An asphalt or blacktop surface may not be acceptable for this purpose.
- ▲ Move gas hoses as far away as possible from hot surfaces and dripping hot grease.
- ▲ Keep all electrical cords away from a hot grill.
- ▲ After a period of storage and/or nonuse, check for leaks, burner obstructions and inspect for any abrasion, wear or cuts to the hose.
- ▲ Failure to open lid while igniting the grill's burners, or not waiting 5 minutes to allow the gas to clear if the grill does not light, may result in an explosive flame-up.
- ▲ Never operate grill without heat plates installed.
- ▲ Always use a meat thermometer to ensure food is cooked to a safe temperature.
- ▲ Use protective gloves when assembling this product.
- ▲ Do not force parts together as this can result in personal injury or damage to the product.
- ▲ Never cover entire cooking area with aluminum foil.
- ▲ All electrical accessories (such as rotisserie) must be electrically grounded in accordance with local codes, or National Electrical Code, ANSI / NFPA 70 or Canadian Electrical Code, CSA C22.1. Keep any electrical cords and/or fuel supply hoses away from any hot surfaces.
- ▲ To protect against electric shock, do not immerse cord or plugs in water or other liquid.
- ▲ Unplug from the outlet when not in use and before cleaning. Allow to cool before putting on or taking off parts.
- ▲ Do not let the cord hang over the edge of a table or touch hot surface.
- ▲ Do not use an outdoor cooking gas appliance for purposes other than intended.
- ▲ When connecting, first connect plug to the outdoor cooking gas appliance then plug appliance into the outlet.
- ▲ Use only a Ground Fault Interrupter (GFI) protected circuit with this outdoor cooking gas appliance.
- ▲ Never remove the grounding plug or use with an adapter of 2 prongs; and use only extension cords with a 3 prong grounding plug, rated for the power of the equipment, and approved for outdoor use with a W-A marking.
- ▲ OUTDOOR USE ONLY. DO NOT EXPOSE TO RAIN.
- ▲ CAUTION: Risk of Electric Shock. Keep extension cord connection dry and off the ground
- ▲ Use only on properly grounded outlet.
- ▲ Deaths, serious injury or damage to property may occur if the above is not followed exactly

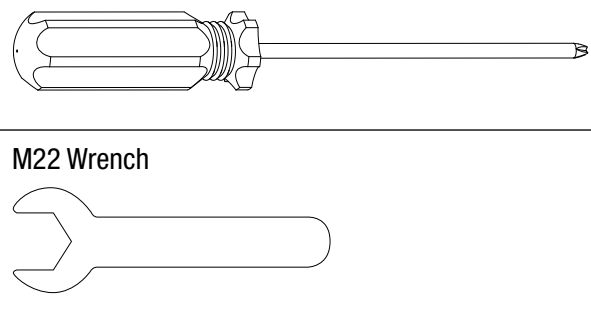
Contact 1.800.762.1142 for assistance. Do not return to place of purchase.

| Parts List |                  | Exploded View |
|------------|------------------|---------------|
| 1          | Natural Gas Hose | 55-08-212     |
| 2          | Quick Connect    | 55-10-339     |




| Hardware (Not Included) |            |   |
|-------------------------|------------|---|
| A                       | Screw      | M4x10 Nickel Plated Phillips Truss Head |
| B                       | Cotter Pin |   |

| Tools Required for Conversion (Not Included) |  |      |
|--|--|------|
| #2 Phillips Head Screwdriver                 |  | 1 pc |
| M22 Wrench                                   |  | 1 pc |



| Tools Required for Conversion (Included) |  |      |
|--|--|------|
| Wrench                                   |  | 1 pc |



## Conversion Instructions

### 1 DO NOT RETURN PRODUCT TO STORE.

For assistance call 1.800.762.1142 toll free. Please have your owner's manual and model number available for reference.

For Easiest Assembly:

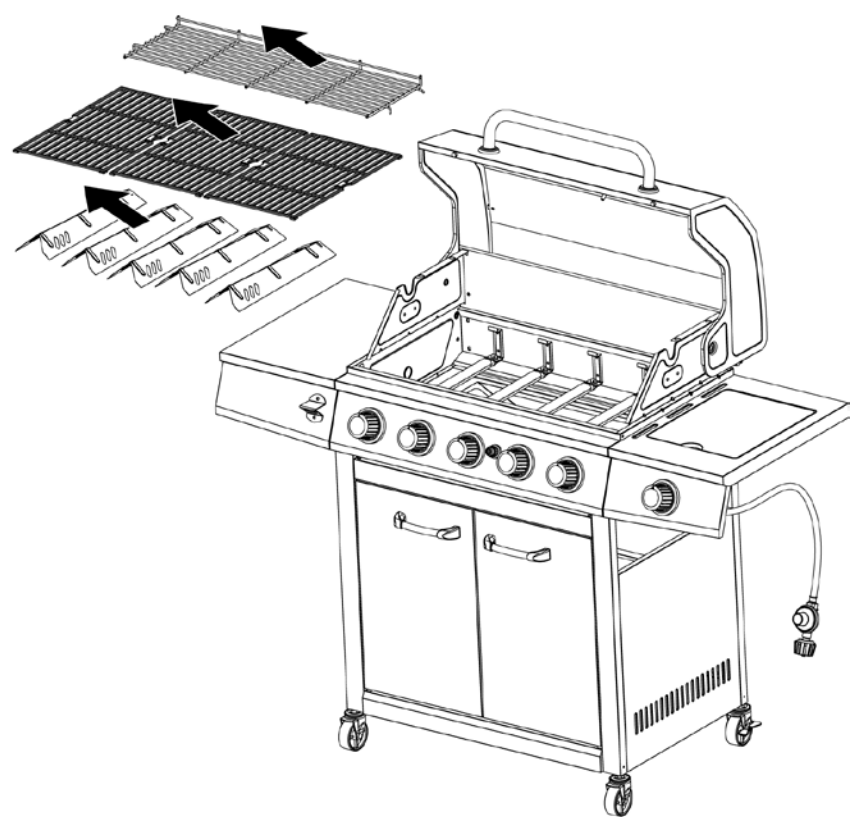
- To avoid losing any small components or hardware, assemble your product on a level surface that does not have cracks or openings.
- Clear an area large enough to layout all components and hardware and that is soft to not scratch or damage any surface finishes.
- When applicable, tighten all hardware connections by hand first. Once the step is completed go back and fully tighten all hardware while being cautious not to over tighten to avoid damaging surfaces or stripping hardware.
- Follow all steps in order to properly assemble your product.

To complete conversion you will need:

- (1) Leak Detection Solution (Instructions on how to make solution are included in the "Operating Instructions" section of this manual)

Typical conversion: approximately 1 (one) hour.

### 2 Remove Warming Rack, Cooking Grids and Heat Plates

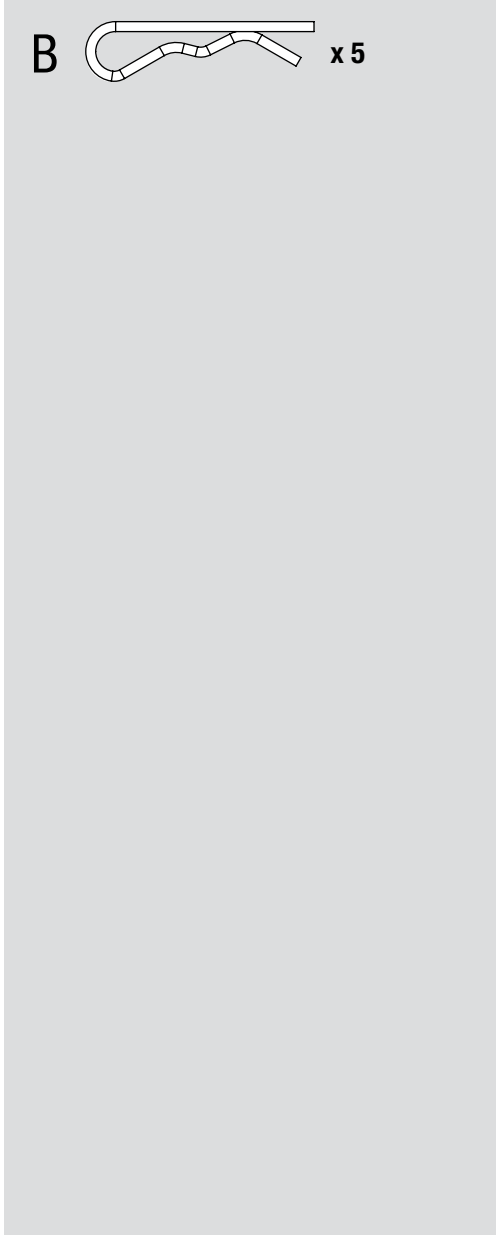
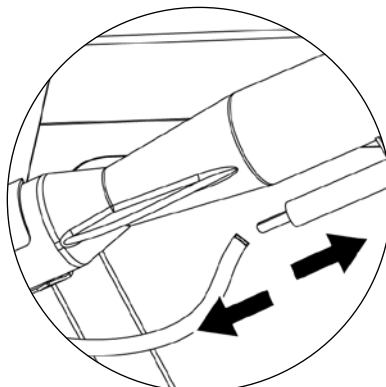
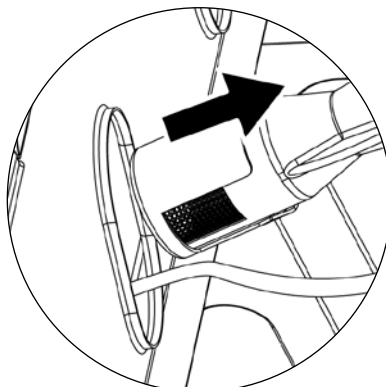
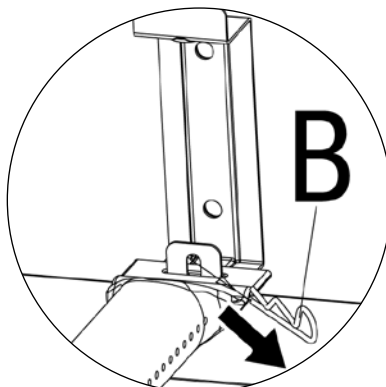
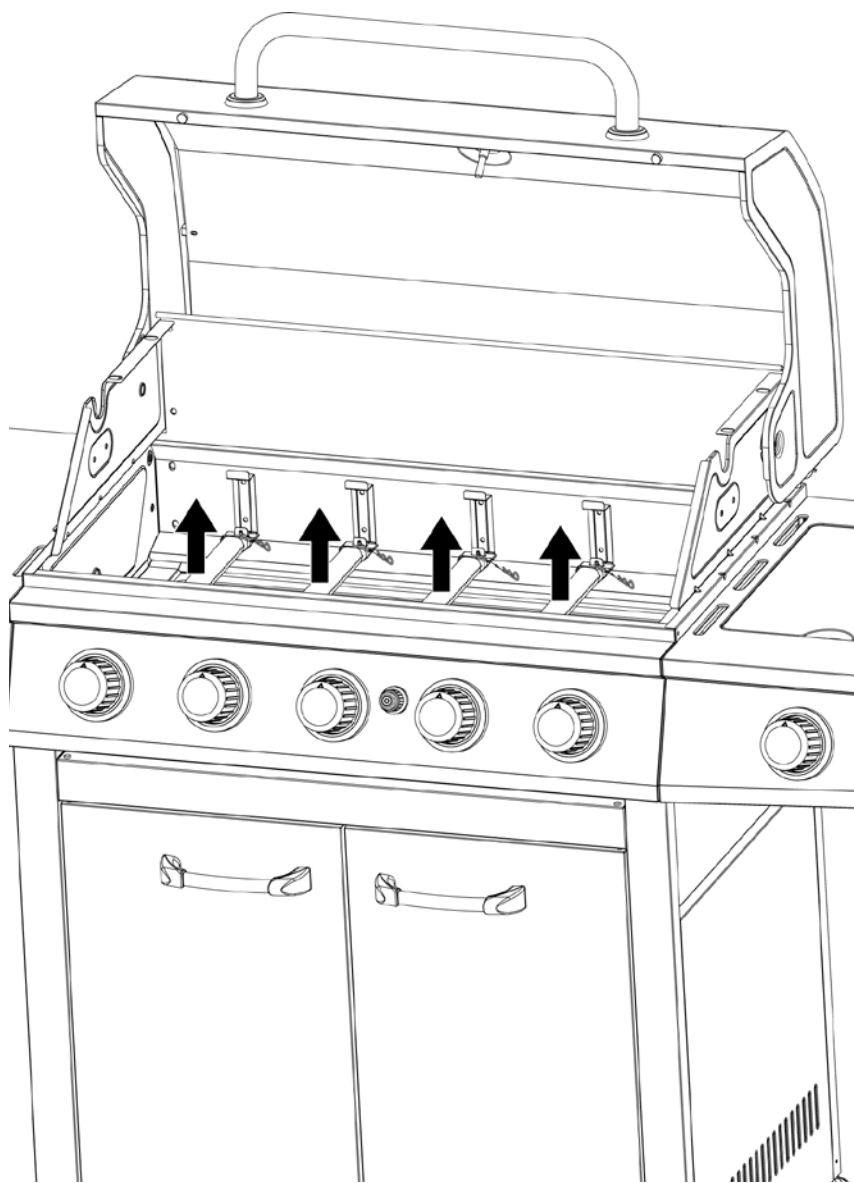




**Conversion Instructions**

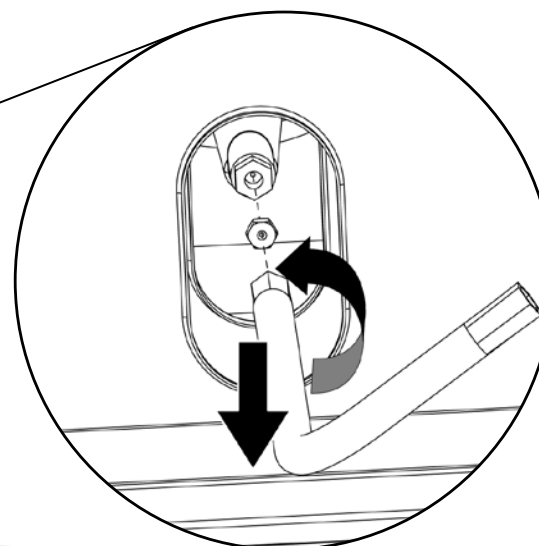
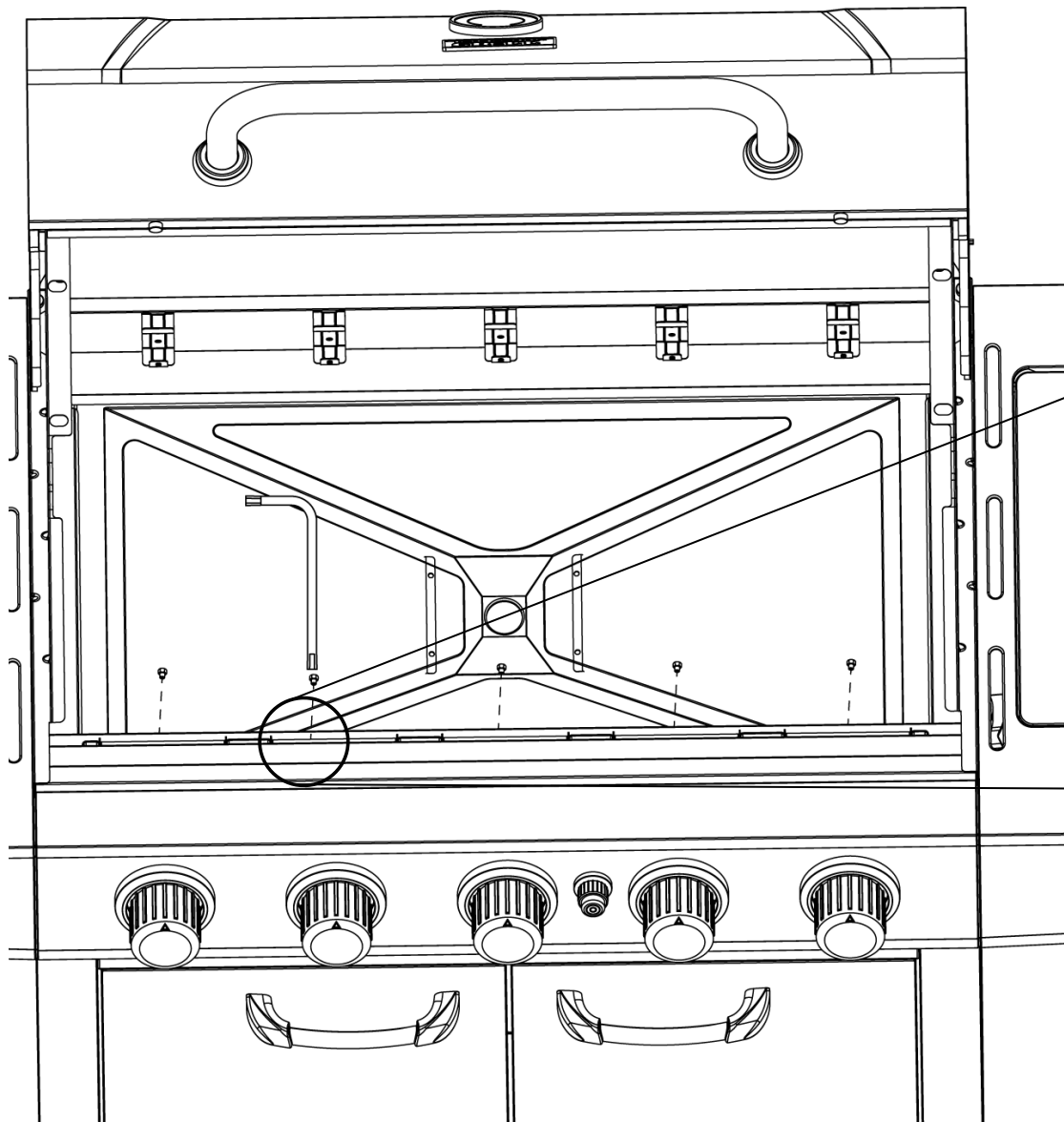
**3**

**Remove Burners**

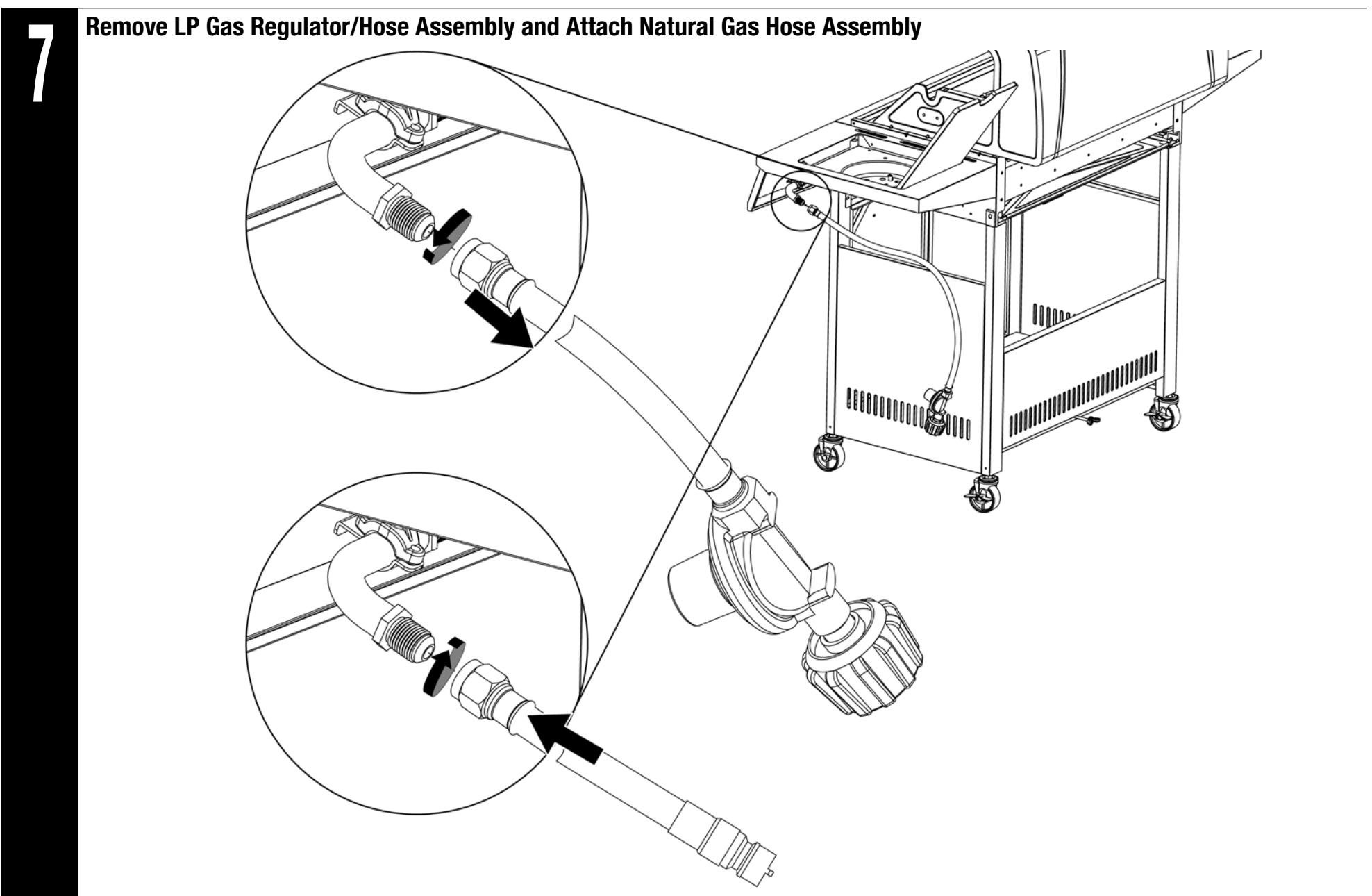
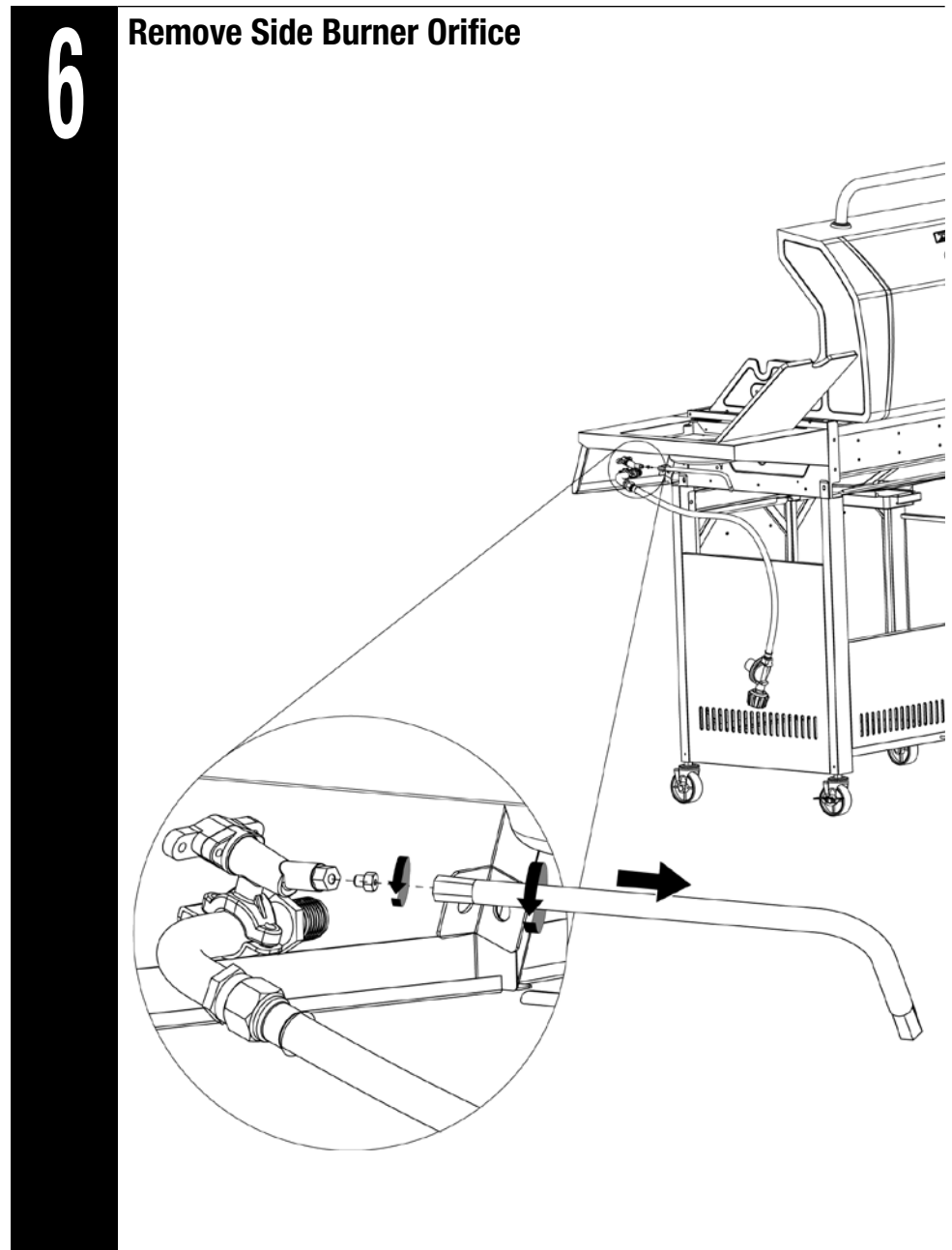
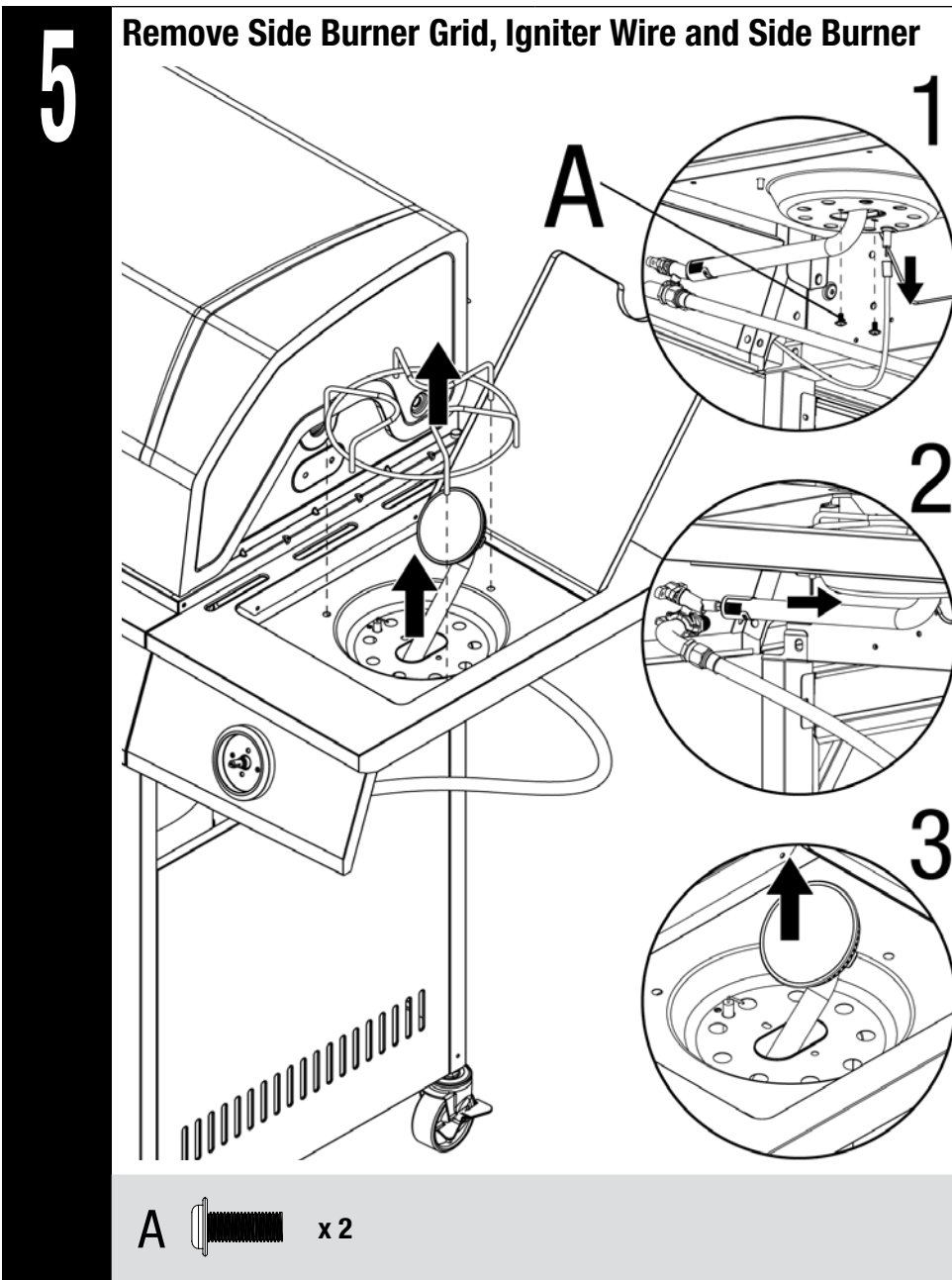


**4**

**Remove Main Burner Orifices**



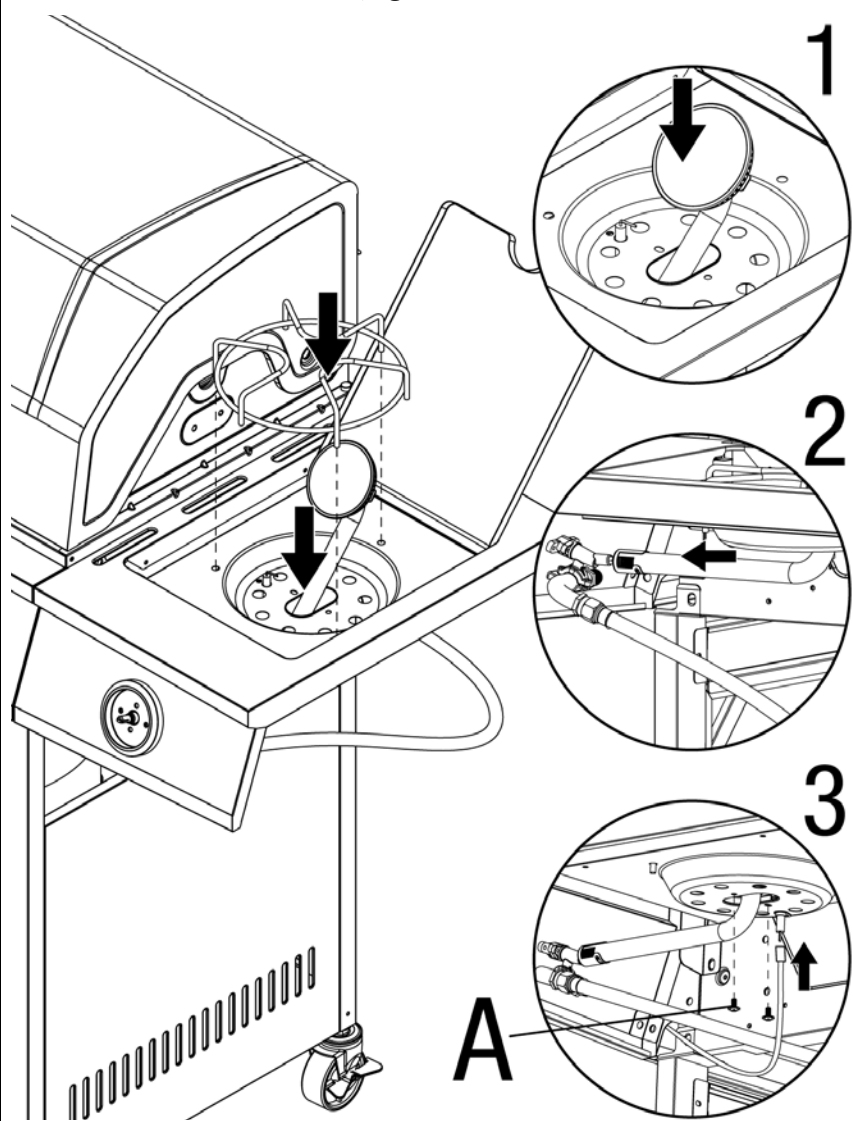
Contact 1.800.762.1142 for assistance. Do not return to place of purchase.



Conversion Instructions (continued)

8

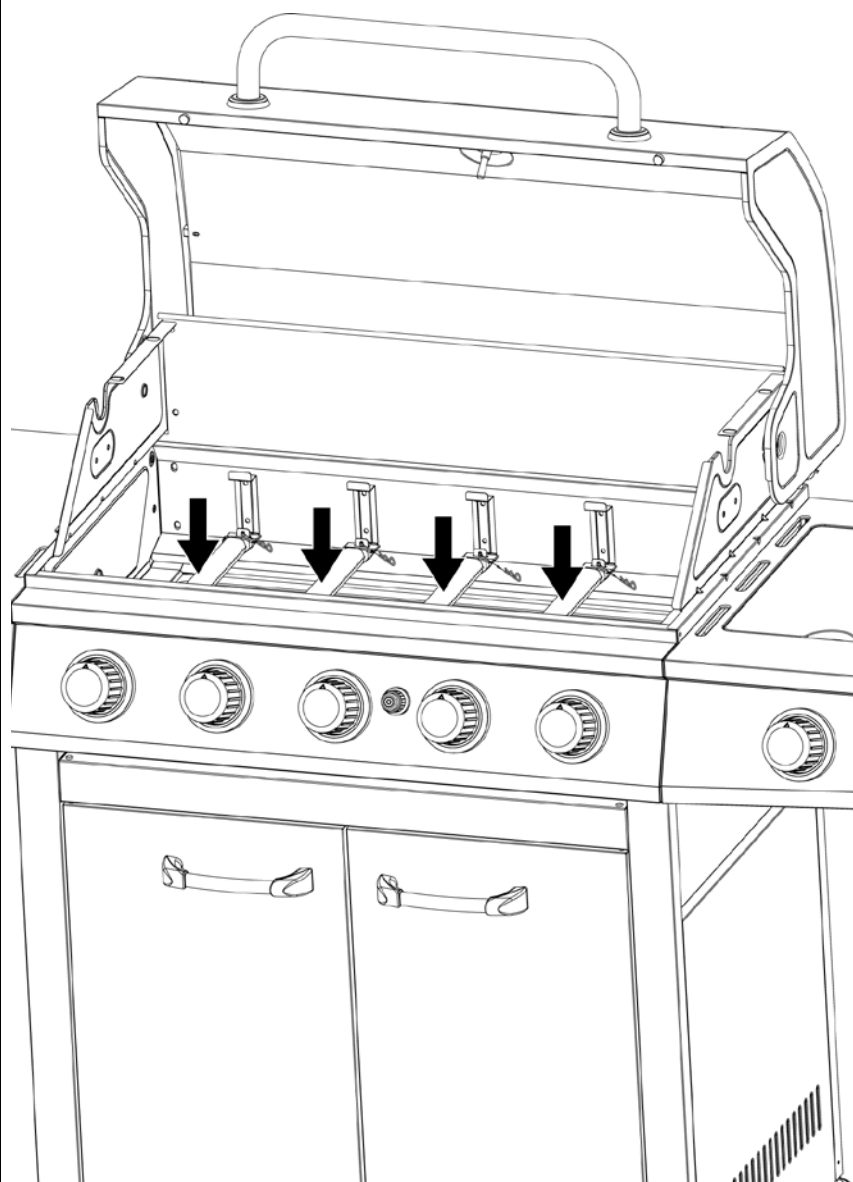
Attach Side Burner Grid, Igniter Wire and Side Burner

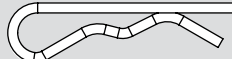


A  x2

9

Attach Burners

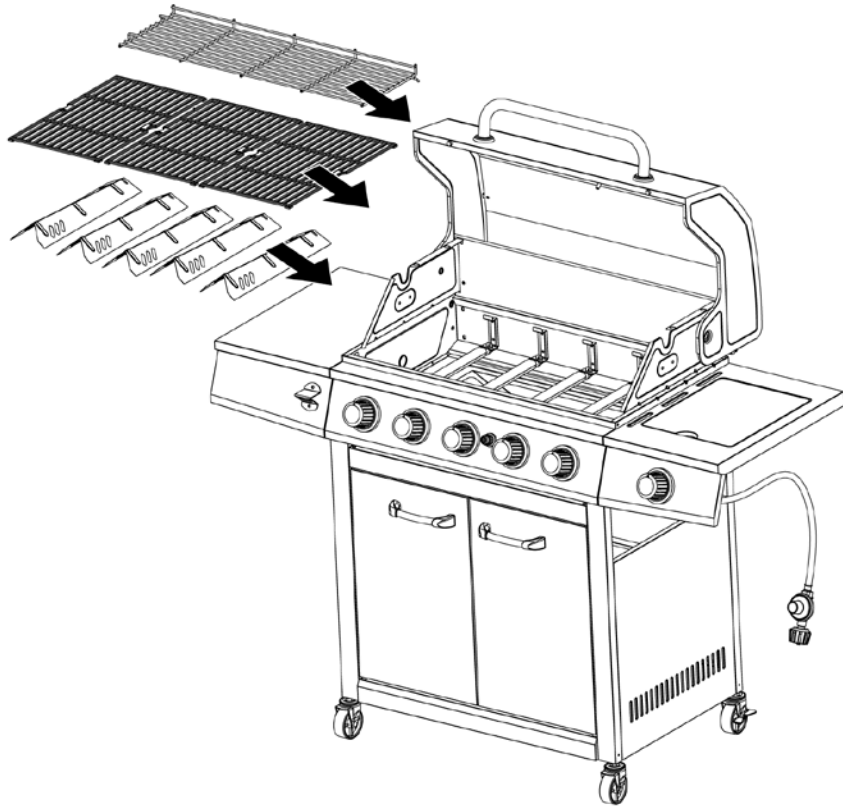


B  x5



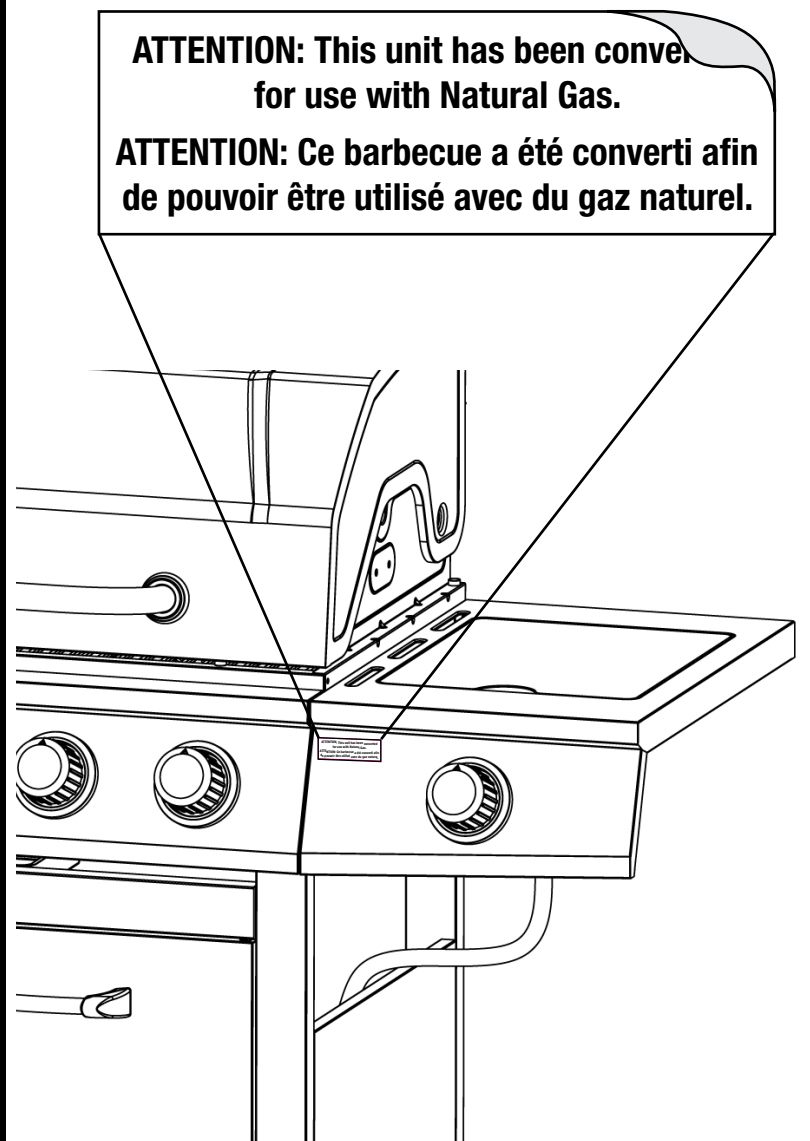
10

## Insert Heat Plates, Cooking Grids and Warming Rack



11

## Attach Natural Gas Label



12

## Perform a Leak Check

**DANGER**

If you smell gas -

1. Shut off gas to appliance.
2. Extinguish any open flame.
3. Open lid.
4. If odor continues, keep away from the appliance and immediately call your gas supplier or your fire department.

1. Do NOT operate if gas leak is present. Gas leaks may cause a fire or explosion.
2. You must follow all leak-checking procedures before operating. To prevent fire or explosion hazard when testing for a leak:
  - a. Always perform leak test before lighting the grill and each time the LP gas tank or natural gas line is connected.
  - b. No smoking. Do not use or permit sources of ignition in the area while conducting a leak test.
  - c. Conduct the leak test outdoors in a well-ventilated area.
  - d. Do NOT use matches, lighters or a flame to check for leaks.
  - e. Do NOT use grills until any and all leaks are corrected.

If you are unable to stop a leak, disconnect the LP or Natural gas supply. Call a gas appliance serviceman.

Contact 1.800.762.1142 for assistance. Do not return to place of purchase.

## Installing Natural Gas Line

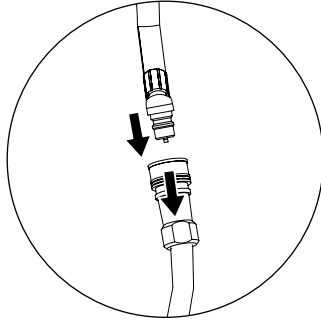
Installation should be done by a qualified service person.

**CAUTION: If young children are in the area, a locking valve should be considered.**

### Connect Natural Gas Line

Before connecting, be sure that there is no debris caught in the head of the natural gas line, head of the grill natural gas line or in the head of the burner and burner ports.

Connect grill natural gas line to natural gas line.



### Disconnect Natural Gas Line

Before disconnecting make sure the natural gas line valve is "OFF".

Disconnect grill natural gas line from natural gas line.

## Operating Instructions

### Checking for Leaks

See your grill's Owner's Manual for Instructions. If you do not have the owner's manual please call Customer Care at 1.800.762.1142 or visit [www.bluerhino.com](http://www.bluerhino.com).

#### Burner Connections

1. Make sure the regulator valve and hose connections are securely fastened to the burner and the tank.  
Visually check the connection between the burner venturi pipe and orifice. Make sure the burner venturi pipe fits over the orifice.

**▲ WARNING: Failure to inspect this connection or follow these instructions could cause a fire or an explosion which can cause death, serious bodily injury or damage to property.**

2. Please refer to diagram for proper installation (Figures 1, 2 and 4).
3. If the burner pipe does not rest flush to the orifice, please contact 1.800.762.1142 for assistance.

#### Gas Line Connection

1. Make 2-3 oz. of leak solution by mixing one part liquid dishwashing soap with three parts water.
2. Make sure control knobs are  $\Delta$  (OFF) position. (Figure 3)
3. Turn "ON" natural gas main valve.
4. Spoon leak check solution at all "X" locations (Figures 1, 2 and 4)
  - a. If any bubbles appear turn natural gas main valve "OFF", reconnect and re-test.
  - b. If you continue to see bubbles after several attempts, turn natural gas main valve "OFF" and disconnect natural gas line and contact 1.800.762.1142 for assistance.
  - c. If no bubbles appear after one minute turn natural gas main valve "OFF", wipe away solution and proceed.

Figure 1

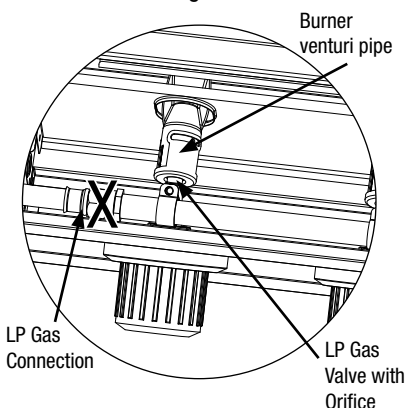


Figure 2

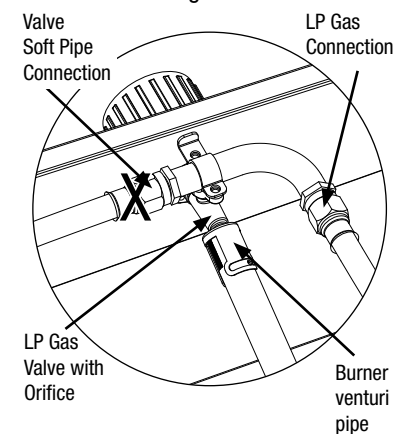


Figure 3

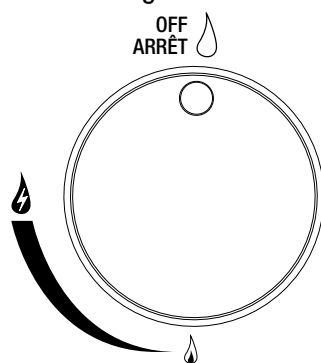
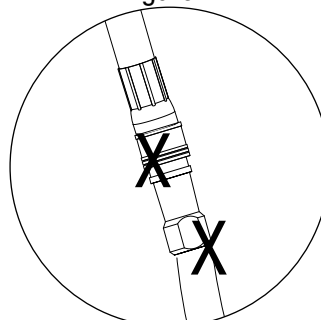


Figure 4



## Cleaning and Care

See your grill's Owner's Manual for Instructions. If you do not have the owner's manual please call Customer Care at 1.800.762.1142 or visit [www.bluerhino.com](http://www.bluerhino.com).

## Limited Warranty

Blue Rhino Global Sourcing, Inc ("Vendor") warrants to the original retail purchaser of this product, and to no other person, that if this product is assembled and operated in accordance with the printed instructions accompanying it, then for a period of one (1) year from the date of purchase, all parts in such product shall be free from defects in material and workmanship. Vendor may require reasonable proof of your date of purchase. Therefore, you should retain your sales slip or invoice. This Limited Warranty shall be limited to the repair or replacement of parts, which prove defective under normal use and service and which Vendor shall determine in its reasonable discretion upon examination to be defective. Before returning any parts, you should contact Vendor's Customer Service Department using the contact information listed below. If Vendor confirms, after examination, a defect covered by this Limited Warranty in any returned part, and if Vendor approves the claim, Vendor will replace such defective part without charge. If you return defective parts, transportation charges must be prepaid by you. Vendor will return replacement parts to the original retail purchaser, freight or postage prepaid.

This Limited Warranty does not cover any failures or operating difficulties due to accident, abuse, misuse, alteration, misapplication, improper installation or improper maintenance or service by you or any third party, or failure to perform normal and routine maintenance on the product as set out in this owner's manual. In addition, the Limited Warranty does not cover damage to the finish, such as scratches, dents, discoloration, rust or other weather damage, after purchase.

This Limited Warranty is in lieu of all other express warranties. Vendor disclaims all warranties for products that are purchased from sellers other than authorized retailers or distributors, including the warranty of merchantability or the warranty of fitness for a particular purpose. VENDOR ALSO DISCLAIMS ANY AND ALL IMPLIED WARRANTIES, INCLUDING WITHOUT LIMITATION THE IMPLIED WARRANTIES OF MERCHANTABILITY AND FITNESS FOR A PARTICULAR PURPOSE. VENDOR SHALL NO LIABILITY TO PURCHASER OR ANY THIRD PARTY FOR ANY SPECIAL, INDIRECT, PUNITIVE, INCIDENTAL, OR CONSEQUENTIAL DAMAGES. Vendor further disclaims any implied or express warranty of, and assumes no responsibility for, defects in workmanship caused by third parties.

This Limited Warranty gives the purchaser specific legal rights; a purchaser may have other rights depending upon where he or she lives. Some jurisdictions do not allow the exclusion or limitation of special, incidental or consequential damages, or limitations on how long a warranty lasts, so the above exclusion and limitations may not apply to everyone.

Vendor does not authorize any person or company to assume for it any other obligation or liability in connection with the sale, installation, use, removal, return, or replacement of its equipment, and no such representations are binding on Vendor.

Blue Rhino Global Sourcing, Inc.  
Winston-Salem, North Carolina 27105 USA  
1.800.762.1142

### Operating Main Burners

See your grill's Owner's Manual for Instructions. If you do not have the owner's manual please call Customer Care at 1.800.762.1142 or visit [www.bluerhino.com](http://www.bluerhino.com).

### Operating Side Burner

See your grill's Owner's Manual for Instructions. If you do not have the owner's manual please call Customer Care at 1.800.762.1142 or visit [www.bluerhino.com](http://www.bluerhino.com).



**Trousse de conversion compatible uniquement avec certains barbecues UniFlame® et Backyard Grill™.**

# Trousse de conversion au gaz naturel pour



Pour une liste complète scanner le code à gauche ou visiter [bluerhino.com/VFK1000W-C](http://bluerhino.com/VFK1000W-C)



GBC1255W-C



GBC1355W-C

**Cette trousse de conversion au gaz naturel peut être utilisée UNIQUEMENT avec les barbecues approuvés.**

**AVERTISSEMENT**  
**POUR VOTRE SÉCURITÉ:**  
Pour usage à l'extérieur seulement (hors de tout abri clos)

**AVERTISSEMENT**  
**POUR VOTRE SÉCURITÉ:**

1. Toute installation défectueuse ou modification incorrecte ainsi que tout mauvais réglage ou entretien incorrect risque d'entraîner des blessures ou des dégâts matériels.
2. Lire complètement les instructions d'installation, d'utilisation et d'entretien avant de procéder à la maintenance de l'appareil ou à son entretien.
3. Le non-respect de ces consignes risque de provoquer un incendie ou une explosion et entraîner des dégâts matériels, des blessures graves voire la mort.
4. Ce manuel d'utilisation contient des consignes de sécurité indispensables au montage et au bon fonctionnement de l'appareil.
5. Lire et suivre toutes les mises en garde et instructions avant d'assembler et d'utiliser l'appareil.
6. Suivre toutes les mises en garde et instructions lors de l'utilisation de l'appareil.
7. Conserver ce manuel afin de pouvoir s'y référer ultérieurement.

**DANGER**

S'il y a une odeur de gaz:

1. Coupez l'admission de gaz de l'appareil.
2. Éteindre toute flamme nue.
3. Ouvrir le couvercle.
4. Si l'odeur persiste, éloignez-vous de l'appareil et appelez immédiatement le fournisseur de gaz ou le service d'incendie.

**AVERTISSEMENT**  
**POUR VOTRE SÉCURITÉ:**

1. Ne pas entreposer ni utiliser de l'essence ni d'autres vapeurs ou liquides inflammables dans le voisinage de l'appareil, ni de tout autre appareil.
2. Une bouteille de propane qui n'est pas raccordée en vue de son utilisation, ne doit pas être entreposée dans le voisinage de cet appareil ou de tout autre appareil.

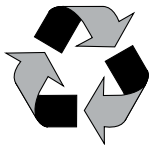
**DANGER**

Ne jamais laisser un barbecue allumé sans surveillance.

## Table des matières

|   |        |
|---|--------|
| Consignes de sécurité importantes . . . . .                         | Page 2 |
| Vue éclatée des pièces et quincaillerie . . . . .                   | 3      |
| Instructions d'assemblage . . . . .                                 | 3      |
| Installation de la conduite d'alimentation en gaz naturel . . . . . | 8      |
| Brancher le tuyau de gaz . . . . .                                  | 8      |
| Débrancher le tuyau de gaz . . . . .                                | 8      |
| Fonctionnement . . . . .  | 8      |
| Rechercher une fuite potentielle . . . . .                          | 8      |
| Fonctionnement des brûleurs principaux . . . . .                    | 8      |
| Fonctionnement du brûleur latéral . . . . .                         | 8      |
| Nettoyage et entretien . . . . .                                    | 8      |
| Garantie limitée . . . . .  | 8      |

L'utilisation et l'installation de cet appareil doivent être conformes aux codes locaux. En l'absence de codes locaux, suivez le *Code national du gaz combustible, les normes ANSI Z223.1/NFPA 54, le Code d'installation du gaz naturel et du propane, CAN/CGA-B149.1 ou le Code sur le stockage et la manipulation du propane, B149.2.*



Fabriqué à partir de 75% de bagasse de canne à sucre (résidu de pulpe de canne à sucre sans danger pour l'environnement)

**L'installation doit être effectuée par du personnel qualifié.**

Utiliser uniquement des pièces agréées de l'usine Blue Rhino Global Sourcing, Inc. L'emploi de toute pièce non agréée peut être dangereuse et entraînera l'annulation de la garantie.

## Consignes de sécurité importantes

- ▲ **DANGER:** Le non-respect des avis de danger, des mises en garde et des consignes de sécurité de ce manuel risque de provoquer un incendie ou une explosion et d'entraîner des dégâts matériels, des blessures graves voire la mort.
- ▲ **AVERTISSEMENT:**
- ▲ L'installation et les réparations doivent être effectuées par du personnel qualifié.
- ▲ Ce barbecue doit être utilisé uniquement à l'extérieur et ne doit pas être utilisé dans un immeuble, un garage ou tout autre espace clos.
- ▲ Caractéristiques du gaz naturel (GN) :
  - a. Le gaz naturel est un gaz inflammable et dangereux si ce dernier n'est pas manipulé correctement. Il est indispensable de connaître les dangers encourus avant d'utiliser tout appareil fonctionnant au gaz naturel.
  - b. Le gaz naturel est un gaz inflammable qui risque d'exploser sous pression.
  - c. Le gaz naturel à l'état naturel est inodore. Pour votre sécurité, un odorisant ayant l'odeur de choux avariés a été ajouté.
  - d. Tout contact du gaz naturel avec la peau risque d'entraîner des engelures.
- ▲ Vérifier que l'appareil ne présente aucune fuite même si ce dernier a été assemblé pour vous par quelqu'un d'autre.
- ▲ Ne pas utiliser le barbecue en cas de fuite de gaz. Toute fuite de gaz risque de provoquer un incendie ou une explosion.
- ▲ Il est obligatoire de suivre toutes les procédures de détection de fuite avant d'utiliser cet appareil. Afin d'éviter tout risque d'incendie et d'explosion lorsque l'on recherche une fuite :
  - a. Vérifier que le circuit ne présente pas de fuite en effectuant un "test d'étanchéité" avant d'allumer le barbecue à chaque fois que la bouteille de gaz est branchée afin de l'utiliser.
  - b. Interdiction de fumer. Ne pas utiliser ni laisser de sources d'ignition à proximité du barbecue lorsque l'on recherche une fuite.
  - c. Effectuer le test d'étanchéité en plein air, dans un emplacement bien aéré.
  - d. Ne pas utiliser d'allumettes, de briquets ou de flamme nue afin de rechercher une fuite.
  - e. Ne pas utiliser le barbecue avant d'avoir réparé toute les fuites.
- ▲ S'il s'avère impossible d'arrêter une fuite, fermez le robinet de gaz du tuyau d'alimentation de gaz naturel. Contacter un réparateur ou votre compagnie du gaz.
- ▲ Cet appareil et son robinet d'arrêt doivent être débranchés de la tuyauterie d'alimentation de gaz à chaque fois qu'un test de pression de la tuyauterie est effectué à une pression excédant 0,5 psi (3,5 kpa).
- ▲ Cet appareil doit être isolé de la tuyauterie d'alimentation de gaz en fermant le robinet d'arrêt manuel lors de toute vérification de pression de la tuyauterie d'alimentation de gaz à des pressions d'essai égales ou inférieures à 0,5 psi (3,5 kpa).
- ▲ Veiller à toujours effectuer un test d'étanchéité pour détecter la présence d'une fuite lors de l'entretien du barbecue. Ne jamais Utiliser de flamme nue afin de rechercher une fuite. Ne pas fumer lors du test d'étanchéité.
- ▲ La distance de sécurité minimum entre l'appareil et toute construction combustible est de 90 cm sur les côtés et de 90 cm à l'arrière. Ne pas utiliser cet appareil sous une structure combustible suspendue ou en saillie.
- ▲ Il est primordial que le compartiment de la soupape de commande du barbecue, les brûleurs et les passages par où l'air circule demeurent propres. Vérifier le barbecue avant chaque utilisation.
- ▲ Ne modifier en aucune façon le barbecue.
- ▲ Ne pas utiliser le barbecue à moins qu'il ne soit **COMPLÈTEMENT** assemblé et que les pièces ne soient toutes fixées et serrées.
- ▲ Ce barbecue doit être vérifié et nettoyé en entier régulièrement. Nettoyer et inspecter le tuyau à chaque fois, avant d'utiliser l'appareil. En cas d'abrasion, d'usure, de coupures ou de fuite, le tuyau doit être remplacé avant que cet appareil ne soit mis en fonctionnement.
- ▲ Utiliser uniquement le régulateur et le tuyau fournis. Le régulateur et le tuyau de rechange doivent être ceux spécifiés par le fabricant.
- ▲ Utiliser uniquement des pièces agréées de l'usine Blue Rhino Global Sourcing, Inc. L'emploi de toute pièce non agréée peut être dangereuse et entraînera l'annulation de la garantie.
- ▲ Ne pas utiliser cet appareil avant de lire le chapitre « Fonctionnement » de ce manuel.
- ▲ Ce barbecue a été mis au point pour pouvoir fonctionner avec la pression d'alimentation suivante : **PROPANE** : 11 po. (28 cm) de colonne d'eau; **GAZ NATUREL** : 7 po. (18 cm) de colonne d'eau.
- ▲ Ne pas toucher les pièces métalliques du barbecue avant qu'il n'ait complètement refroidi (attendre environ 45 minutes) afin de ne pas se brûler à moins de porter des vêtements de protection (gants, maniques, attirail de barbecue, etc.).
- ▲ Lors de la cuisson, conserver toujours à portée de main des articles ou matières capable d'éteindre le feu. En cas de feu de graisse, ne tentez pas d'éteindre le feu avec de l'eau. Utiliser un extincteur à poudre BC ou étouffez le feu avec de la terre, du sable ou du bicarbonate de soude.
- ▲ Ne pas installer ni utiliser cet appareil à bord d'un bateau ou d'un véhicule récréatif.
- ▲ Ne pas utiliser le barbecue par grand vent.
- ▲ Ne jamais se pencher au-dessus du barbecue pour l'allumer.
- ▲ Ne jamais laisser un barbecue allumé sans surveillance surtout si des enfants ou des animaux domestiques et de compagnie sont à proximité.
- ▲ Ne pas essayer de déplacer le barbecue quand il est allumé. Laisser le barbecue refroidir avant de le déplacer ou de le remiser.
- ▲ Veiller à toujours ouvrir le couvercle du barbecue lentement et avec précaution car la chaleur et la vapeur piégées à l'intérieur risquent de provoquer de graves brûlures.
- ▲ Placer toujours le barbecue sur une surface plane et dure. Il est déconseillé de le placer sur de l'asphalte ou du bitume.
- ▲ Placer les tuyaux souples de gaz le plus loin possible des surfaces chaudes et de l'égouttage des graisses brûlantes.
- ▲ Veiller à ce que les câbles et cordons électriques demeurent toujours loin du barbecue lorsqu'il est chaud.
- ▲ Ne pas utiliser le barbecue pour se chauffer ou pour cuisiner à l'intérieur. Des émanations **TOXIQUES** de monoxyde de carbone peuvent s'accumuler et provoquer l'asphyxie.
- ▲ Après une période de remisage ou si le barbecue n'a pas été utilisé pour une certaine période, s'assurer qu'il n'y a pas de fuite et que les brûleurs ne sont pas bouchés. Vérifier également que le tuyau ne présente pas de traces d'abrasion, d'usure ou de coupures.
- ▲ Le fait de ne pas maintenir le couvercle ouvert lors de l'allumage des brûleurs du barbecue ou de ne pas attendre 5 minutes afin que le gaz se dissipe au cas où le barbecue ne s'allume pas, risque de provoquer un retour de flammes explosif.
- ▲ Lorsque l'on n'utilise pas le barbecue, fermer l'alimentation du gaz au niveau de la bouteille.
- ▲ Ne jamais utiliser le barbecue sans avoir installé auparavant les diffuseurs de chaleur.
- ▲ Veiller à toujours utiliser un thermomètre à viande afin de s'assurer que la nourriture est cuite à une température adéquate.
- ▲ Ce barbecue a été mis au point pour pouvoir fonctionner avec une pression d'alimentation de 7 po. (18 cm) de colonne d'eau.
- ▲ Porter des gants de protection pour assembler cet article.
- ▲ Ne pas forcer les pièces les unes dans les autres afin d'éviter toute blessure et éviter d'endommager cet article.
- ▲ Ne jamais recouvrir complètement la zone de cuisson avec du papier d'aluminium.
- ▲ Tous les accessoires électriques (tels que le tournebroche de la rôtisserie) doivent être mis à la terre conformément aux codes locaux, ou le Code électrique national, ANSI / NFPA 70 ou le Code électrique canadien et la réglementation CSA C22.1. Veillez à ce que les cordons électriques et ou les tuyaux souples de combustible demeurent à l'écart des surfaces chaudes.
- ▲ Pour éviter tout risque d'électrocution, ne pas immerger le cordon ou les fiches électriques dans de l'eau ou tout autre liquide.
- ▲ Débrancher l'appareil de la prise de courant lorsque l'appareil n'est pas utilisé et à chaque fois qu'il doit être nettoyé. Laisser le barbecue refroidir avant d'ajouter ou de retirer des pièces
- ▲ Le cordon d'alimentation doit être disposé de façon à ne pas pendre d'un comptoir ou d'une table ni toucher une surface chaude de l'appareil.
- ▲ Ne pas utiliser cet appareil pour un usage autre que celui auquel il est destiné.
- ▲ Lors du branchement, brancher tout d'abord la fiche sur l'appareil de cuisson d'extérieur à gaz puis brancher le cordon de l'appareil sur une prise de courant.
- ▲ Brancher uniquement cet appareil de cuisson d'extérieur à gaz sur un circuit protégé par un disjoncteur différentiel (GFI).
- ▲ Ne jamais retirer la fiche de mise à la terre et ne jamais utiliser un adaptateur à deux broches. Utiliser uniquement des rallonges équipées de fiches à 3 broches avec mise à la terre, homologuées pour usage à l'extérieur et marquées W-A avec la puissance en watts et l'intensité en ampères correspondantes à cet appareil.
- ▲ **POUR UTILISATION À L'EXTÉRIEUR UNIQUEMENT. NE PAS EXPOSER À LA PLUIE.**
- ▲ **ATTENTION** : Risque d'électrocution. Garder la fiche de rallonge électrique sèche et loin du sol.
- ▲ N'utiliser qu'avec une prise de courant correctement mise à la terre.
- ▲ Les consignes ci-dessus doivent être strictement respectées et le non respect de ces consignes risque de provoquer des dégâts matériels ou d'entraîner des blessures graves voire la mort.

| Liste des pièces   | Vue éclatée                   |                               |           |   |                |           |  |
|--|-------------------------------|-------------------------------|-----------|---|----------------|-----------|--|
| <table border="1"> <tr> <td>1</td> <td>Tuyau souple pour gaz naturel</td> <td>55-08-212</td> </tr> <tr> <td>2</td> <td>Raccord rapide</td> <td>55-10-339</td> </tr> </table> | 1                             | Tuyau souple pour gaz naturel | 55-08-212 | 2 | Raccord rapide | 55-10-339 |  |
| 1  | Tuyau souple pour gaz naturel | 55-08-212                     |           |   |                |           |  |
| 2  | Raccord rapide                | 55-10-339                     |           |   |                |           |  |

| Quincaillerie (non fournie) |                 |   |
|-----------------------------|-----------------|---|
| A                           | Vis             | Niquelée, à tête bombée Phillips, M4x12 |
| B                           | Goupille fendue |   |

| Pièces requises pour l'assemblage (fournies) |      |
|--|------|
| Clé  | 1 pc |
|  |      |

| Pièces requises pour l'assemblage (non fournies) |      |
|--|------|
| Tournevis cruciforme Phillips n°2                | 1 pc |
|  |      |
| Clé M22  | 1 pc |
|  |      |

## Instructions de conversion

### 1 NE PAS RETOURNER AU MAGASIN AVEC CET ARTICLE.

Pour toute assistance technique, appelez le numéro sans frais **1.800.762.1142**. Faites en sorte que votre manuel d'utilisation et le modèle numéro soient à portée de main afin de pouvoir vous y référer.

*Remarque:* Le modèle numéro se trouve au dos du chariot.

Pour faciliter l'assemblage:

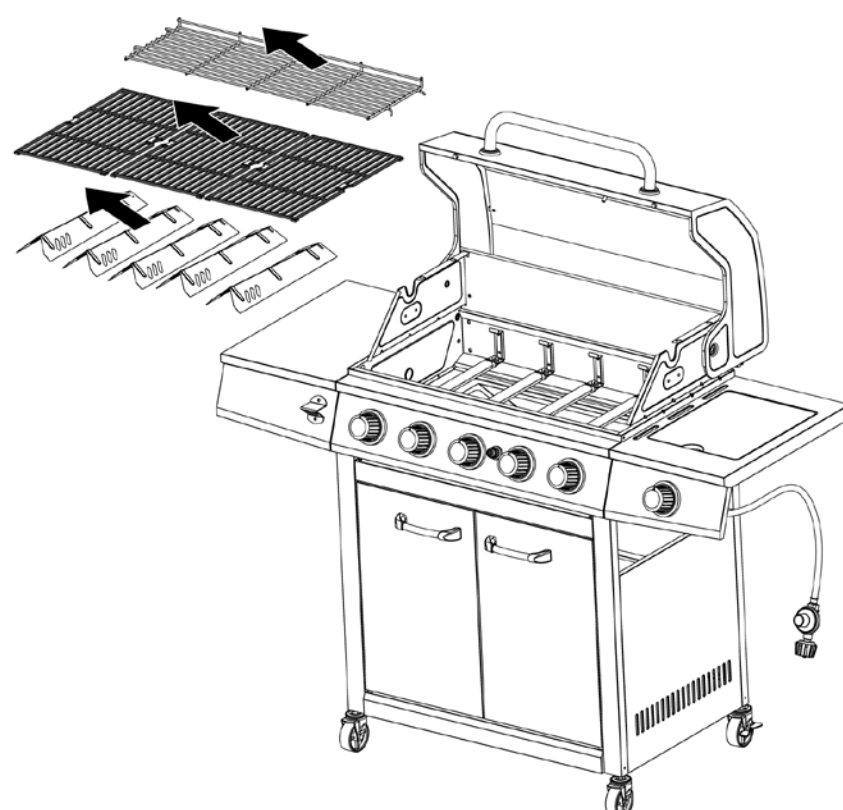
- Pour éviter de perdre des petites pièces ou la quincaillerie d'installation, assemblez cet article sur une surface plane qui ne comporte pas de trous ni de fissures.
- Prévoyez une surface de travail suffisamment grande afin d'étaler toutes les pièces et la quincaillerie d'installation. Cette surface ne doit pas être dure afin d'éviter de rayer ou d'endommager le fini de l'appareil.
- Lorsque nécessaire, serrez toutes les fixations et la visserie en premier. Une fois l'étape terminée, serrez-les complètement en veillant à ne pas trop les serrer afin d'éviter d'endommager la surface de l'appareil et de fausser le filetage.
- Suivez toutes les étapes dans l'ordre afin d'assembler correctement cet article.

Pour effectuer la conversion, vous aurez besoin des choses suivantes:

- (1) solution de détection de fuites (voir instructions sur la préparation de la solution au chapitre « Fonctionnement »).

Temps de conversion: environ une (1) heure.

### 2 Retirer la grille de réchauffage, les grilles de cuisson et les diffuseurs de chaleur

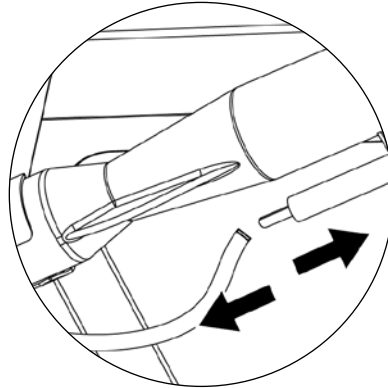
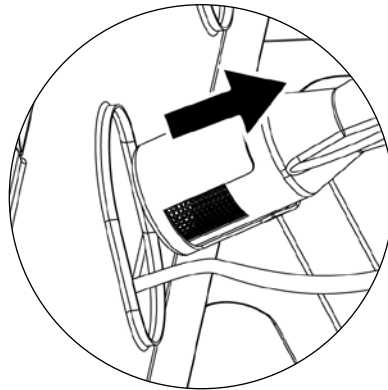
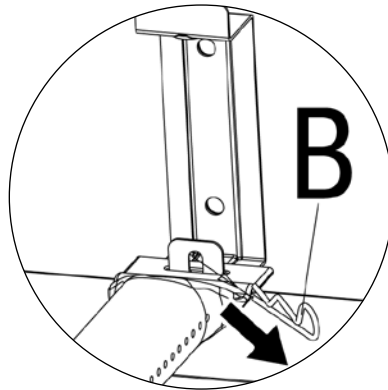
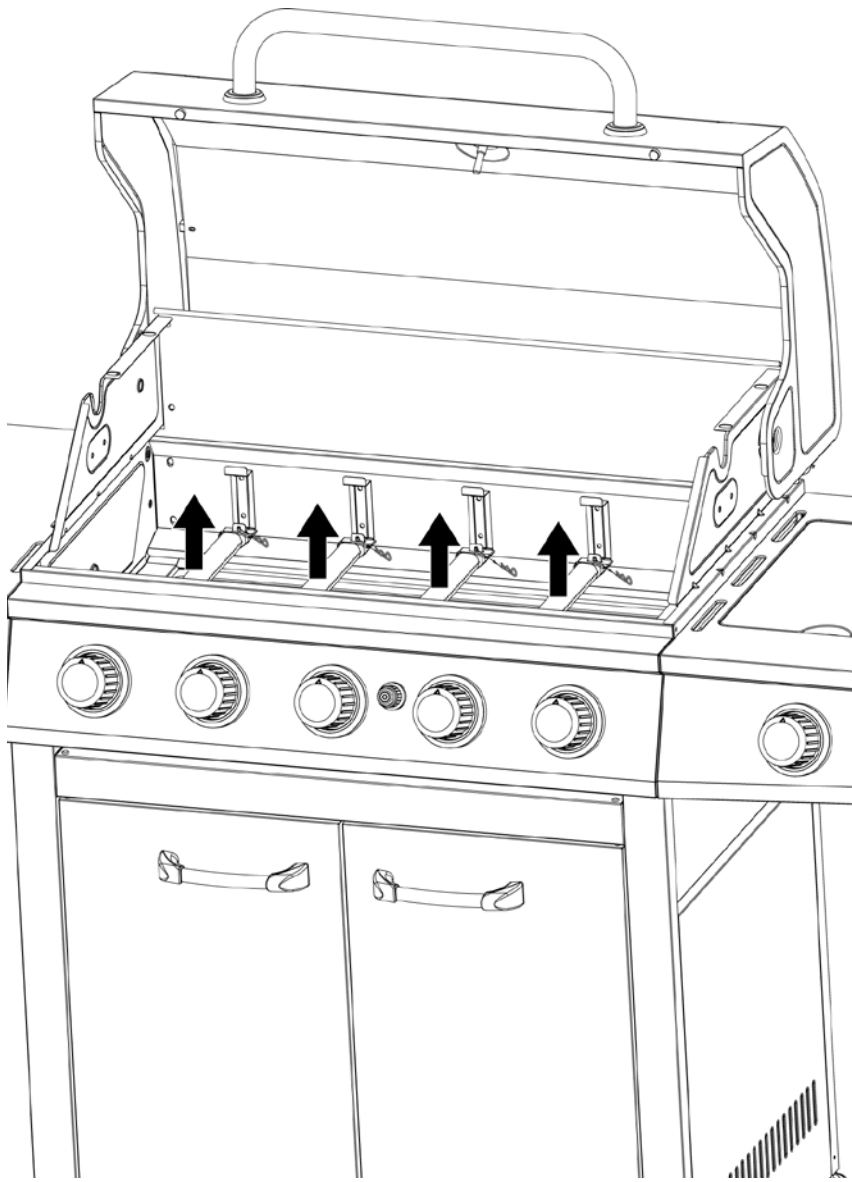


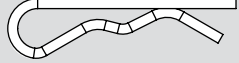


**Instructions de conversion (suite)**

**3**

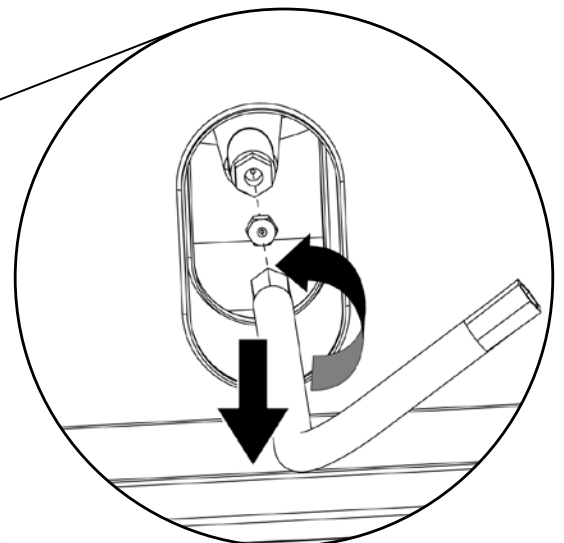
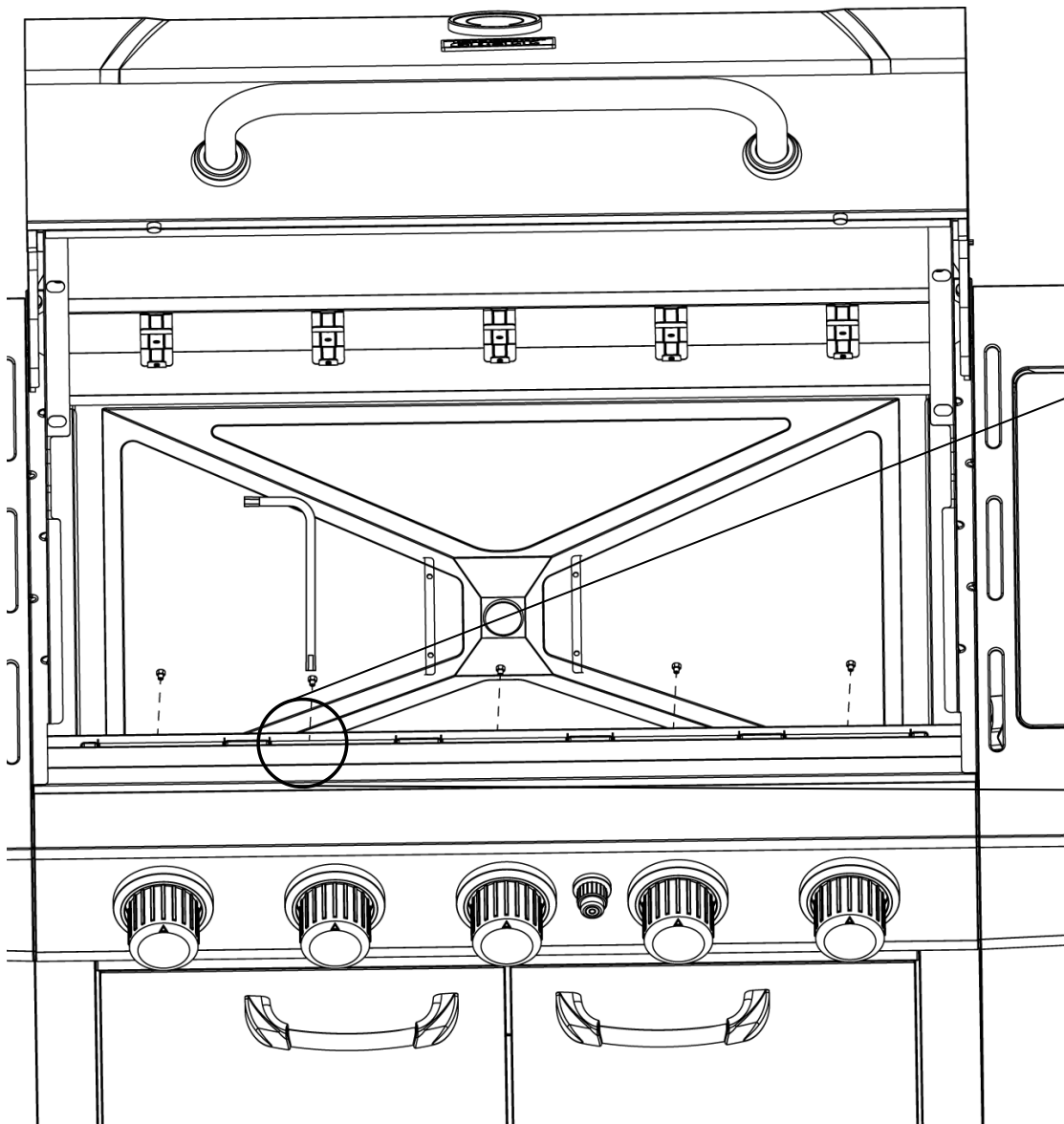
**Retirer les brûleurs**



**B**  x5

**4**

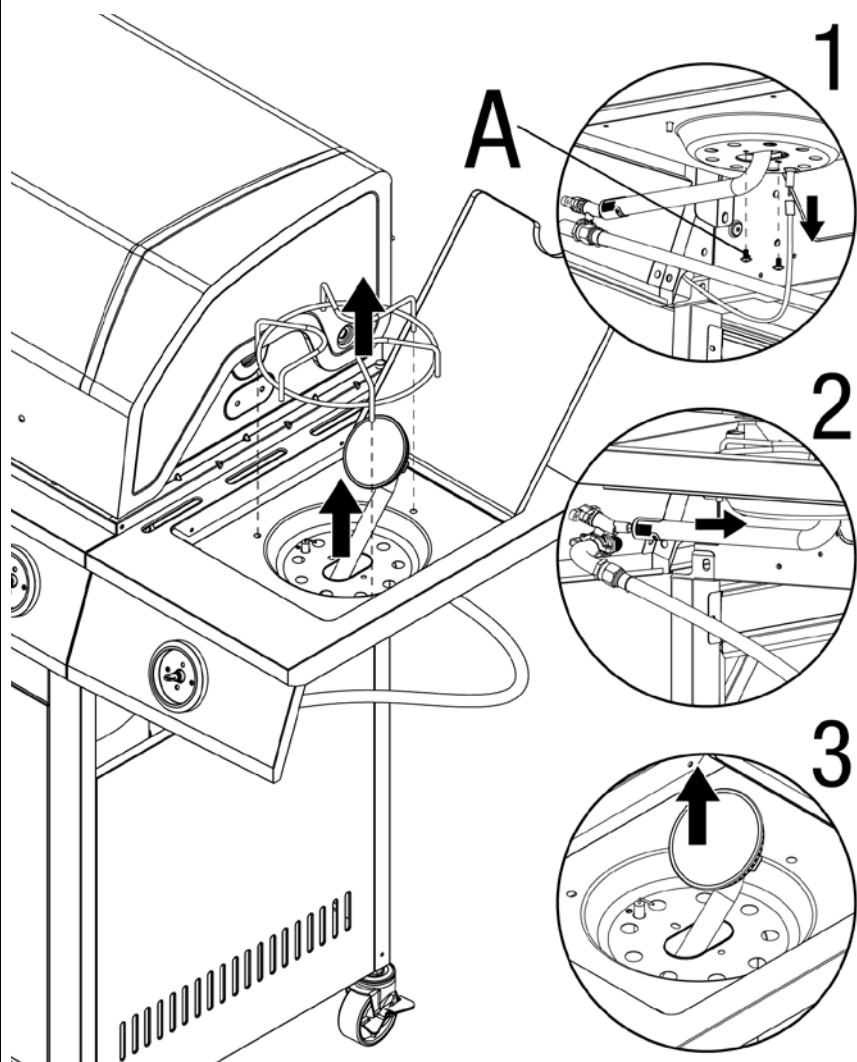
**Retirer les pièces des orifices des brûleurs principaux**



Pour toute assistance, appeler le 1.800.762.1142. Ne pas retourner au point de vente.

5

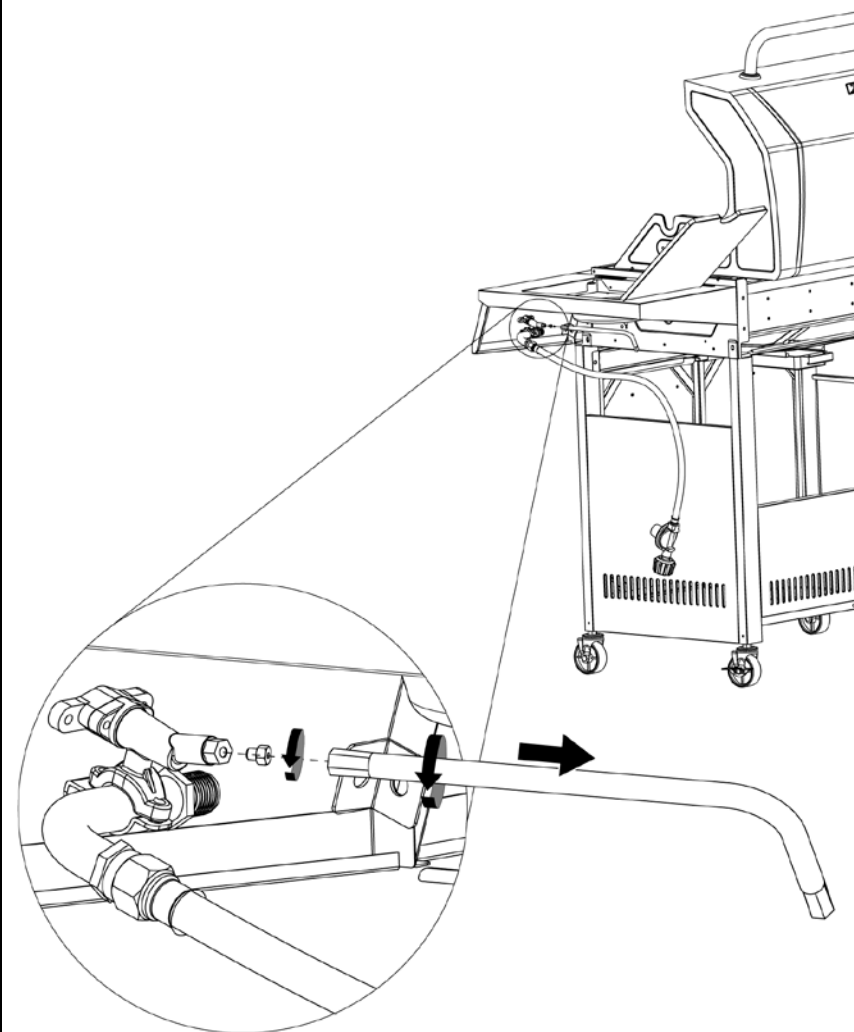
Retirer la grille du brûleur latéral, le fil de l'allumeur et le brûleur latéral



A  x 2

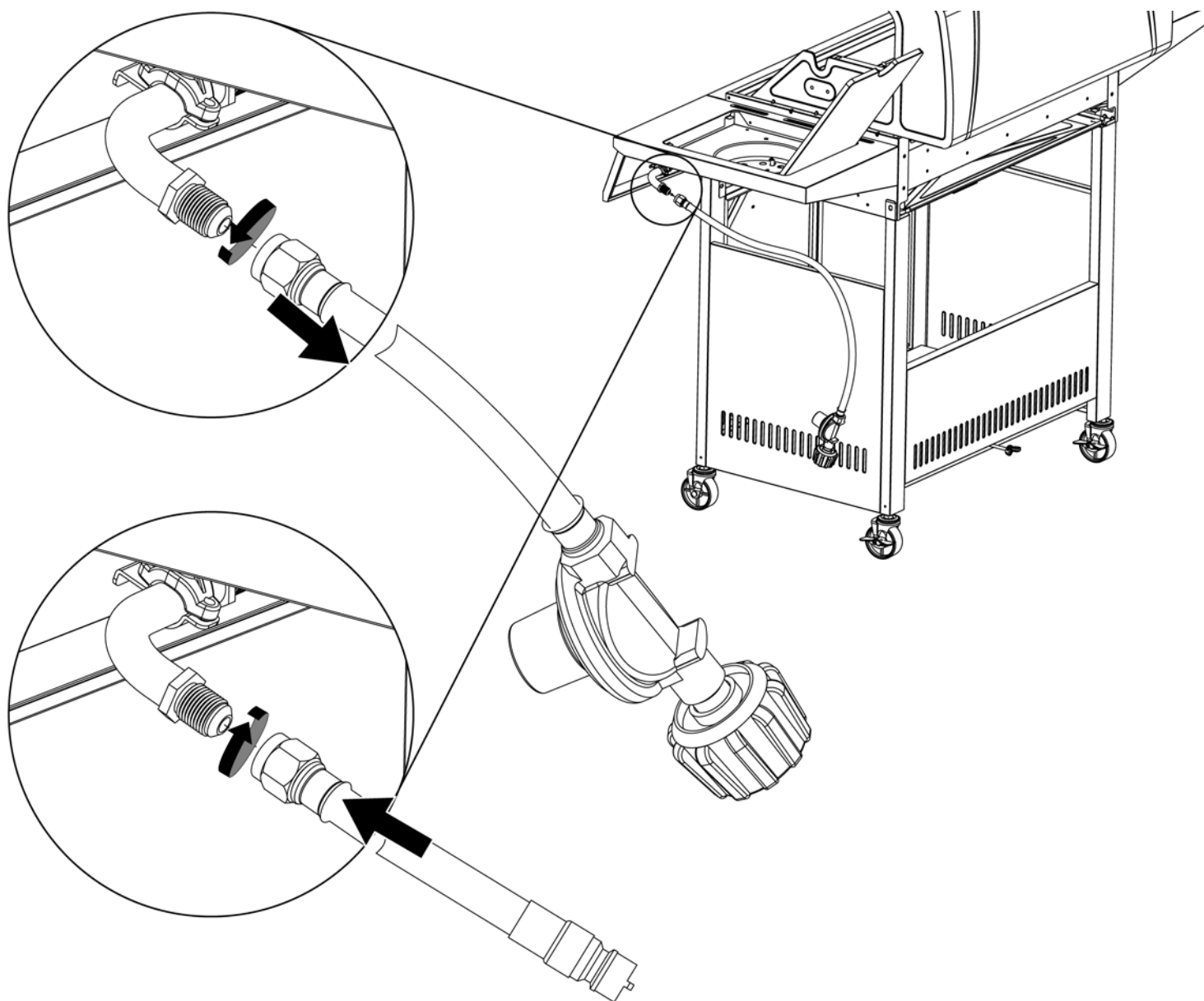
6

Retirer la pièce de l'orifice du brûleur latéral



7

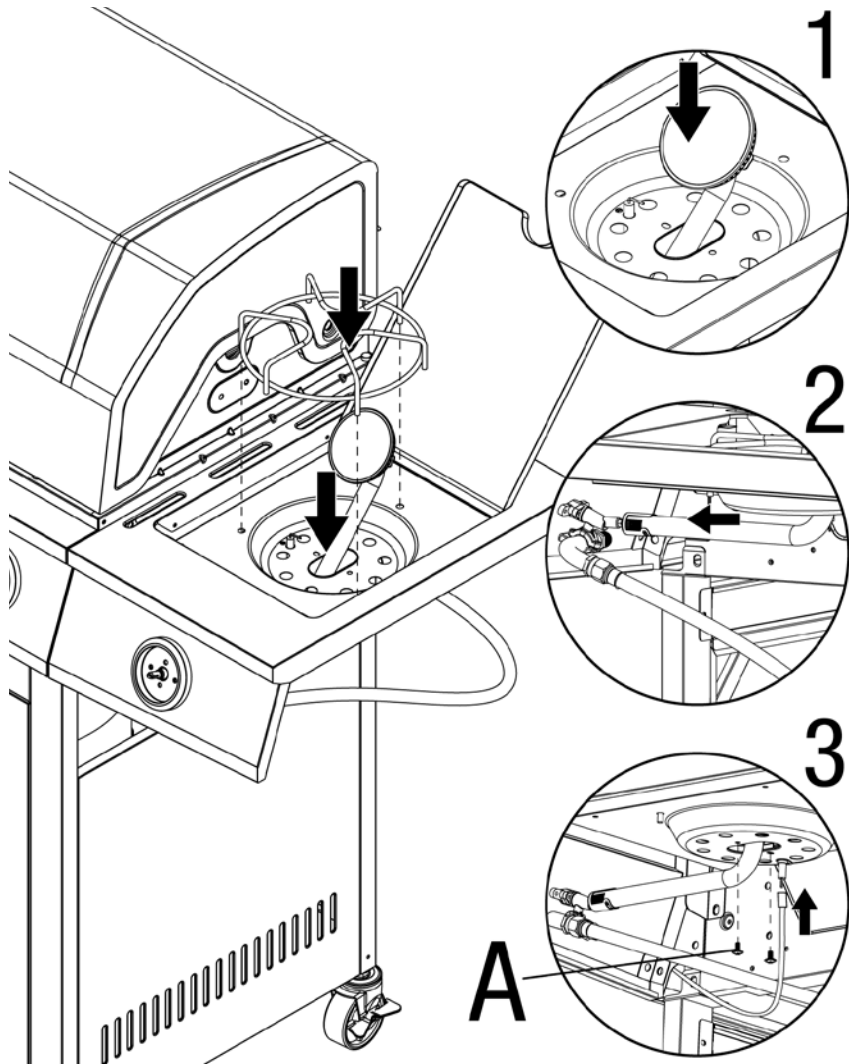
Retirer le régulateur de propane et son tuyau et fixer le tuyau souple d'alimentation en gaz naturel



Instructions de conversion (suite)

8

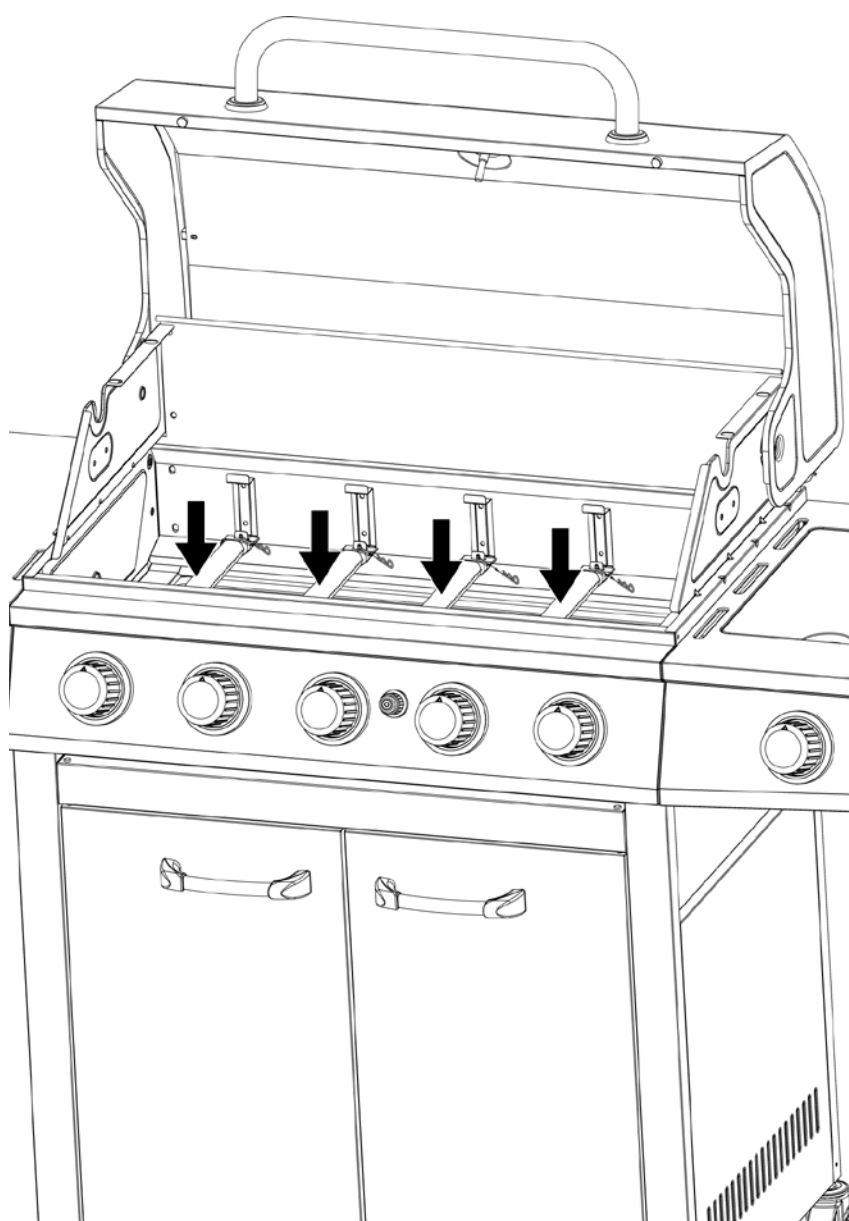
Fixer le brûleur latéral, le fil de l'allumeur et la grille du brûleur latéral

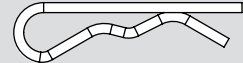


A  x 2

9

Fixer les brûleurs principaux

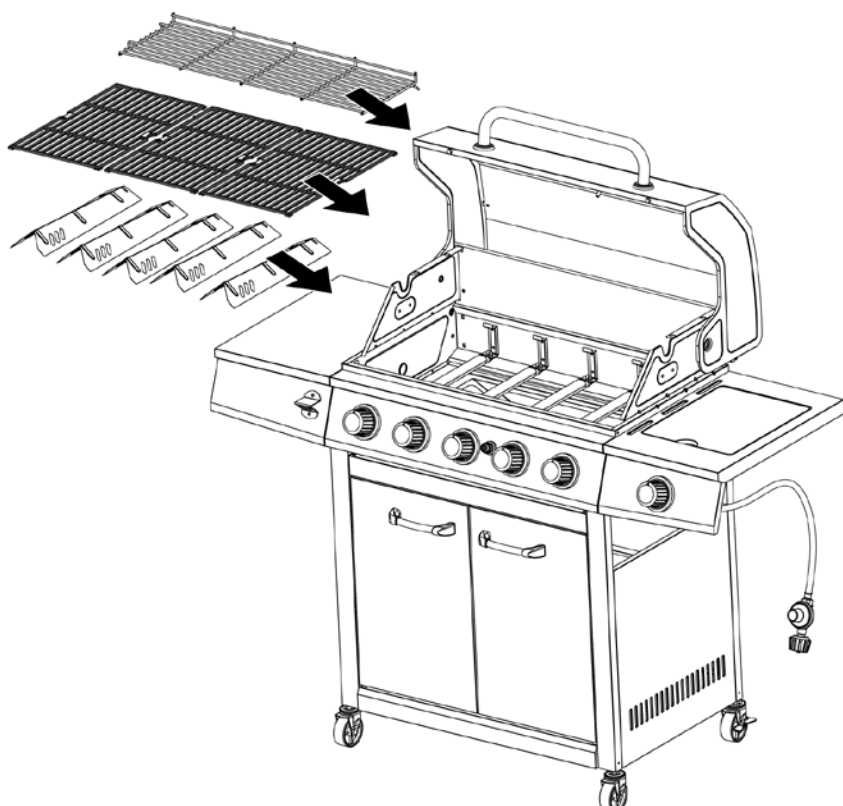


B  x 5



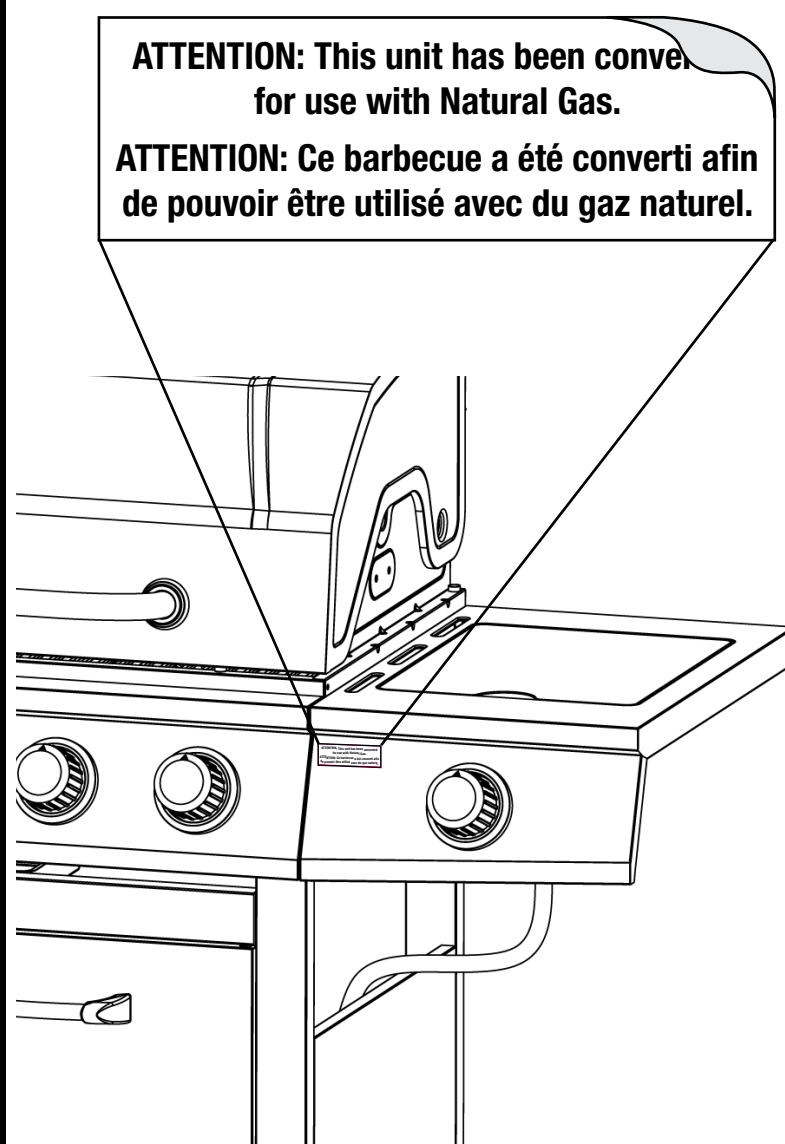
10

Insérer les diffuseurs de chaleur, les grilles de cuisson et la grille de réchauffage



11

Fixer l'étiquette de gaz naturel



12

Effectuer un test d'étanchéité



**DANGER**

En cas d'odeur de gaz:

1. Fermer le robinet de gaz alimentant l'appareil.
2. Éteindre toute flamme.
3. Ouvrir le couvercle
4. Si l'odeur persiste, s'éloigner de l'appareil et contacter immédiatement le fournisseur de gaz ou le service d'incendie.

1. **NE PAS** utiliser le barbecue en cas de fuite de gaz. Toute fuite de gaz risque de provoquer un incendie ou une explosion.
2. Il est impératif de suivre toutes les instructions de détection de fuite avant d'utiliser le barbecue. Pour éviter tout risque d'incendie et d'explosion lorsque vous recherchez une fuite :
  - a. Veiller à toujours effectuer une détection de fuite avant d'allumer le barbecue et à chaque fois que la bouteille de propane ou le tuyau de gaz naturel sont branchés afin d'utiliser le barbecue.
  - b. Interdit de fumer. Ne pas utiliser ni permettre la présence de sources d'inflammation à proximité lorsque vous procédez à une recherche de fuites.
  - c. Effectuer le test d'étanchéité à l'extérieur, dans un endroit bien aéré.
  - d. **NE PAS** utiliser d'allumettes, de briquets ni de flammes pour détecter une fuite.
  - e. **NE PAS** utiliser le barbecue avant d'avoir corrigé toute fuite.

Si vous ne parvenez pas à arrêter une fuite, débranchez la bouteille de propane ou le tuyau d'alimentation en gaz naturel. Appelez un réparateur d'appareils à gaz.

## Installation de la conduite d'alimentation en gaz naturel

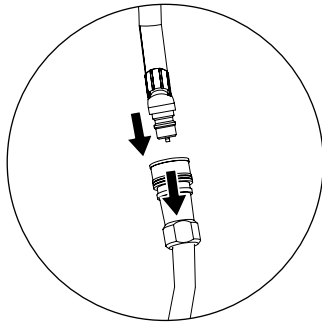
Cette installation devrait être effectuée par un technicien qualifié.

**DANGER: Si de jeunes enfants sont à proximité, un robinet de sécurité muni d'un verrou serait à considérer.**

### Brancher le tuyau de gaz naturel

Avant de procéder au branchement, assurez-vous de l'absence de débris coincés à la sortie de la conduite d'alimentation en gaz naturel, dans le tuyau souple de gaz naturel du barbecue, dans la tête et dans les orifices du brûleur.

Branchez le tuyau souple de gaz naturel du barbecue sur la conduite d'alimentation en gaz naturel.



### Débrancher le tuyau de gaz naturel

Avant de débrancher le tuyau souple de gaz naturel, assurez-vous que le robinet de la conduite d'alimentation en gaz naturel est fermé (OFF).

Débranchez le tuyau souple de gaz naturel du barbecue de la conduite d'alimentation en gaz naturel.

## Fonctionnement

### Rechercher une fuite potentielle

Consultez le manuel d'utilisation de votre barbecue. Si vous ne possédez pas le manuel d'utilisation, appelez le service à la clientèle au 1.800.762.1142 ou consultez notre site [www.bluerhino.com](http://www.bluerhino.com).

#### Raccordement des brûleurs

- Assurez-vous que le régulateur et son tuyau ont été correctement raccordés au brûleur et à la bouteille de gaz.  
Si l'appareil a été assemblé pour vous, vérifiez visuellement le branchement du tube de venturi du brûleur sur l'orifice. Assurez-vous que le tube de venturi du brûleur est correctement placé sur l'orifice.
- ⚠ AVERTISSEMENT: Si vous ne vérifiez pas ce raccord et ne respectez pas ces instructions, vous risquez de provoquer un incendie ou une explosion pouvant entraîner des dégâts matériels, des blessures graves voire la mort.**
- Reportez-vous à l'illustration afin d'effectuer correctement l'installation (illustrations 1, 2 et 4).
- Si le tube du brûleur ne repose pas au ras de l'orifice, veuillez appeler notre service à la clientèle au 1.800.762.1142.

#### Raccordement de la bouteille et du tuyau de gaz

- Préparez une solution d'environ 80 ml destinée à détecter les fuites en mélangeant un volume de liquide à vaisselle et 3 volumes d'eau.
- Assurez-vous que les boutons de commande du barbecue sont tous sur « ARRÊT ». Reportez-vous à l'illustration 3.
- Branchez le tuyau de gaz naturel en suivant les instructions « Installation de la conduite d'alimentation en gaz naturel »
- Ouvrez le gaz au niveau de la conduite principale d'alimentation en gaz naturel.
- Versez quelques gouttes de la solution sur tous les points de raccordement indiqués par un « X » (illustrations 1, 2 et 4).
  - Si des bulles apparaissent, fermez le gaz au niveau de la conduite principale d'alimentation en gaz naturel, desserrez le raccord puis rebranchez en vous assurant qu'il est étanche en effectuant un autre test d'étanchéité.
  - Si des bulles persistent après plusieurs tentatives, fermez le gaz au niveau de la conduite principale d'alimentation en gaz naturel, débranchez le tuyau de gaz naturel et appelez le 1.800.762.1142.
  - S'il n'y a toujours pas de bulles après une minute, fermez le gaz au niveau de la conduite principale d'alimentation en gaz naturel, essayez la solution et continuez.

Illustration 1

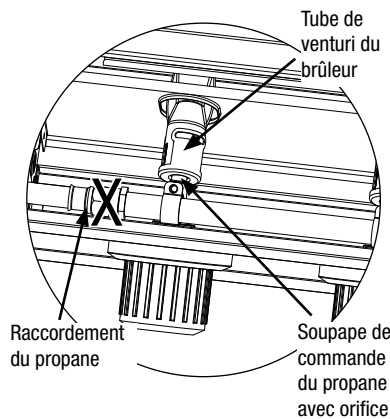


Illustration 2

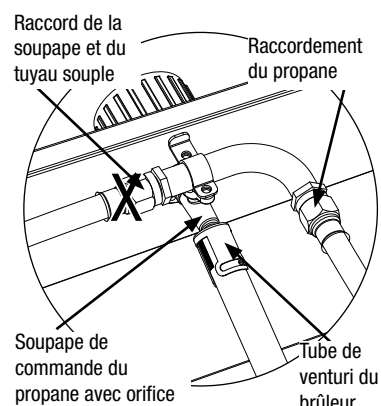


Illustration 3

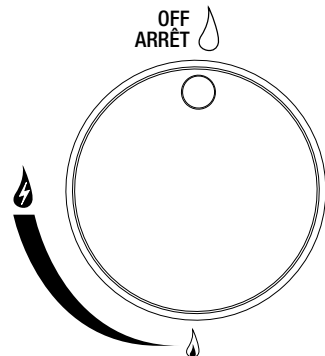
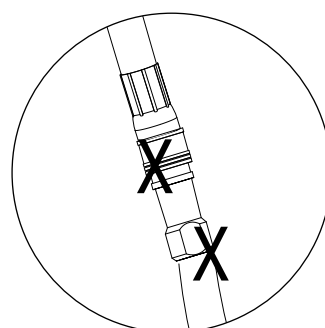


Illustration 4



## Fonctionnement (suite)

### Fonctionnement des brûleurs principaux

Consultez le manuel d'utilisation de votre barbecue. Si vous ne possédez pas le manuel d'utilisation, appelez le service à la clientèle au 1.800.762.1142 ou consultez notre site [www.bluerhino.com](http://www.bluerhino.com)

### Fonctionnement du brûleur latéral

Consultez le manuel d'utilisation de votre barbecue. Si vous ne possédez pas le manuel d'utilisation, appelez le service à la clientèle au 1.800.762.1142 ou consultez notre site [www.bluerhino.com](http://www.bluerhino.com)

## Nettoyage et entretien

Consultez le manuel d'utilisation de votre barbecue. Si vous ne possédez pas le manuel d'utilisation, appelez le service à la clientèle au 1.800.762.1142 ou consultez notre site [www.bluerhino.com](http://www.bluerhino.com)

## Garantie limitée

La société Blue Rhino Global Sourcing, Inc ("le fabricant") garantit cet article au premier acheteur au détail et à aucune autre personne, contre tout vice de matériau et de fabrication pendant un (1) an à partir de la date d'achat si cet article est monté et utilisé conformément aux instructions fournies. Le fabricant vous demandera sans doute une preuve raisonnable d'achat datée, veuillez donc conserver votre facture ou votre reçu. Cette garantie limitée se limitera à la réparation ou au remplacement de pièces ayant été déterminées défectueuses par le fabricant lors de conditions d'utilisation et d'entretien normales. Avant de renvoyer une pièce, contactez le service à la clientèle du fabricant (Customer Service Department). Si le fabricant confirme le défaut de fabrication et approuve la réclamation, ce dernier remplacera gratuitement les dites pièces. Si vous devez renvoyer des pièces défectueuses, les pièces devront être expédiés port-payé. Le fabricant s'engage à renvoyer les pièces à l'acheteur port-payé.

Cette garantie limitée ne couvre pas les pannes et dysfonctionnements survenant suite à tout accident, mauvais usage, entretien incorrect de cet article, ou toute modification, mauvaise installation ou négligence comme il a été établi dans ce manuel. De plus, cette garantie limitée ne couvre pas les dommages au fini, à savoir les rayures, les bosses, les traces de décoloration, de rouille ou les dommages résultant des intempéries après achat de l'article.

Cette garantie remplace toute autre garantie expresse et il n'existe aucune autre garantie expresse à l'exception de la couverture indiquée ici. Le fabricant désavoue toute garantie couvrant des produits ayant été achetés auprès de revendeurs autres que les revendeurs et distributeurs agréés y compris toute garantie de commerciabilité et d'adaptation à un usage particulier. LE FABRICANT DÉCLINE ÉGALEMENT TOUTE GARANTIE IMPLICITE Y COMPRIS TOUTE GARANTIE DE COMMERCIALITÉ ET D'ADAPTATION À UN USAGE PARTICULIER. LE FABRICANT NE POURRA ÊTRE TENU RESPONSABLE PAR L'ACHETEUR OU UN TIERS POUR TOUS DÉGÂTS ET DOMMAGES PARTICULIERS, INDIRECTS, PUNITIFS OU CONSÉCUTIFS. De plus, le fabricant désavoue toute garantie expresse ou implicite et décline toute responsabilité en cas de défaut de fabrication causés par un tiers.

Cette garantie limitée octroie des droits spécifiques à l'acheteur reconnus par la loi et il est possible que ce dernier en possède d'autres selon sa localité. Certaines juridictions ne permettent pas l'exclusion ni la limitation de dommages consécutifs ou accessoires ni la limitation en temps d'une garantie et ces limitations peuvent ne pas être applicables à tous.

Le fabricant ne permet en aucun cas à une personne ou à une société de s'attribuer les responsabilités et les obligations liées à la vente, l'installation, l'utilisation, la dépose ou le remplacement de cet article, et aucune de ces représentations n'engage la responsabilité du fabricant.

Blue Rhino Sourcing, Inc.  
Winston-Salem, North Carolina 27105, États-Unis  
(800)-762-1142