

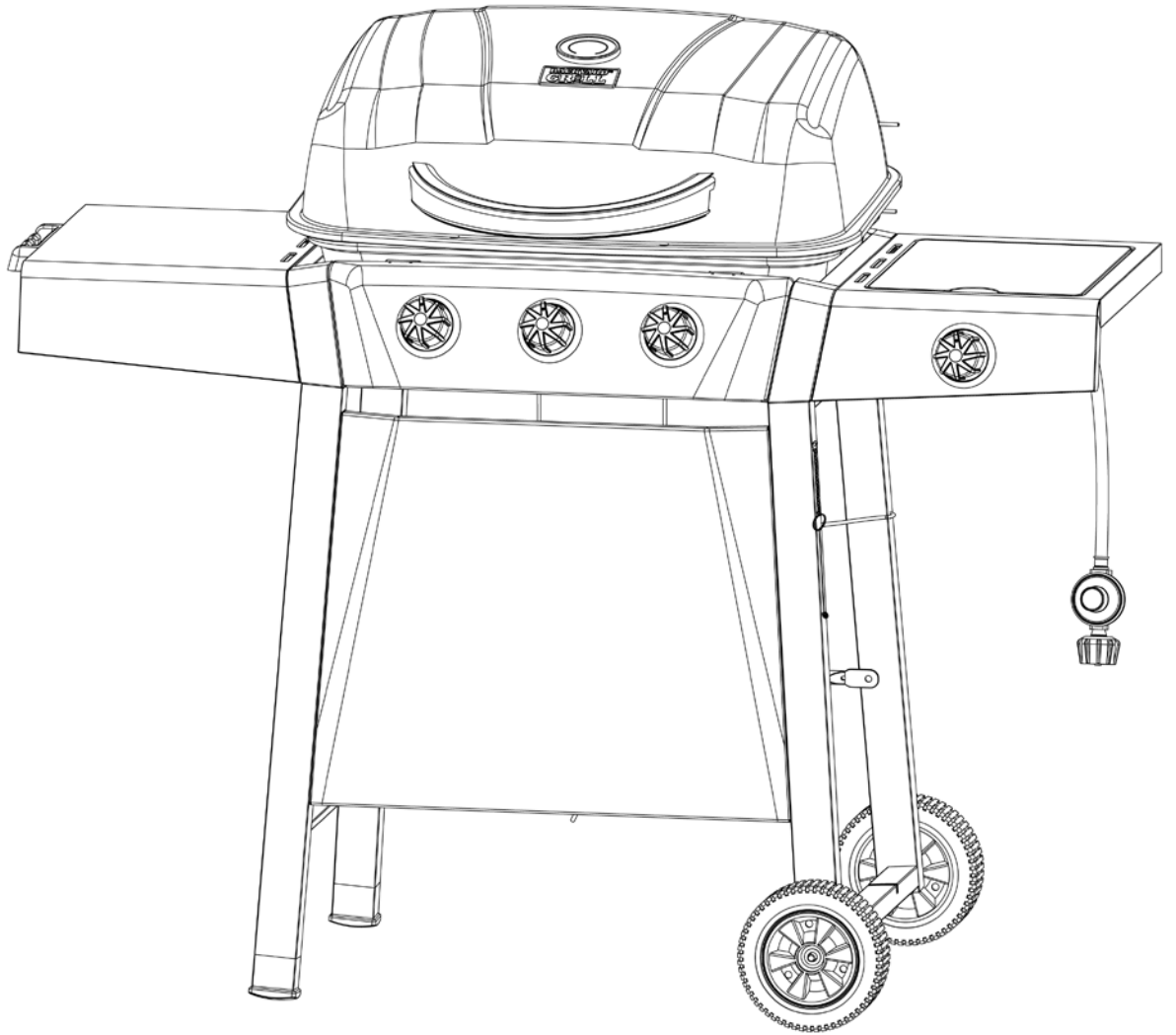
Outdoor LP Gas Barbecue Grill

Model No. GBC1429WBRS, GBC1429WBBS

Need Propane?


Available at:

Walmart 





 **WARNING**
FOR YOUR SAFETY:

For Outdoor Use Only
(outside any enclosure)


 **WARNING**
FOR YOUR SAFETY:

1. Improper installation, adjustment, alteration, service or maintenance can cause injury or property damage.
2. Read the installation, operation, and maintenance instructions thoroughly before installing or servicing this equipment.
3. Failure to follow these instructions could result in fire or explosion, which could cause property damage, personal injury, or death.
4. This instruction manual contains Important information necessary for the proper assembly and safe use of the appliance.
5. Read and follow all warnings and instructions before assembling and using the appliance.
6. Follow all warnings and instructions when using the appliance.
7. Keep this manual for future reference.

 **DANGER**

If you smell gas -

1. Shut off gas to appliance.
2. Extinguish any open flame.
3. Open lid.
4. If odor continues, keep away from the appliance and immediately call your gas supplier or your fire department.

 **WARNING**
FOR YOUR SAFETY:

1. Do NOT store or use gasoline or other flammable liquids or vapors in the vicinity of this or any other appliance.
2. An LP cylinder not connected for use shall NOT be stored in the vicinity of this or any other appliance.

 **DANGER**

Never operate this appliance unattended.

Table of Contents

Important Safeguards	Page 2
Expanded View & Hardware	4
Assembly Instructions	5
Installing LP Gas Tank	9
Operating Instructions	9
Cleaning and Care	10
Product Registration	11
Replacement Parts	11
Limited Warranty	11
Troubleshooting	12

The use and installation must conform with local codes or, in the absence of local codes, with either the *National Fuel Gas Code, ANSI Z223.1/NFPA 54, Natural Gas and Propane Installation Code, CSA B149.1,* or *Propane Storage and Handling Code, B149.2,* or the *Standard for Recreational Vehicles, ANSI A 119.2/NFPA 1192,* and *CSA Z240 RV Series, Recreational Vehicle Code,* as applicable.

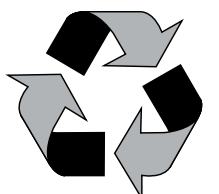
THIS INSTRUCTION BOOKLET CONTAINS IMPORTANT SAFETY INFORMATION. PLEASE READ AND KEEP FOR FUTURE REFERENCE.

If you are assembling this unit for someone else, give this manual to him or her to read and save for future reference.

California Proposition 65: Combustion by-products produced when using this product contain chemicals known to the State of California to cause cancer, birth defects, and other reproductive harm.

California Proposition 65: Wash your hands after handling this product.

California Proposition 65: Handling the brass material on this product exposes you to lead, a chemical known to the State of California to cause cancer, birth defects, or other reproductive harm.



Made from 75% Bagasse
(environmentally friendly sugar
cane pulp by-product)

Important Safeguards

- ▲ **DANGER:** Failure to follow the dangers, warnings and cautions in this manual may result in serious bodily injury or death, or in a fire or an explosion causing damage to property.

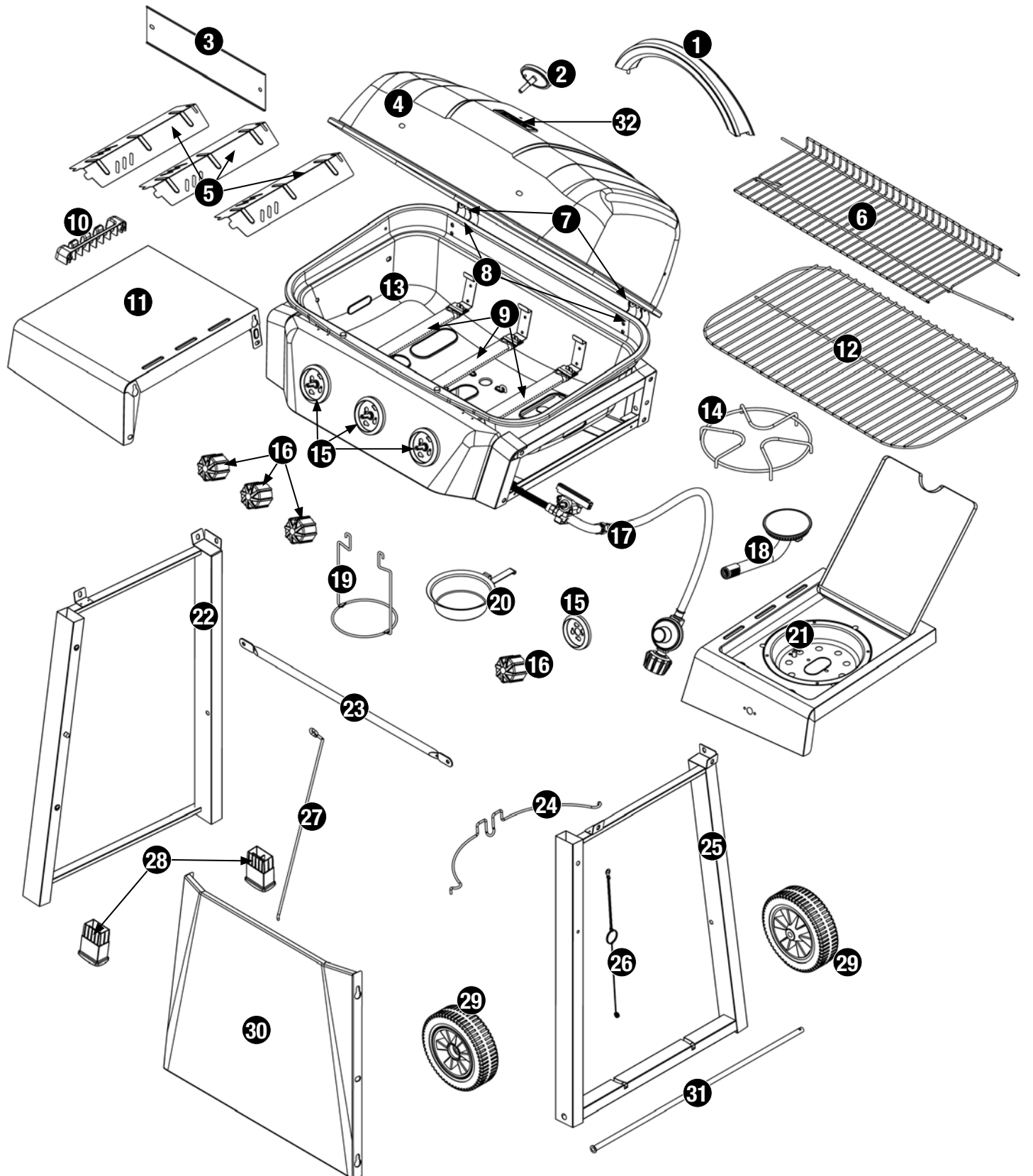
- ▲ **WARNINGS:**
- ▲ This grill is for outdoor use only, and should not be used in a building, garage or any other enclosed area.
- ▲ Do NOT operate, light or use this appliance within ten feet (3.05 m) of walls, structures or buildings.
- ▲ For residential use only. This grill is NOT for commercial use.
- ▲ This grill is not intended for and should never be used as a heater. TOXIC fumes can accumulate and cause asphyxiation.
- ▲ This grill is safety certified for use in the United States and/or Canada only. Do NOT modify for use in any other location. Modification will result in a safety hazard and will void your warranty.
- ▲ This grill is for use with liquid propane (LP) gas only. The conversion to or attempted use of natural gas in this LP gas grill is dangerous, may cause bodily harm and will void your warranty.
- ▲ LP gas characteristics:
 - a. LP gas is flammable and hazardous if handled improperly. Become aware of the characteristics before using any LP gas product.
 - b. LP gas is explosive under pressure, heavier than air, and settles/pools in low areas.
 - c. LP gas in its natural state has no odor. For your safety, an odorant is added that smells like rotten cabbage.
 - d. Contact with LP gas can cause freeze burns to skin.
- ▲ Apartment dwellers: Check with management to learn the requirements and fire codes for using a LP gas grill in your apartment complex. If allowed, use outside on the ground floor with a ten foot (3.05 m) clearance from any structure. Do NOT use on or under balconies.
- ▲ LP gas cylinder needed to operate. Only cylinders marked "propane" may be used.
- ▲ The LP gas cylinder must be constructed and marked in accordance with the *Specifications for LP-gas Cylinders* of the U.S. Department of Transportation (D.O.T.) or the National Standard of Canada, *CAN/CSA-B339, Cylinders, Spheres and Tubes for the Transportation of Dangerous Goods; and Commission*.
- ▲ LP gas cylinder must be arranged for vapor withdrawal.
- ▲ The LP gas cylinder must have a listed overfilling prevention device (OPD).
- ▲ Only use LP gas cylinders equipped with a cylinder connection device compatible with the connection for outdoor cooking appliances.
- ▲ The LP gas cylinder must have a cylinder collar to protect the cylinder valve.
- ▲ Never use an LP gas cylinder with a damaged body, valve, collar or footing.
- ▲ Dented or rusted LP gas cylinders may be hazardous and should be checked by your LP gas supplier prior to use.
- ▲ The LP gas cylinder should not be dropped or handled roughly.
- ▲ LP gas cylinders must be stored outdoors out of the reach of children and must not be stored in a building, garage or any other enclosed area. Your cylinder must never be stored where temperatures can reach over 125°F.
- ▲ Do NOT insert any tool or foreign object into the valve outlet or safety relief valve. You may damage the valve and cause a leak. Leaking propane may result in an explosion, fire, severe personal injury or death.
- ▲ Do NOT block holes in sides or back of grill.
- ▲ Never keep an LP gas cylinder in a hot car or trunk. Heat will cause the gas pressure to increase, which may open the relief valve and allow gas to escape.
- ▲ Place dust cap on cylinder valve outlet whenever the cylinder is not in use. Only install the type of dust cap on the cylinder valve outlet that is provided with the cylinder valve. Other types of caps or plugs may result in leakage of propane.
- ▲ If grill is not in use, the gas must be turned off at the supply cylinder and disconnected.
- ▲ Do NOT store a spare LP gas cylinder under or near this appliance.
- ▲ Never fill the cylinder beyond 80 percent full.
- ▲ A fire causing serious injury or damage to property may occur if the above is not followed exactly.
- ▲ Never attempt to attach this grill to the self-contained LP gas system of a camper trailer, motor home or house.
- ▲ Never use charcoal, lighter fluid, lava rocks, gasoline, kerosene or alcohol with this product.
- ▲ Your grill has been checked at all factory connections for leaks. Re-check all connections as described in the "Operating Instructions" section, as shipping can loosen connections.
- ▲ Check for leaks even if your unit was assembled for you by someone else.
- ▲ Do NOT operate if a gas leak is present. Gas leaks may cause a fire or explosion.
- ▲ You must follow all instructions in the "Checking for Leaks" section before operating. To prevent fire or explosion hazard when testing for a leak:
 - a. Always perform a leak test before lighting the grill and each time the cylinder is connected for use.
 - b. No smoking. Do NOT use or permit sources of ignition in the area while conducting a leak test.
 - c. Conduct the leak test outdoors in a well-ventilated area.
 - d. Do NOT use matches, lighters, or a flame to check for leaks.
 - e. The use of alcohol, prescription or non-prescription drugs may impair the consumer's ability to properly assemble or safely operate the appliance.
 - f. Strong odors, colds, sinus congestion, etc. may prevent the detection of propane. Use caution and common sense when testing for leaks.
 - g. Do NOT use grill until any and all leaks are corrected. If you are unable to stop a leak, disconnect the LP gas supply. Call a gas appliance serviceman or your local LP gas supplier.
- ▲ This grill is designed to operate at an inlet pressure of: 11 inches water column.
- ▲ Do NOT store or use gasoline or other flammable liquids or vapors within 25 feet (7.62 m) of this appliance.
- ▲ Do NOT use in an explosive atmosphere. Keep grill area clear and free from combustible materials, gasoline and other flammable vapors and liquids.
- ▲ Minimum clearance from sides and back of unit to combustible construction is 36 inches (91.4 cm). Do NOT use this appliance under any type of overhang or roof.
- ▲ It is essential to keep the grill's valve compartment, burners and circulating air passages clean.
- ▲ Inspect grill before each use.
- ▲ Do NOT alter grill in any manner. Any alteration will void your warranty.
- ▲ Do NOT use the grill unless it is COMPLETELY assembled and all parts are securely fastened and tightened.
- ▲ Do NOT build this model of grill in any built-in or slide-in construction. Ignoring this warning could cause a fire or an explosion that can damage property and cause serious bodily injury or death.
- ▲ This grill should be thoroughly cleaned and inspected on a regular basis.
- ▲ Clean and inspect the hose before each use of the appliance. If there is evidence of abrasion, wear, cuts or leaks, the hose must be replaced prior to operation.
- ▲ Use only the regulator and hose assembly provided. Use only the replacement regulator and hose assembly specified by Blue Rhino Global Sourcing, Inc.
- ▲ Use only Blue Rhino Global Sourcing, Inc. factory-authorized parts. The use of any part that is not factory-authorized can be dangerous and will void your warranty.
- ▲ Do NOT operate this appliance without reading "Operating Instructions" in this manual.

- ▲ Do NOT touch metal parts of grill until they have completely cooled to avoid burns, unless you are wearing protective gear (pot holders, gloves, BBQ mittens, etc.).
- ▲ Do NOT install or use in or on boats or recreational vehicles.
- ▲ When cooking, fire extinguishing materials should be readily accessible. In the event of an oil/grease fire, do NOT attempt to extinguish with water. Use type BC dry chemical fire extinguisher or smother with dirt, sand or baking soda.
- ▲ Do NOT use grill in high winds.
- ▲ Never lean over the grill when lighting.
- ▲ Do NOT leave a lit grill unattended. Keep children and pets away from grill at all times.
- ▲ Do NOT leave grill unattended while preheating or burning off food residue on high. If grill has not been cleaned, a grease fire can occur that may damage the product.
- ▲ Do NOT place empty cooking vessels on the appliance while in operation.
- ▲ Use caution when placing anything on the grill while the appliance is in operation.
- ▲ Do NOT attempt to move grill when in use. Allow the grill to cool before moving or storing.
- ▲ LP gas cylinder must be properly disconnected and removed prior to moving this grill.
- ▲ Storage of grill indoors is permissible only if the cylinder is disconnected, removed from the grill and properly stored outdoors.
- ▲ Always open grill lid carefully and slowly as heat and steam trapped within grill can cause severe burns.
- ▲ Do NOT attempt to disconnect the gas regulator from the cylinder or any gas fitting while the grill is in use.
- ▲ Always place your grill on a hard, non-combustible, level surface. An asphalt or blacktop surface may not be acceptable for this purpose.
- ▲ Move gas hoses as far away as possible from hot surfaces and dripping hot grease.
- ▲ Keep all electrical cords away from a hot grill.
- ▲ After a period of storage and/or nonuse, check for leaks, burner obstructions and inspect for any abrasion, wear or cuts to the hose.
- ▲ Failure to open lid while igniting the grill's burners, or not waiting 5 minutes to allow the gas to clear if the grill does not light, may result in an explosive flame-up.
- ▲ Never operate grill without its heat plates installed.
- ▲ Always use a meat thermometer to ensure food is cooked to a safe temperature.
- ▲ Use protective gloves when assembling this product.
- ▲ Do NOT force parts together as this can result in personal injury or damage to the product.
- ▲ Never cover entire cooking area with aluminum foil.
- ▲ Deaths, serious injury or damage to property may occur if the above is not followed exactly.

Parts List

1	Handle	55-10-115
2	Temperature Gauge	55-24-429
3	Lid Handle Heat Plate	55-23-618
4	Lid*	55-25-000 (WBRS) 55-24-997 (WBBS)
5	Heat Plate (3)	55-22-094
6	Warming Rack	55-10-116
7	Top Hinge (2)*	55-09-147
8	Bottom Hinge (2)*	55-09-117
9	Burner (3)*	55-23-003
10	Tool Hook	55-11-279
11	Left Side Shelf	55-23-004
12	Cooking Grid	55-23-001
13	Grill Body Assembly*	55-23-005
14	Side Burner Grid	55-10-047
15	Control Knob Bezel (4)	55-24-039
16	Control Knob (4)	55-24-794
17	Regulator/Hose Assembly*	55-11-015
18	Side Burner	55-24-795
19	Grease Cup Support	55-07-316
20	Grease Cup	55-07-315
21	Right Side Shelf	55-24-796
22	Left Cart Frame	55-24-797
23	Cart Frame Support A	55-23-007
24	LP Gas Tank Retainer Wire	55-23-011
25	Right Cart Frame	55-24-798
26	Lighting Rod	55-10-056
27	Cart Frame Support B	55-23-008
28	Foot (2)	55-23-012
29	Wheel (2)	55-07-363
30	Front Panel	55-25-001 (WBRS) 55-24-998 (WBBS)
31	Axle	55-24-800
32	Brand Plate*	55-24-042

* Pre-assembled

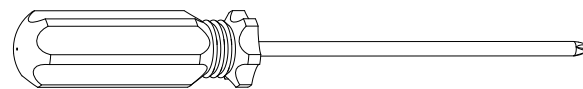
Expanded View

Hardware

A	Screw	M4x10 Nickel Plated Phillips Truss Head	4 pcs
B	Screw	M6x16 Nickel Plated Phillips Truss Head	10 pcs
C	Bolt	M6x16 Nickel Plated Phillips Hex Head	8 pcs
D	Wing Bolt	M6x15 Nickel Plated	1 pc
E	Wing Nut	M6 Nickel Plated	2 pcs
F	Washer	ø6.5x18 Nickel Plated	6 pcs
G	Washer	ø6.5x22 Nickel Plated	2 pcs
H	Lock Washer	ø6.5 Nickel Plated	8 pcs
I	Plug	Black	1 pc

Tools Required for Assembly (Included)

#2 Phillips Head Screwdriver

1 pc



Assembly Instructions

1

DO NOT RETURN TO PLACE OF PURCHASE.

For assistance, call **1.800.762.1142** toll-free. Please have your owner's manual and model number available for reference.

Note: The model number is printed on a label which can be found on the inside door, back or side of the cart assembly.

Assembly Tips:

1. Select an area where you will assemble this product. To protect components, choose a smooth surface that's free of cracks or openings.
2. Spread out all parts.
3. Tighten all hardware connections by hand first. Then, before completing each step, go back and fully tighten all hardware. Be careful not to over-tighten. That could damage surfaces or strip threads.
4. For best results, complete each step in the order presented.

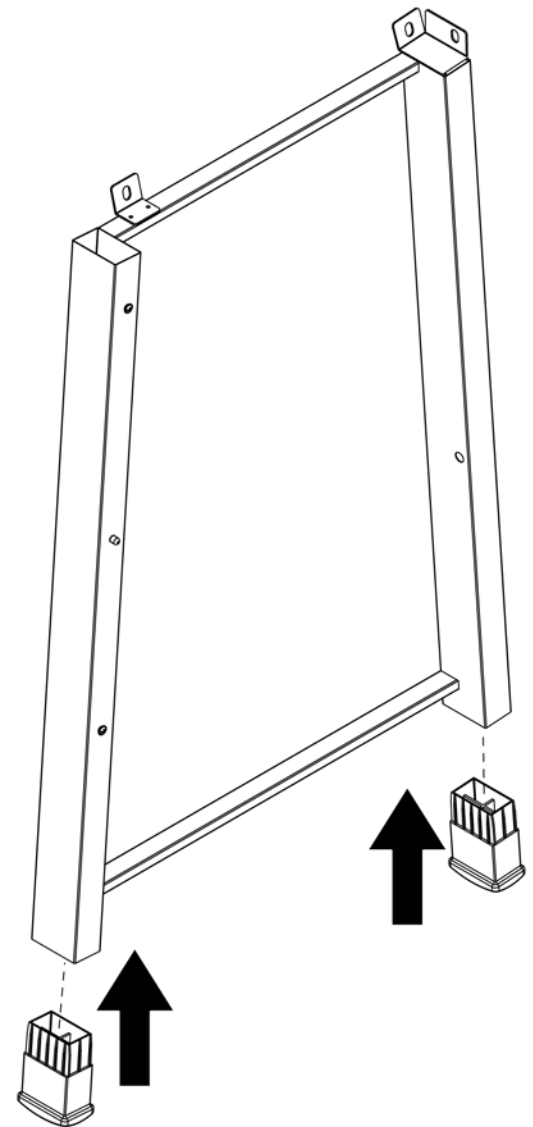
To complete assembly you will need:

- (1) Leak detection solution (instructions on how to make the solution are included in the "Operating Instructions" section of this manual).
- (1) Precision-filled LP gas grill tank with Acme Type 1 external threaded valve connection (standard grill size) (not included).

Typical assembly is approximately one hour.

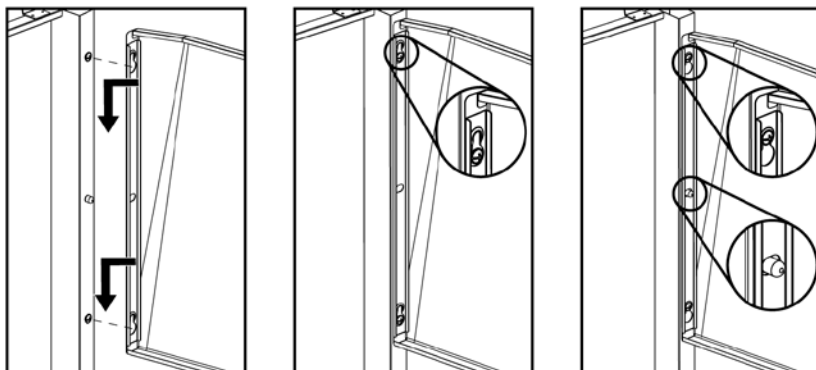
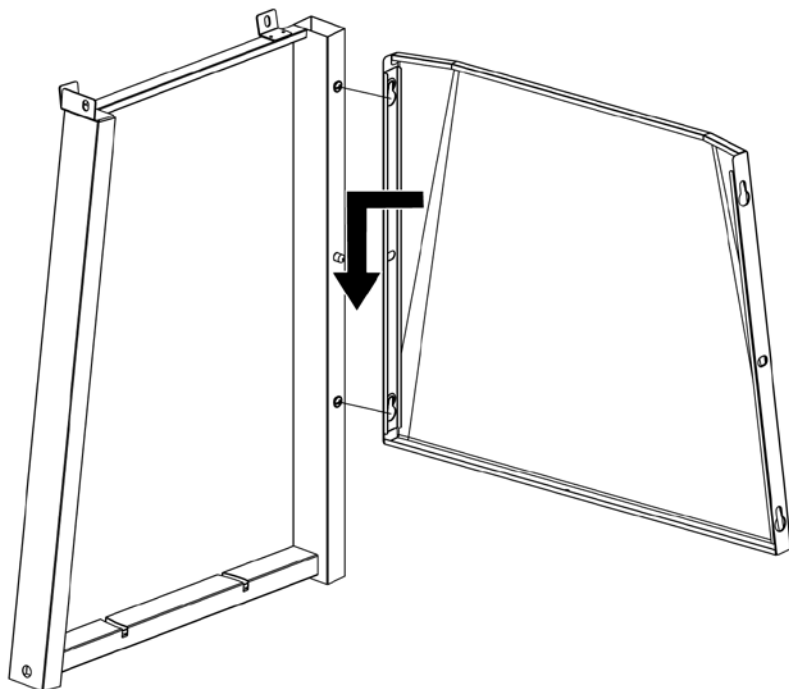
2

Attach Feet



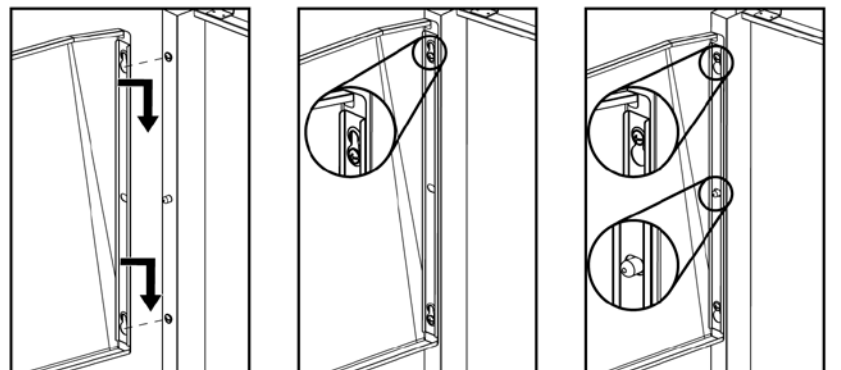
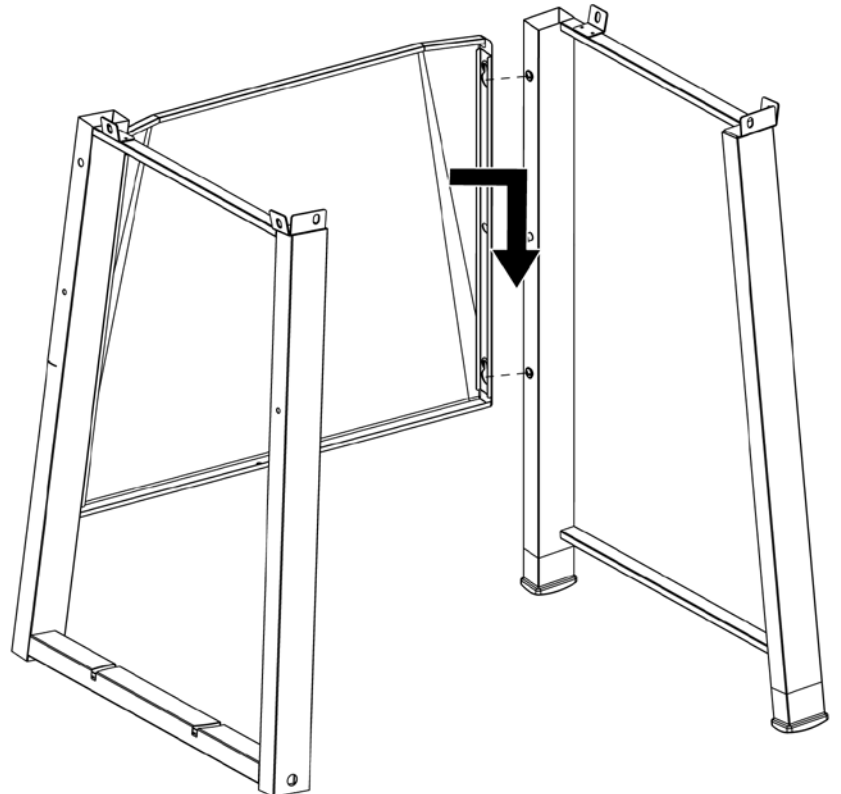
3

Attach Front Panel



4

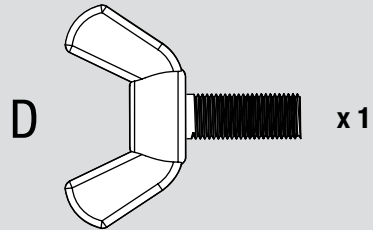
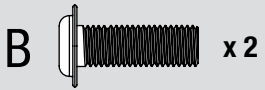
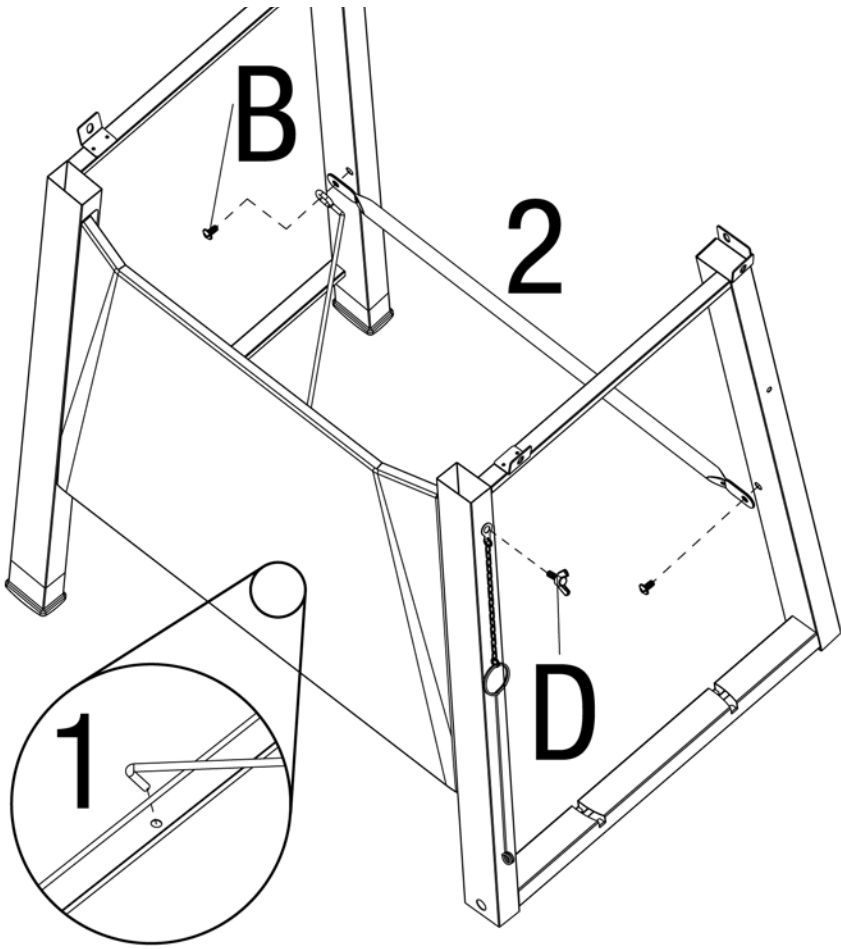
Attach Left Cart Frame



Assembly Instructions (continued)

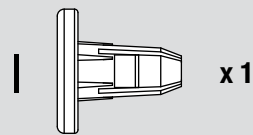
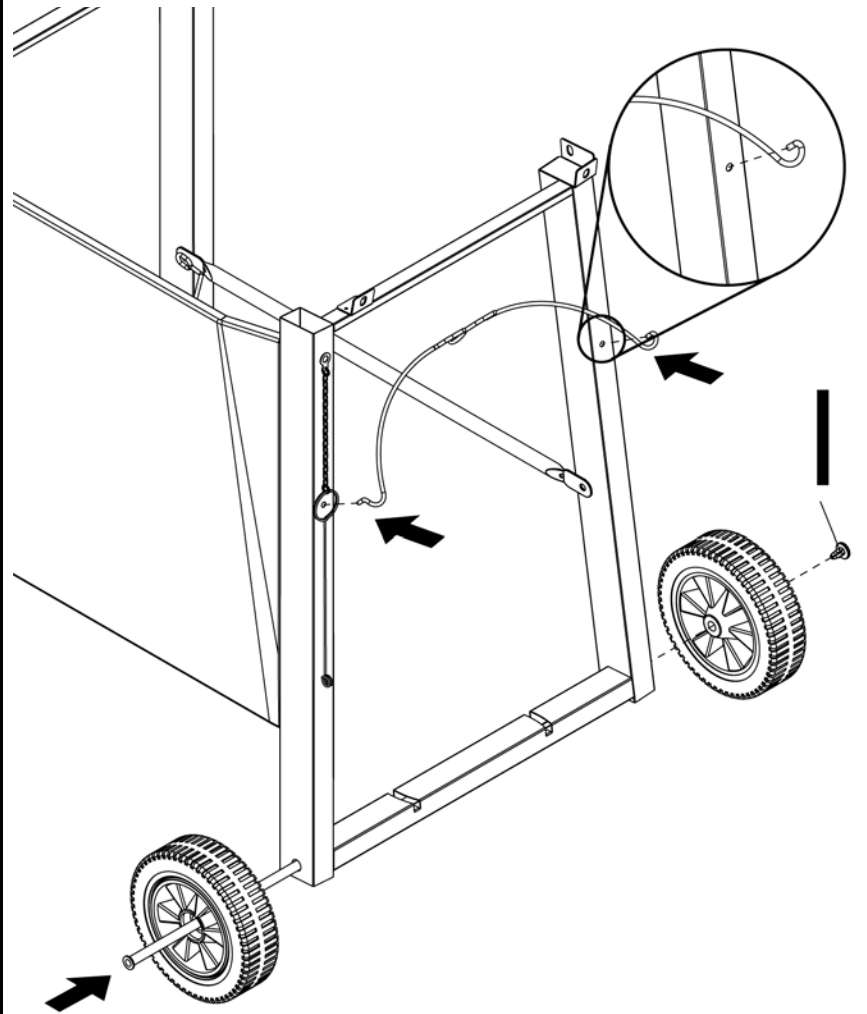
5

Attach Cart Frame Supports A & B



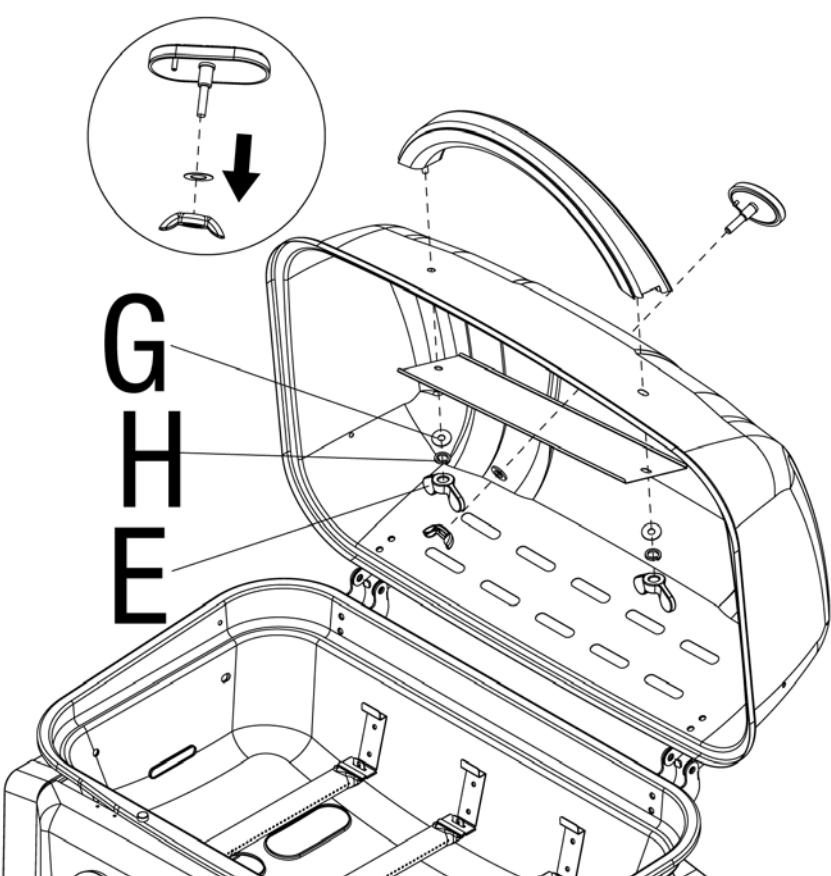
6

Attach Axle, Wheels and LP Gas Tank Retainer Wire



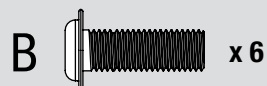
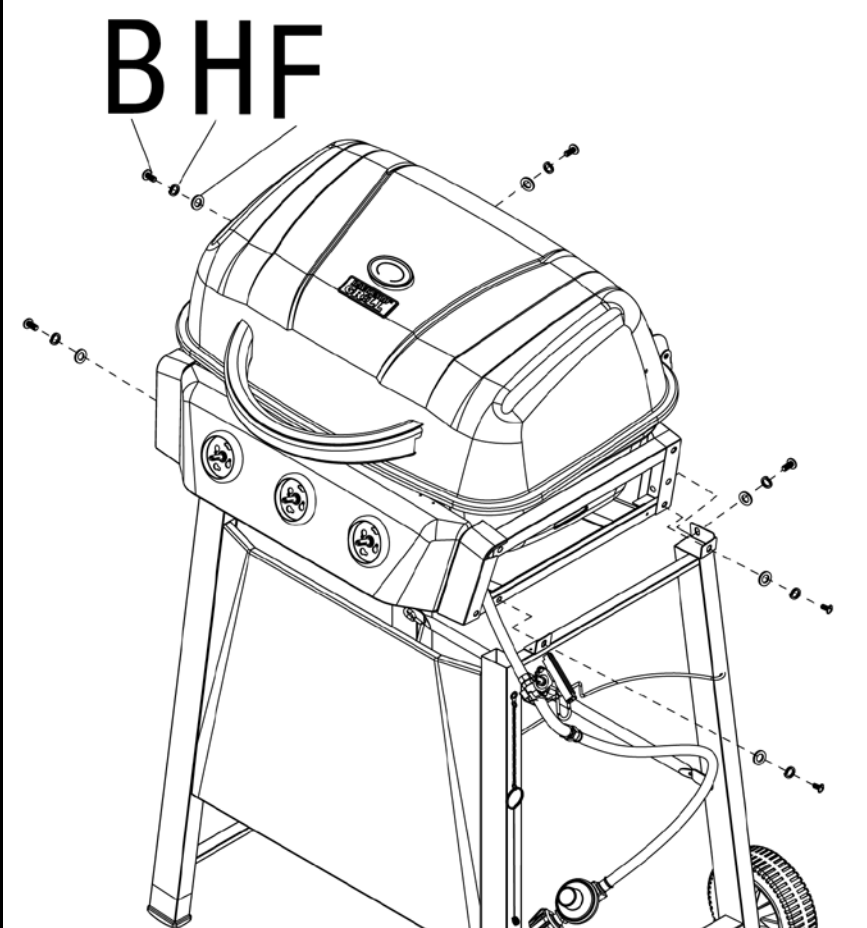
7

Attach Lid Handle Heat Plate, Handle and Temperature Gauge



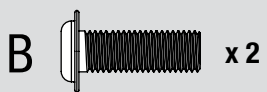
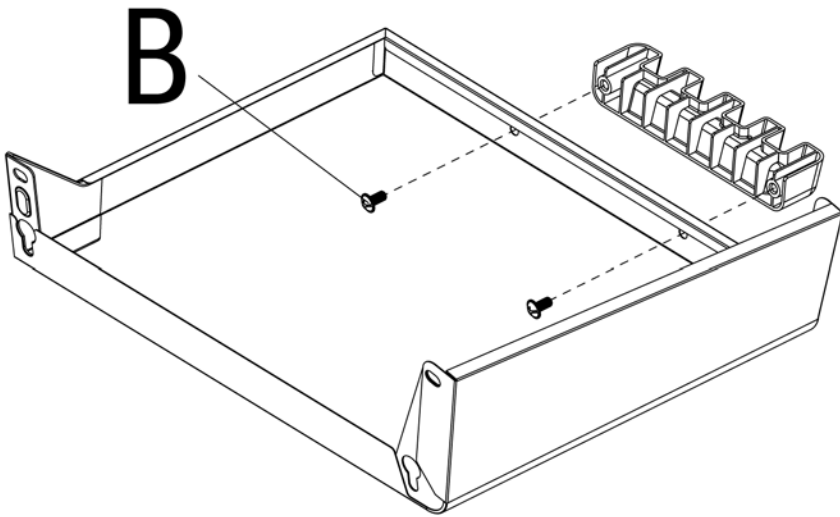
8

Attach Grill Body Assembly



9

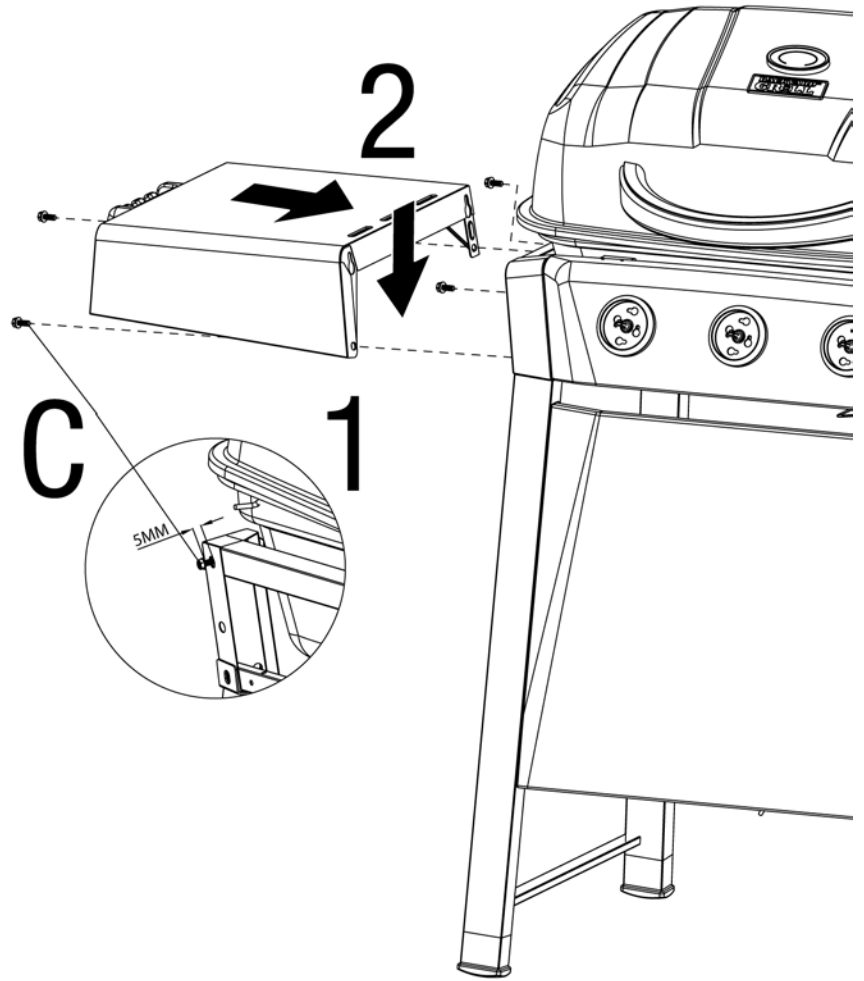
Attach Tool Hook



10

Attach Left Side Shelf

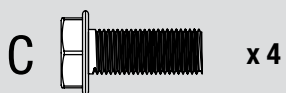
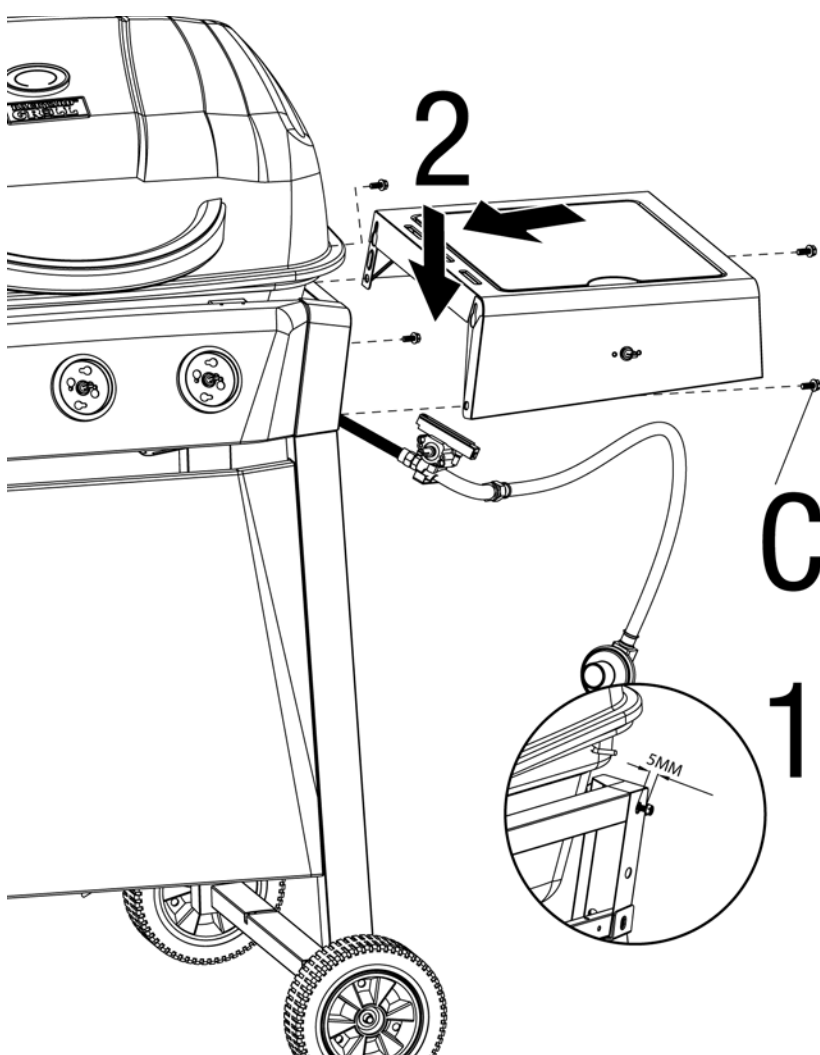
Note: Leave 5 mm of bolt threads exposed.



11

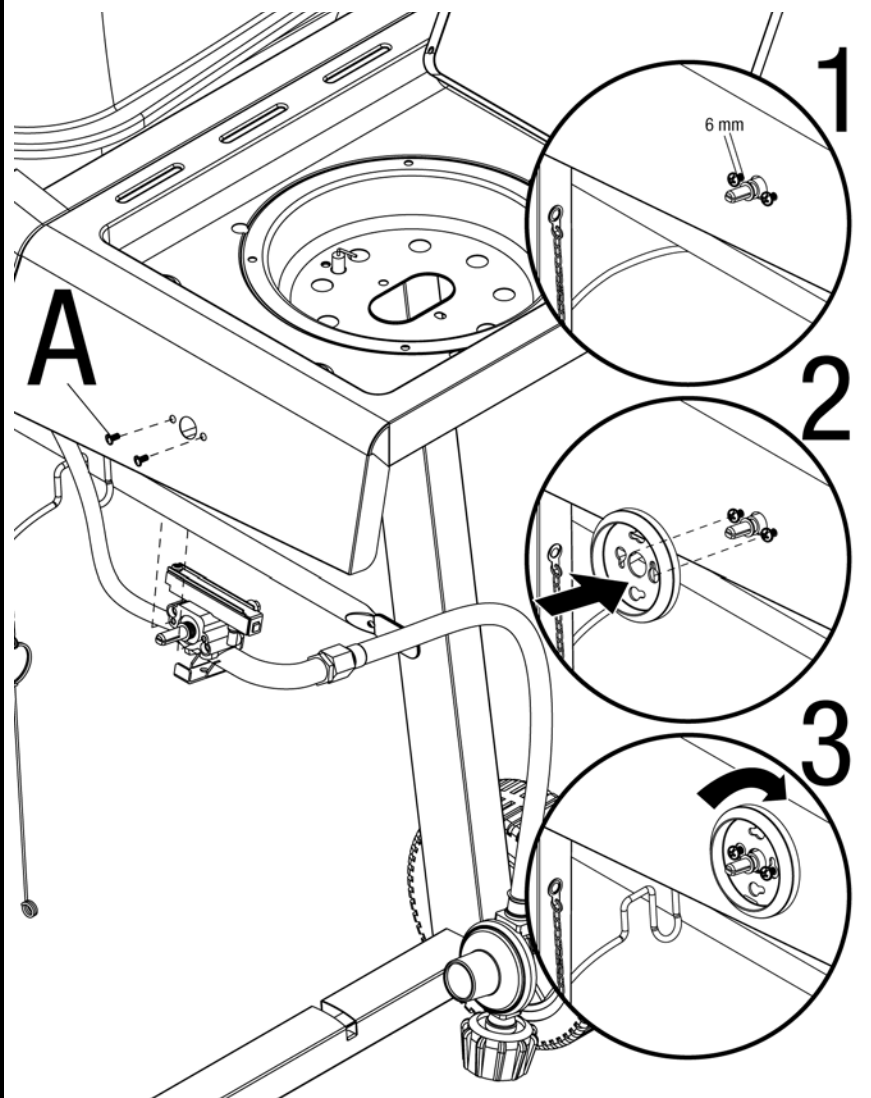
Attach Right Side Shelf

Note: Leave 5 mm of bolt threads exposed.



12

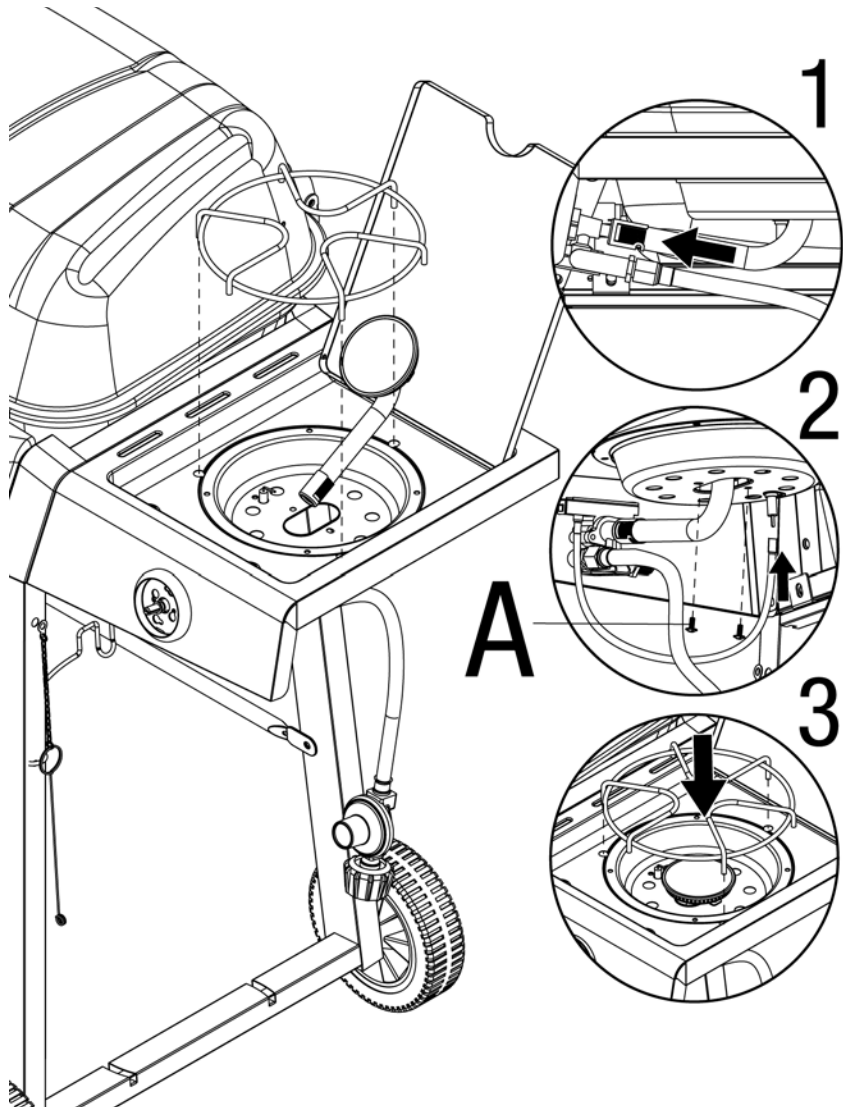
Attach Control Knob Bezel and Side Burner Valve



Assembly Instructions (continued)

13

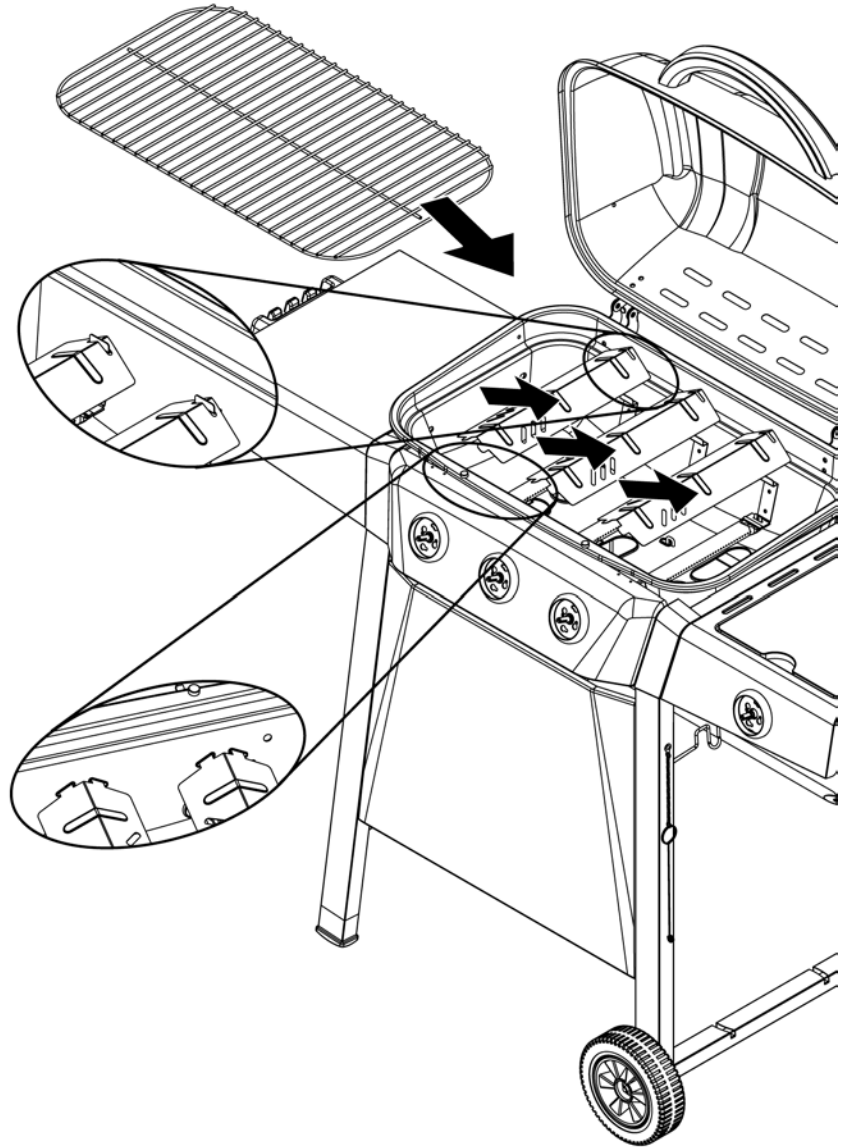
Insert Side Burner, Igniter Wire and Side Burner Grid



A  x2

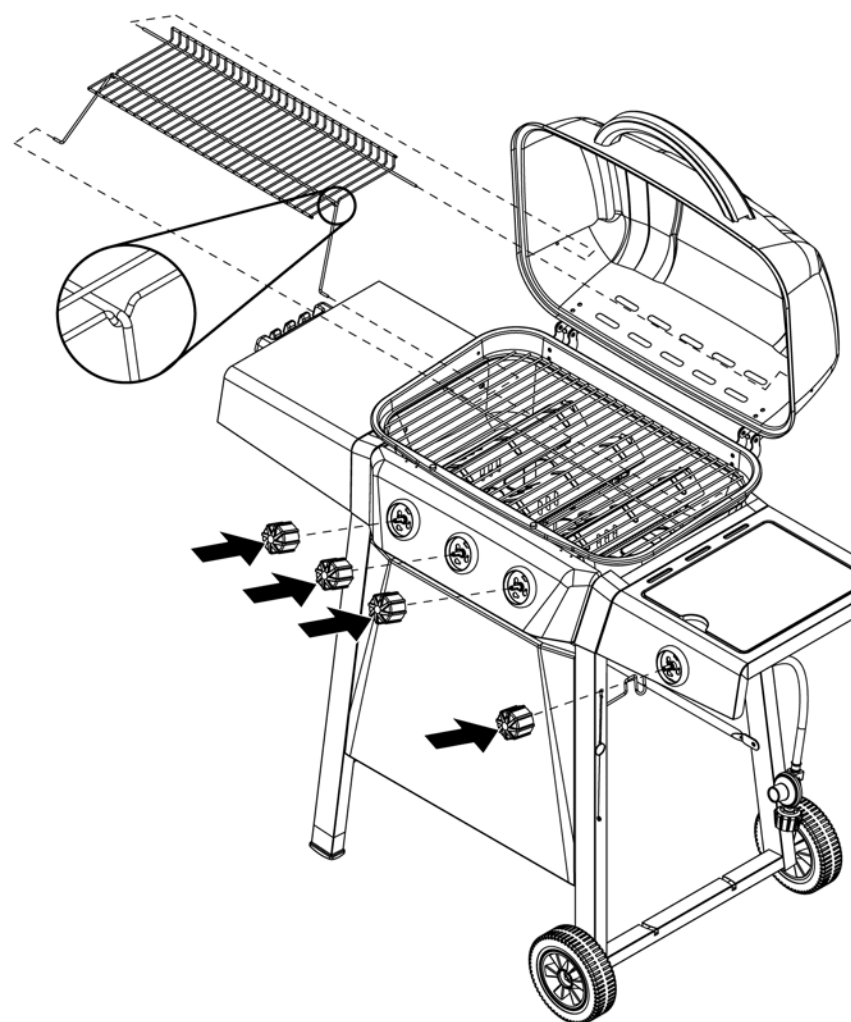
14

Insert Heat Plates and Cooking Grid



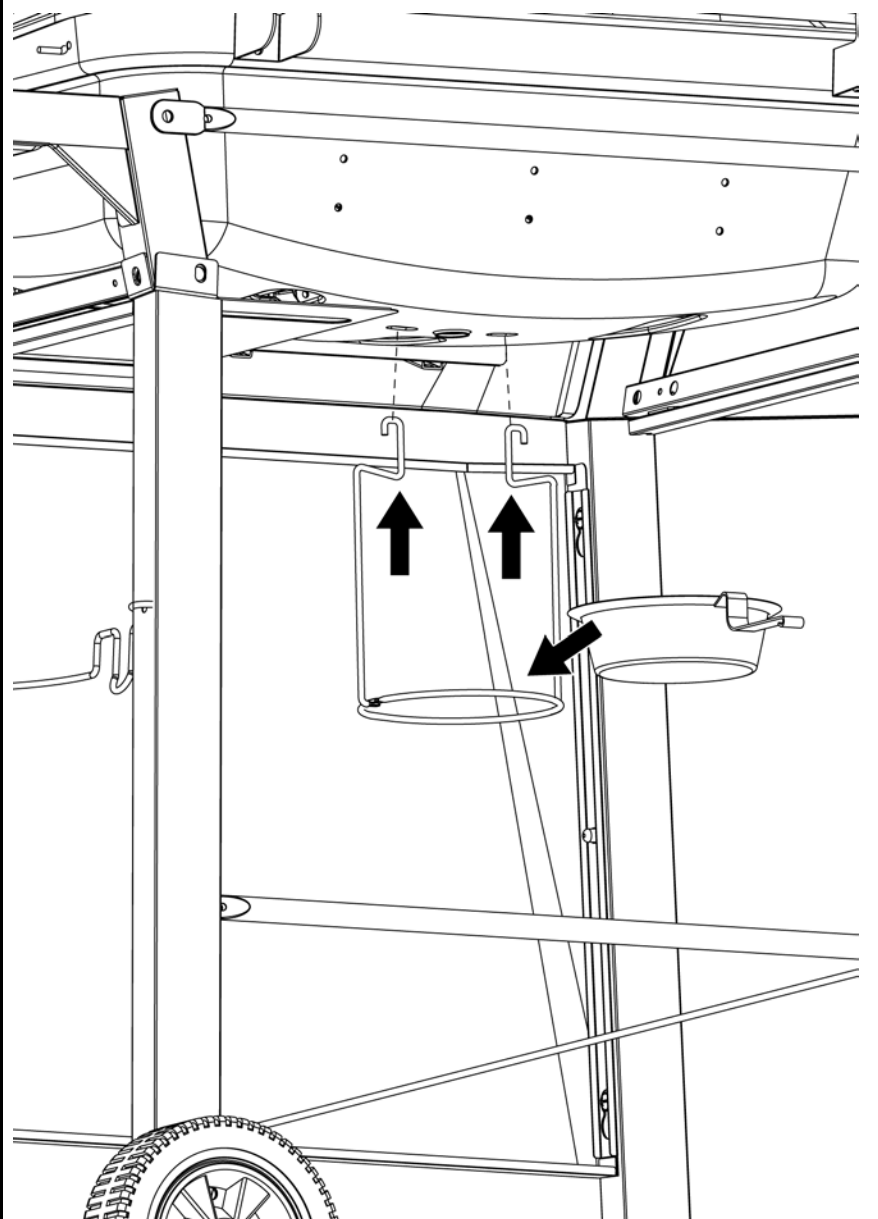
15

Attach Warming Rack and Control Knobs



16

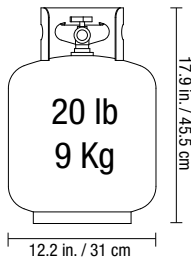
Insert Grease Cup Support and Grease Cup



Installing LP Gas Tank

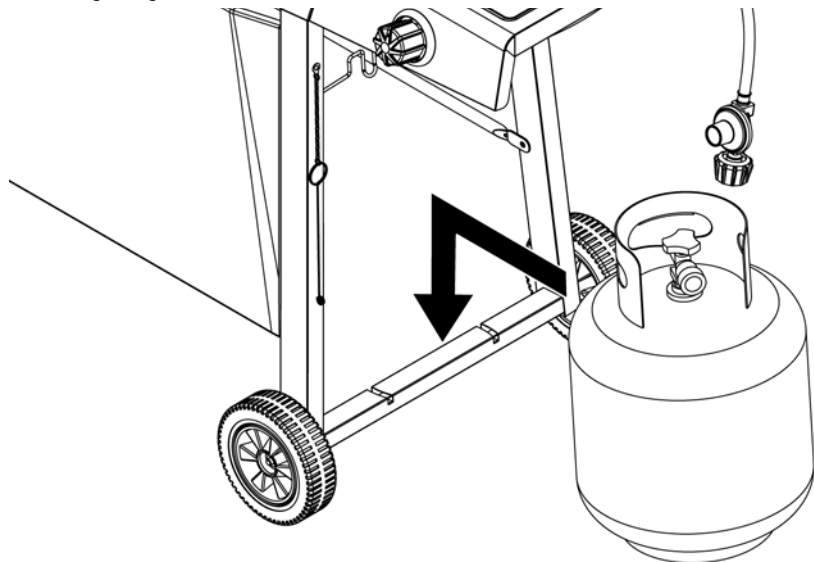
To operate, you will need one precision-filled standard grill LP gas tank with external valve threads.

- ▲ **CAUTION: LP gas tank must be properly disconnected and removed prior to moving this grill.**



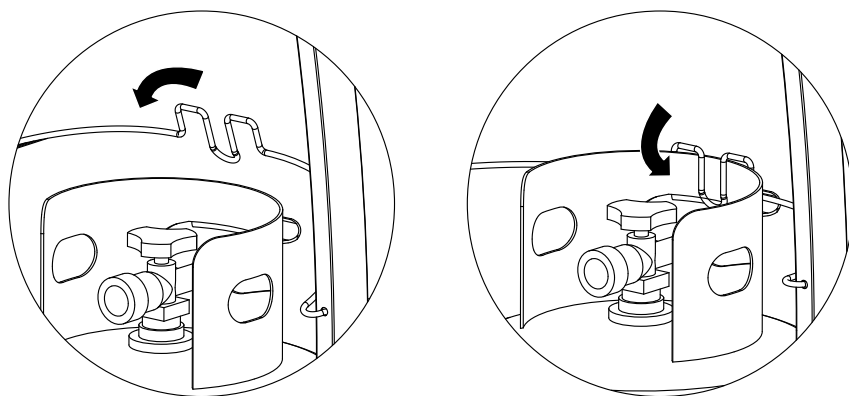
Inserting LP Gas Tank

Place precision-filled LP gas tank upright into the notches in the right cart frame so the tank valve is facing the gas line connection.



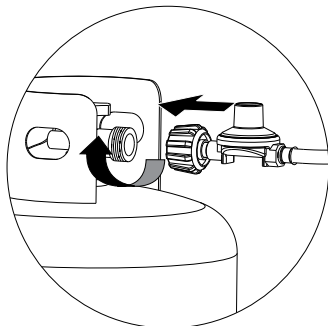
Securing LP Gas Tank

Secure tank by sliding the tank retainer wire over shoulder of LP gas tank.



Connecting LP Gas Tank

- Before connecting, be sure there is no debris caught in the head of the LP gas tank, head of the regulator valve or in the head of the burner or burner ports.
- Connect regulator/hose assembly to tank by turning knob clockwise until it stops.

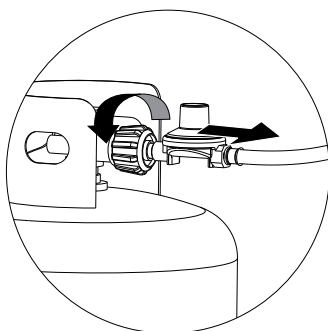


Disconnecting LP Gas Tank

- Before disconnecting, make sure the LP gas tank valve is "CLOSED."
- Disconnect regulator/hose assembly from LP gas tank by turning knob counterclockwise until it is loose.

- ▲ **CAUTION: LP gas tank must be properly disconnected and removed prior to moving this grill.**

- Place the protective cap cover on the LP tank and store the tank outdoors in a well ventilated area out of direct sunlight.



Operating Instructions

Checking for Leaks

Burner Connections

- Make sure the regulator hose and valve connections are securely fastened to the burner and the tank.
- Visually check the connection between the burner/venturi tube and orifice.
- Make sure the burner/venturi tube fits over the orifice.

- ▲ **WARNING: Failure to inspect this connection or follow these instructions could cause a fire or an explosion which can cause death, serious bodily injury or damage to property.**

- Please refer to diagram for proper installation (Figures 1 and 2).
- If the burner/venturi tube does not rest flush to the orifice, as shown, please contact 1.800.762.1142 for assistance.

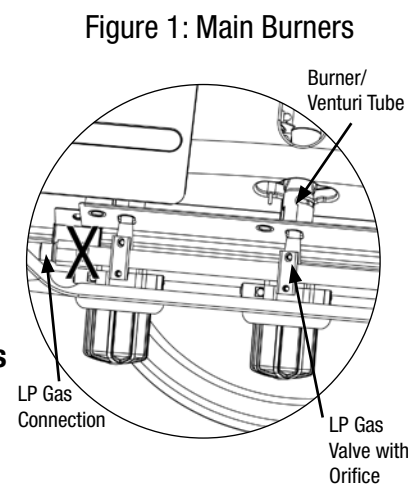


Figure 1: Main Burners

Tank/Gas Line Connection

- Make 2-3 oz. of leak detection solution by mixing one part liquid dishwashing soap with three parts water.
- Make sure control knobs are in the "OFF" position (Figure 3).
- Connect LP gas tank per "Installing LP Gas Tank" section.
- Turn LP gas tank valve to "OPEN."
- Spoon several drops of solution, or use a squirt bottle, at all "X" locations (Figures 1, 2 and 4).
 - If any bubbles appear, turn LP gas tank valve to "CLOSED," reconnect and re-test.
 - If you continue to see bubbles after several attempts, turn LP gas tank valve to "CLOSED" and disconnect LP gas tank, per "Disconnecting LP Gas Tank" section. Contact 1.800.762.1142 for assistance.
 - If no bubbles appear after one minute, turn LP gas tank valve to "CLOSED," wipe away solution and proceed.

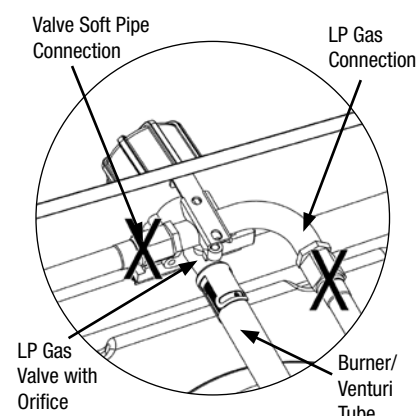


Figure 3

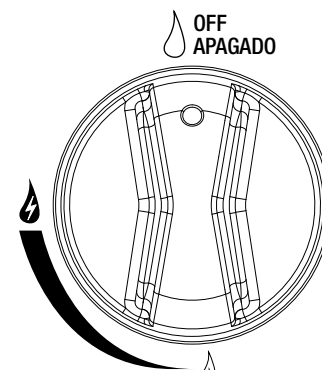
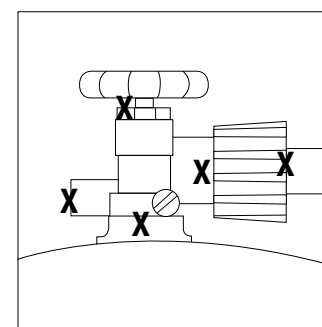


Figure 4

Operating Main Burners

First Use

- Make sure all labels, packaging and protective films have been removed from the grill.
- Remove manufacturing oils before cooking on this grill for the first time by operating the grill for at least 15 minutes on HIGH with the lid closed. This will "heat clean" the internal parts and dissipate odors.



Lighting

- ▲ **CAUTION: Keep outdoor gas cooking appliance area clear and free from combustible materials, gasoline and other flammable vapors and liquids.**
- ▲ **CAUTION: Do NOT obstruct the flow of combustion and ventilation air.**
- ▲ **CAUTION: Check and clean burner/venturi tubes for insects and insect nests. A clogged tube can lead to a fire.**
- ▲ **CAUTION: Attempting to light the burner with the lid closed may cause an explosion.**

- Open lid.
- Check for obstructions of airflow to the burners. Spiders, insects and webs can clog the burner/venturi tube. A clogged burner tube can lead to a fire.
- All control knobs must be in the "OFF" position (Figure 3).
- Connect LP gas tank per "Installing LP Gas Tank" section.
- Turn LP gas tank valve to "OPEN."
- Push and turn any control knob to HIGH. The burner should light. If it does not, repeat up to three times.
- If ignition does not occur in 5 seconds, turn burner control knob "OFF," wait 5 minutes, and repeat lighting procedure.

Need Propane?

Available at:

Walmart



Operating Instructions (continued)

8. If igniter does not light burner, use a lit match secured with the lighting rod (included with grill) to light burners. Access the burners through the cooking grid and heat plates. Position lit match near side of burner (Figure 5).

Important: Always use the lighting rod (included) when lighting burners with a match.

9. After lighting, observe the burner flame. Make sure all burner ports are lit and flame height matches illustration (Figure 6).

Note: Each burner lights independently - repeat steps 5-9 for the other burners.

CAUTION: If burner flame goes out during operation, immediately turn the control knobs to the "OFF" position, LP gas tank valve "CLOSED" and open lid to let the gas clear for 5 minutes before re-lighting.

Turning Off

- Turn LP gas tank valve to "CLOSED."
- Turn all control knobs clockwise to the "OFF" position.
Note: A "poof" sound is normal as the last of the LP gas is burned.
- Disconnect LP gas tank per "Disconnecting LP Gas Tank" section.

Controlling Flare-ups

CAUTION: Putting out grease fires by only closing the lid is not possible.

- If a grease fire develops, turn control knobs to the "OFF" position and LP gas tank valve "CLOSED." Do NOT use water on a grease fire. This can cause the grease to splatter and could result in serious burns, bodily harm or other damage.
- Do NOT leave grill unattended while preheating or burning off food residue on (HIGH). If grill has not been cleaned, a grease fire can occur.

WARNING: When cooking, fire extinguishing materials should be readily accessible. In the event of an oil/grease fire, use type BC dry chemical fire extinguisher or smother with dirt, sand or baking soda. Do NOT attempt to extinguish with water.

Flare-ups are a part of cooking meats on a grill and add to the unique flavor of grilling.

Excessive flare-ups can over-cook your food and be dangerous.

Important: Excessive flare-ups result from the build-up of grease in the bottom of your grill.

If a grease fire occurs, close the lid **AND** turn the control knob(s) to "OFF" until the grease burns out. Be careful when opening the lid as sudden flare-ups may occur.

If excessive flare-ups occur, **do NOT** pour water onto the flames.

Minimize Flare-ups:

- Trim excess fat from meats prior to cooking.
- Cook high fat content meats on (LOW) setting or indirectly.
- Ensure that your grill is on a hard, level, non-combustible surface and the grease is allowed to drain into grease receptacle.

Operating Side Burner

NOTE: Side burner can be used while main burners are operating.
Never use side burner as a grill.

- CAUTION:** Maximum weight for side burner and side shelf is 33 lbs.
- CAUTION:** Using pots larger than 6 quarts in capacity could exceed weight limit of the side burner shelf, resulting in failure of grill cart components.
- CAUTION:** Do NOT lean on the side burner shelf.
- CAUTION:** Attempting to light the burner with the lid closed may cause an explosion.

Lighting

- Open lid.
- Check for obstructions of airflow to the burners. Spiders, insects and webs can clog the burner/venturi tube. A clogged burner tube can lead to a fire.
- Control knob must be in the "OFF" position (Figure 3).
- Connect LP gas tank per "Installing LP Gas Tank" section.
- Turn LP gas tank valve to "OPEN."
- Push and turn control knob to (HIGH). The burner should light. If not, repeat up to three times.
- If ignition does not occur in 5 seconds, turn burner control knob "OFF," wait 5 minutes and repeat lighting procedure.

Figure 5

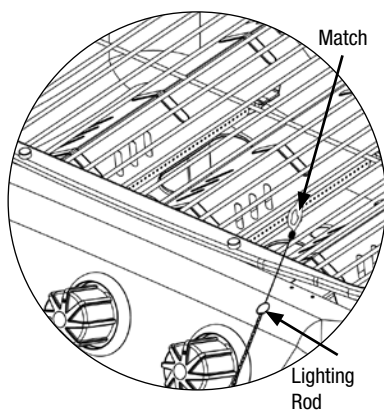
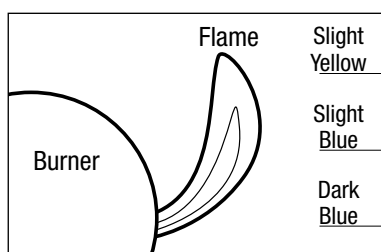


Figure 6



8. If igniter does not light burner, use a lit match secured with the lighting rod (included with grill) to light burners. Position the lit match near side of the burner (Figure 7).

Important: Always use the lighting rod (included) when lighting burner with a match.

9. After lighting, observe the burner flame. Make sure all burner ports are lit and flame height matches illustration (Figure 6).

CAUTION: If burner flame goes out during operation, immediately turn the control knob to the "OFF" position and LP gas tank valve "CLOSED" and open lid to let the gas clear for 5 minutes before re-lighting.

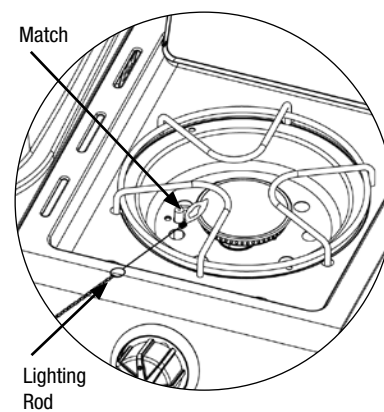
Turning Off

- Turn LP gas tank valve to "CLOSED."
- Turn control knob clockwise to the "OFF" position.
Note: A "poof" sound is normal as the last of the LP gas is burned.
- Disconnect LP gas tank per "Disconnecting LP Gas Tank" section.

Cooking

- Open lid and ignite the side burner per "Lighting" instructions.
- Adjust control knob to desired flame height.
- Place pan on center of grid.
- Cook and adjust temperature as needed.
- Turn grill off per "Turning Off" instructions.

Figure 7



Cleaning and Care

CAUTION:

- All cleaning and maintenance should be done when grill is cool and with the fuel supply disconnected.
- Do NOT clean any grill part in a self-cleaning oven. The extreme heat will damage the finish.
- Do NOT enlarge valve orifices or burner ports when cleaning the valves or burners.

Notices

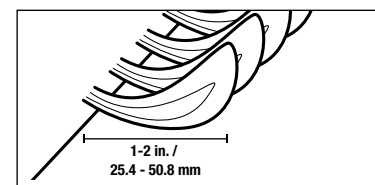
- This grill should be thoroughly cleaned and inspected on a regular basis.
- Abrasive cleaners will damage this product.
- Never use oven cleaner to clean any part of grill.

Before Each Use:

- Keep the grill area clean and free from any combustible materials, gasoline, and other flammable vapors and liquids.
- Do NOT obstruct the flow of the combustion of LP gas and the ventilation of air.
- Keep the ventilation opening(s) of the LP gas tank area free and clear from debris.
- Visually check the burner flames to make sure your grill is working properly (Figure 8).
- See sections below for proper cleaning instructions.
- Check for obstructions of airflow to the burners. Spiders, insects and webs can clog the burner/venturi tube. A clogged burner tube can lead to a fire.

Burner Flame Conditions

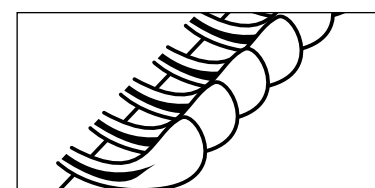
Use this chart to see if your burners need to be cleaned.



Normal: Soft blue flames with yellow tips between 1 in. - 2 in. height.

Cleaning Surfaces

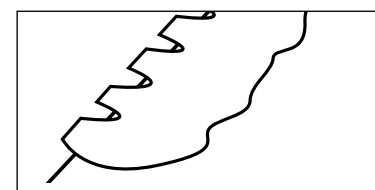
- Wipe surfaces clean with mild dishwashing detergent or baking soda mixed with water.
- For stubborn surfaces, use a citrus-based degreaser and a nylon scrubbing brush.
- Rinse clean with water.
- Allow to air dry.



Needs cleaning: Noisy with hard blue flames.

Cleaning Main Burners

- Turn LP gas tank valve to "CLOSED."
- Turn all control knobs clockwise to the "OFF" position.
Note: A "poof" sound is normal as the last of the gas is burned.
- Disconnect LP gas tank per "Disconnecting LP Gas Tank" section.



Has to be replaced: Wavy with yellow flames.

Cleaning and Care (continued)

4. Remove cooking grids and heat plates.
5. Remove burners by removing the fasteners, which secure the burners to the grill bottom.
6. Lift burners up and away from gas valve orifice.
7. Disconnect wire from spark electrode.
8. Clean venturi of each burner with small bottle brush or compressed air.
9. Remove all food residue and dirt from burner surface.
10. Clean any clogged ports with a stiff wire (such as an opened paper clip).
11. Inspect burners for any damage (cracks or holes). If damage is found, replace with new burner(s) from manufacturer.
12. Re-install burner(s). Checking to insure that gas valve orifice is correctly positioned inside each burner/venturi tube. Also, check position of spark electrode.
13. Replace heat plate(s) and cooking grid(s).
14. Connect LP gas tank per "Installing LP Gas Tank" section.
15. Perform leak test per "Checking for Leaks" section.

Cleaning Side Burner

1. Turn LP gas tank valve to "CLOSED."
2. Turn all control knobs clockwise to the "OFF" position.
Note: A "poof" sound is normal as the last of the gas is burned.
3. Disconnect LP gas tank per "Disconnecting LP Gas Tank" section.
4. Remove side burner grid.
5. Remove burner by removing the screws that secure the burner to the side shelf.
6. Lift burner up and away from gas valve orifice.
7. Clean venturi of burner with small bottle brush or compressed air.
8. Remove all food residue and dirt from burner surface.
9. Clean any clogged ports with a stiff wire (such as an opened paper clip).
10. Inspect burner for any damage (cracks or holes). If damage is found, replace with new burner from manufacturer.
11. Re-install burner(s). Checking to insure that gas valve orifice is correctly positioned inside each burner/venturi tube. Also, check position of spark electrode.
12. Replace cooking grid(s).
13. Connect LP gas tank per "Installing LP Gas Tank" section.
14. Perform leak test per "Checking for Leaks" section.

Before Storing

1. Turn LP gas tank valve to "CLOSED."
2. Turn all control knobs clockwise to the "OFF" position.
Note: A "poof" sound is normal as the last of the gas is burned.
3. Disconnect LP gas tank per "Disconnecting LP Gas Tank" section.
4. Clean all surfaces.
5. Lightly coat the burner(s) and cooking grid(s) with cooking oil to prevent excess rusting.
6. If storing the grill indoors, disconnect the LP tank per "Disconnecting LP Gas Tank" section.
7. Place the protective cap cover on the LP tank and store the tank outdoors in a well-ventilated area out of direct sunlight.
8. If storing the grill indoors, cover the grill and store in a cool dry place.
9. If storing the grill outdoors, cover the grill with a grill cover for protection from the weather.

Product Registration

For faster warranty service, register your product immediately at BlueRhino.com/warranty or by calling 1.800.762.1142.

Replacement Parts

Replacement parts can be found at parts.BlueRhino.com or by calling 1.800.762.1142.

Limited Warranty

Blue Rhino Global Sourcing, Inc. ("Blue Rhino") warrants to the original retail purchaser of this product, and to no other person, that if this product is assembled, maintained, and operated in accordance with the printed instructions accompanying it, then for a period of five (5) years for the burners and one (1) year for all remaining parts from the date of purchase, all parts in such product shall be free from defects in material and workmanship. Blue Rhino may require reasonable proof of your date of purchase. Therefore, you should retain your sales slip or invoice. This Limited Warranty shall be limited to the repair or replacement of parts, which prove defective under normal use and service and which Blue Rhino shall determine in its reasonable discretion upon examination to be defective. Before returning any parts, you should contact Blue Rhino's Customer Care Department using the contact information listed below. If Blue Rhino confirms, after examination, a defect covered by this Limited Warranty in any returned part, and if Blue Rhino approves the claim, Blue Rhino will replace such defective part without charge. If you return defective parts, transportation charges must be prepaid by you. Blue Rhino will return replacement parts to the original retail purchaser, freight or postage prepaid.

This Limited Warranty does not cover any failures or operating difficulties due to accident, abuse, misuse, alteration, misapplication, improper installation or improper maintenance or service by you or any third party, or failure to perform normal and routine maintenance on the product as set out in this owner's manual. In addition, the Limited Warranty does not cover damage to the finish, such as scratches, dents, discoloration, rust or other weather damage, after purchase.

This Limited Warranty is in lieu of all other express warranties. Blue Rhino disclaims all warranties for products that are purchased from sellers other than authorized retailers or distributors, including the warranty of merchantability or the warranty of fitness for a particular purpose. Blue Rhino ALSO DISCLAIMS ANY AND ALL IMPLIED WARRANTIES, INCLUDING WITHOUT LIMITATION THE IMPLIED WARRANTIES OF MERCHANTABILITY AND FITNESS FOR A PARTICULAR PURPOSE. Blue Rhino SHALL HAVE NO LIABILITY TO PURCHASER OR ANY THIRD PARTY FOR ANY SPECIAL, INDIRECT, PUNITIVE, INCIDENTAL, OR CONSEQUENTIAL DAMAGES. Blue Rhino further disclaims any implied or express warranty of, and assumes no responsibility for, defects in workmanship caused by third parties.

This Limited Warranty gives the purchaser specific legal rights; a purchaser may have other rights depending upon where he or she lives. Some jurisdictions do not allow the exclusion or limitation of special, incidental or consequential damages, or limitations on how long a warranty lasts, so the above exclusion and limitations may not apply to everyone.

Blue Rhino does not authorize any person or company to assume for it any other obligation or liability in connection with the sale, installation, use, removal, return, or replacement of its equipment, and no such representations are binding on Blue Rhino.

Blue Rhino Global Sourcing, Inc.
Winston-Salem, North Carolina 27105 USA
1.800.762.1142

Troubleshooting

Problem	Possible Cause	Prevention/Cure
Burner will not light using igniter	LP gas tank valve is closed	Make sure regulator is securely attached to the LP gas tank per "Installing LP Gas Tank," then turn LP gas tank valve to "OPEN"
	LP gas tank is low or empty	Exchange, refill or replace LP gas tank
	LP gas	1. Turn LP gas tank valve to "CLOSED" 2. Wait 5 minutes for gas to clear 3. Follow "Checking for Leaks" section
	Wires or electrode covered with cooking residue	Clean wire and/or electrode with rubbing alcohol
	Electrode and burners are wet	Wipe dry with cloth
	Electrode cracked/broken - sparks at crack	Replacement part(s) may be needed - contact Customer Care at 800.762.1142
	Wire loose or disconnected	Reconnect wire or replacement part(s) may be needed - contact Customer Care at 800.762.1142
	Wire is shorting (sparking) between igniter and electrode	Replacement part(s) may be needed - contact Customer Care at 800.762.1142
Bad igniter	Replacement part(s) may be needed - contact Customer Care at 800.762.1142	
Burner will not light with match	No gas flow	Check if LP gas tank is empty A. If empty, exchange, refill or replace LP gas tank B. If LP gas tank is not empty, refer to "Sudden drop in gas flow or reduced flame height" (see below)
	LP gas tank is low or empty	Exchange, refill or replace LP gas tank
	LP gas	1. Turn LP gas tank valve to "CLOSED" 2. Wait 5 minutes for gas to clear 3. Follow "Checking for Leaks" section
	Coupling nut and regulator not fully connected	Turn the coupling nut about one-half to three-quarters additional turn until solid stop. Tighten by hand only - do NOT use tools
	Obstruction of gas flow	1. Clear burner/venturi tube 2. Check for bent or kinked hose
	Disengagement of burner to valve	Reengage burner and valve
	Spider webs or insect nest in venturi	Clean burner/venturi tube
	Burner ports clogged or blocked	Clean burner ports
Sudden drop in gas flow or reduced flame height	Out of gas	Exchange, refill or replace LP gas tank
	Overfilling prevention device may have been activated	1. Turn control knobs to "OFF" 2. Wait 30 seconds and light grill 3. If flames are still too low, reset the overfilling prevention device: a. Turn control knob(s) "OFF" b. Turn LP gas tank valve to "CLOSED" c. Disconnect regulator d. Turn control knobs to (HIGH) e. Wait 1 minute f. Turn control knobs to "OFF" g. Reconnect regulator and leak check connections, being careful not to fully open valve h. Light grill per "Lighting" section
Irregular flame pattern, flame does not run the full length of burner	Burner ports are clogged or blocked	Clean burner ports
Flame is yellow or orange	New burner may have residual manufacturing oils	Burn grill for 15 minutes on (HIGH) with the lid closed
	Spider webs or insect nest in venturi	Clean venturi
	Food residue, grease, etc. on burners	Clean burner
	Poor alignment of valve to burner/venturi tube	Ensure burner/venturi tube is properly engaged with valve
Flame goes out	High or gusting winds	Do not use grill in high winds
	Low on LP Gas	Exchange, refill or replace LP gas tank
	Overfilling prevention device may have been activated	Refer to "Sudden drop in gas flow or reduced flame height" (see above)
Flare-up	Grease buildup	Remove and clean all grill parts per "Cleaning and Care" section
	Excess fat in meat	Trim fat from meat before grilling
	Excessive cooking temperature	Adjust to lower cooking temperature
Persistent grease fire	Grease trapped by food buildup around burner system	1. Turn control knobs to "OFF" 2. Turn LP gas tank valve to "CLOSED" 3. Leave lid in closed position and let fire burn out 4. After grill cools, remove and clean all parts per "Cleaning and Care" section
Flashback (fire in burner tube(s))	Burner and/or burner/venturi tube are blocked	Clean burners and/or burner/venturi tube
Inside of lid is peeling (like paint peeling)	Baked on grease buildup has turned to carbon and is flaking off.	Clean all grill parts per "Cleaning and Care" section.

For more assistance, please visit us at BlueRhino.com or call 1.800.762.1142.



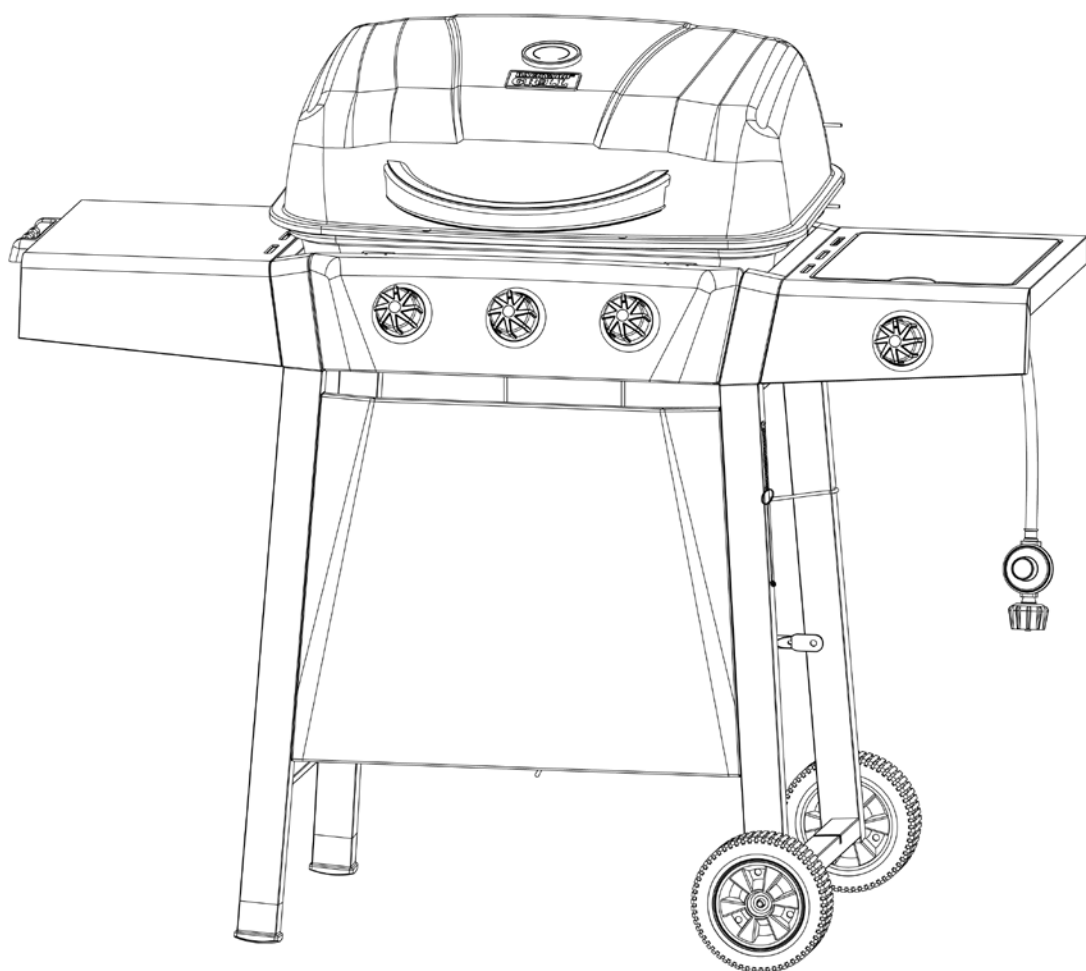
Parrilla de gas propano para exteriores


Modelo no. GBC1429WBRs, GBC1429WBBS

¿Necesita propano?


Disponible en:

Walmart 





 **ADVERTENCIA**
PARA SU SEGURIDAD:

Solamente para uso en exteriores
(fuera de cualquier recinto)


 **ADVERTENCIA**
PARA SU SEGURIDAD:

- Una instalación, ajuste, alteración, reparación o mantenimiento inadecuados pueden causar lesiones o daños a la propiedad.
- Lea atentamente las instrucciones de instalación, funcionamiento y mantenimiento del equipo antes de instalarlo, ponerlo en marcha o darle servicio.
- El no seguir estas instrucciones puede ocasionar un incendio o una explosión, con sus consecuentes daños a la propiedad, lesiones personales y hasta accidentes fatales.
- Este manual de instrucciones contiene información importante necesaria para un correcto ensamblaje y uso seguro del aparato.
- Lea y siga todas las instrucciones y advertencias antes de ensamblar y usar el producto.
- Obedezca todas las advertencias e instrucciones cuando use el equipo.
- Guarde este manual para referencia futura.

 **PELIGRO**

Si huele a gas -

- Cierre la entrada de gas al aparato.
- Apague cualquier llama activa.
- Abra la tapa.
- Si el olor persiste, manténgase alejado del aparato y llame inmediatamente a su proveedor de gas o al departamento de bomberos.

 **ADVERTENCIA**
PARA SU SEGURIDAD:

- No guarde o use gasolina u otros líquidos o vapores inflamables cerca de esta unidad o de cualquier otro aparato.
- Un tanque de propano líquido que no esté conectado para su uso no se debe almacenar cerca de éste o cualquier otro aparato.

 **PELIGRO**

Nunca deje este artefacto encendido sin vigilancia.

Índice

Salvaguardias importantes	Página 2
Despiece y elementos de ferretería.	4
Instrucciones de armado	5
Instalación del tanque de gas propano líquido (PL)	9
Instrucciones de operación.	9
Limpieza y cuidado.	11
Registro del producto	11
Piezas de repuesto	11
Garantía limitada	12
Resolución de problemas	13

El uso e instalación de este producto ha de realizarse de acuerdo con los códigos locales. Si no existen códigos locales, use las normas siguientes: *Código Nacional de Gas Combustible, ANSI Z223.1/NFPA 54, Código de Instalación de Propano y Gas Natural CAN/CGA-B149.1, o el Código de Manipulación y Almacenaje de Propano B149.2, o la Norma sobre Vehículos Recreativos, ANSI A 119.2/NFPA 1192, y CSA Z240 Serie VR, y el Código sobre Vehículos Recreativos, según aplique.*

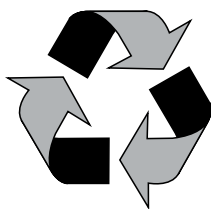
ESTE MANUAL DE INSTRUCCIONES CONTIENE INFORMACIÓN IMPORTANTE SOBRE LA SEGURIDAD. POR FAVOR, LÉALO Y CONSÉRVELO PARA FUTURAS CONSULTAS.

Si está montando esta unidad para otra persona, entréguele este manual para futuras consultas.

Propuesta 65 de California: La combustión del propano al usar esta unidad crea productos químicos considerados por el Estado de California como causantes de cáncer, malformaciones congénitas u otros daños reproductivos.

Propuesta 65 de California: Lavarse las manos después de manipular este producto.

Propuesta 65 de California: La manipulación de las piezas de bronce de este producto genera exposición al plomo, un elemento químico que el Estado de California ha determinado que produce cáncer, defectos de nacimiento u otros daños reproductivos.



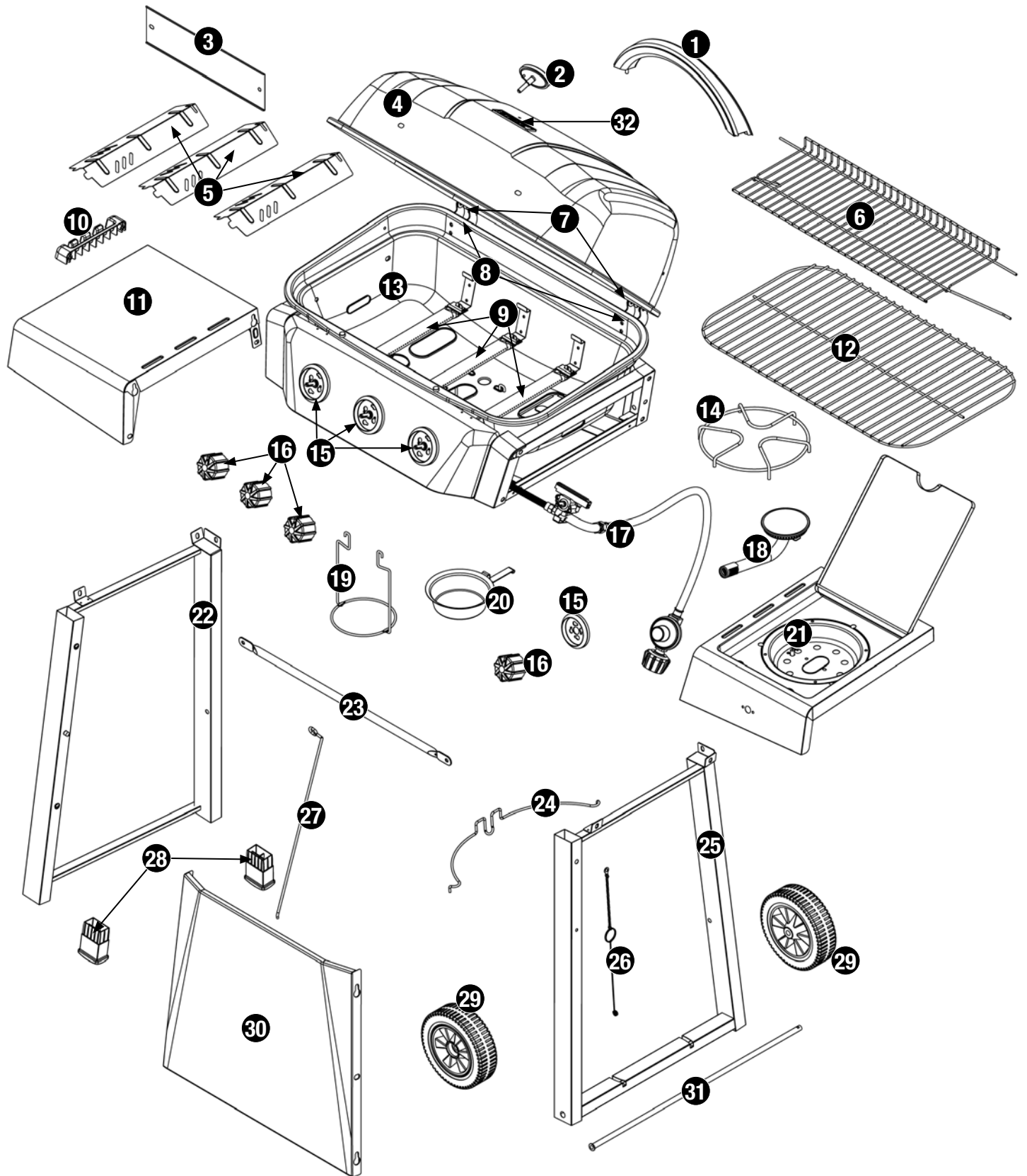
Salvaguardias importantes

- ▲ **PELIGRO:** El no seguir los avisos de peligro, las advertencias y las precauciones, puede ocasionar un incendio o una explosión, con sus consecuentes daños a la propiedad, lesiones personales y hasta accidentes fatales.
- ▲ **ADVERTENCIAS :**
 - ▲ Esta parrilla es para ser usada al aire libre únicamente y no debe usarse en un edificio, garaje o cualquier otra área cerrada.
 - ▲ NO opere, encienda o use esta unidad a menos de diez (10) pies (3,05 m) de paredes, estructuras o edificaciones.
 - ▲ Para uso residencial únicamente. Esta parrilla NO ha sido diseñada para uso comercial.
 - ▲ Esta parrilla no ha sido diseñada como calentador y nunca se la debe utilizar como tal. Gases TÓXICOS pueden acumularse y provocar la asfixia.
 - ▲ Esta parrilla tiene certificación de seguridad para uso en los Estados Unidos y/o Canadá solamente. No debe modificarse para uso en ningún otro lugar. Cualquier modificación resultará en un riesgo de seguridad e invalidará su garantía.
 - ▲ Esta parrilla utiliza únicamente gas de propano líquido como combustible. El convertir o tratar de convertir esta parrilla de gas propano líquido para ser usada con gas natural es peligroso e invalida la garantía de la unidad.
 - ▲ Características del propano líquido (PL):
 - a. El propano es inflamable y resulta peligroso si se manipula inadecuadamente. Antes de utilizar cualquier producto que emplee propano líquido, estudie detenidamente sus características.
 - b. El gas de propano líquido es explosivo bajo presión, más denso que el aire, se asienta y se acumula a poca altura.
 - c. En su estado natural, el propano no tiene ningún olor. Para su seguridad, se añade una esencia odorífera que huele a col podrida.
 - d. El contacto directo con el propano líquido puede causar quemaduras frías en la piel.
 - ▲ Habitantes de apartamentos: Comuníquese con la administración para obtener los requisitos y los códigos de incendio para uso de una parrilla a gas propano líquido en su complejo de apartamentos. Si está permitido su uso, coloque la unidad en exteriores, sobre el suelo con una distancia de diez (10) pies (3 m) de paredes o barandas. No debe usarse en balcones ni debajo de estos.
 - ▲ Se requiere un tanque de gas propano para hacer funcionar este aparato. Únicamente tanques marcados "Propano" pueden usarse en esta unidad.
 - ▲ El tanque de gas propano líquido (PL) debe estar fabricado y comercializado según las *Especificaciones para tanques de gas propano líquido del Departamento de Transporte (DOT) de EE.UU. o del Estándar nacional de Canadá, CAN/CSAB339 sobre tanques, esferas y tubos para el transporte de mercancías peligrosas; y la comisión.*
 - ▲ Verifique que el tanque de gas propano líquido esté en una posición adecuada para la extracción de vapor.
 - ▲ El tanque de gas propano líquido debe tener un dispositivo que evite el sobrellenado del tanque (OPD).
 - ▲ Utilice únicamente tanques de propano que tienen un dispositivo de conexión compatible con aparatos de cocción al aire libre.
 - ▲ NO utilice nunca un tanque de propano líquido si el cuerpo no tiene collar para proteger la válvula.
 - ▲ NO utilice nunca un tanque de propano líquido si el cuerpo, la válvula, el collar o el anillo inferior presentan algún daño.
 - ▲ Los tanques de propano líquido abollados u oxidados pueden ser peligrosos y deberían ser revisados por su proveedor de gas PL antes de utilizarlos.
 - ▲ NO deje caer el tanque de gas propano líquido ni lo maneje bruscamente.
 - ▲ Los tanques deben almacenarse en exteriores, en un lugar al aire libre siempre fuera del alcance de los niños y nunca en un garaje, edificio o espacio cerrado. Nunca almacene tanques de gas en un lugar en el que la temperatura supere los 125°F (51,5°C).
 - ▲ NO inserte ninguna herramienta u objeto extraño en la salida de la válvula ni en la válvula de seguridad. Puede dañar la válvula y causar una fuga. Una fuga de gas propano puede causar una explosión, un incendio, lesiones personales graves o la muerte.
 - ▲ NO obstruya los agujeros situados a los lados y en la parte trasera de la parrilla.
- ▲ NO ponga nunca un tanque de gas propano lleno en un carro o camioneta calientes. El calor podría hacer que la presión del gas aumentase, lo que abriría la válvula de seguridad y haría que se escapase el gas.
- ▲ Ponga la tapa contra el polvo en la válvula de salida del tanque cuando no lo esté usando. Únicamente use la tapa contra el polvo que viene con la válvula del tanque. Otros tipos de tapones o tapas pueden crear fugas del propano.
- ▲ Si la parrilla no se está usando, el gas debe cerrarse en el tanque de suministro y se debe desconectar el tanque.
- ▲ Nunca guarde un tanque adicional de propano debajo o cerca de esta parrilla.
- ▲ Nunca llene el tanque más allá de 80% de su capacidad.
- ▲ El no seguir exactamente las instrucciones dadas arriba puede producir un incendio con daños a la propiedad, lesiones serias y hasta fatales.
- ▲ NO intente nunca acoplar esta parrilla al sistema de propano de un campero, de una casa móvil o de su propia casa.
- ▲ NO use nunca carbón de leña, líquido para encendedor, rocas de lava, gasolina, queroseno o alcohol con este aparato.
- ▲ Todas las conexiones de gas de su parrilla han sido verificadas en fábrica en cuanto a fugas de gas. Sin embargo, vuelva a probar la integridad de todas las conexiones como se indica en las "Instrucciones de operación" ya que el movimiento en transporte puede aflojar algunas de ellas.
- ▲ Verifique que no haya fugas aún si el aparato ha sido armado por otra persona.
- ▲ NO opere la unidad si hay una fuga de gas. Las fugas de gas pueden provocar un fuego o una explosión.
- ▲ Antes de operar esta unidad, debe observar todos los procedimientos para verificar que no hay fugas de gas. Para evitar cualquier riesgo de fuego o de explosión al comprobar si hay fugas:
 - a. Compruebe siempre si hay fugas antes de encender la parrilla, cada vez que el tanque de gas está conectado.
 - b. No fume. No use o permita fuentes de ignición en el área al comprobar si hay fugas.
 - c. Siempre compruebe si hay fugas en exteriores donde hay una buena ventilación.
 - d. No use cerillas, encendedores o una llama para comprobar si hay fugas.
 - e. El uso de bebidas alcohólicas, medicamentos o drogas de farmacia puede afectar la habilidad del usuario para armar debidamente u operar en forma segura este aparato.
 - f. Los olores fuertes, los resfríos, la congestión de los senos nasales, etc. pueden evitar la detección del gas propano. Tome medidas de precaución y sentido común al realizar pruebas para determinar la presencia de fugas.
 - g. No use la parrilla hasta que todas las fugas hayan sido reparadas. Si no puede parar una fuga, desconecte el tanque de propano. Llame a un técnico de servicio de artefactos a gas o a su proveedor de propano local.
- ▲ Esta parrilla está diseñada para funcionar con las presiones de entrada siguientes: Gas propano líquido (PL): 11 pulgadas (28 cm) de columna de agua.
- ▲ NO guarde o use gasolina u otros líquidos o vapores inflamables a menos de 7,6 m (25 pies) de esta unidad.
- ▲ NO utilice el equipo en una atmósfera explosiva. Mantenga la zona de la parrilla libre de materiales combustibles, gasolina y cualquier otro vapor o líquido inflamable.
- ▲ El espacio mínimo entre los laterales y la parte posterior de la unidad y la construcción combustible es de 36 pulgadas (92 cm). NO use esta parrilla debajo de aleros o bajo techo.
- ▲ Es fundamental mantener limpio el compartimiento de la válvula de la parrilla, los quemadores y los conductos de aire circulante.
- ▲ Inspeccione la parrilla antes de cada uso.
- ▲ NO altere la parrilla de ninguna forma. Toda alteración anulará la garantía.

- ▲ NO utilice la parrilla a menos que esté **COMPLETAMENTE** montada y que todas las piezas estén bien fijadas y apretadas.
- ▲ NO instale este modelo de parrilla en ninguna construcción empotrada o que requiera deslizamiento interior. Ignorar esta advertencia podría provocar un incendio o una explosión y causar daños materiales así como lesiones corporales graves o la muerte.
- ▲ Esta parrilla de gas debe limpiarse y verificarse completamente de manera regular.
- ▲ Limpie y revise la manguera antes de cada uso del aparato. Si detecta alguna señal de abrasión, desgaste, cortes o fugas, deberá sustituir la manguera antes poner en marcha el aparato.
- ▲ Utilice únicamente el regulador y el conjunto de manguera incluido. El regulador de repuesto y el conjunto de manguera de repuesto serán los especificados por Rhino Global Sourcing, Inc.
- ▲ Use únicamente piezas autorizadas de fábrica de Blue Rhino Global Sourcing, Inc. El uso de cualquier pieza no autorizada de fábrica puede ser peligroso. Su uso invalida su garantía.
- ▲ NO encienda esta unidad sin haber leído las "Instrucciones de operación" que se encuentran en este manual.
- ▲ NO toque las piezas de metal de la parrilla hasta que no se haya enfriado completamente (alrededor de 45 minutos) para evitar quemaduras, a menos que usted tenga puestos elementos de protección tales como guantes o almohadilla para las ollas, guantes de barbacoa, etc.
- ▲ NO instalar o utilizar en embarcaciones o vehículos recreativos.
- ▲ Cuando esté cocinando, tenga fácilmente accesibles los elementos para extinguir un incendio. En caso de que la sustancia de freír se incendie no trate de extinguir el fuego con agua. Use un extinguidor de material químico seco tipo BC o ahogue el fuego con tierra, arena o soda de hornear.
- ▲ NO utilice la parrilla si hace mucho viento.
- ▲ Nunca se apoye sobre la parrilla cuando la está encendiendo.
- ▲ NO deje una parrilla encendida sin vigilancia, especialmente, mantenga los niños y las mascotas lejos de la parrilla en todo momento.
- ▲ NO deje la parrilla sin supervisión al precalentar o quemar residuos de alimentos con la perilla en la graduación más alta. Si la parrilla no ha sido limpiada, puede incendiarse la grasa y dañar el producto.
- ▲ NO coloque los recipientes de cocción sobre el artefacto mientras está en funcionamiento.
- ▲ Tenga cuidado al colocar cosas sobre la parrilla cuando ésta se encuentre en funcionamiento.
- ▲ NO intente mover la parrilla mientras esté encendida. Deje que la parrilla se enfríe antes de moverla o guardarla.
- ▲ El tanque de gas propano líquido debe desconectarse correctamente y retirarse antes de mover esta parrilla.
- ▲ El almacenamiento del aparato en un espacio cerrado sólo está permitido si el tanque está desconectado, desmontado del aparato y guardado al aire libre.
- ▲ Abra siempre la tapa de la parrilla en forma cuidadosa y lentamente, pues el calor y el vapor que hay dentro de la parrilla pueden ocasionarle severas quemaduras.
- ▲ NO trate de desconectar el regulador de gas del tanque, o cualquier otro accesorio de la línea de gas, mientras esté usando la parrilla.
- ▲ Coloque siempre la parrilla sobre una superficie firme y nivelada, alejada de productos combustibles. Una superficie de asfalto o de pavimento puede que no sea adecuada para este propósito.
- ▲ Retire las mangueras de gas lo más lejos posible de las superficies calientes y de las zonas donde gotee grasa caliente.
- ▲ Mantenga todos los cables eléctricos lejos de una parrilla caliente.
- ▲ Después de un período de almacenamiento o de falta de uso de la unidad, verifique que no haya fugas u obstrucciones en el quemador e inspeccione la manguera para detectar zonas gastadas o cortes en ella.
- ▲ El no abrir la tapa cuando se están encendiendo los quemadores de la parrilla, o el no esperar cinco minutos para permitir que el gas salga de la parrilla cuando el gas no se ha encendido, puede provocar una llamada explosiva.
- ▲ Nunca opere la parrilla antes de haber instalado las placas de distribución de calor.
- ▲ Use siempre un termómetro para carne para asegurar que la comida ha quedado cocida a la temperatura apropiada.
- ▲ Por favor, use guantes de protección cuando esté armando este producto.
- ▲ NO trate de forzar las piezas juntas pues esto puede ocasionar lesiones o dañar el producto.
- ▲ Nunca cubra la totalidad del área de cocción con papel de aluminio.
- ▲ El no seguir exactamente las instrucciones dadas arriba puede producir daños a la propiedad, lesiones serias y hasta fatales.

Lista de piezas

1	Manija	55-10-115
2	Indicador de temperatura	55-24-429
3	Protector contra el calor de la manija de la tapa	55-23-618
4	Tapa*	55-25-000 (WBRS) 55-24-997 (WBBS)
5	Placa de distribución de calor (3)	55-22-094
6	Rejilla de calentamiento	55-10-116
7	Bisagra superior (2)*	55-09-147
8	Bisagra inferior (2)*	55-09-117
9	Quemador (3)*	55-23-003
10	Ganchos porta-utensilios	55-11-279
11	Repisa izquierda	55-23-004
12	Rejilla de cocción	55-23-001
13	Carcasa de la parrilla*	55-23-005
14	Rejilla del quemador lateral	55-10-047
15	Soporte de la perilla de control (4)	55-24-039
16	Perilla de control (4)	55-24-794
17	Regulador y manguera*	55-11-015
18	Quemador lateral	55-24-795
19	Soporte del recogedor de grasa	55-07-316
20	Recogedor de grasa	55-07-315
21	Repisa derecha	55-24-796
22	Marco izquierdo del carro	55-24-797
23	Vara de soporte A del carro	55-23-007
24	Alambre de retención del tanque de propano	55-23-011
25	Marco derecho del carro	55-24-798
26	Varilla de encendido	55-10-056
27	Vara de soporte B del carro	55-23-008

Despiece


28	Pie (2)	55-23-012
29	Rueda (2)	55-07-363
30	Panel frontal	55-25-001 (WBRS) 55-24-998 (WBBS)
31	Eje	55-24-800
32	Placa de la marca*	55-24-042

*Viene ensamblado

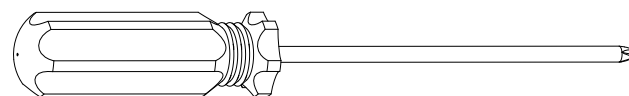
Elementos de ferretería

A	Tornillo	Niquelado, de cabeza Phillips abombada, M4x10	4 pzs
B	Tornillo	Niquelado, de cabeza Phillips abombada, M6x16	10 pzs
C	Perno	Niquelado, de cabeza Phillips hexagonal, M6x16	8 pzs
D	Perno de mariposa	Niquelado, M6x15	1 pz
E	Tuerca de mariposa	Niquelada, M6	2 pzs
F	Arandela	Niquelada, ø6,5x18	6 pzs
G	Arandela	Niquelada, ø6,5x22	2 pzs
H	Arandela de cierre	Niquelada, ø6,5	8 pzs
I	Tapón	Negro	1 pz

Herramientas necesarias para el armado (incluidas)

Destornillador en cruz (Phillips) no. 2

1 pz



Instrucciones de armado

1

NO DEVUELVA EL PRODUCTO AL LUGAR DE COMPRA.

Si necesita ayuda llame, sin cargo, al **1.800.762.1142**. Por favor tenga a mano su manual y el modelo número de la unidad, para referencia.

Nota: El número o lateral del modelo se encuentra en la parte trasera o lateral el carro.

Para facilitar el armado:

1. Elija el lugar en el que armará este producto. Para proteger los componentes, elija una superficie lisa, sin fisuras ni hendijas.
2. Presente todas las piezas.
3. Ajuste todas las conexiones de los elementos de ferretería, primero en forma manual. Luego, después de completar cada paso, ajústelos por completo. Tenga cuidado de no ajustar demasiado. Se podrían dañar las superficies o forzar las roscas.
4. Para obtener mejores resultados, siga todos los pasos en el orden indicado.

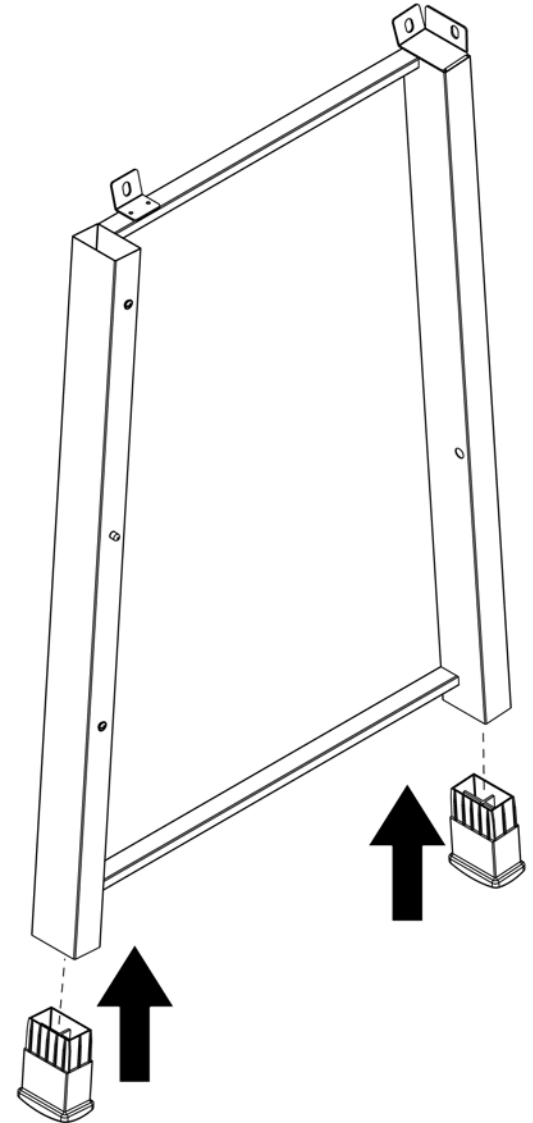
Para terminar el armado de la unidad necesitará:

- una (1) solución para detección de fugas. Las instrucciones sobre cómo preparar esta solución se encuentran en la sección "Instrucciones de operación".
- un (1) un tanque de gas propano líquido, para parrilla, llenado con precisión y con rosca externa Acme Tipo 1 para conexión de válvula (non incluidas).

Tiempo de armado estimado: una hora

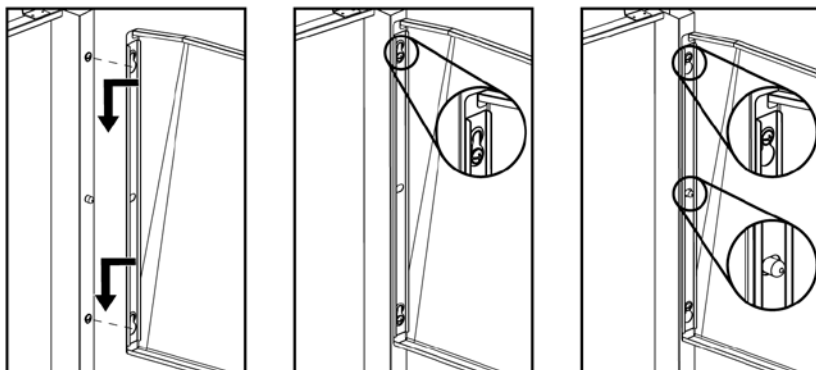
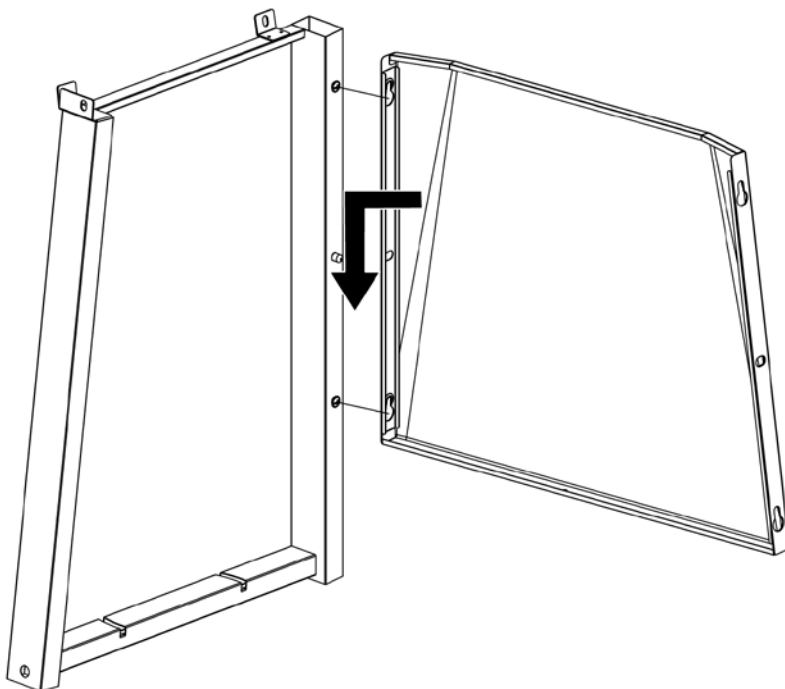
2

Acople los pies



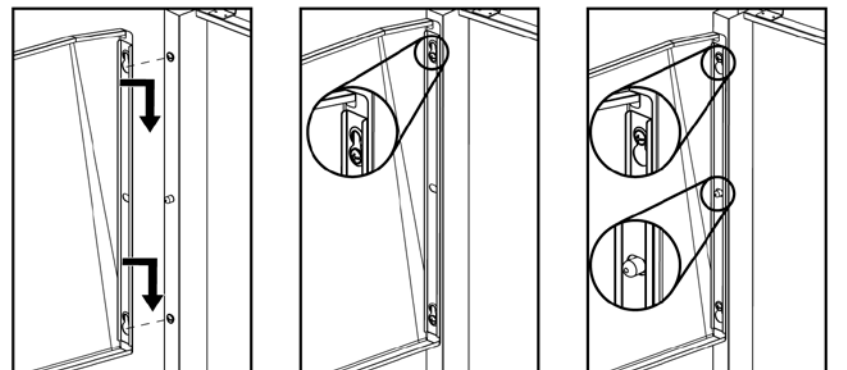
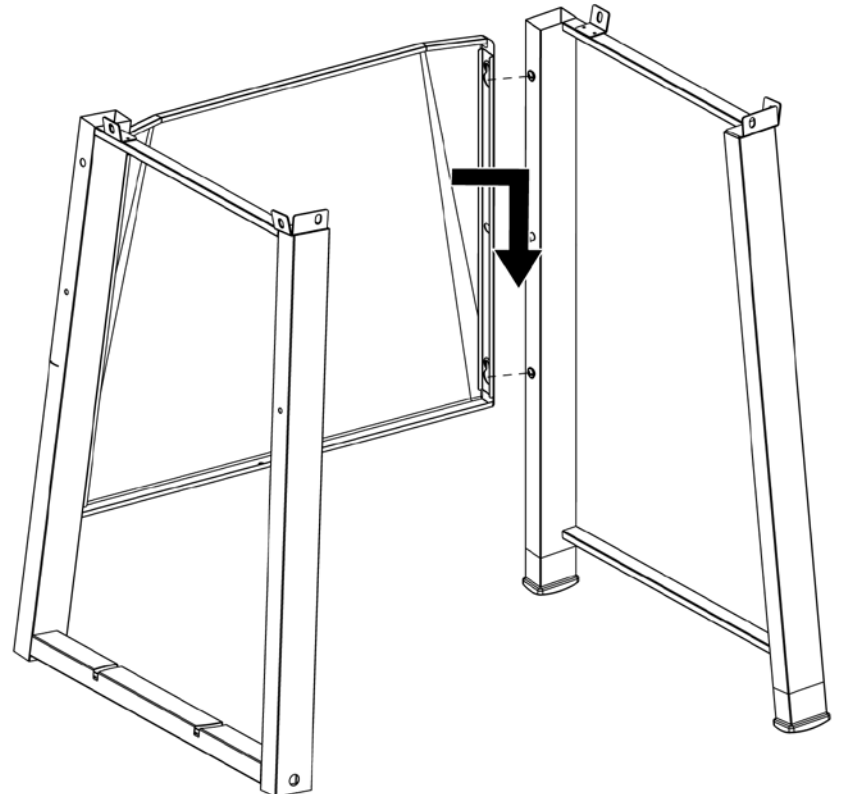
3

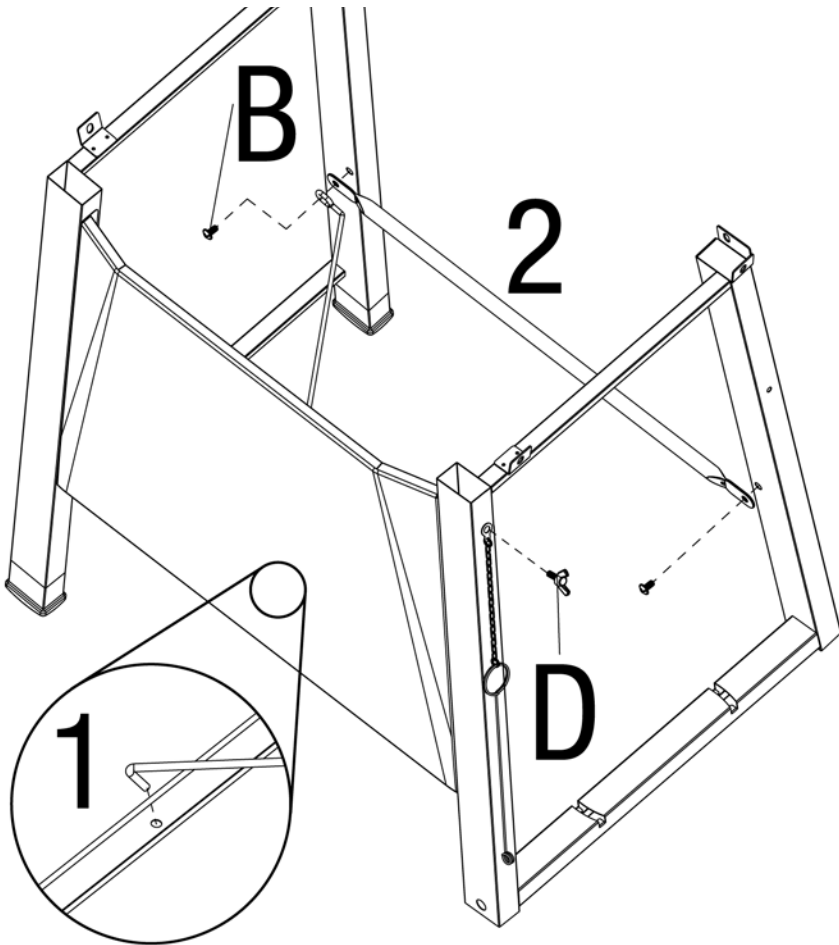
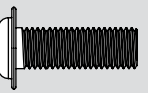
Acople el panel frontal

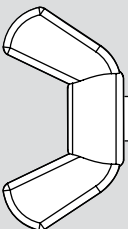


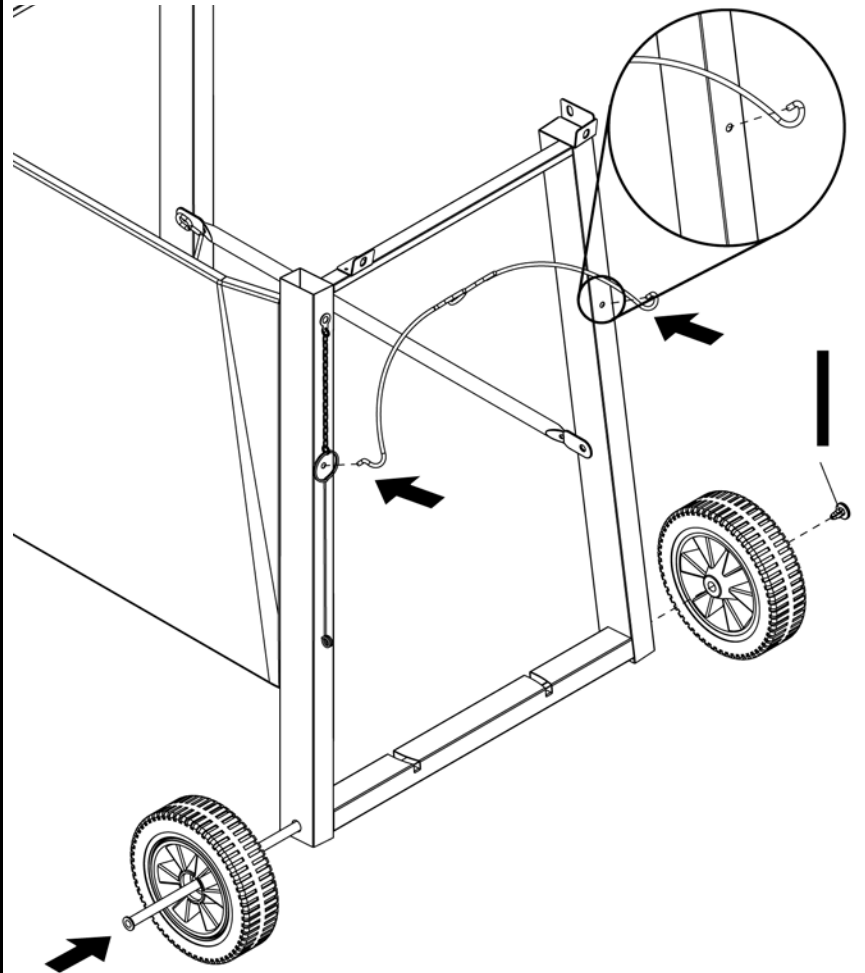
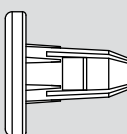
4

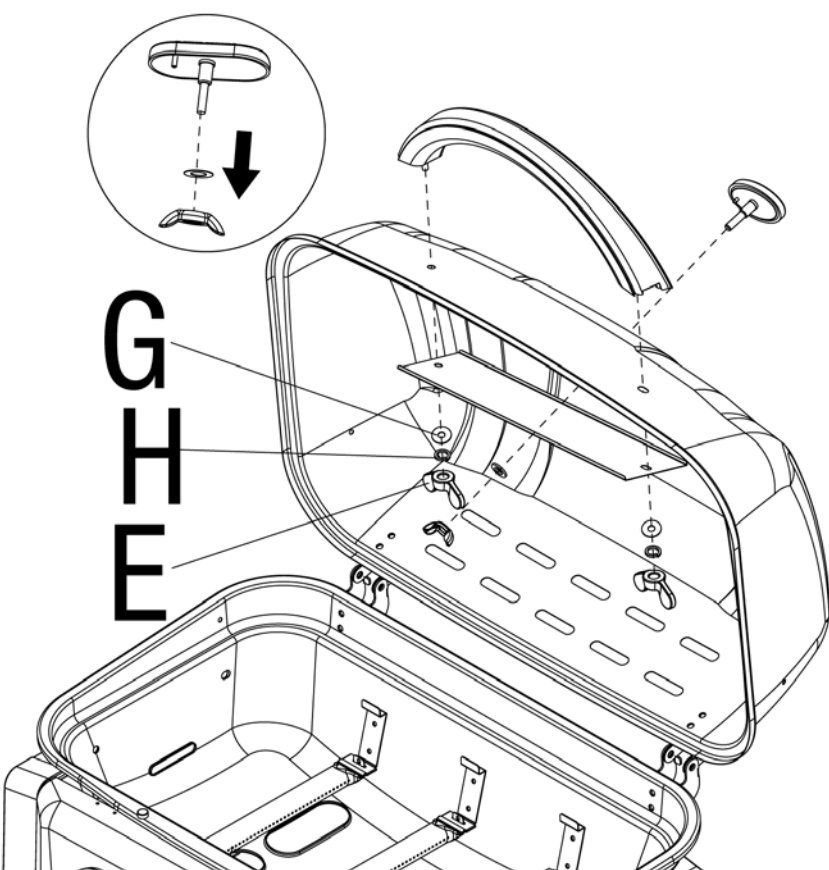


Acople el marco izquierdo del carro




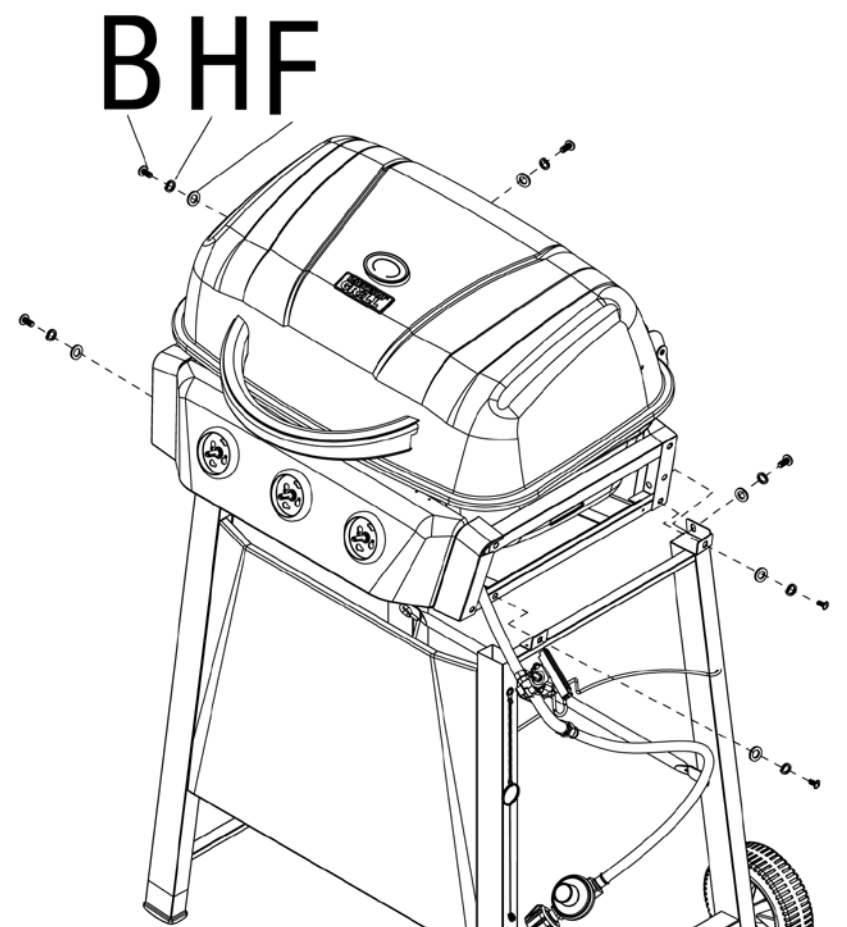
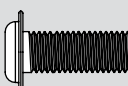
Instrucciones de armado (continuación)
5
Acople las varas de soporte A y B del carro

B  x2

D  x1

6
Acople el eje, las ruedas y el alambre de retención del tanque de propano

I  x1

7
Acople el protector contra el calor de la manija de la tapa, la manija y el indicador de temperatura de la tapa

E  x2 **H**  x2

G  x2

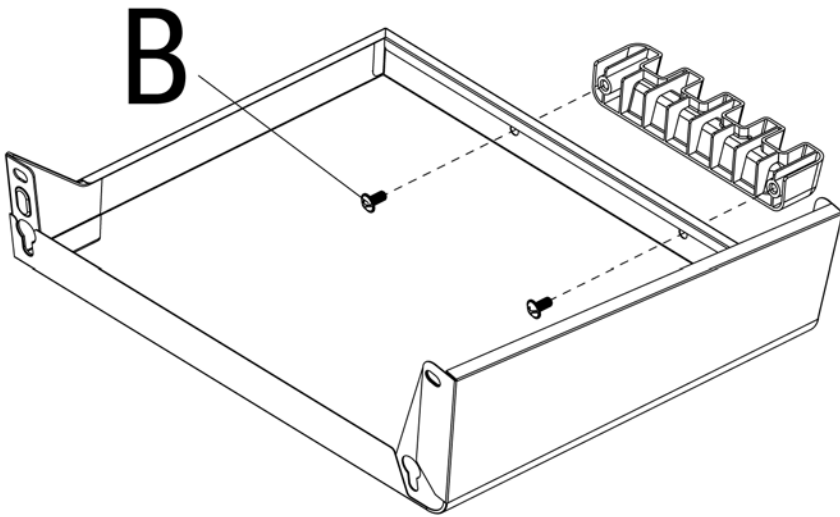
8
Acople la carcasa de la parrilla

B  x6

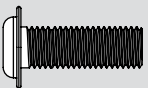
H  x6

F  x6

9

Acople los ganchos porta-utensilios

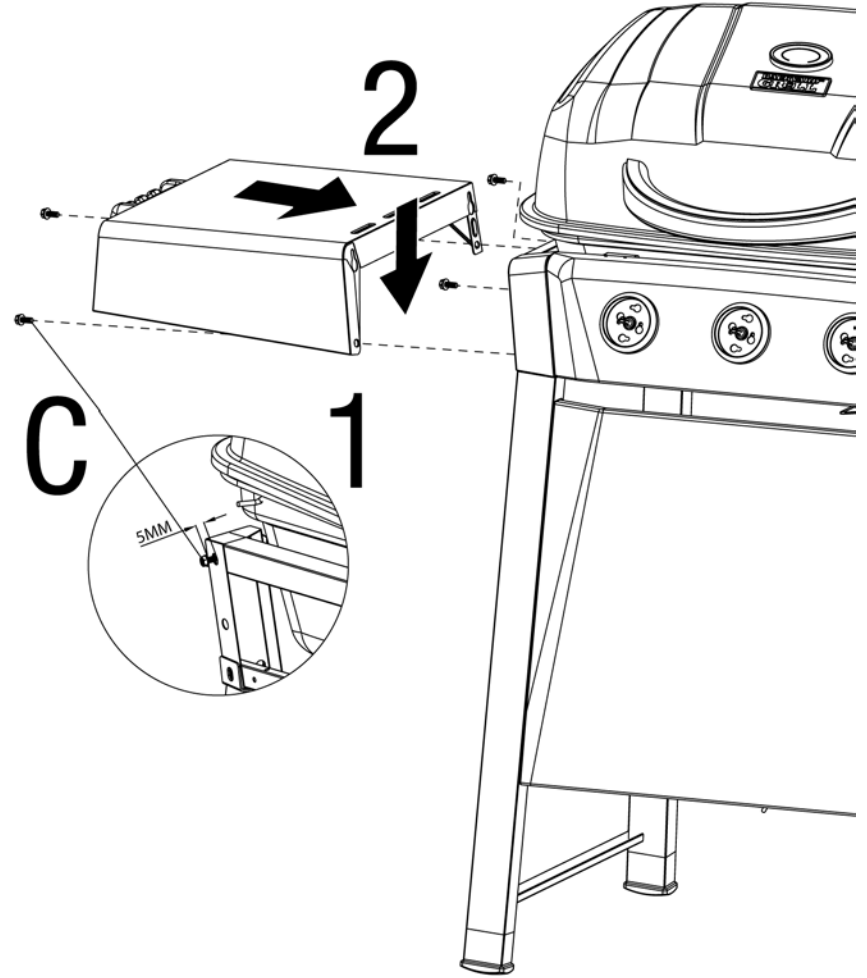


B  x 2

10

Acople la repisa izquierda

Nota: Deje expuesto un segmento de la rosca del perno de unos 5 mm.

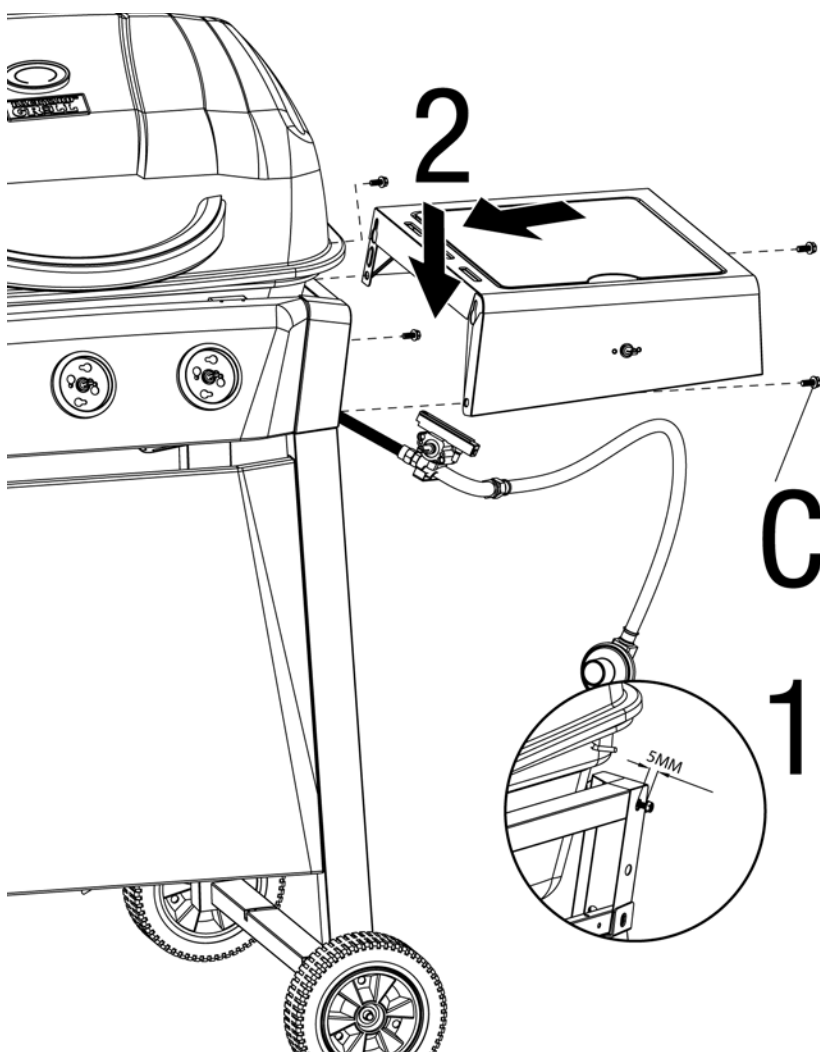


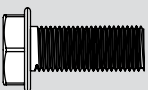
C  x 4

11

Acople la repisa derecha

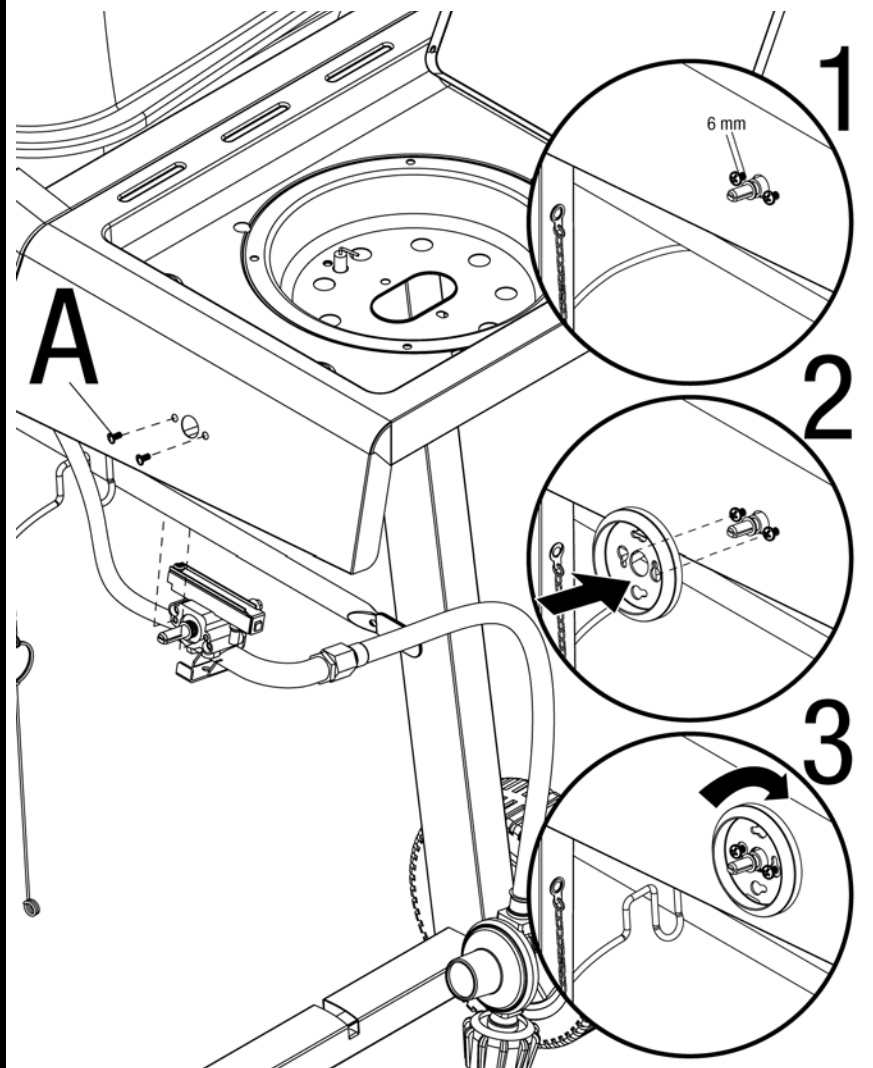
Nota: Deje expuesto un segmento de la rosca del perno de unos 5 mm.



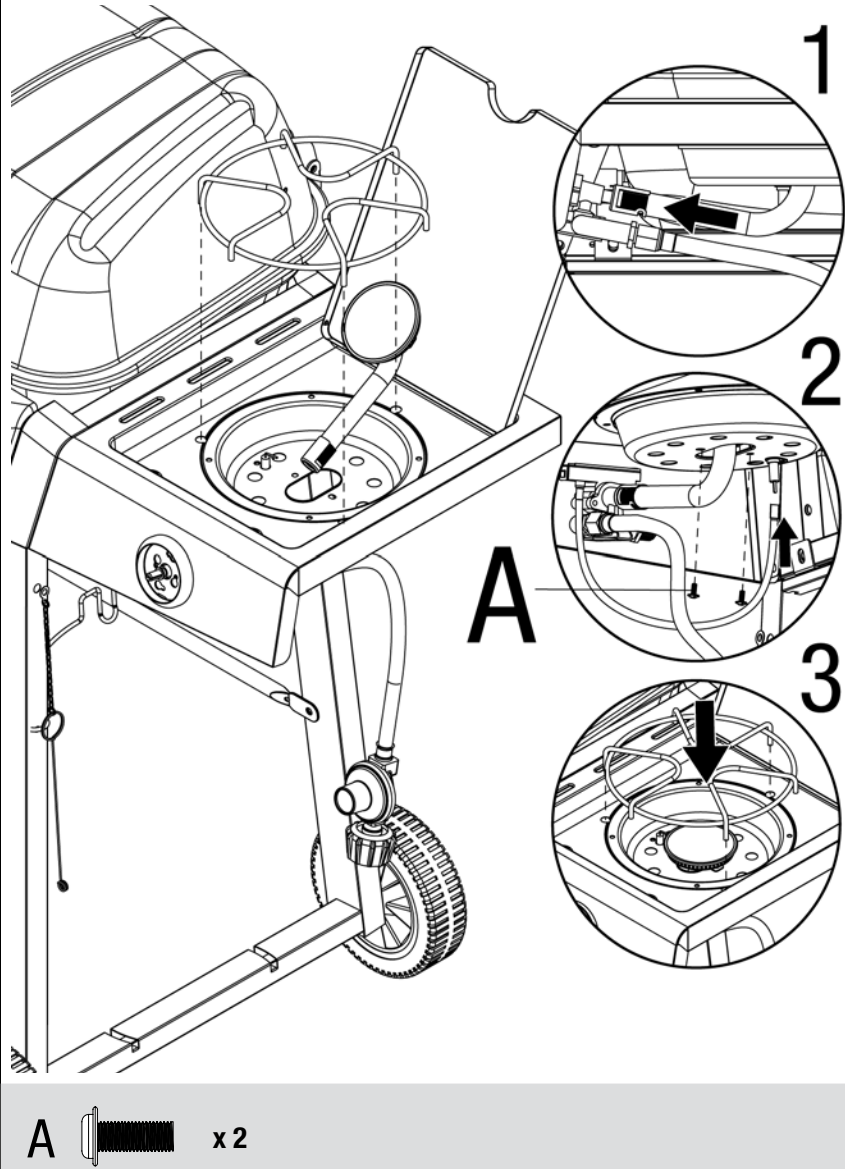
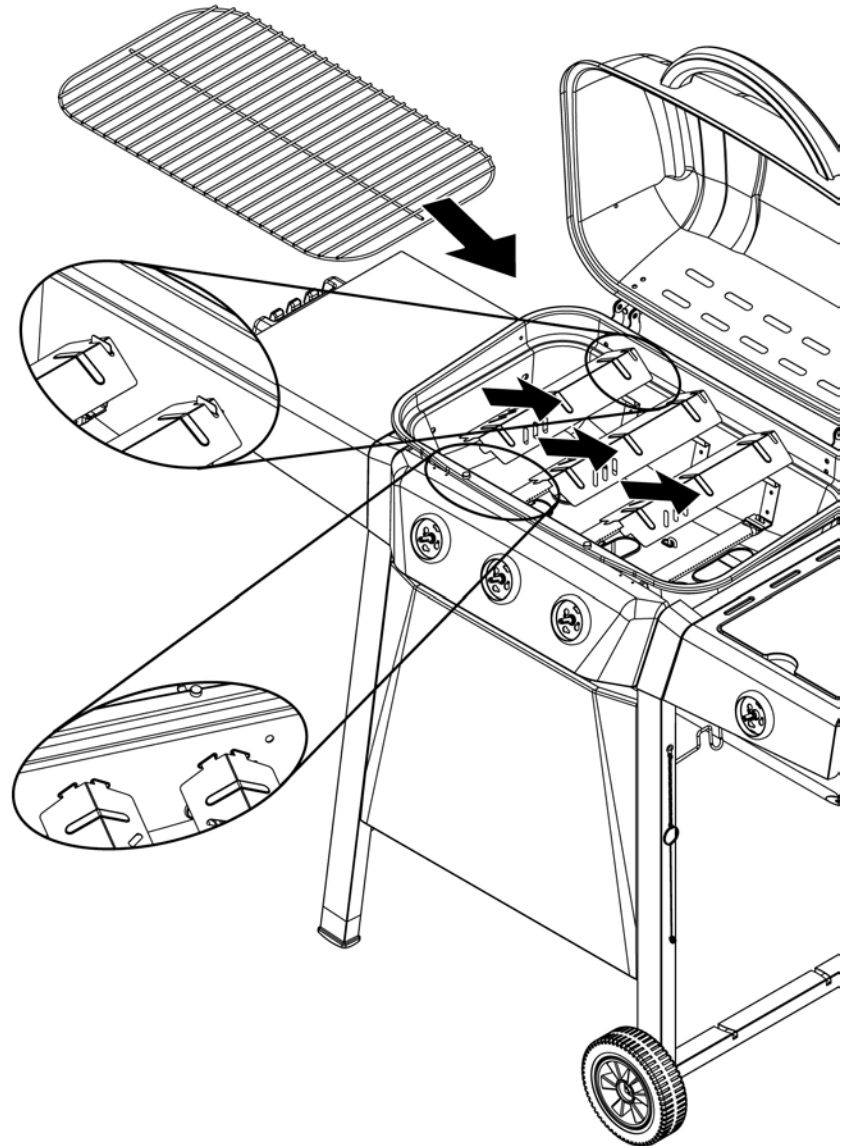
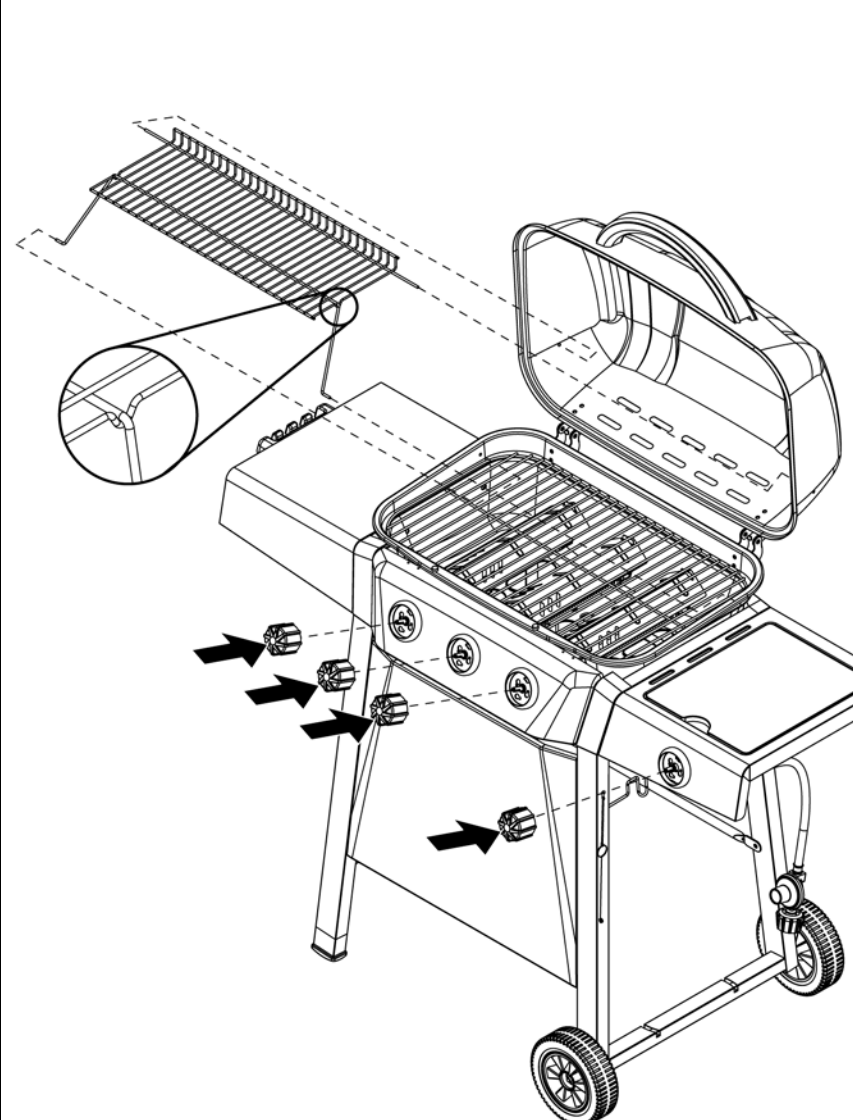
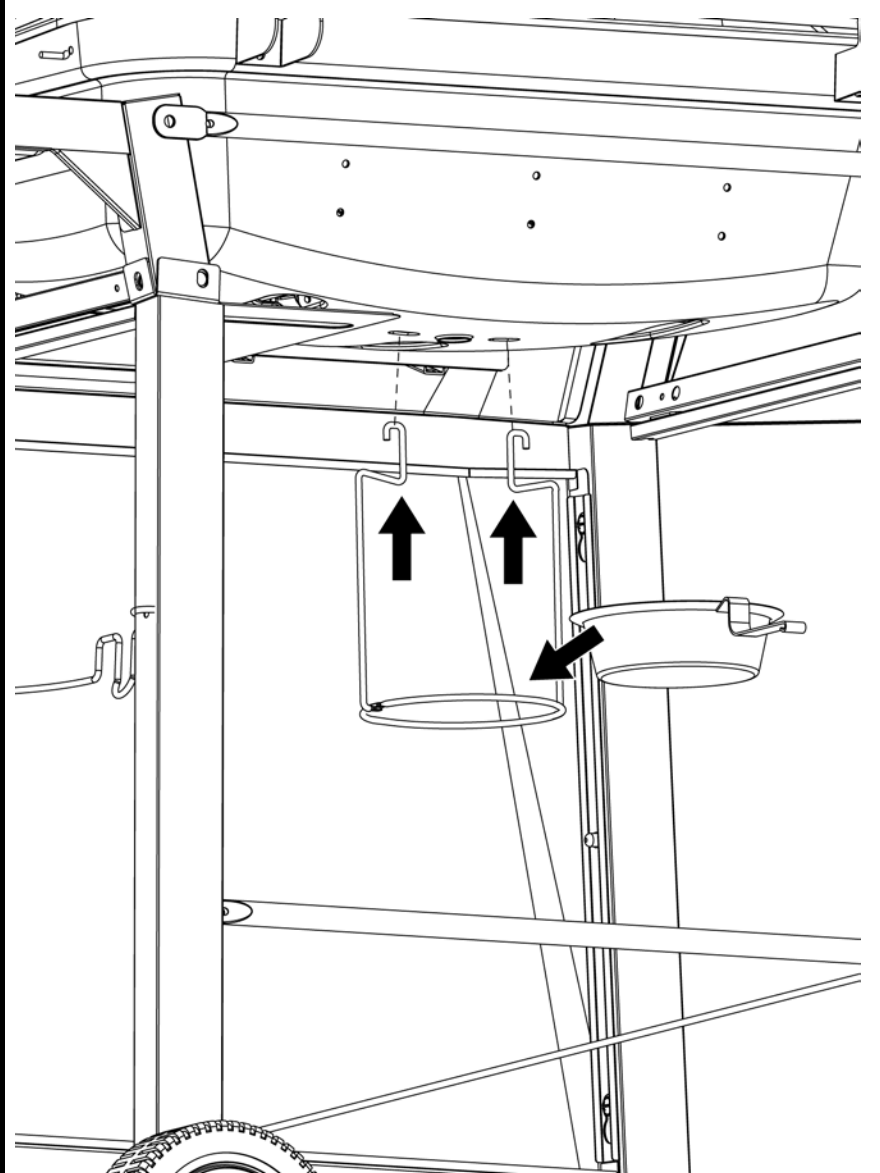
C  x 4

12

Acople el soporte de la perilla de control y la válvula del quemador lateral



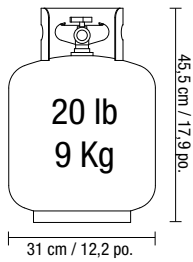
A  x 2

Instrucciones de armado (continuación)
13
Acople el quemador lateral, el alambre del encendedor y la rejilla del quemador lateral

14
Coloque las placas de distribución de calor y la rejilla de cocción

15
Coloque la rejilla de calentamiento y las perillas de control

16
Inserte el soporte del recogedor de grasa y el recogedor de grasa


Instalación del tanque de gas propano líquido

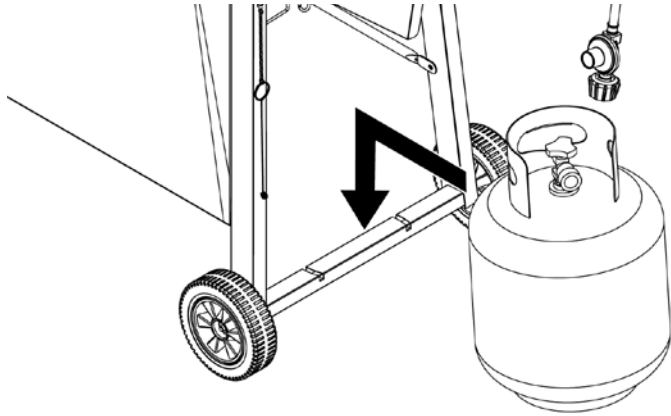
Para operar la parrilla usted necesitará un (1) tanque de gas propano líquido para parrilla estándar llenado con precisión con válvula roscada externa.

⚠ PRECAUCIÓN: El tanque de gas propano líquido debe desconectarse correctamente y retirarse antes de mover esta parrilla.



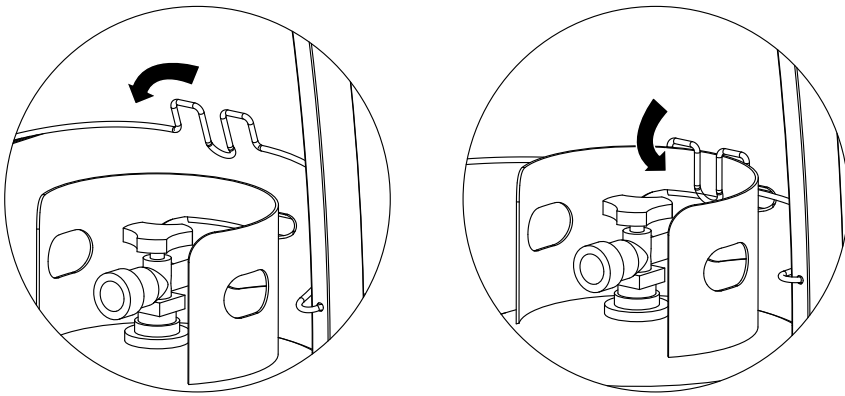
Insertar el tanque de propano

Coloque un tanque de propano, llenado con precisión, en posición vertical de manera que quede sentado en las muescas del marco derecho del carro y que la válvula esté orientada hacia la línea de gas.



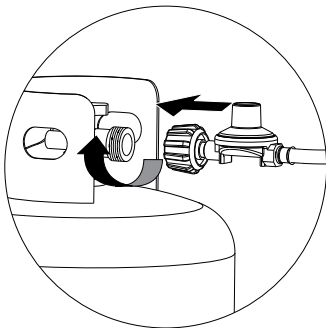
Asegurar el tanque de propano

Asegure el tanque pasando el alambre de retención del tanque por sobre el hombro del tanque de propano.



Conectar el tanque de gas propano líquido

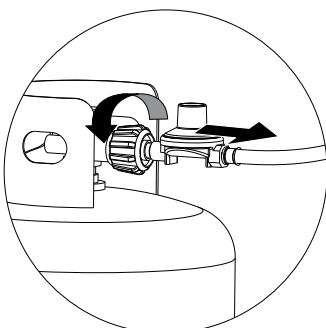
1. Antes de conectar el tanque, asegúrese de que tanto la cabeza del mismo como la del regulador y los orificios/puertos del quemador, están libres de cualquier suciedad.
2. Conecte el regulador y su manguera al tanque girando la perilla en la dirección de las manecillas de reloj hasta su límite.



Desconectar el tanque de gas propano líquido

1. Antes de desconectar el tanque, asegúrese de que la válvula del tanque de gas propano líquido está en la posición "CLOSED" (cerrado)
2. Desconecte el regulador y su manguera del tanque girando la perilla en la dirección contraria a las manecillas de reloj hasta que esté floja.
3. Coloque la tapa protectora y la cubierta en el tanque de gas propano líquido y almacene el tanque en exteriores en un área con buena ventilación y en donde no le caiga la luz solar directamente.

⚠ PRECAUCIÓN: El tanque de gas propano líquido debe desconectarse correctamente y retirarse antes de mover esta parrilla.



Instrucciones de operación

Detección de fugas

Conexiones del quemador

1. Asegúrese de conectar adecuadamente la válvula del regulador y su manguera al quemador y al tanque.
2. Si alguien armó la unidad para usted, verifique visualmente la conexión entre el tubo del quemador y el orificio.
3. Asegúrese de que el tubo del quemador encaja sobre el orificio.

⚠ ADVERTENCIA: El no inspeccionar esta conexión o seguir debidamente estas instrucciones puede causar incendio o explosión ocasionando muerte, graves lesiones o daños a la propiedad.

4. Por favor, consulte el diagrama para llevar a cabo correctamente la instalación (Figura 1 y 2).
5. Si el tubo del quemador / tubo de venturi del quemador no queda a ras con el orificio, por favor llame al 1.800.762.1142.

Figura 1: Quemadores principales

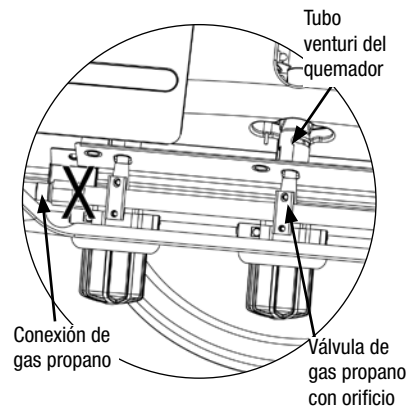
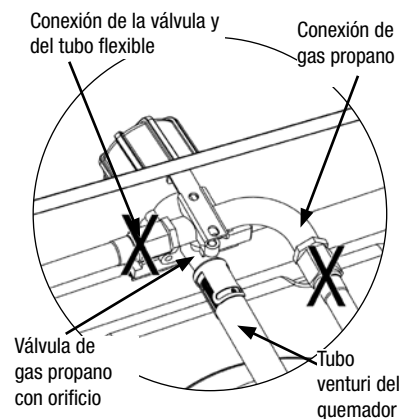


Figura 2: Quemador lateral



Conexión de la línea de gas y del tanque

1. Prepare unos 80 ml de solución para comprobar si hay fugas mezclando una parte de jabón líquido para lavar platos y tres partes de agua.
2. Asegúrese de que las perillas de control están en la Posición "APAGADO". Vea la Figura 3.
3. Conecte el tanque de gas propano líquido siguiendo las instrucciones descritas en la sección "Instalar el tanque de gas propano líquido".
4. Coloque la válvula del tanque de gas propano líquido en la posición "OPEN" (abierto).
5. Aplique con una cuchara varias gotas de la solución, o use un frasco rociador, en todas las ubicaciones marcadas con "X" (vea Figuras 1, 2 y 4).
 - a. Si en cualquier punto aparecen burbujas, cierre el gas girando la válvula del tanque de propano a la posición "CLOSED" (cerrado), vuelva a conectar y verifique nuevamente.
 - b. Si las burbujas continúan apareciendo después de varios ensayos, cierre el gas girando la válvula del tanque de propano a la posición "CLOSED" (cerrado), desconecte el tanque de propano de acuerdo con las instrucciones descritas en la sección "Desconectar el tanque de gas propano líquido" y llame al teléfono 1.800.762.1142 para obtener ayuda.
 - c. Si no aparecen burbujas por un lapso de un minuto, cierre el gas girando la válvula del tanque de propano a la posición "CLOSED" (cerrado) y limpie la solución para continuar el proceso.

Figura 3

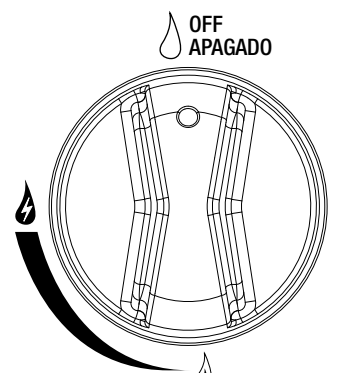
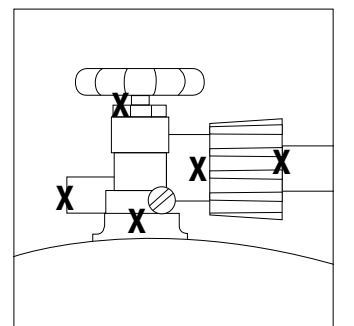


Figura 4



Operación de los quemadores principales

Uso por primera vez

1. Verifique que todos los empaques, etiquetas y envolturas de protección han sido removidos de la parrilla.
2. Retire todo aceite de fabricación que encuentre en la unidad antes de usar la parrilla por primera vez, encendiendo la parrilla por lo menos por 15 minutos en la graduación (alto), con la tapa cerrada. Esto realizará una "limpieza por calor" en las piezas internas de la unidad y hará que los olores se disipen.

Encendido

- ⚠ **PRECAUCIÓN:** Mantenga el área del aparato de cocción para exteriores limpia y libre de materiales combustibles, gasolina y otros líquidos y vapores inflamables.
- ⚠ **PRECAUCIÓN:** No obstruya el flujo del aire de ventilación y combustión.
- ⚠ **PRECAUCIÓN:** Revise y limpie el quemador/tubos venturi para eliminar los insectos y nidos de insectos. Un tubo obstruido puede causar un incendio debajo de la parrilla.
- ⚠ **PRECAUCIÓN:** No trate de encender el quemador con la tapa cerrada ya que puede causar una explosión.

¿Necesita propano?

Disponible en:

Walmart



Instrucciones de operación (continuación)

- Abra la tapa.
- Asegúrese de que no hay nada que obstruya el flujo de aire en la unidad de gas. Arañas y otros insectos pueden formar sus nidos dentro y obstruir los orificios del quemador/tubo de venturi. Un tubo de quemador obstruido puede provocar un incendio debajo del aparato.
- Todas las perillas tienen que estar en la posición "APAGADO". Vea la Figura 3.
- Conecte el tanque de gas propano líquido siguiendo las instrucciones descritas en la sección "Instalar el tanque de gas propano líquido".
- Coloque la válvula del tanque de gas propano líquido en la posición "OPEN" (abierto).
- Presione y gire la perilla de control lentamente a la posición (alto) hasta escuchar un clic. Debe encenderse el quemador. Si no se enciende, repita hasta un máximo de tres veces.
- Si el quemador no se enciende en 5 segundos, gire la perilla de control del quemador a la posición "APAGADO", espere 5 minutos y vuelva a repetir el procedimiento de encendido.
- En caso de que el encendedor no encienda el quemador, use una cerilla encendida colocada en la vara de encendido que se acompaña para encender los quemadores manualmente. Gane acceso a los quemadores por el espacio entre la rejilla de cocción y las placas de distribución de calor. Acerque la llama de la cerilla al lado del quemador (vea Figura 5).

Figura 5

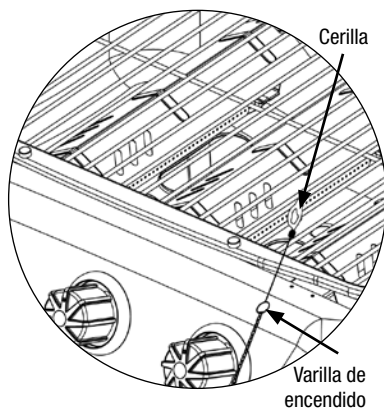
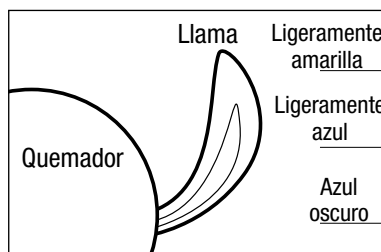


Figura 6



Importante: Use siempre la vara de encendido que se incluye, cuando desee encender los quemadores con una cerilla.

- Después de encender el quemador observe su llama y asegúrese de que todos los orificios estén encendidos y que la altura de la llama corresponda a la del diagrama (vea Figura 6).

Nota: Cada quemador se enciende independientemente, repita los pasos 5 a 9 para los demás quemadores.

- PRECAUCIÓN:** Si la llama del quemador se apaga durante el funcionamiento, cierre el gas inmediatamente girando las perillas a la posición "APAGADO". Cierre la válvula del tanque de gas propano líquido girándola a la posición "CLOSED" (cerrado). Abra la tapa durante 5 minutos para dejar que la zona quede despejada de gas antes de volver a encenderlo.

Apagado

- Cierre la válvula del tanque de gas propano líquido girándola a la posición "CLOSED" (cerrado).
- Gire la perilla de control en el sentido de las manecillas del reloj a la posición "APAGADO".
Nota: El ruido de "puf" es normal cuando el residuo de gas propano licuado en la línea se ha extinguido.
- Desconecte el tanque de propano de acuerdo con las instrucciones descritas en la sección "Desconectar el tanque de gas propano líquido".

Control de las llamadas

- PRECAUCIÓN:** No se pueden apagar fuegos de grasa cerrando la tapa.

- En caso de fuego de grasa, gire las perillas a la posición "APAGADO" y cierre la válvula del tanque de gas propano líquido girándola a la posición "CLOSED" (cerrado). Esto puede ocasionar el salpique de la grasa y causar serias quemaduras, lesiones personales y otros daños.
- No deje la parrilla sin supervisión al precalentar o quemar residuos de alimentos con la perilla en la posición (alto). Si la parrilla no ha sido limpiada, puede incendiarse la grasa y dañar la parrilla.

- ADVERTENCIA:** Cuando esté usando la parrilla, debe tener fácilmente a su alcance materiales para extinguir el fuego. En caso de una llamada de aceite o de grasa, no trate de extinguirla con agua. Use un extinguidor de incendio de sustancias químicas secas, tipo BC, o asfíxiele el fuego con tierra, arena o soda de hornear. No intente extinguir con agua.

La llamada es parte de la cocción de carne en una parrilla y le da al asado un sabor único.

La generación excesiva de llamadas puede recocer su comida y resultar peligroso.

Importante: Las llamadas excesivas resultan de la acumulación de grasa en el fondo de la parrilla.

Si se produce un incendio de grasa, cierre la tapa y gire la(s) perilla(s) de control a "APAGADO" (desactivado) hasta que se consuma la grasa. Tenga cuidado al abrir la tapa ya que pueden producirse llamadas repentinas.

Si se producen llamadas excesivas, **NO** eche agua a las llamas.

Haga mínimas las llamadas:

- Retire el exceso de grasa de la carne antes de cocerla.
- Cuando cueza carnes de alto contenido de grasa, ponga la parrilla a bajo fuego en la graduación (bajo) o cueza la carne a fuego indirecto.
- Verifique que la parrilla ha quedado colocada sobre una superficie no combustible, nivelada y firme, y que la grasa pueda evacuarse hasta el recogedor de grasa.

Operación del quemador lateral

NOTA: Se puede usar el quemador lateral si los quemadores principales están encendidos. Nunca use el quemador lateral como parrilla.

- PRECAUCIÓN:** La carga máxima para el quemador lateral y la repisa lateral es 33 libras (15 kg).
- PRECAUCIÓN:** Si usa ollas más grandes que 5,6 litros de capacidad puede exceder el peso límite de la repisa del quemador lateral y causar un fallo de los componentes del carro de la parrilla.
- PRECAUCIÓN:** NO se apoye en la repisa del quemador lateral.
- PRECAUCIÓN:** No trate de encender el quemador con la tapa cerrada ya que puede causar una explosión.

Encendido

- Abra la tapa.
- Asegúrese de que no hay nada que obstruya el flujo de aire en la unidad de gas. Arañas y otros insectos pueden formar sus nidos dentro y obstruir los orificios del quemador/tubo de venturi. Un tubo de quemador obstruido puede provocar un incendio debajo del aparato.
- La perilla de control tiene que estar en la posición "APAGADO". Vea la Figura 3.
- Conecte el tanque de gas propano líquido siguiendo las instrucciones descritas en la sección "Instalar el tanque de gas propano líquido".
- Coloque la válvula del tanque de gas propano líquido en la posición "OPEN" (abierto).
- Presione y gire la perilla de control lentamente a la posición (alto) hasta escuchar un clic. Debe encenderse el quemador. Si no se enciende, repita hasta un máximo de tres veces.
- Si el quemador no se enciende en 5 segundos, gire la perilla del quemador a la posición "APAGADO", espere 5 minutos y vuelva a repetir el procedimiento de encendido.
- En caso de que el encendedor no encienda el quemador, use una cerilla encendida colocada en la vara de encendido (incluida con la parrilla) para encender los quemadores manualmente. Acerque la llama de la cerilla al lado del quemador (vea Figura 7).

Importante: Use siempre la vara de encendido que se incluye, cuando desee encender los quemadores con una cerilla.

- Después de encender el quemador observe su llama y asegúrese de que todos los orificios estén encendidos y que la altura de la llama corresponda a la del diagrama (vea Figura 6).

- PRECAUCIÓN:** Si la llama del quemador se apaga durante el funcionamiento, cierre el gas inmediatamente girando las perillas a la posición "APAGADO". Cierre la válvula del tanque de gas propano líquido girándola a la posición "CLOSED" (cerrado). Abra la tapa durante 5 minutos para dejar que la zona quede despejada de gas antes de volver a encenderlo.

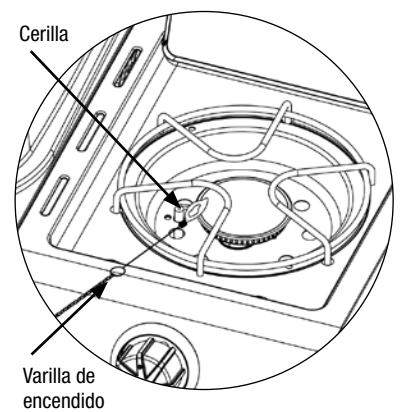
Apagado:

- Cierre la válvula del tanque de gas propano líquido girándola a la posición "CLOSED" (cerrado).
- Gire la perilla de control en el sentido de las manecillas del reloj a la posición "APAGADO".
Nota: El ruido de "puf" es normal cuando el residuo de gas propano licuado en la línea se ha extinguido.
- Desconecte el tanque de propano de acuerdo con las instrucciones descritas en la sección "Desconectar el tanque de gas propano líquido".

Cocción

- Abra la tapa y encienda el quemador siguiendo las instrucciones de encendido.
- Gradúe la perilla de control al nivel deseado.
- Coloque la olla en el centro de la parrilla.
- Deje cocer los alimentos y ajuste la temperatura si es necesario.
- Apague la parrilla de acuerdo con las instrucciones de apagado.

Figura 7



Limpieza y cuidado

⚠ PRECAUCIÓN:

1. **Todas las operaciones de limpieza y mantenimiento deben realizarse con la parrilla fría y con el tanque de propano desconectado.**
2. **NO limpie ninguna pieza de esta parrilla en un horno de limpieza automática. El calor extremo dañará el terminado.**
3. **NO agrande los orificios de las válvulas ni los orificios de los quemadores al limpiar las válvulas o quemadores.**

⚠ **PRECAUCIÓN: Desenchufe el motor del rostizador del tomacorriente cuando no esté en uso y antes de limpiarlo. Deje que se enfríe antes de colocar o retirar piezas.**

Avisos

1. **Esta parrilla debe limpiarse y verificarse completamente de manera regular.**
2. **No use productos de limpieza abrasivos pues dañarán este aparato.**
3. **No utilice nunca productos limpiahornos para limpiar cualquier pieza de la parrilla.**

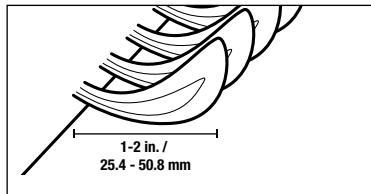
Cada vez que vaya a usar la unidad:

1. Mantenga el rededor de la unidad limpio y libre de materiales combustibles, gasolina, y otros líquidos y vapores inflamables.
2. No obstruya el flujo de aire de combustión del propano líquido ni el aire de ventilación.
3. Mantenga la abertura o aberturas de la zona del tanque de gas propano líquido abiertas y libres de basura.
4. Visualmente examine la llama del quemador para estar seguro de que la parrilla está funcionando adecuadamente (vea la Figura 8).
5. Vea las instrucciones de limpieza más adelante para verificar que las observa apropiadamente.
6. Examine y limpie el quemador y los tubos del venturi de insectos y nidos de insectos. Un tubo atascado puede llevar a un incendio debajo de la parrilla.

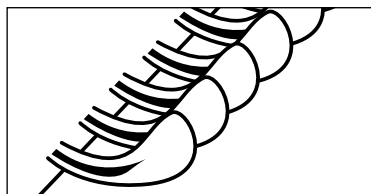
Figura 8

Condiciones de la llama en los quemadores

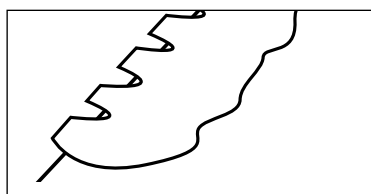
Refiérase a las siguientes figuras para ver si es necesario limpiar sus quemadores.



Normal: Llama de color azul pálido con puntas amarillas de 2,5 a 5 cm de altura



Necesita limpieza: Hace ruido y la llama es de un azul vivo.



Debe limpiarse: La llama es amarilla y ondulante.

Limpieza de las superficies

1. Limpie las superficies con un detergente suave de lavado de platos o con soda de hornear mezclado con agua.
2. En superficies de limpieza difícil, use un desengrasador a base de cítricos y un cepillo de nilón.
3. Enjuague las superficies con agua limpia.
4. Deje las superficies secar al aire libre.

Limpieza de los quemadores principales

1. Cierre la válvula del tanque de gas propano líquido girándola a la posición "CLOSED" (cerrado).
2. Gire todas las perillas de control en la dirección de las manecillas del reloj a la posición "APAGADO".
Nota: El ruido de "puf" es normal cuando el residuo de gas propano licuado en la línea se ha extinguido.
3. Desconecte el tanque de propano de acuerdo con las instrucciones descritas en la sección "Desconectar el tanque de gas propano líquido" y guárdelo en un lugar apropiado.
4. Retire las rejillas de cocción y las placas de distribución de calor.
5. Retire los quemadores, quitando los sujetadores que aseguran los quemadores al fondo de la parrilla.
6. Saque los quemadores, levantándolos y alejándolos del orificio de la válvula de gas.
7. Desconecte el alambre del electrodo que produce la chispa.
8. Limpie el venturi del quemador usando un cepillo pequeño de limpiar botellas o un chorro de aire comprimido.
9. Retire todo residuo de comida o desperdicio que haya quedado en la superficie del quemador.
10. Limpie orificios que se encuentren obstruidos, usando un alambre firme (tal como un sujetapapeles abierto).
11. Inspeccione el quemador para verificar si tiene daños (grietas o perforaciones). Si encuentra daños, sustitúyalo con un nuevo quemador del mismo fabricante.
12. Vuelva a instalar los quemadores, verificando que los orificios de la válvula de gas quedan colocados correctamente dentro del venturi de cada quemador. También verifique la posición del electrodo de chispa.

13. Vuelva a colocar las placas de distribución de calor y las rejillas de cocción.
14. **PROPANO (PL):** Conecte el tanque de propano de acuerdo con las instrucciones descritas en la sección "Instalar el tanque de gas propano líquido".
GAS NATURAL (GN): Conecte la línea principal de gas natural de acuerdo con las instrucciones descritas en la sección "Instalar la línea de gas natural".
15. Haga una prueba de fugas. Vea la sección "Detección de fugas".

Limpieza del quemador lateral

1. Cierre la válvula del tanque de gas propano líquido girándola a la posición "CLOSED" (cerrado).
2. Gire todas las perillas de control en la dirección de las manecillas del reloj a la posición "APAGADO".
Nota: El ruido de "puf" es normal cuando el residuo de gas propano licuado en la línea se ha extinguido.
3. Desconecte el tanque de propano de acuerdo con las instrucciones descritas en la sección "Desconectar el tanque de gas propano líquido" y guárdelo en un lugar apropiado.
4. Retire la rejilla del quemador lateral.
5. Retire el quemador, quitando los tornillos que aseguran el quemador en la repisa lateral.
6. Saque el quemador, levantándolo y alejándolo del orificio de la válvula de gas.
7. Limpie el venturi del quemador usando un cepillo pequeño de limpiar botellas o un chorro de aire comprimido.
8. Retire todo residuo de comida o desperdicio que haya quedado en la superficie del quemador.
9. Limpie los orificios que se encuentren obstruidos, usando un alambre firme (tal como un sujetapapeles abierto).
10. Inspeccione el quemador para verificar si tiene daños (grietas o perforaciones). Si encuentra daños, sustitúyalo con un nuevo quemador del mismo fabricante.
11. Vuelva a instalar el quemador, verificando que los orificios de la válvula de gas quedan colocados correctamente dentro del venturi del quemador. También verifique la posición del electrodo de chispa.
12. Vuelva a colocar la rejilla del quemador lateral.
13. Conecte el tanque de propano de acuerdo con las instrucciones descritas en la sección "Instalar el tanque de gas propano líquido".
14. Haga una prueba de fugas. Vea la sección "Detección de fugas".

Antes de almacenar

1. Cierre la válvula del tanque de gas propano líquido girándola a la posición "CLOSED" (cerrado).
2. Gire todas las perillas de control en la dirección de las manecillas del reloj a la posición "APAGADO".
Nota: El ruido de "puf" es normal cuando el residuo de gas propano licuado en la línea se ha extinguido.
3. Desconecte el tanque de propano de acuerdo con las instrucciones descritas en la sección "Desconectar el tanque de gas propano líquido" y guárdelo en un lugar apropiado.
4. Limpie las superficies.
5. Cubra con una capa delgada de aceite de cocinar los quemadores para evitar que se oxiden excesivamente.
6. Si almacena la parrilla en interiores, desconecte el tanque de gas propano, vea la sección "Desconectar el tanque de gas propano líquido", y deje el tanque de gas propano en EXTERIORES.
7. Coloque la tapa protectora y la cubierta en el tanque de gas propano líquido y almacene el tanque en exteriores en un área con buena ventilación y en donde no le caiga la luz solar directamente.
8. Si guarda la parrilla en el interior, cúbrala y guárdela en un lugar fresco y seco.
9. Si almacena la parrilla en exteriores, cubra la parrilla con una cubierta para parrilla para protegerla contra las inclemencias del tiempo.

Registro del producto

Para beneficiar del servicio de garantía más rápidamente, sírvase registrar su unidad inmediatamente visitando nuestro sitio Internet BlueRhino.com/warranty o llamando al 1.800.762.1142.

Piezas de repuesto

Puede encontrar piezas de repuesto en parts.BlueRhino.com o llame al 1.800.762.1142.



Garantía limitada

Blue Rhino Global Sourcing, Inc. ("Blue Rhino") garantiza al comprador original al detal de este producto, y a ninguna otra persona, siempre que la unidad se arme y opere de acuerdo con las instrucciones impresas que la acompañan, por un período de cinco (5) años para los quemadores y un (1) año para el resto de partes contados a partir de la fecha de compra, que todas las piezas de dicho producto estarán libres de defectos en material y mano de obra. Blue Rhino podrá requerir prueba razonable de la fecha de compra. Por lo tanto, usted debe conservar el recibo de venta o la factura. Esta garantía limitada estará limitada a la reparación o reemplazo de las piezas que resulten defectuosas en condiciones de servicio y uso normal y las que un examen indique, a satisfacción de Blue Rhino, que están defectuosas. Antes de devolver cualquier pieza, comuníquese con el Departamento de Servicio al Cliente de Blue Rhino. Si Blue Rhino confirma el defecto y aprueba el reclamo, Blue Rhino decidirá reemplazar tales partes sin costo alguno. Si se le pide que devuelva las partes defectuosas, los costos de transporte deberán ser prepagados. Blue Rhino devolverá las partes al cliente con costo de transporte o envío prepagados.

Esta garantía limitada no cubre fallas o dificultades de operación debidas a accidente, abuso, mal uso, alteración, empleo en usos inapropiados, instalación defectuosa o mantenimiento o servicio inapropiado o falla en la realización de mantenimiento normal y rutinario como se prescribe en este manual del usuario. Además, la garantía limitada no cubre daños al terminado de la unidad, tales como rasguños, abolladuras, descoloridos, oxidaciones y otros daños causados por la intemperie después de la compra de la unidad.

Esta garantía limitada reemplaza cualquier otra garantía. Blue Rhino no asume ninguna responsabilidad por garantías de productos vendidos por quienes no sean distribuidores o vendedores al detal autorizados. Esta exención de responsabilidad incluye cualquier garantía de comerciabilidad o la garantía de aptitud para un propósito en particular. BLUE RHINO NO SE HACE RESPONSABLE POR NINGUNA GARANTIA IMPLICITA INCLUYENDO, SIN LIMITACIONES, LAS GARANTIAS IMPLICITAS DE COMERCIABILIDAD Y ADAPTABILIDAD A UN PROPOSITO PARTICULAR. BLUE RHINO NO ASUME RESPONSABILIDAD ANTE EL COMPRADOR O ANTE CUALQUIER TERCERA PERSONA POR DAÑOS ESPECIALES, INDIRECTOS, PUNITIVOS, INCIDENTALES O CONSECUENCIALES. Blue Rhino, además, no asume responsabilidad por garantías implícitas o expresas por defectos de mano de obra causados por terceras personas. Esta garantía limitada le da al comprador derechos legales específicos y el comprador puede tener otros derechos según el lugar donde el comprador o la compradora residan. Ciertas jurisdicciones no permiten limitaciones en cuanto a la duración de una garantía implícita, de manera que esta limitación puede no ser aplicable a usted.

Blue Rhino no autoriza a ninguna persona o compañía para asumir por Blue Rhino cualquier otra obligación a responsabilidad relacionada con la venta, instalación, uso, remoción, devolución o reemplazo de este equipo y cualquier representación de esta naturaleza no obliga a Blue Rhino.

Blue Rhino Sourcing, Inc.
Winston-Salem, North Carolina 27105, EE.UU.
(800)-762-1142

Resolución de problemas

Problema	Causa posible	Prevención/solución
El quemador no se enciende utilizando el encendedor.	La válvula del tanque de gas propano está cerrada.	Asegúrese de que el regulador esté conectado de manera segura en el tanque de gas propano, gire la válvula del tanque de gas propano a la posición "OPEN" (abierta).
	El tanque de gas propano está bajo o vacío.	Cambie, reemplace o vuelva a llenar el tanque de propano.
	Fuga de gas propano	1. Cierre la válvula del tanque de gas propano líquido girándola a la posición "CLOSED" (cerrado). 2. Espere 5 minutos para que se disperse el gas. 3. Siga las indicaciones de "Inspección de fugas" descritas en el manual del usuario.
	Cables o electrodos cubiertos con restos de alimentos.	Limpie el cable y/o electrodo con alcohol isopropílico.
	Los electrodos y los quemadores están mojados.	Séquelos con un paño.
	Electrodo agrietado o roto; chispas en las grietas.	Pueden necesitarse piezas de repuesto. Comuníquese con el Servicio al Cliente al 800.762.1142
	Cable suelto o desconectado.	Puede ser necesario volver a conectar el cable u obtener piezas de repuesto. Comuníquese con el Servicio al Cliente al 800.762.1142
	El cable tiene un cortocircuito (chispeo) entre el encendedor y el electrodo.	Pueden necesitarse piezas de repuesto. Comuníquese con el Servicio al Cliente al 800.762.1142
El quemador no se enciende con una cerilla.	Encendedor defectuoso.	Pueden necesitarse piezas de repuesto. Comuníquese con el Servicio al Cliente al 800.762.1142
	No hay flujo de gas.	Compruebe si el tanque de propano líquido está vacío. A. Si está vacío, cámbielo, reemplácelo o vuelva a llenarlo. B. Si el tanque de propano líquido no está vacío, consulte la sección "Caída repentina del flujo de gas o altura de llama insuficiente" de esta página (vea más abajo).
	Nivel de gas del tanque de propano bajo o tanque vacío.	Cambie, reemplace o vuelva a llenar el tanque de propano.
	Fuga de gas propano	1. Cierre la válvula del tanque de gas propano líquido girándola a la posición "CLOSED" (cerrado). 2. Espere 5 minutos para que se disperse el gas. 3. Siga las indicaciones de "Inspección de fugas" descritas en el manual del usuario.
	La tuerca de acoplamiento no está conectada por completo.	Gire la tuerca de acoplamiento entre media vuelta y tres cuartos de vuelta hasta que haga tope con firmeza. Apriete únicamente a mano, sin utilizar ninguna herramienta.
	Obstrucción del flujo de gas.	1. Limpie los tubos del quemador. 2. Verifique que la manguera no esté torcida o doblada.
	Desacoplamiento del quemador a la válvula.	Vuelva a conectar el quemador y la válvula.
	Telarañas o nidos de insectos en el venturi.	Limpie el tubo de venturi y el tubo del quemador.
Caída repentina del flujo de gas o altura de la llama insuficiente.	Orificios del quemador atascados u obstruidos.	Limpie las bocas del quemador.
	Sin gas	Cambie, reemplace o vuelva a llenar el tanque de propano.
Falta de uniformidad en la llama, la llama no cubre toda la longitud del quemador.	Puede que se haya activado el dispositivo de seguridad de exceso de flujo.	1. Gire las perillas de control a la posición "APAGADO" 2. Espere 30 segundos y encienda la parrilla. 3. Si las llamas continúan siendo demasiado bajas reinicie el dispositivo de seguridad de flujo excesivo: a. Gire la(s) perilla(s) de control a la posición "APAGADO". b. Cierre el gas girando la válvula del tanque de propano líquido a la posición "CLOSED" (cerrado). c. Desconecte el regulador. d. Gire las perillas de control a la posición 🔥 (alto). e. Espere 1 minuto. f. Gire las perillas de control a la posición "APAGADO" g. Vuelva a conectar el regulador y verifique las conexiones para averiguar que no haya fugas. Tenga cuidado, asegúrese de no abrir la válvula completamente h. Encienda la parrilla conforme a las instrucciones de encendido.
	Las bocas del quemador están atascadas u obstruidas.	Limpie los orificios del quemador.
La llama es de color amarillo o anaranjado.	Puede que el nuevo quemador tenga aceites residuales del proceso de fabricación.	Haga funcionar la parrilla en 🔥 (alto) durante 15 minutos con la tapa cerrada.
	Telarañas o nidos de insectos en el venturi.	Limpie el venturi.
	Restos de alimentos, grasa o sal para condimentar en el quemador.	Limpie el quemador.
	La válvula no queda correctamente alineada con el venturi del quemador	Asegúrese de que el tubo venturi del quemador está conectado adecuadamente a la válvula.
La llama se apaga.	Vientos fuertes o racheados.	No use la parrilla cuando hay vientos fuertes.
	Nivel de gas del tanque de propano bajo.	Cambie, reemplace o vuelva a llenar el tanque de propano.
	Puede que se haya activado el dispositivo de seguridad de exceso de flujo.	Consulte la sección "Caída repentina del flujo de gas o altura de llama insuficiente" de esta página (vea más arriba).

Resolución de problemas (continuación)

Problema	Causa posible	Prevención/solución
Fogonazo.	Formaciones de grasa.	Retire y limpie todas las partes de la parrilla según lo indicado en la sección "Limpieza y cuidado"
	Carne con exceso de grasa.	Retire la grasa de la carne antes de ponerla en la parrilla.
	Se está utilizando una temperatura excesiva para cocinar.	Ajuste (baje) la temperatura según corresponda.
La grasa provoca un fuego persistente.	Grasa atascada por la acumulación de comida alrededor del sistema de quemadores.	<ol style="list-style-type: none"> 1. Gire las perillas de control a la posición "APAGADO". 2. Cierre la válvula del tanque de gas propano líquido girándola a la posición "CLOSED" (cerrado). 3. Deje la tapa cerrada y deje que el fuego se consuma. 4. Una vez se haya enfriado la parrilla, quite y limpie todas las piezas siguiendo las instrucciones de "Limpieza y cuidado" del manual del usuario.
Centelleos (hay fuego en el(los) tubo(s) del quemador).	El quemador y/o juegos de quemadores están bloqueados.	Limpie el quemador y/o el (los) tubo(s) del quemador.
El interior de la tapa se está pelando; igual que cuando se pela la pintura.	La acumulación de grasa se ha convertido en carbón y se está desmenuzando.	Limpie todas las piezas de la parrilla según lo indicado en las instrucciones de "Limpieza y cuidado" del manual del usuario.

Para ayuda más detallada, sírvase visitarnos en BlueRhino.com o llámanos al 1.800.762.1142.