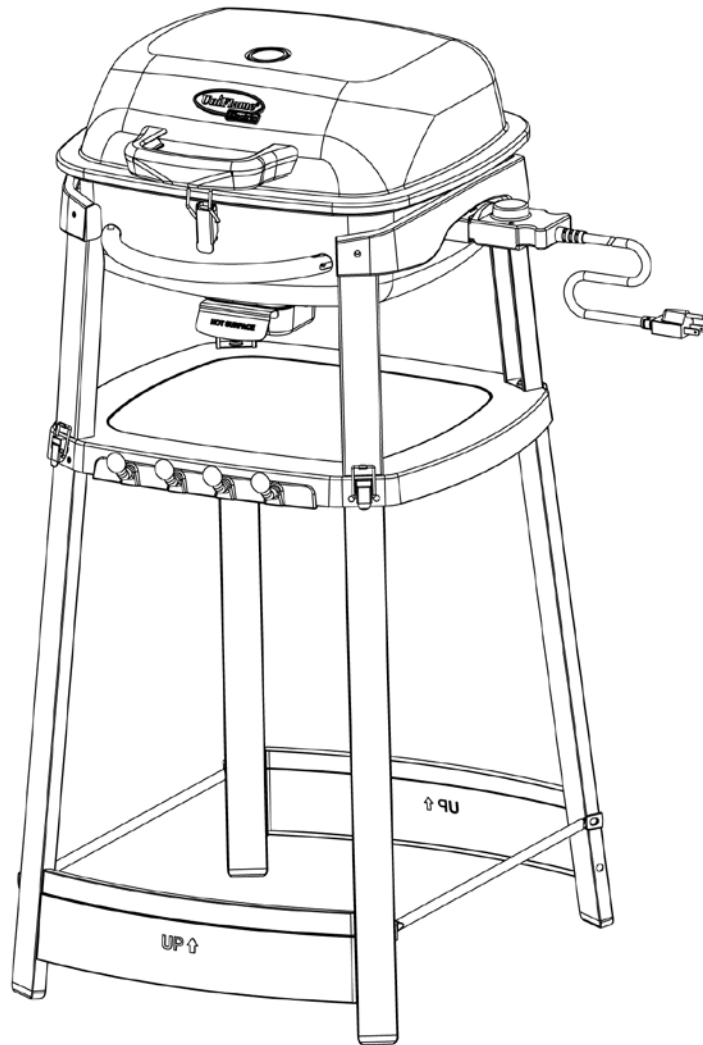


Outdoor Electric Barbecue Grill

Model No. EBC1252W



WARNING
FOR YOUR SAFETY:
For Outdoor Use Only
(outside any enclosure)

WARNING
FOR YOUR SAFETY:

1. Improper installation, adjustment, alteration, service or maintenance can cause injury or property damage.
2. Read the installation, operation, and maintenance instructions thoroughly before installing or servicing this equipment.
3. Failure to follow these instructions could result in fire or explosion, which could cause property damage, personal injury or death.
4. This instruction manual contains important information necessary for the proper assembly and safe use of the appliance.
5. Read and follow all warnings and instructions before assembling and using the appliance.
6. Follow all warnings and instructions when using the appliance.
7. Keep this manual for future reference.

WARNING
FOR YOUR SAFETY:

1. Do not store or use gasoline or other flammable liquids or vapors in the vicinity of this or any other appliance.
2. When cooking with oil/grease do not allow the oil/grease to exceed 350°F (176.5°C). Do not store or use extra cooking oil in the vicinity of this or any other appliance.

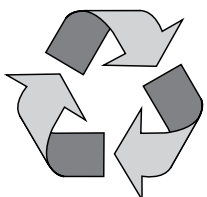
DANGER
Never operate this appliance unattended.

Danger
Do NOT use electric grill for indoor cooking or heating. NOT to be used in or on boats or recreational vehicles.

Table of Contents

Important Safeguards	Page 2
Exploded View & Hardware	3
Assembly Instructions	4
Operating Instructions	8
First Use	8
Cooking	8
Tips	8
Cleaning and Care	8
Product Registration	9
Limited Warranty	9

Save these instructions for future reference. If you are assembling this unit for someone else, give this manual to him or her to read and save for future reference.



Made from 75% Bagasse

(Environmentally Friendly Sugar Cane Pulp By-product)



C US

Manufactured in China for: Blue Rhino Global Sourcing, Inc
Winston-Salem, NC USA • 1.800.762.1142, www.bluerhino.com

© Blue Rhino Global Sourcing, Inc. All Rights Reserved
UniFlame® is a Registered Trademark of Blue Rhino Global Sourcing, Inc. All Rights Reserved.
Factory name: Foshanshi Juniu Metal Manufactory Co., Ltd. 1500W, 120 V, 60 HZ, AC



IMPORTANT SAFEGUARDS

When using electrical appliances, basic safety precautions should always be followed including the following:

1. Read all instructions.
2. Do not touch hot surfaces. Use handles or knobs.
3. To protect against electrical shock do not immerse cord, plugs or heating element in water or other liquids.
4. Close supervision is necessary when any appliance is used by or near children.
5. Unplug from outlet when not in use and before cleaning. Allow to cool before putting on or taking off parts.
6. Do not operate any appliance with a damaged cord or plug or after the appliance malfunctions or has been damaged in any manner. Return appliance to the nearest authorized service facility for examination, repair or adjustment.
7. The use of accessory attachments not recommended by the appliance manufacturer may cause injuries.
8. Do not let cord hang over edge of table or counter or touch hot surfaces.
9. Do not palce on or near a hot gas or electric burner or in a heated oven.
10. Extreme caution must be used when moving an appliance containing hot oil or other hot liquids.
11. Always attach plug to appliance first, then plug cord into the wall outlet. To disconnect, turn the control to "OFF", then remove plug from wall outlet.
12. Do not use appliance for other than intended use.

13. Fuel, such as charcoal briquettes, is not to be used with appliance.
14. Use only on properly grounded outlet.
15. A short power-supply cord (or detachable power-supply cord) should be used to reduce the risk resulting from becoming entangled in or tripping over a longer cord.
16. Longer detachable power-supply cords or extension cords are available and my be used is care is exercised in their use.
17. If a longer detachable power-supply cord or extension cord is used:
 - a. The marked electrical rating of the cord set or extension cord should be at lease as great as the electrical rating of the appliance; and
 - b. The cord should be arranged so that it will not drape over the countertop or tabletop where it can be pulled on by children or tripped over unintentionally.
18. Outdoor extension cords should be used with outdoor use products and are surface marked with the suffix letter "W" and with a tag stating "Suitable for use with outdoor appliances".
19. A statement indicating that the connection to an extension cord should be kept dry and off the ground.
20. Store products infoors when not in use – out of the reach of children.
21. Do not clean this product with a water spray or the like.

22. SAVE THESE INSTRUCTIONS.

▲ DANGER: Failure to follow the dangers, warning and cautions in this manual may result in serious bodily injury or death, or in a fire or an explosion causing damage to property.

▲ WARNING:

- ▲ This grill is for outdoor use only, and shall not be used in a building, garage or any other enclosed area.
- ▲ Do NOT operate, light or use this appliance within ten (10) feet (3.05 m) of walls, structures or buildings.
- ▲ For residential use only. This grill is NOT for commercial use.
- ▲ This grill is not intended for and should never be used as a heater. TOXIC fumes can accumulate and cause asphyxiation.
- ▲ This grill is safety certified for use in the United States and/or Canada only. Do not modify for use in any other location. Modification will result in a safety hazard.
- ▲ Apartment Dwellers: Check with management to learn the requirements and fire codes for using an electric grill in your apartment complex. If allowed, use outside on the ground floor with a ten (10) foot (3.05 m) clearance from any structure. Do not use on or under balconies.
- ▲ This grill is for use with electricity.
- ▲ This is not a tabletop grill. Therefore, do not place this grill on any type of tabletop surface.
- ▲ Do not use 16 gauge extension cords. Damage to household wiring and/or fire could result.
- ▲ **ELECTRIC SHOCK CAN KILL OR RESULT IN SERIOUS INJURY. TO PREVENT ELECTRICAL SHOCK:**
 - a. Use only with GFI (Ground Fault Interrupter) protected circuit.
 - b. Do not use grill when raining.
 - c. To prevent grill from being splashed or falling into water, do not use grill within ten (10) feet (3.05 m) of pool, pond or other body of water.
 - d. Keep grill and electric controller dry and out of rain when not in use.
 - e. Do not operate grill with an electric controller that has a damaged cord, plug, or metal probe. Use only the controller provided. The replacement controller shall be that specified by the manufacturer.
 - f. Never remove grounding plug, or use with an adapter to two prongs.
 - g. Keep electric plugs off ground, and dry.
 - h. In case of fire, turn controller OFF, unplug grill from outlet and allow fire to burn out. Do not use water to put out a fire in this or any other electrical appliance.
 - i. Do not use water or other liquid spray to clean grill without first unplugging electric controller and removing heating element.
- ▲ Do not block holes on any part of the grill.
- ▲ The use of alcohol, prescription or non-prescription drugs may impair the consumer's ability to properly assemble or safely operate the appliance.
- ▲ Never use charcoal, lighter fluid, lava rocks, gasoline, kerosene or alcohol with this product.
- ▲ Do not store or use gasoline or other flammable liquids or vapors within 25 feet (7.62 m) of this appliance.
- ▲ Do not use in an explosive atmosphere. Keep grill area clear and free from combustible materials, gasoline and other flammable vapors and liquids.
- ▲ Minimum clearance from sides and back of unit to combustible construction is 36 inches (91.4 cm). Do not use this appliance under any type of overhang or roof.
- ▲ Do not alter grill in any manner. Any alteration will void your warranty.
- ▲ Do not use the grill unless it is COMPLETELY assembled and all parts are securely fastened and tightened.

- ▲ Do not build this model of grill in any built-in or slide in construction. Ignoring this warning could cause a fire or an explosion that can damage property and cause serious bodily injury or death.
- ▲ This grill should be thoroughly cleaned and inspected on a regular basis. Clean and inspect the temperature control assembly / electric cord before each use of the appliance. If there is evidence of abrasion, wear or cuts, the temperature control assembly / electric cord must be replaced prior to the appliance being put into operation.
- ▲ Use only OVIS Enterprises Co., Ltd, Model OPT-001 cord Type SJTOW, Temperature-Controlling Plug
- ▲ Do not operate this appliance without reading "Operating Instructions" in this manual.
- ▲ Do not touch metal parts of grill until it has completely cooled (about 45 min.) to avoid burns, unless you are wearing protective gear (pot holders, gloves, BBQ mittens, etc.).
- ▲ Parts of grill may be hot until it has completely cooled (about 45 min.). To avoid burns, wear protective gear (pot holders, gloves, BBQ mittens, etc.) when using grill.
- ▲ Do not install or use in or on boats or recreational vehicles.
- ▲ When cooking, fire extinguishing materials shall be readily accessible. In the event of an oil/grease fire, do not attempt to extinguish with water. Use type BC dry chemical fire extinguisher or smother with dirt, sand or baking soda.
- ▲ Do not use grill in high winds.
- ▲ Never lean over the grill when lighting.
- ▲ Do not leave a lit grill unattended, especially keep children and pets away from grill at all times.
- ▲ Do not leave grill unattended while preheating or burning off food residue on high. If grill has not been cleaned, a grease fire can occur that may damage the product.
- ▲ Do not place empty cooking vessels on the appliance while in operation.
- ▲ Use caution when placing anything on the grill while the appliance is in operation.
- ▲ Do not attempt to move grill when in use. Allow the grill to cool before moving or storing.
- ▲ Always open grill lid carefully and slowly as heat and steam trapped within grill can severely burn you.
- ▲ Always use your grill on a hard, non-combustable, level surface.
- ▲ Keep all electrical cords away from a hot grill.
- ▲ The use of accessory attachments not recommended by the appliance manufacturer may cause injuries.
- ▲ After a period of storage and/or nonuse, inspect for any abrasion, wear, cuts to the controller and electrical cord.
- ▲ Never operate grill without heat plates installed.
- ▲ Always use a meat thermometer to ensure food is cooked to a safe temperature.
- ▲ Use protective gloves when assembling this product.
- ▲ Do not force parts together as this can result in personal injury or damage to the product.
- ▲ Never cover entire cooking area with aluminum foil.
- ▲ If the supply cord is damaged, it must be replaced by the manufacturer, its service agent or similarly qualified persons in order to avoid a hazard.

Contact 1.800.762.1142 for assistance. Do not return to place of purchase.
For great recipes and tips, visit recipes.uniflame.com

⚠ This appliance is not intended for use by persons (including children) with reduced physical, sensory or mental capabilities, or lack of experience and knowledge unless they have been given supervision or instructions concerning the use of the appliance by a person responsible for their safety. Children should be supervised to ensure that they do not play with the appliance.

⚠ Deaths, serious injury or damage to property may occur if the above is not followed exactly.

Parts List			Exploded View	
1	Lid Handle	55-11-463		
2	Temperature Gauge	55-07-233		
3	Brand Plate*	55-11-478		
4	Temperature Gauge Support	55-09-378		
5	Lid	55-22-208		
6	Cooking Grid	55-22-209		
7	Top Hinge (2)	55-15-330		
8	Bottom Hinge (2)	55-14-653		
9	Heating Element	55-22-210		
10	Bottom Bowl	55-22-211		
11	Temperature Control Assembly / Electric Cord	55-11-910		
12	Heat Reflector Plate*	55-22-212		
13	Lock*	55-09-537		
14	Grease Cup	55-09-075		
15	Side Handle (2)	55-22-283		
16	Grill Leg (4)	55-22-213		
17	Grill Leg Support (2)	55-22-214		
18	Base Top	55-22-215		
19	Tool Holder	55-11-472		
20	Base Leg (4)	55-22-216		
21	Base Panel (2)	55-22-217		
22	Base Support (2)	55-22-218		
23	Base Foot (4)*	55-11-475		

* Pre-Assembled

Hardware			
A	Screw	M4x10 Black Phillips Truss Head	2 pcs
B	Screw	M5x12 Black Phillips Truss Head	16 pcs
C	Screw	M5x25 Black Phillips Truss Head	4 pcs
D	Screw	M5x50 Black Phillips Truss Head	8 pcs
E	Screw	M6x15 Black Phillips Truss Head	4 pcs
F	Wing Nut	M5 Steel	14 pcs
G	Washer	ø5 Nickel Plated	8 pcs
H	Washer	ø6 Nickel Plated	6 pcs
I	Washer	ø6 Heat Resistant	12 pcs
J	Lock Washer	ø5 Nickel Plated	8 pcs
K	Pin	ø5x30 Nickel Plated	2 pcs
L	Cotter Pin	ø1.4x30 Steel	2 pcs

Tools Required for Assembly (Included)

#2 Phillips Head Screwdriver 1 pc

Assembly Instructions

1 DO NOT RETURN PRODUCT TO STORE.

For assistance call **1.800.762.1142** toll free. Please have your owner's manual and model number available for reference.

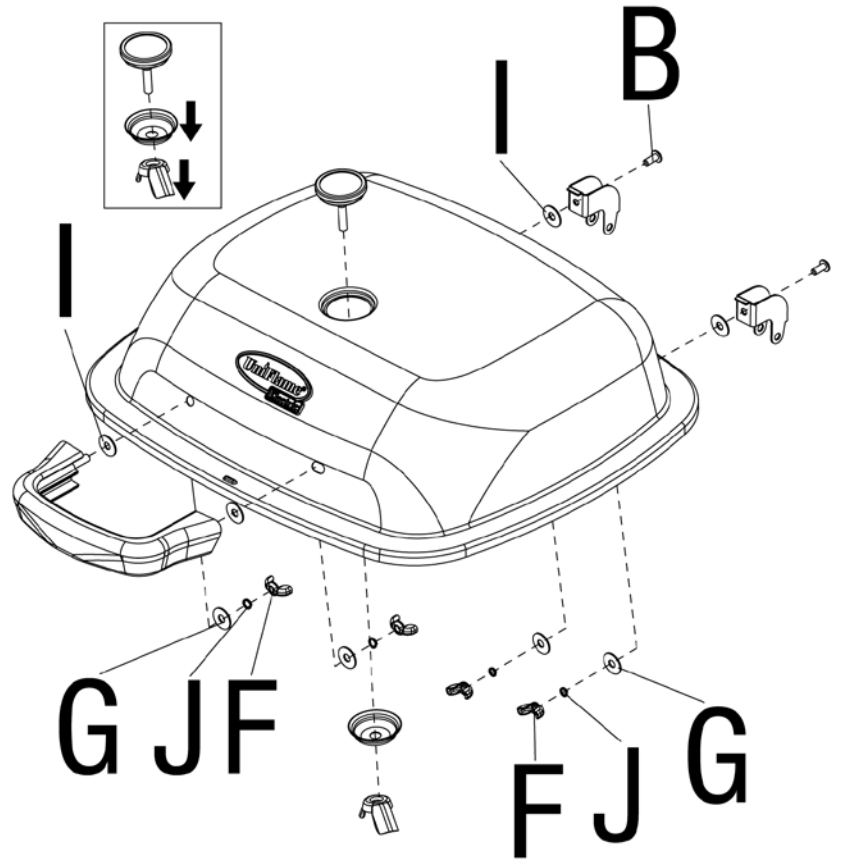
Note: The model number can be found on the back or side of the cart assembly.

For Easiest Assembly:

- To avoid losing any small components or hardware, assemble your product on a level surface that does not have cracks or openings.
- Clear an area large enough to layout all components and hardware and that is soft to not scratch or damage any surface finishes.
- When applicable, tighten all hardware connections by hand first. Once the step is completed go back and fully tighten all hardware while being cautious not to over tighten to avoid damaging surfaces or stripping hardware.
- Follow all steps in order to properly assemble your product.

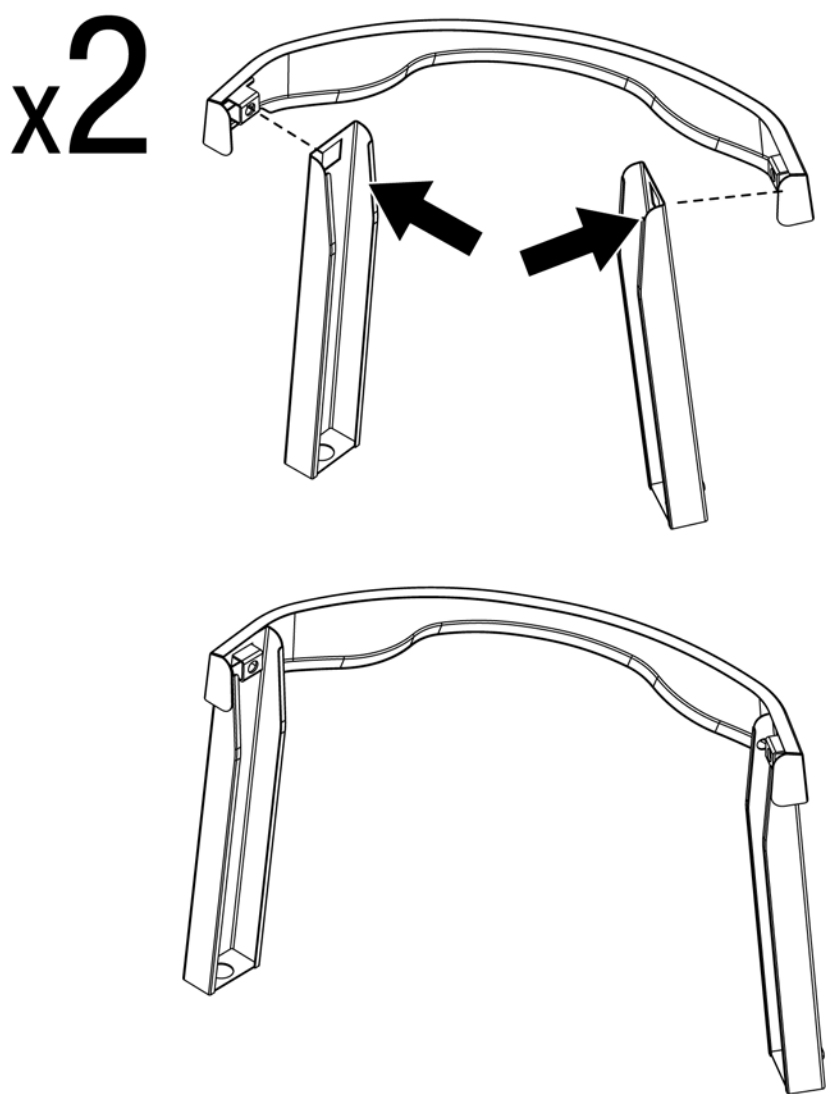
Typical assembly: approximately 30 minutes.

2 Attach Temperature Gauge, Top Hinges and Lid Handle

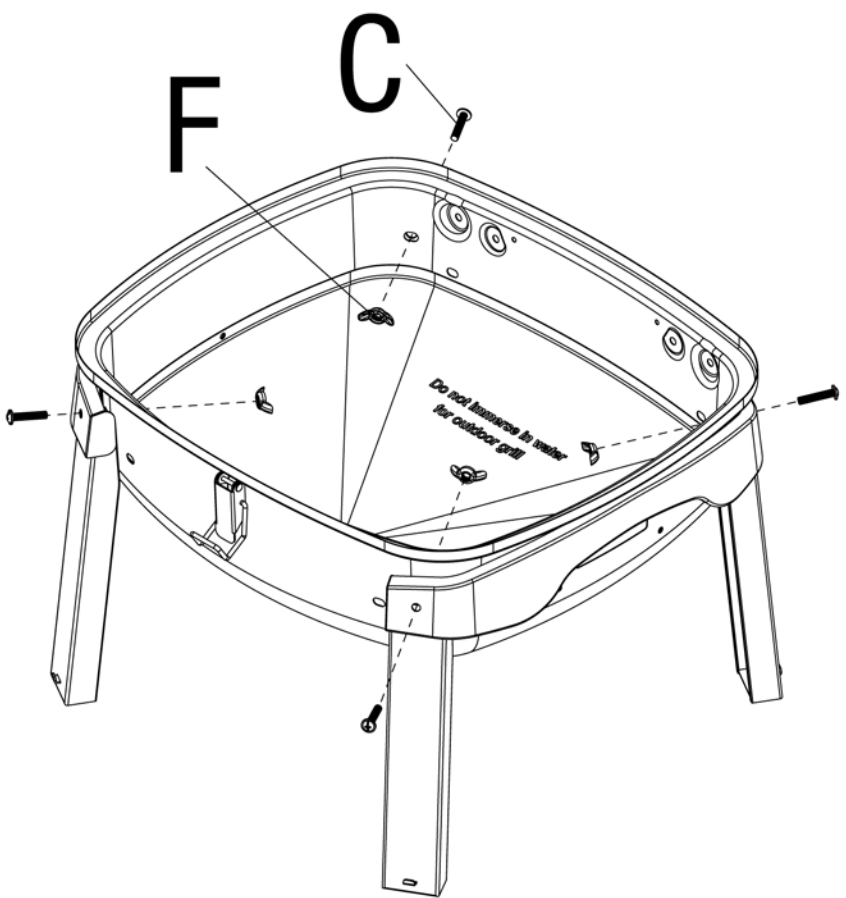


- | | | | |
|---|-----|---|-----|
| B | x 2 | G | x 4 |
| F | x 4 | I | x 4 |
| | | J | x 4 |

3 Assemble Grill Legs and Side Handles

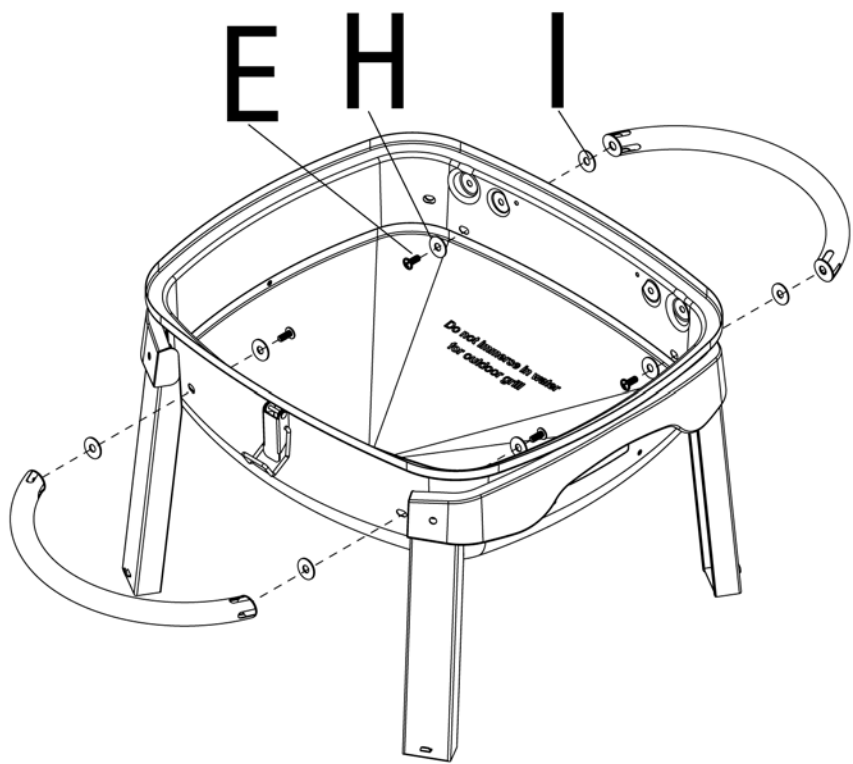


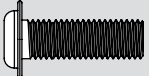


4 Attach Grill Legs



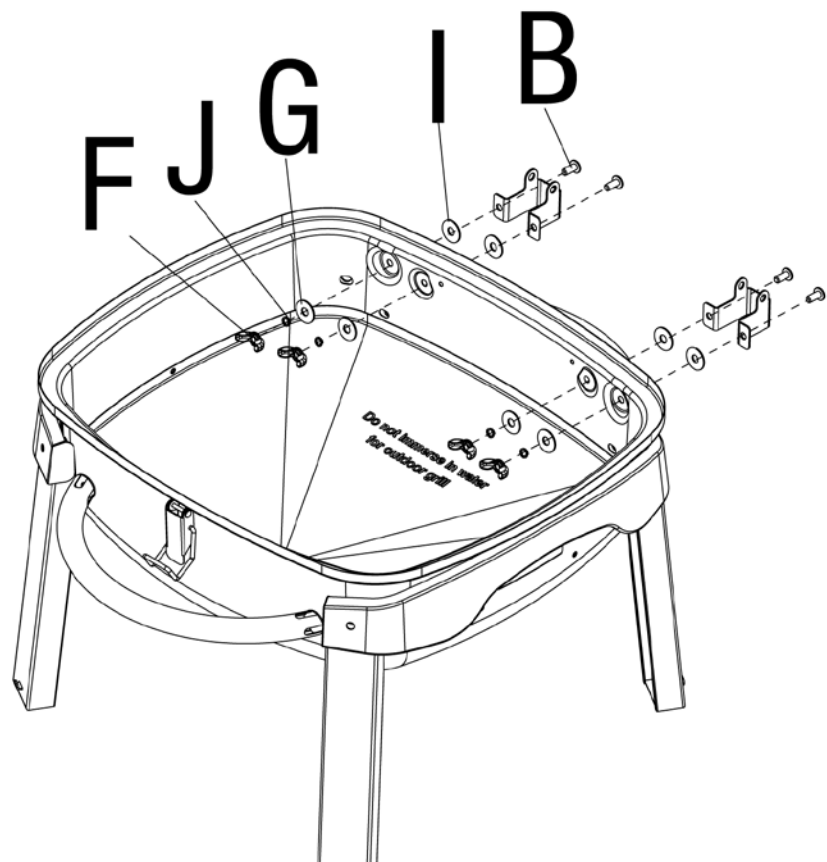
- | | | | |
|---|-----|---|-----|
| C | x 4 | F | x 4 |
|---|-----|---|-----|

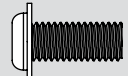




5 Attach Grill Leg Supports



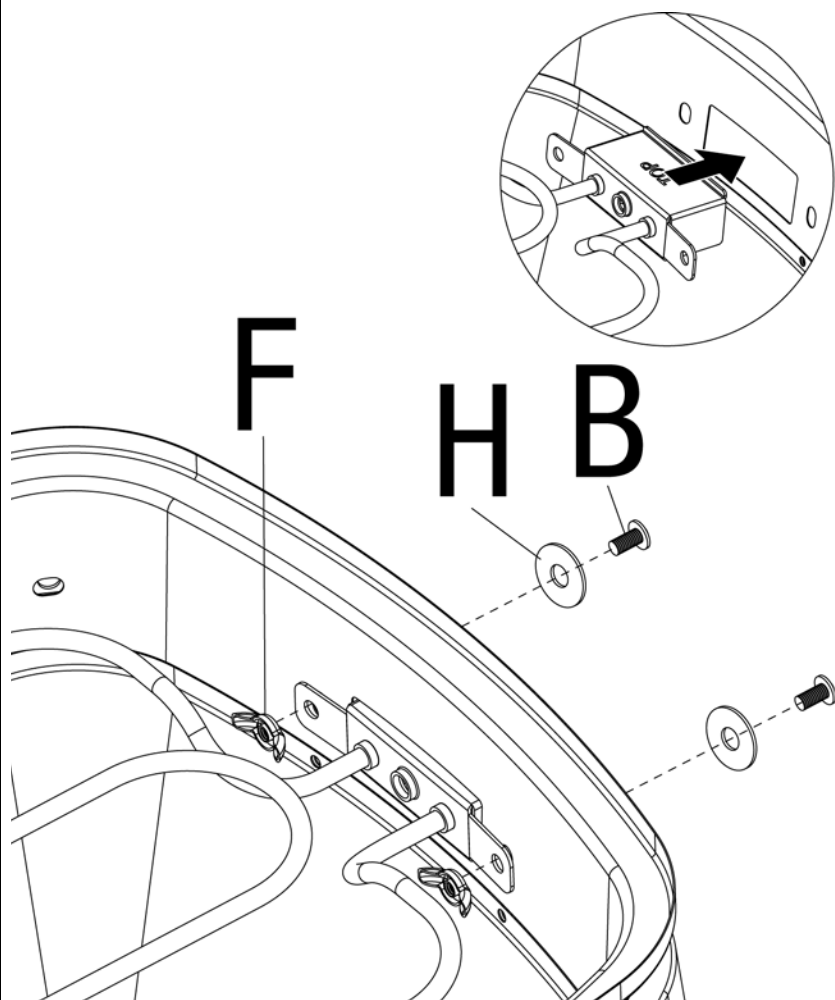
- E  x4
- H  x4
- I  x4

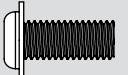


6 Attach Bottom Hinges



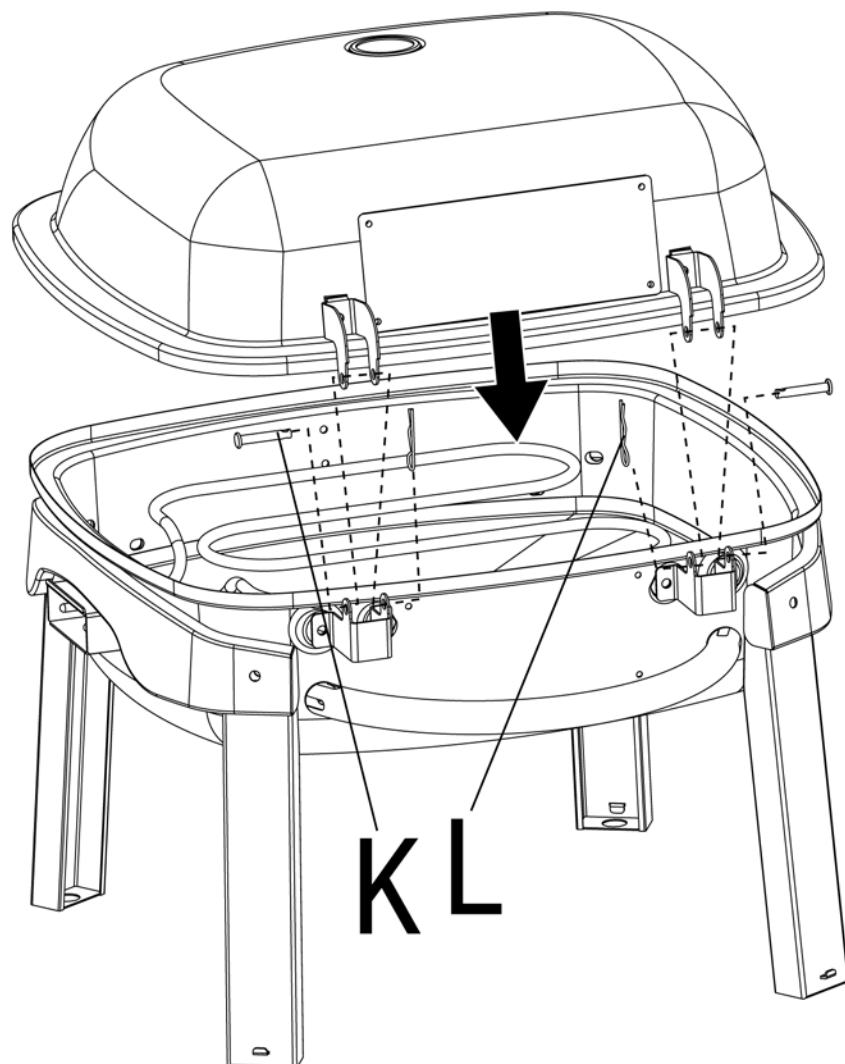
- B  x4
- F  x4
- G  x4
- I  x4
- J  x4


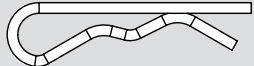
7 Attach Heating Element



- B  x2
- F  x2
- H  x2

8 Attach Lid



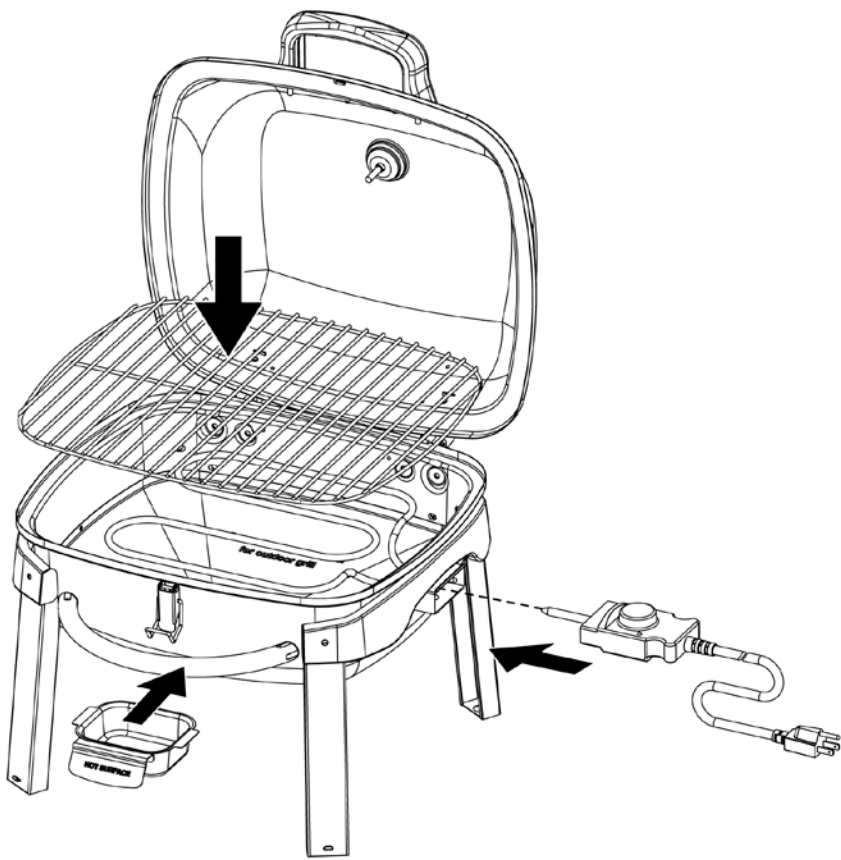
- K  x2
- L  x2

Assembly Instructions (continued)

9

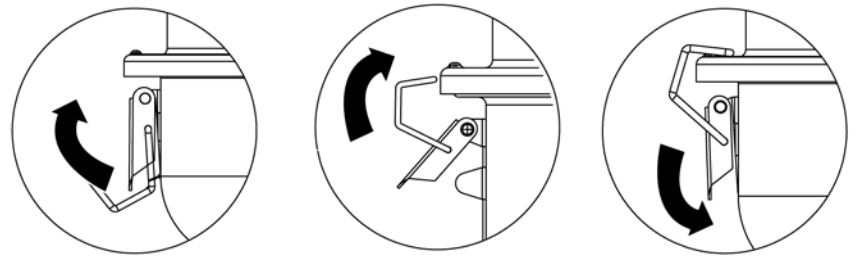
Insert Grease Cup, Cooking Grid and Temperature Control Assembly / Electric Cord

▲ WARNING: Do not touch grease cup when grill is hot or in use until grill has completely cooled (about 45 min.).

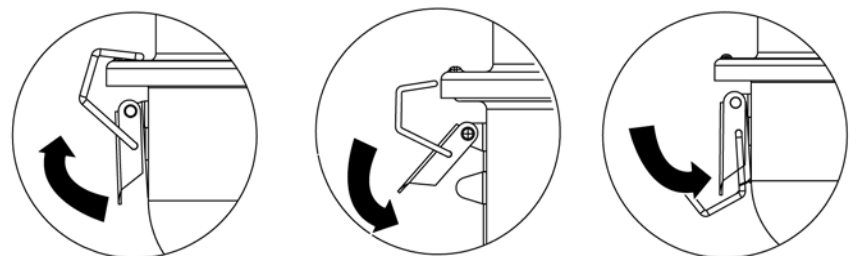


10

Lock Lid

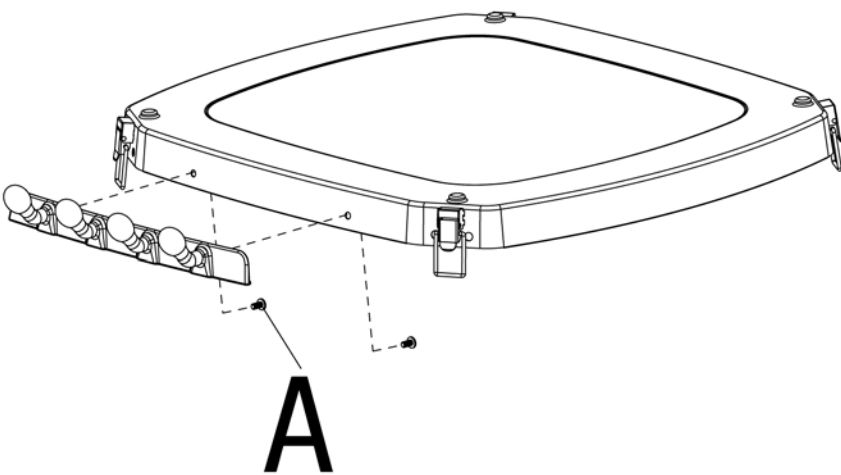


Unlock Lid



11

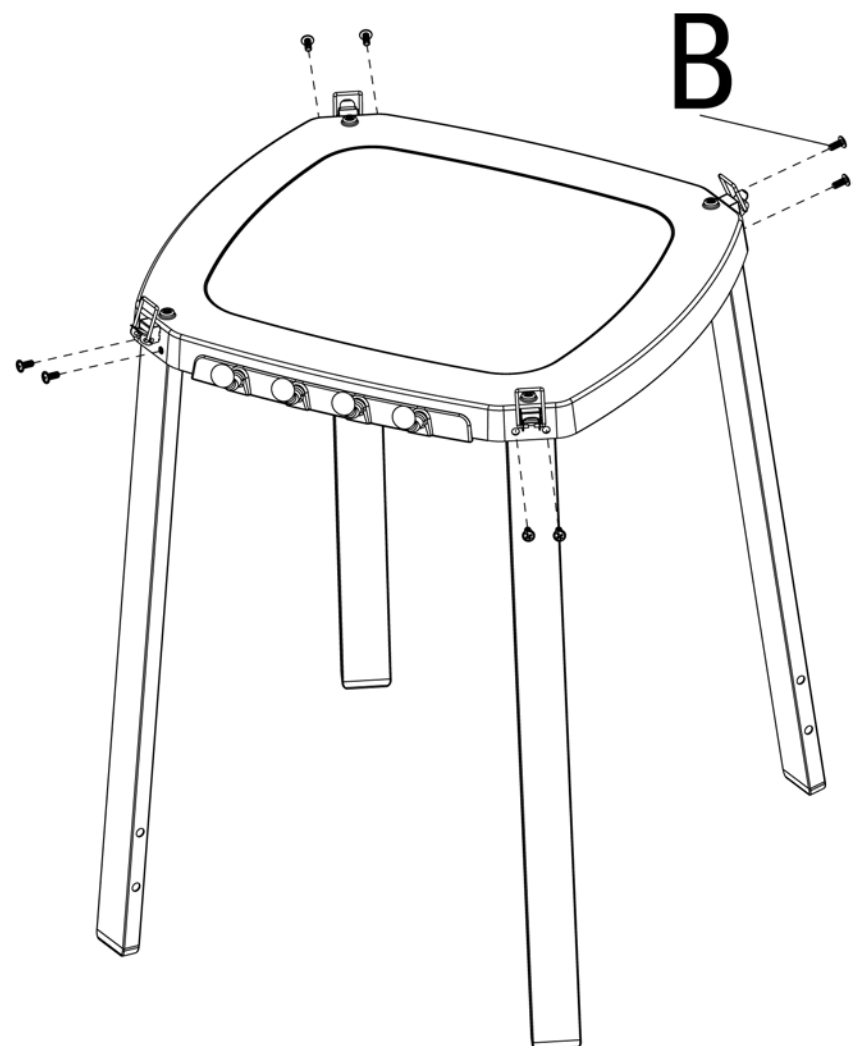
Attach Tool Holder



A x 2

12

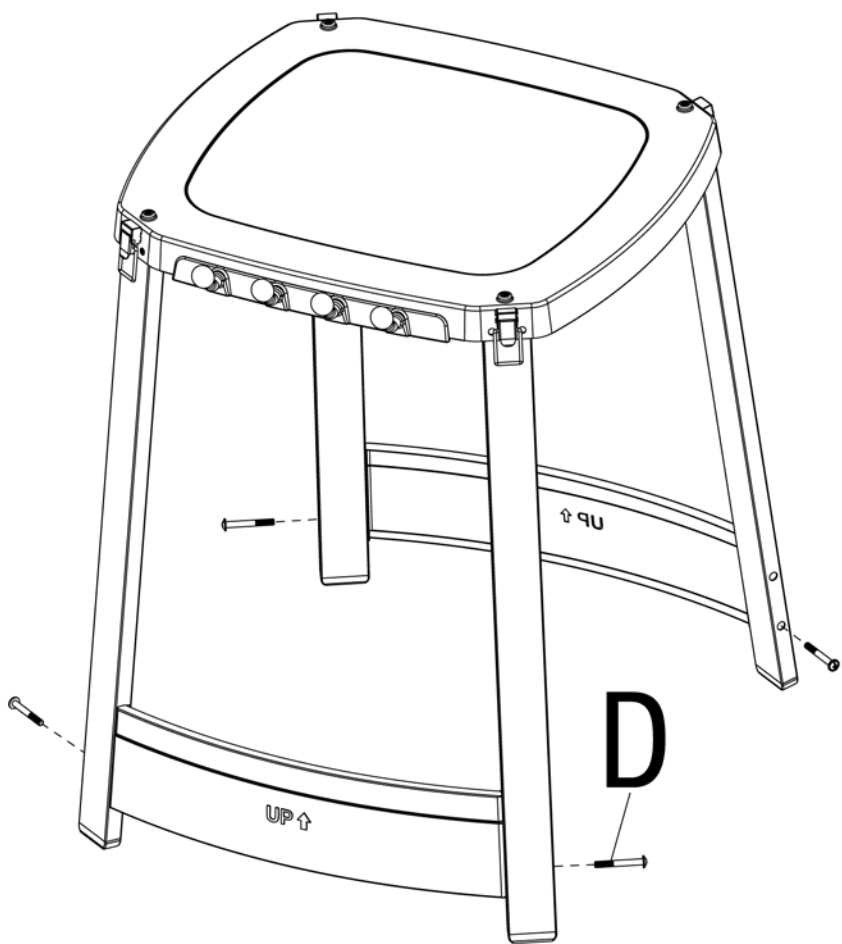
Attach Base Legs



B x 8

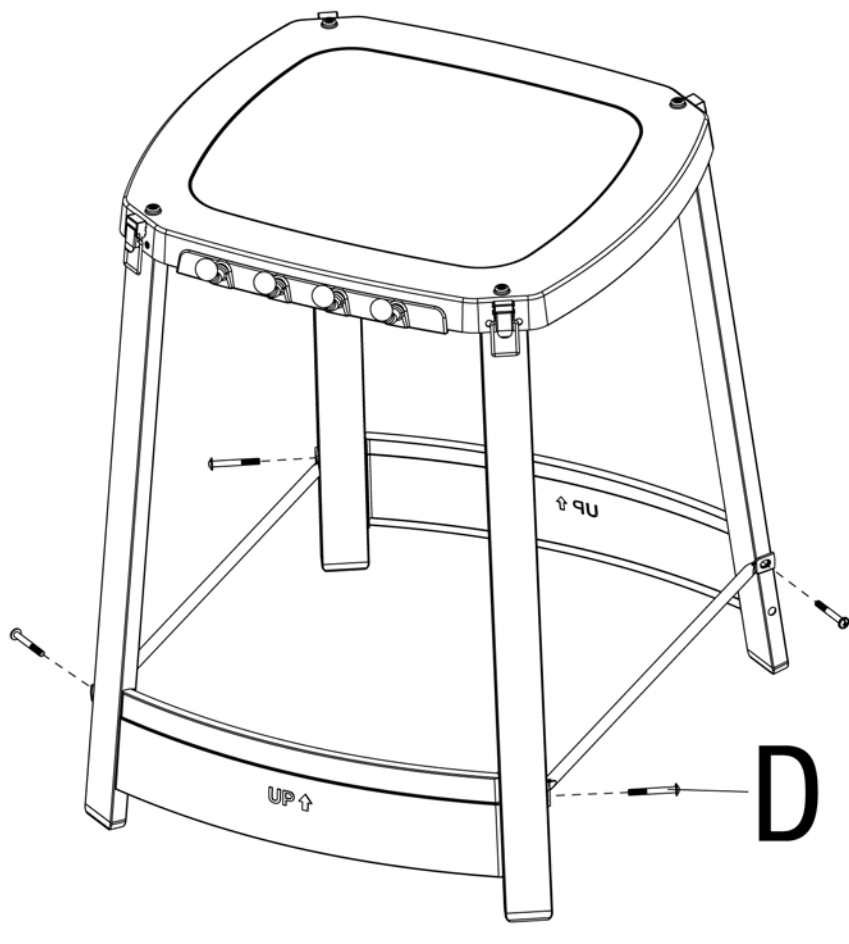
13

Attach Base Panels



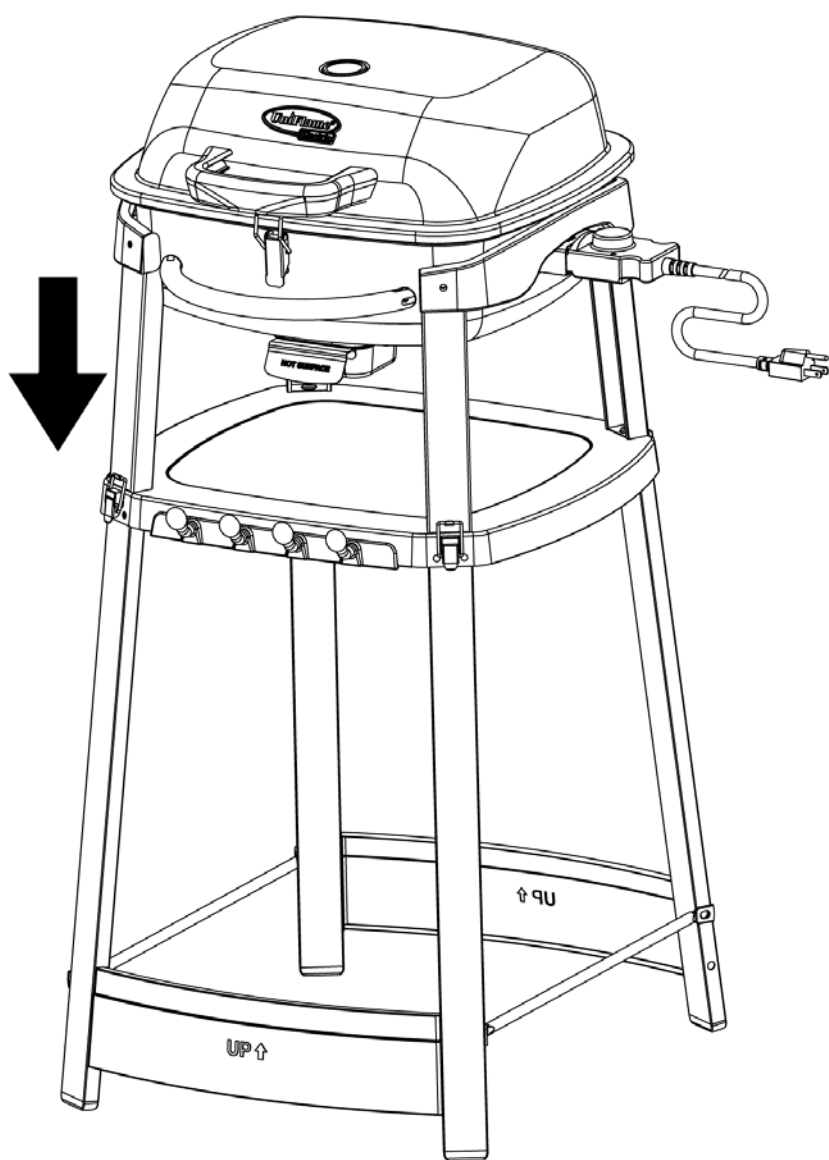
14

Attach Base Supports



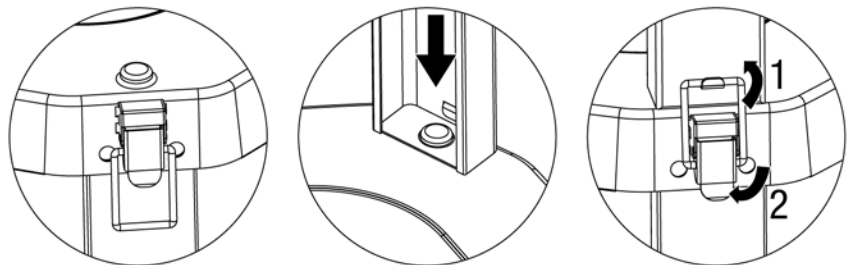
15

Place Grill

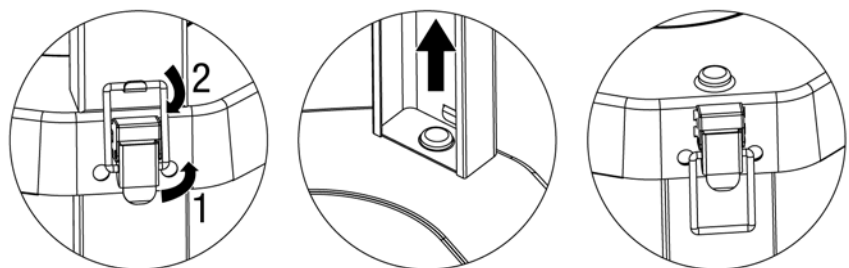


16

Lock Grill to Base



Unlock Grill from Base



Operating Instructions

Extension Cord

Note: Grill functions best WITHOUT an extension cord.

1. The short cord is provided to reduce the risk of becoming entangled in or tripping over a longer cord.
2. An extension cord may be used, if care is exercised.
3. If an extension cord is necessary:
 - Use a UL approved, 3 prong plug (grounded) that is rated for at least 15 amperes, and suitable for outdoor use.
 - Never connect two or more extension cords together.
 - Use the shortest extension cord possible.
 - A 12- or 14-gauge cord of less than 50 feet is preferable.
 - Keep connections dry and off the ground.
 - Avoid draping the grill cord over the countertop or tabletop where it can be pulled on by children, animals or tripped over unintentionally.

Figure 1

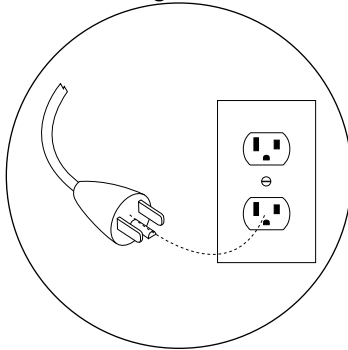


Figure 2

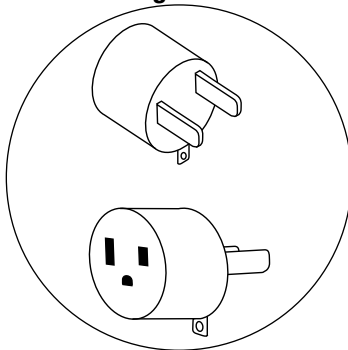


Figure 3

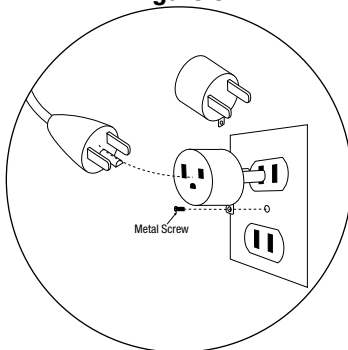
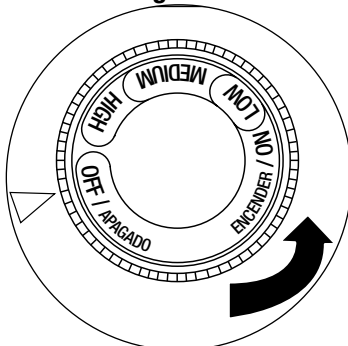


Figure 4



Position of controller is indicated by triangular mark. Illustration shows controller in "OFF" position.

Figure 5

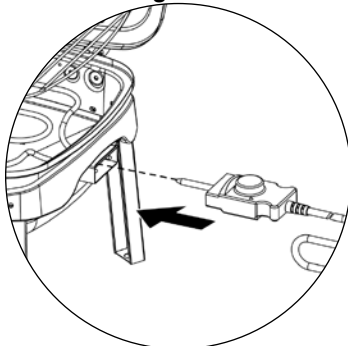
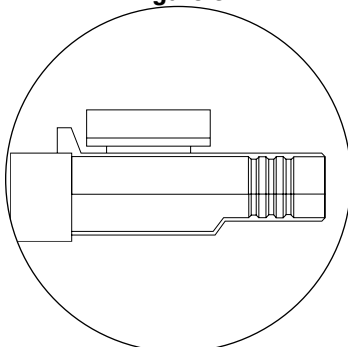


Figure 6



Raised lip of controller should be inserted until it is snug against element bracket.

Grounding Instructions

1. This grill must be grounded while in use to protect the operator from electrical shock.
2. The grill is equipped with a 3-conductor cord and a dry GFI (Ground-Fault Interceptor) 3 prong outlet (Figure 1).
3. An adaptor should be used for connecting a 3-prong plug to a 2-prong receptacle (Figure 2).
4. The grounding tab, which extends from the adaptor, must be connected to a permanent ground such as a properly grounded outlet box using a metal screw (Figure 3).

First Use

1. Make sure all labels, packaging and protective films have been removed from the grill.
2. Remove manufacturing oils before cooking on this grill for the first time by operating the grill for at least 15 minutes on "HIGH" setting with the lid closed. This will "heat clean" the internal parts and dissipate odors.

Turning On

▲ CAUTION: Keep outdoor electric cooking appliance area clear and free from combustible materials, gasoline and other flammable vapors and liquids.

▲ CAUTION: Do not obstruct the flow of ventilation air.

1. Open lid.
2. Make sure there are no obstructions or airflow to the grill.
3. Make sure that temperature controller assembly is turned fully to the "OFF" position (Figure 4).
4. Plug the controller assembly into the grill (Figures 5 and 6).
5. Plug the other end into a dry GFI (Ground-Fault Interceptor) 3 prong outlet, per "Grounding Instructions" section.
6. Adjust the settings on the control assembly to desired level.

Turning Off

1. Turn the controller knob to "OFF".
2. Unplug the power cord from the wall outlet.
3. Unplug the temperature controller assembly from the grill.

Cooking

1. Open lid and start grill per "Turning On" section.
2. Close lid and preheat grill on "HIGH" setting.
3. While wearing protective gloves open lid and place food onto cooking grid with long handle tongs.
4. Adjust control as needed to desired temperature.
5. With lid open or closed, cook until desired internal food temperatures are achieved.
6. Turn grill OFF per "Turning Off" instructions.
7. Leave lid open to cool off.

Tips for Better Cookouts and Longer Grill Life

1. For great recipes and tips, visit recipes.uniflame.com.
2. For food safety tips visit: http://www.fsis.usda.gov/Fact_Sheets/Barbecue_Food_Safety/
3. To keep food from sticking to the grids, spray or coat with cooking oil before starting. Avoid getting oil on heating element as it will produce smoke.
4. Place delicate foods like fish and vegetables in aluminum foil pouches.
5. To avoid losing natural juices, use long handled tongs or spatulas instead of forks and turn foods over just once during cooking.
6. Accessories designed for electric grills can enhance your experiences, reduce cooking times and aid in clean-up.
7. Clean cooking grid after every use with a quality grill brush designed for your grid material. Wear protective gloves and gently remove the build-up while grids are hot.
8. After every use, allow grill to cool. Then protect clean cooking grids with a light coat of cooking oil, empty grease pan, wipe outside surfaces with a suitable kitchen cleaner and store in a cool dry place.
9. Watch barbecue themed TV shows or purchase related barbecue cookbooks to learn more interesting tips.

Cleaning and Care

▲ CAUTION:

1. All cleaning and maintenance should be done when grill is cool (about 45 minutes) and with the cord unplugged.
2. DO NOT clean any grill part in a self cleaning oven. The extreme heat will damage the finish.
3. Do not touch grease cup when grill is in use or until it has completely cooled (about 45 min.).

Notices

1. This grill should be thoroughly cleaned and inspected on a regular basis.
2. Abrasive cleaners will damage this product.
3. Never use oven cleaner to clean any part of grill.
4. Any other servicing should be performed by an authorized service representative.

Before Each Use:

1. Keep the grill area clean and free from any combustible materials, gasoline, and other flammable vapors and liquids.
2. Keep the ventilation opening(s) free and clear from debris.
3. See sections below for proper cleaning instructions.

Cleaning Surfaces

1. Wipe surfaces clean with mild dishwashing detergent or baking soda.
2. For stubborn surfaces use a citrus based degreaser and a nylon scrubbing brush.
3. Rinse clean with water.
4. Allow to air dry.

Cleaning Heating Element

1. Turn grill OFF per "Turning Off" instructions.
2. Remove cooking grid and heat plate.
3. Remove heating element.
4. Clean element with damp cloth. Be careful not to scratch surface.
5. **▲ Caution: Do not immerse heating element in water.**
6. Inspect heating element for any damage. If damage is found, replace with new heating element from manufacturer.
7. Reinstall heating element securely.
8. Reinstall heat plate and cooking grid.
9. Inspect temperature control assembly / electric cord for any damage. If damage is found, replace with new temperature control assembly / electric cord from manufacturer.

Product Registration

For faster warranty service, register your product immediately at www.bluerhino.com or call 1.800.762.1142.

Limited Warranty

Blue Rhino Global Sourcing, Inc ("Vendor") warrants to the original retail purchaser of this product, and to no other person, that if this product is assembled and operated in accordance with the printed instructions accompanying it, then for a period of one (1) year from the date of purchase, all parts in such product shall be free from defects in material and workmanship. Vendor may require reasonable proof of your date of purchase. Therefore, you should retain your sales slip or invoice. This Limited Warranty shall be limited to the repair or replacement of parts, which prove defective under normal use and service and which Vendor shall determine in its reasonable discretion upon examination to be defective. Before returning any parts, you should contact Vendor's Customer Service Department using the contact information listed below. If Vendor confirms, after examination, a defect covered by this Limited Warranty in any returned part, and if Vendor approves the claim, Vendor will replace such defective part without charge. If you return defective parts, transportation charges must be prepaid by you. Vendor will return replacement parts to the original retail purchaser, freight or postage prepaid.

This Limited Warranty does not cover any failures or operating difficulties due to accident, abuse, misuse, alteration, misapplication, improper installation or improper maintenance or service by you or any third party, or failure to perform normal and routine maintenance on the product as set out in this owner's manual. In addition, the Limited Warranty does not cover damage to the finish, such as scratches, dents, discoloration, rust or other weather damage, after purchase.

This Limited Warranty is in lieu of all other express warranties. Vendor disclaims all warranties for products that are purchased from sellers other than authorized retailers or distributors, including the warranty of merchantability or the warranty of fitness for a particular purpose. **VENDOR ALSO DISCLAIMS ANY AND ALL IMPLIED WARRANTIES, INCLUDING WITHOUT LIMITATION THE IMPLIED WARRANTIES OF MERCHANTABILITY AND FITNESS FOR A PARTICULAR PURPOSE. VENDOR SHALL HAVE NO LIABILITY TO PURCHASER OR ANY THIRD PARTY FOR ANY SPECIAL, INDIRECT, PUNITIVE, INCIDENTAL, OR CONSEQUENTIAL DAMAGES.** Vendor further disclaims any implied or express warranty of, and assumes no responsibility for, defects in workmanship caused by third parties.

This Limited Warranty gives the purchaser specific legal rights; a purchaser may have other rights depending upon where he or she lives. Some jurisdictions do not allow the exclusion or limitation of special, incidental or consequential damages, or limitations on how long a warranty lasts, so the above exclusion and limitations may not apply to everyone.

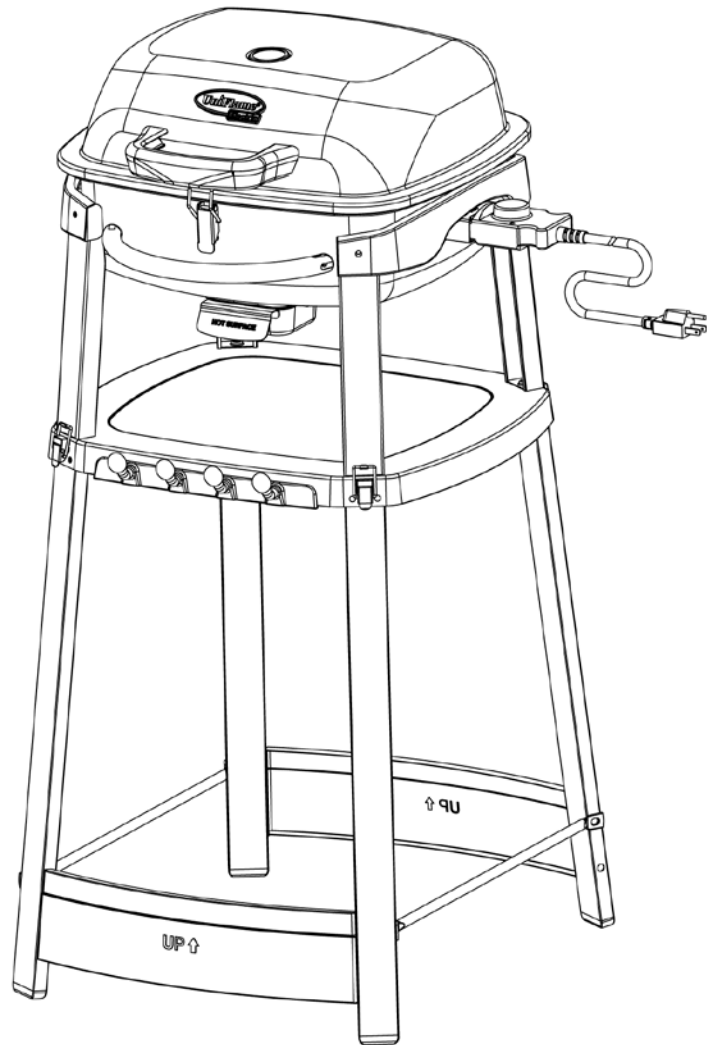
Vendor does not authorize any person or company to assume for it any other obligation or liability in connection with the sale, installation, use, removal, return, or replacement of its equipment, and no such representations are binding on Vendor.

Blue Rhino Global Sourcing, Inc
Winston-Salem, North Carolina USA
(800) 762-1142



Parrilla eléctrica para exteriores

Modelo no. EBC1252W



ADVERTENCIA
PARA SU SEGURIDAD:
Solamente para uso en exteriores
 (fuera de cualquier recinto)

ADVERTENCIA
PARA SU SEGURIDAD:

1. Una instalación, ajuste, alteración, reparación o mantenimiento inadecuados pueden causar lesiones o daños a la propiedad.
2. Lea atentamente las instrucciones de instalación, funcionamiento y mantenimiento del equipo antes de instalarlo, ponerlo en marcha o darle servicio.
3. El no seguir estas instrucciones puede ocasionar un incendio o una explosión, con sus consecuentes daños a la propiedad, lesiones personales y hasta accidentes fatales.
4. Este manual de instrucciones contiene información fundamental y necesaria para el armado correcto y uso seguro del artefacto.
5. Lea y respete todas las advertencias e instrucciones antes de armarlo y de utilizarlo.
6. Siga todas las advertencias e instrucciones al utilizar este artefacto.
7. Guarde este manual para consultarlo en el futuro.

ADVERTENCIA
PARA SU SEGURIDAD:

1. No guarde o use gasolina u otros líquidos o vapores inflamables cerca de esta unidad o de cualquier otro aparato.
2. Cuando utilice aceite/mantequilla para cocinar procure que ésta no supere los 350°F (176,5°C). No almacene aceite de cocina ni la use en exceso cerca de esta u otra unidad de cocción.

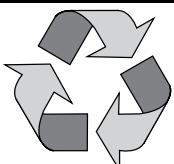
PELIGRO
No deje una parrilla encendida sin vigilancia.

Peligro
NO use la parrilla eléctrica para cocinar en un interior o calentar un ambiente. NO debe usarse en o dentro de una embarcación o un vehículo de recreo.

Indice

Salvaguardias importantes	2
Diagrama de explosión y elementos de ferretería	3
Instrucciones de armado	4
Instrucciones de operación	8
Uso por primera vez	8
Cocción	8
Sugerencias	8
Limpieza y cuidado	8
Registro del producto	9
Garantía limitada	9

Conserve estas instrucciones para futuras consultas. Si está montando esta unidad para otra persona, entréguele este manual para futuras consultas.



Hecho con 75% de bagazo de caña

(subproducto de la caña de azúcar respetuoso del medio ambiente)



Fabricado en China para: Blue Rhino Global Sourcing, Inc
 Winston-Salem, NC EE.UU. • 1.800.762.1142, www.bluerhino.com

© Blue Rhino Global Sourcing, Inc. Todos los derechos reservados.
 UniFlame® es una marca registrada de Blue Rhino Global Sourcing, Inc. Todos los derechos reservados.
 Nombre de la factoría: Foshanshi Juniu Metal Manufactory Co., Ltd. 1500W, 120 V, 60 HZ, AC

PRECAUCIONES IMPORTANTES

Al utilizar aparatos eléctricos, siempre se deberían seguir simples precauciones de seguridad, que incluyan lo siguiente:

1. Lea todas las instrucciones.
2. No toque las superficies calientes. Utilice las manijas y perillas.
3. Para protegerse de choques eléctricos, no sumerja el cable de conexión, los enchufes o elemento de calentamiento en agua o en cualquier otro líquido.
4. Es necesario tener extremo cuidado al utilizar cualquier aparato cerca de los niños o al dejarles utilizarlo.
5. Desenchufe el aparato del receptáculo eléctrico cuando no se utilice y antes de proceder con su limpieza. Deje que se enfríe antes de colocar o retirar piezas.
6. No haga funcionar esta unidad con el cable de conexión o el enchufe dañados o después de que el mismo haya presentado un malfuncionamiento o haya sido dañado. Reclame en el centro de servicio autorizado para revisar, reparar o ajustar su unidad.
7. El uso de accesorios no recomendados por el fabricante del aparato, puede ocasionar graves lesiones.
8. No permita que el cable de conexión sobresalga el borde de la mesa o el mostrador o que toque superficies calientes.
9. No coloque la unidad en o cerca de quemadores a gas o eléctricos o en un horno caliente.
10. Se deberá ejercer extrema precaución al mover una unidad que contenga aceite caliente u otros líquidos calientes.
11. Siempre, conecte primero el enchufe a la unidad, luego enchufe el cable de conexión al receptáculo eléctrico. Para desconectarlo, gire el control a la posición "OFF" (apagado), luego retire el enchufe del receptáculo eléctrico.
12. No utilice esta unidad para otros usos que no sean los especificados.

13. Nunca use combustible como briquetas de carbón de leña con este aparato.
14. Use este aparato únicamente con receptáculo eléctrico con conexión a tierra.
15. Se recomienda utilizar un cable de alimentación corto (o cable de alimentación removible) para reducir el riesgo de enredarse o tropezarse con un cable más largo.
16. Se ofrecen cables de alimentación más largos o cables de extensión y pueden usarse teniendo suficiente cuidado.
17. Si se usa un cable removible de alimentación más largo o un cable de extensión:
 - a. La clasificación eléctrica marcada en el juego de cables o en el cable de extensión debe ser al menos tan elevada como la clasificación eléctrica del aparato, y
 - b. El cable debe disponerse de manera que no sobresalga ni cuelgue del mostrador o de la mesa para que los niños no puedan jalarlo o pueda existir el peligro de que se enreden inadvertidamente en él.
18. Los cables de extensión para exteriores deben utilizarse con los productos para uso en exteriores y su superficie está marcada con la letra "W" como sufijo y una etiqueta que indica "Apto para uso con artefactos para exteriores".
19. Una leyenda indicará que la conexión al cable de extensión debe mantenerse seca y por encima del piso.
20. Cuando no esté usando los productos, guárdelos en el interior – fuera del alcance de los niños.
21. No limpiar este producto rociando con agua o similar.

22. GUARDE ESTAS INSTRUCCIONES.

▲ PELIGRO: El no seguir los avisos de peligro, las advertencias y las precauciones, puede ocasionar un incendio o una explosión, con sus consecuentes daños a la propiedad, lesiones personales y hasta accidentes fatales.

▲ ADVERTENCIA:

- ▲ Esta parrilla es para ser usada al aire libre únicamente y no debe usarse en un edificio, garaje o cualquier otra área cerrada.
- ▲ NO opere, encienda o use esta unidad a menos de 10 pies (3 m) de paredes estructuras o edificaciones.
- ▲ Para uso residencial únicamente. Esta parrilla NO ha sido diseñada para uso comercial.
- ▲ Esta parrilla no ha sido diseñada como calentador y nunca se la debe utilizar como tal. Gases TÓXICOS pueden acumularse y provocar la asfixia.
- ▲ Esta parrilla tiene certificación de seguridad para uso en los Estados Unidos y/o Canadá solamente. No modifique la unidad para uso en otros lugares. La modificación causará un riesgo de seguridad y anulará la garantía.
- ▲ Habitantes de apartamentos: consulte con la administración para obtener información sobre los requisitos y códigos de incendio correspondiente al uso de chimeneas para exteriores en su edificio de departamentos. Si están permitidas, úsela fuera de la vivienda sobre el piso con una separación de diez (10) pies (3 m) de cualquier construcción. No la utilice sobre balcones o debajo de los mismos.
- ▲ Esta parrilla debe ser usada con corriente eléctrica únicamente.
- ▲ No es una parrilla de sobremesa. Por lo tanto, no coloque esta parrilla sobre ningún tipo de superficie de sobremesa.
- ▲ No use cables de extensión de calibre 16. Esto puede causar daños en las instalaciones eléctricas de la casa y puede producir un incendio.
- ▲ EL CHOQUE ELÉCTRICO PUEDE PRODUCIR LA MUERTE U OCASIONAR UNA GRAVE LESIÓN. PARA EVITAR EL CHOQUE ELÉCTRICO:
 - a. Use la unidad únicamente con circuito protegido con interruptor para falla de conexión a tierra (GFI).
 - b. No use esta parrilla cuando esté lloviendo.
 - c. Para evitar que la parrilla se salpique de agua o caiga en el agua, no use la parrilla a menos de 10 pies (3 metros) de una piscina, estanque o cualquier otra masa de agua.
 - d. Mantenga la parrilla y el controlador eléctrico secos y protegidos de la lluvia en todo momento.
 - e. No opere la parrilla con un controlador eléctrico con el cable, el enchufe o la sonda de metal dañados. Utilice únicamente el controlador incluido. El controlador de repuesto deberá ser el especificado por el fabricante.
 - f. Nunca retire del enchufe la clavija de conexión a tierra ni use un adaptador con solo dos clavijas.
 - g. Mantenga los enchufes eléctricos secos y sin tocar el piso.
 - h. En caso de fuego, apague el controlador (OFF), desenchufe la parrilla del receptáculo y deje que el fuego se extinga. No use agua para apagar el fuego en esta unidad o en cualquier otra unidad eléctrica.
 - i. No use agua o cualquier otro líquido de aerosol para limpiar la parrilla sin antes haber desenchufado el controlador eléctrico y removido el elemento de calentamiento.
- ▲ No bloquee ninguna de las perforaciones de la parrilla.
- ▲ El uso de bebidas alcohólicas, medicamentos o drogas de farmacia puede afectar la habilidad del usuario para armar debidamente u operar en forma segura este aparato.
- ▲ No use nunca carbón, líquido para encendedor, piedras volcánicas, gasolina, queroseno o alcohol con este aparato.
- ▲ No guarde o use gasolina u otros líquidos o vapores inflamables a menos de 25 pies (7,6 m) de esta unidad.
- ▲ No utilice la parrilla en una atmósfera explosiva. Mantenga la zona de la parrilla libre de materiales combustibles, gasolina y cualquier otro vapor o líquido inflamable.
- ▲ El espacio mínimo entre los laterales y la parte posterior de la unidad y la construcción combustible es de 36 pulgadas (92 cm). NO use esta parrilla debajo de aleros o bajo techo.
- ▲ No altere la parrilla de ninguna forma. Esto invalidará su garantía.
- ▲ No utilice la parrilla a menos que esté COMPLETAMENTE montada y que todas las piezas estén bien fijadas y apretadas.
- ▲ No instale este modelo de parrilla en ninguna construcción empotrada o que requiera deslizamiento interior. Ignorar esta advertencia podría provocar un incendio o una explosión y causar daños materiales así como lesiones corporales graves o la muerte.
- ▲ Esta parrilla debe limpiarse y verificarse completamente de manera regular. Limpie y revise el controlador de temperatura y su cable de alimentación antes de cada uso del aparato. Si detecta alguna señal de abrasión, desgaste, cortes o fugas, deberá sustituir la manguera antes poner en marcha el aparato.
- ▲ Use sólo el cable modelo OPT-001, tipo SJTOW, con conector controlador de temperatura de Ovis Enterprises Int'l CO., LTD.
- ▲ No haga funcionar esta unidad sin haber leído las instrucciones de "Operación" que se encuentran en este manual.
- ▲ No toque las piezas de metal de la parrilla hasta que no se haya enfriado completamente (alrededor de 45 minutos) para evitar quemaduras, a menos que usted tenga puestos elementos de protección tales como guantes o almohadilla para las ollas, guantes de barbacoa, etc.
- ▲ Las piezas de la parrilla hasta que no se haya enfriado completamente (alrededor de 45 minutos). Para evitar quemaduras, a menos que usted tenga puestos elementos de protección tales como guantes o almohadilla para las ollas, guantes de barbacoa, etc.
- ▲ No instale o utilice la unidad en embarcaciones o vehículos de recreo.
- ▲ Cuando esté cocinando, tenga fácilmente accesibles los elementos para extinguir un incendio. En caso de que la sustancia de freír se incendie no trate de extinguir el fuego con agua. Use un extinguidor de material químico seco tipo BC o ahogue el fuego con tierra, arena o soda de hornear.
- ▲ No utilice la parrilla si hace mucho viento.
- ▲ Nunca se apoye sobre la parrilla cuando la está encendiendo.
- ▲ No deje una parrilla encendida (ON) sin vigilancia, especialmente, mantenga los niños y las mascotas lejos de la parrilla en todo momento.
- ▲ No deje la parrilla sin supervisión al precalentar o quemar residuos de alimentos. Si la parrilla no ha sido limpiada, puede incendiarse la grasa y dañar el producto.
- ▲ No coloque los recipientes de cocción sobre el artefacto mientras está en funcionamiento.
- ▲ Tenga cuidado al colocar cualquier cosa sobre la parrilla, mientras el equipo está funcionando.
- ▲ No intente mover la parrilla mientras esté encendida. Deje que la parrilla se enfríe antes de moverla o guardarla.
- ▲ Abra siempre la tapa de la parrilla en forma cuidadosa y lentamente, pues el calor y el vapor que hay dentro de la parrilla pueden ocasionarle severas quemaduras.
- ▲ Coloque siempre la parrilla sobre una superficie firme y nivelada que no sea combustible.
- ▲ Mantenga todos los cables eléctricos lejos de una parrilla caliente.
- ▲ El uso de accesorios o aditamentos a esta unidad no lo recomienda el fabricante y puede ser causa de lesiones.

**Si necesita ayuda llame al 1.800.762.1142. No vuelva al lugar de compra.
Para obtener excelentes recetas y sugerencias, visite recipes.uniflame.com**

- ▲ Después de un período de almacenamiento o de falta de uso de la unidad, inspeccione el controlador y el cable eléctrico para detectar zonas gastadas o cortes en ella.
- ▲ Nunca ponga en funcionamiento la parrilla sin haber instalado las placas de distribución de calor.
- ▲ Use siempre un termómetro para carne para asegurar que la comida ha quedado cocida a la temperatura apropiada.
- ▲ Por favor, use guantes de protección cuando esté armando este producto.
- ▲ No trate de forzar las piezas juntas pues esto puede ocasionar lesiones o dañar el producto.
- ▲ Nunca cubra la totalidad del área de cocción con papel de aluminio.

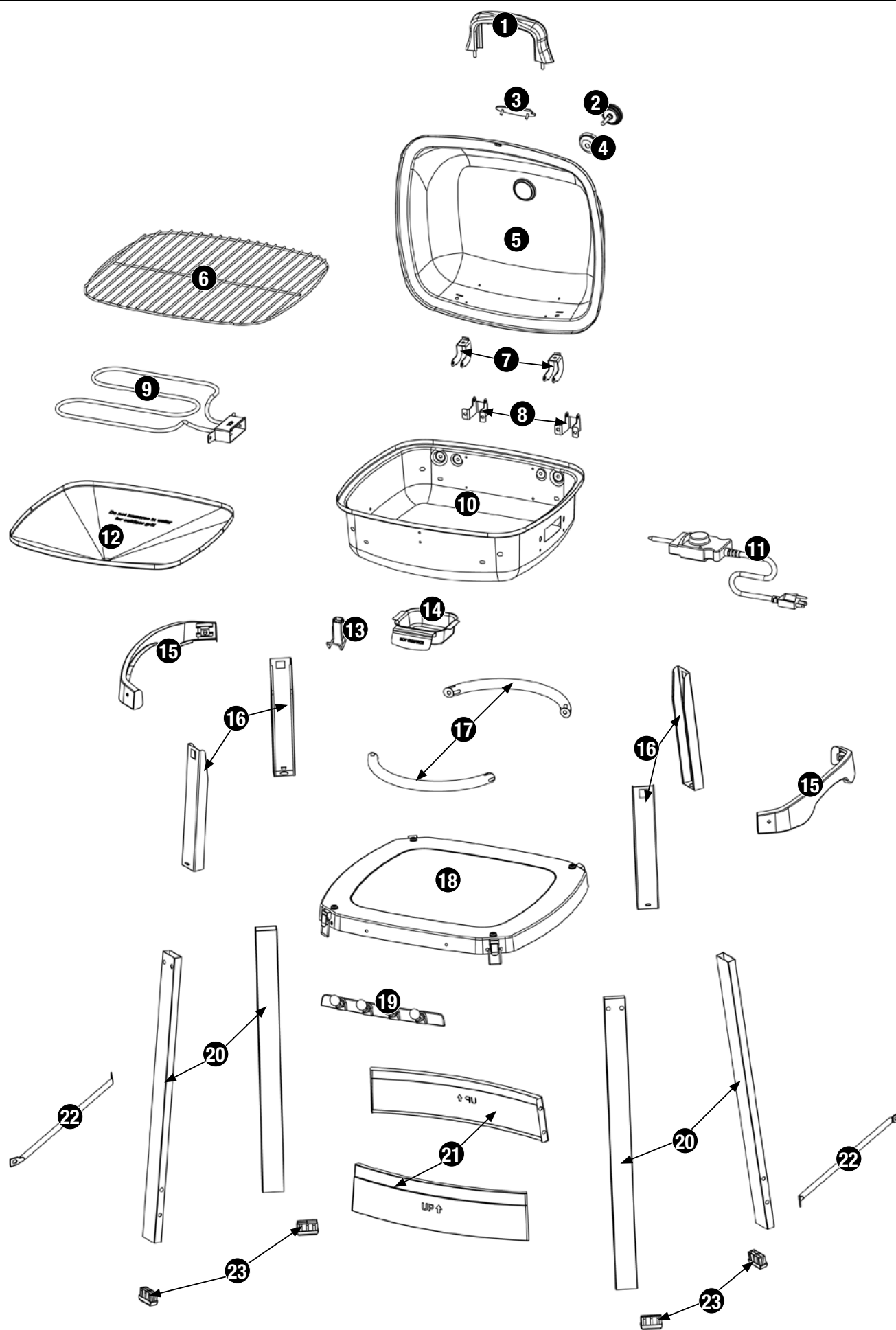
- ▲ Si el cable de alimentación eléctrica sufre daño, deberá ser reemplazado por el fabricante, su agente de servicio o personal con calificación similar a fin de evitar riesgos.
- ▲ Este aparato no se ha diseñado para ser usado por personas (inclusive niños) con capacidades físicas, sensoriales o mentales reducidas, o con falta de experiencia y conocimiento, a menos que cuenten con supervisión o hayan sido instruidos respecto al uso del aparato por una persona responsable por su seguridad. Los niños deben estar bajo supervisión para asegurar que no jueguen con el aparato.
- ▲ El no seguir exactamente las instrucciones dadas arriba puede producir daños a la propiedad, lesiones serias y hasta fatales.

Lista de piezas

1	Manija de la tapa	55-11-463
2	Registro de temperatura	55-07-233
3	Placa de marca*	55-11-478
4	Soporte del registro de temperatura	55-09-378
5	Tapa	55-22-208
6	Rejilla de cocción	55-22-209
7	Bisagra superior (2)	55-15-330
8	Bisagra inferior (2)	55-14-653
9	Elemento de calentamiento	55-22-210
10	Carcasa	55-22-211
11	Controlador de temperatura / Cordón de alimentación	55-11-910
12	Placa de distribución de calor*	55-22-212
13	Seguro*	55-09-537
14	Recogedor de grasa	55-09-075
15	Recogedor de grasa (2)	55-22-283
16	Pata de la parrilla (4)	55-22-213
17	Soporte de las patas de la parrilla (2)	55-22-214
18	Plataforma de la base	55-22-215
19	Porta-utensilios	55-11-472
20	Pata de la base (4)	55-22-216
21	Panel de la base (2)	55-22-217
22	Barra de refuerzo (2)	55-22-218
23	Tapón de la pata (4)*	55-11-475

*Viene ensamblado

Despiece



Elementos de ferretería

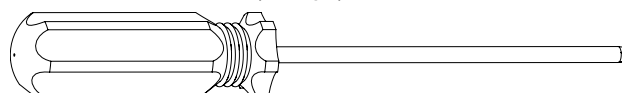
A	Tornillo	Negro, de cabeza Phillips abombada, M4x10	2 pzs
B	Tornillo	Negro, de cabeza Phillips abombada, M5x12	16 pzs
C	Tornillo	Negro, de cabeza Phillips abombada, M5x25	4 pzs
D	Tornillo	Negro, de cabeza Phillips abombada, M5x50	8 pzs
E	Tornillo	Negro, de cabeza Phillips abombada, M6x15	4 pzs
F	Tuerca mariposa	Acero, M5	14 pzs
G	Arandela	Niquelada, ø5	8 pzs
H	Arandela	Niquelada, ø6	6 pzs

I	Arandela	Resistente al calor, ø6	12 pzs
J	Arandela de cierre	Niquelada, ø5	8 pzs
K	Perno de ojal	Niquelado, ø5x30	2 pzs
L	Pasador de horquilla	Acero, ø1,4x30	2 pzs

Herramientas necesarias para el armado (incluidas)

Destornillador en cruz (Phillips) no.2

1 pz



Instrucciones de armado

1 NO DEVUELVA EL PRODUCTO AL LUGAR DE COMPRA

Si necesita ayuda llame, sin cargo, al **1.800.762.1142**. Por favor tenga a mano su manual y el número del modelo, para referencia.

Para facilitar el armado:

- Evite la pérdida de componentes pequeños o elementos de ferretería, armando el producto en un lugar de piso plano sin aberturas ni hendiduras.
- Despeje un área suficientemente grande para colocar la tornillería y todos los componentes, que sea suave para no rasguñar o dañar el acabado de las superficies.
- Cuando corresponda, apriete primero a mano todas las conexiones de tornillería. Cuando haya completado este paso apriete a fondo toda la tornillería teniendo cuidado de no apretar excesivamente para no dañar las superficies o las roscas de los tornillos.
- Siga todos los pasos en el orden indicado para armar debidamente esta unidad.

Tiempo de armado estimado: 30 minutos.

2 Acople el registro de temperatura, las bisagras superiores y la manija de la tapa

B	x 2	G	x 4
F	x 4	I	x 4
		J	x 4

3 Arme las patas de la parrilla y las manijas laterales

x2

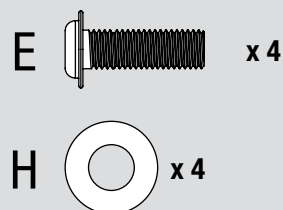
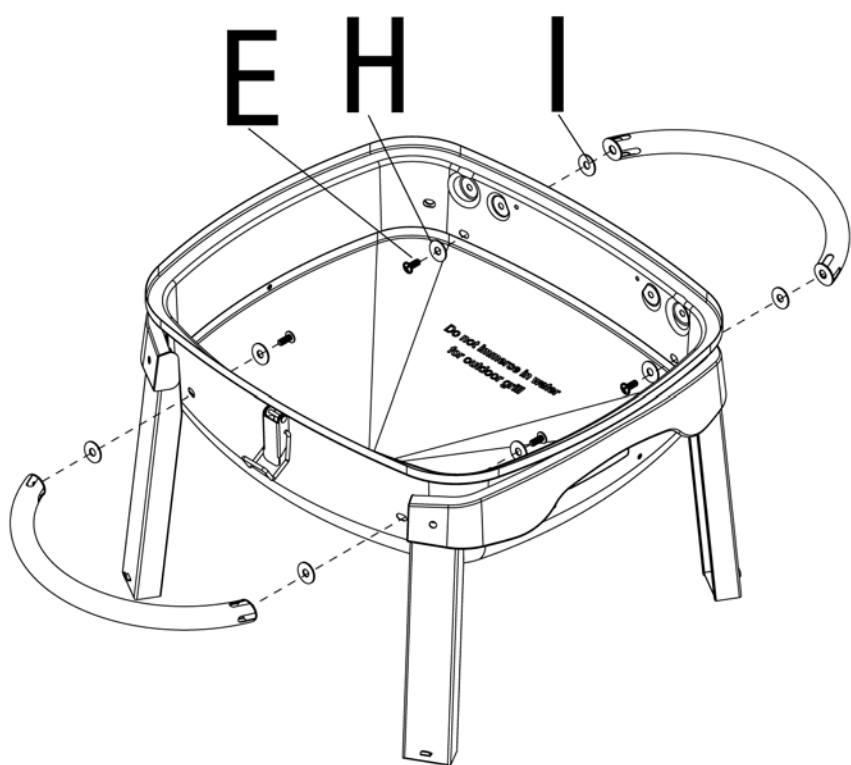
4 Acople las patas de la parrilla

C	x 4	F	x 4
---	-----	---	-----

Si necesita ayuda llame al 1.800.762.1142. No vuelva al lugar de compra.
Para obtener excelentes recetas y sugerencias, visite recipes.uniflame.com

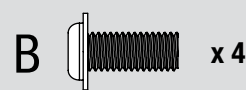
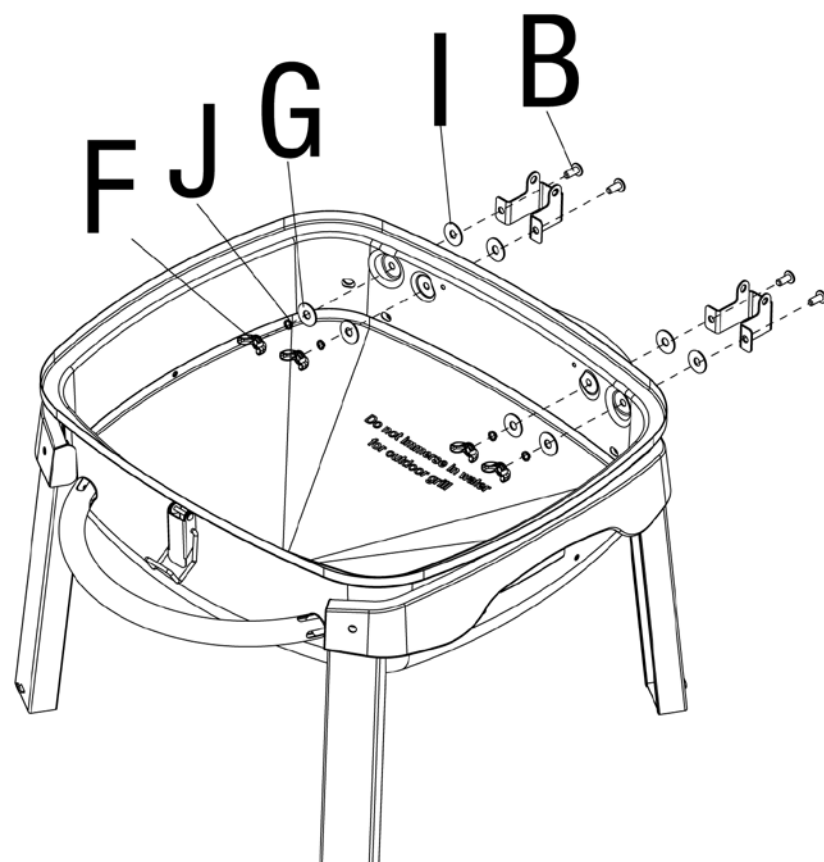
5

Acople los soportes de las patas de la parrilla



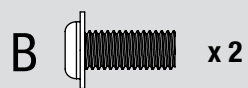
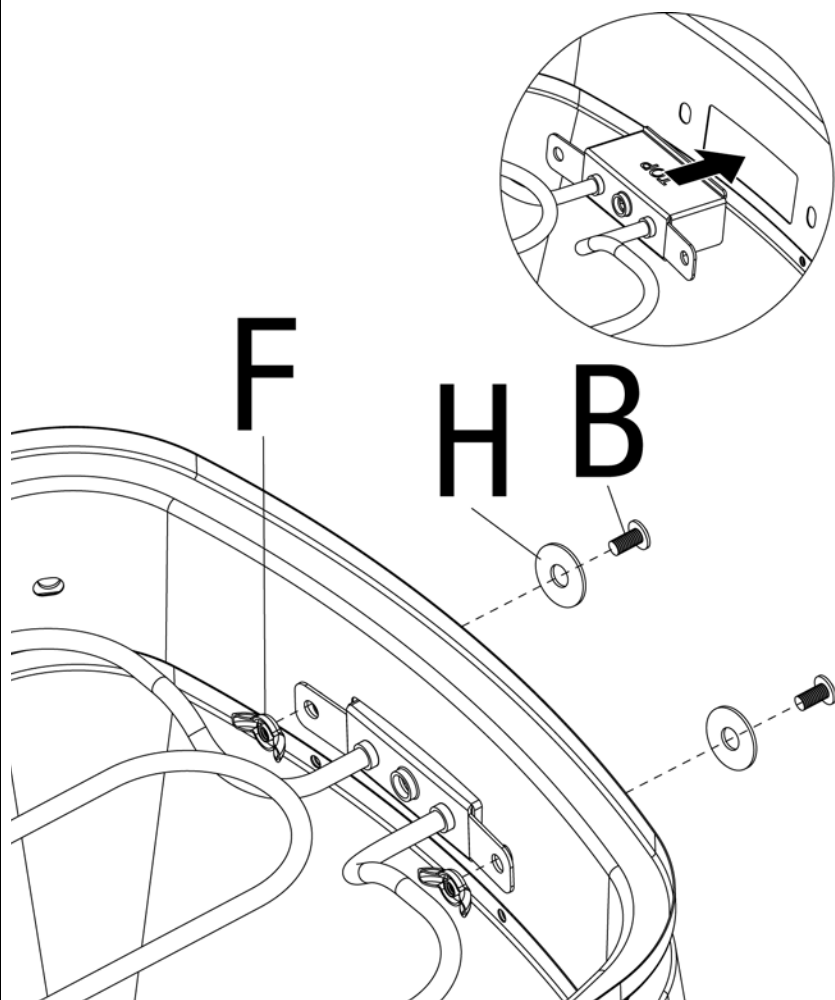
6

Acople las bisagras inferiores



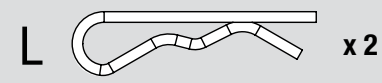
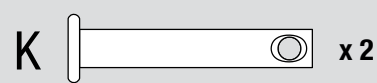
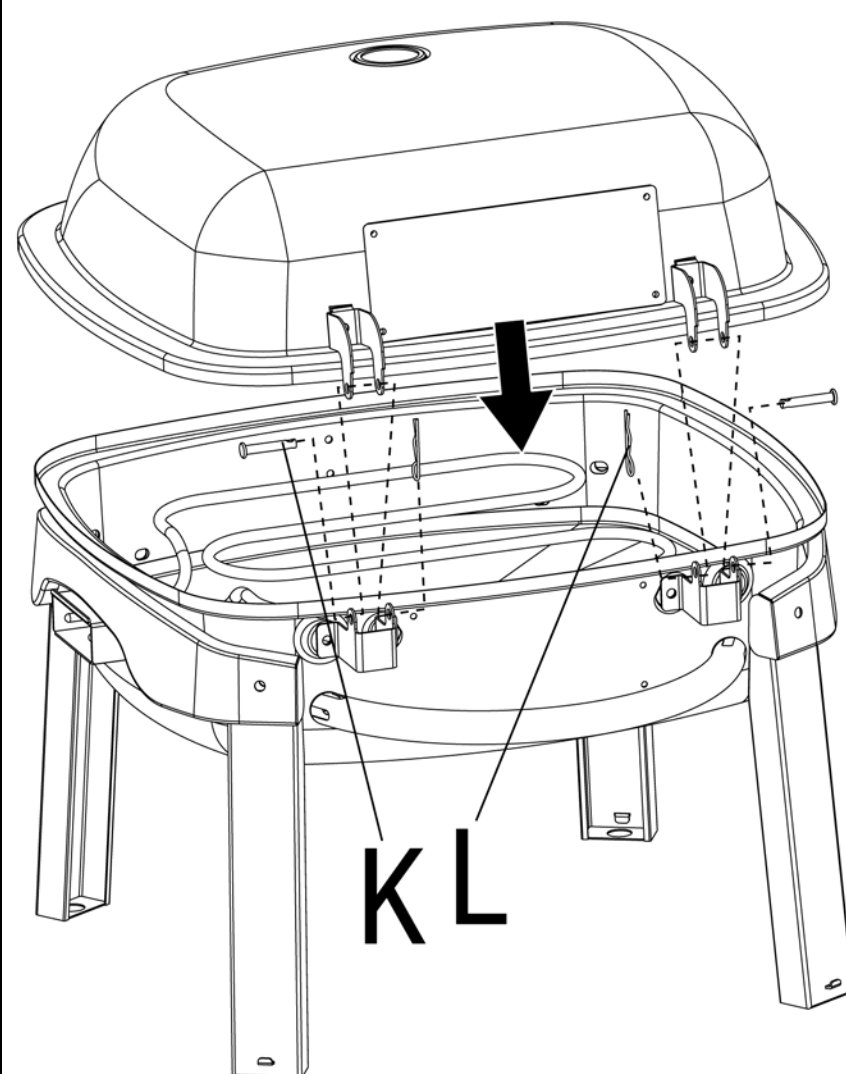
7

Acople el elemento de calentamiento



8

Acople la tapa

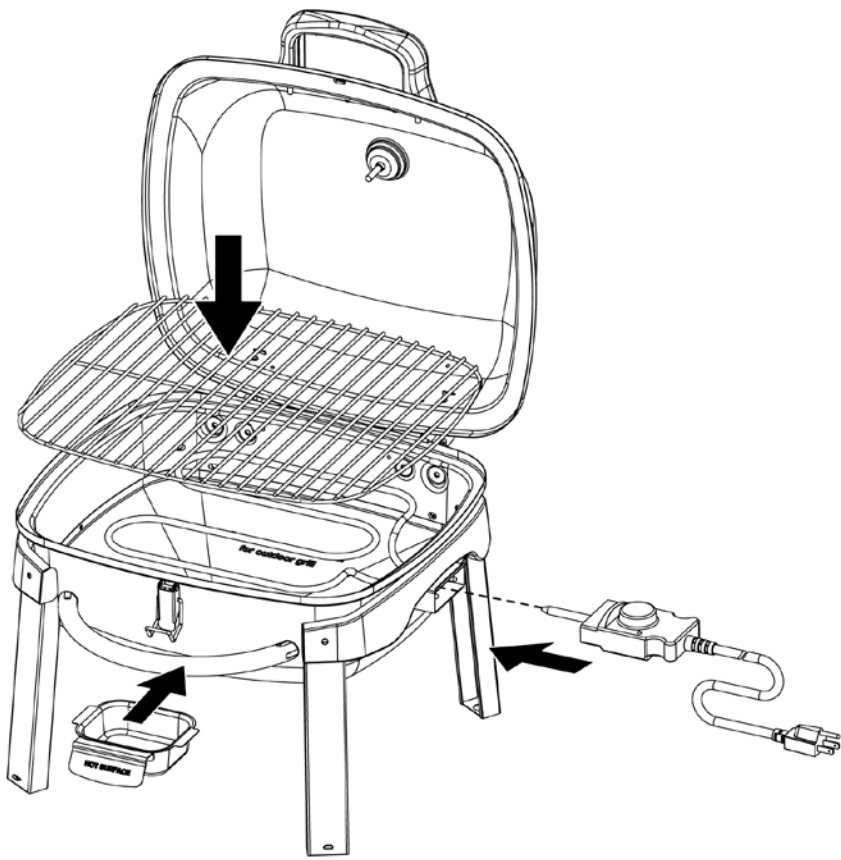


Instrucciones de armado (continuación)

9

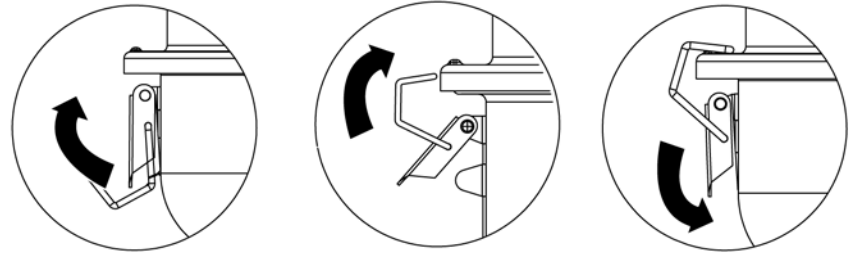
Inserte el recogedor de grasa, la rejilla de cocción y el conjunto de control de temperatura / cordón eléctrico

⚠ **ADVERTENCIA:** No toque el recogedor de grasa cuando la parrilla esté caliente o en uso y hasta que se haya enfriado por completo (aprox. 45 min.).

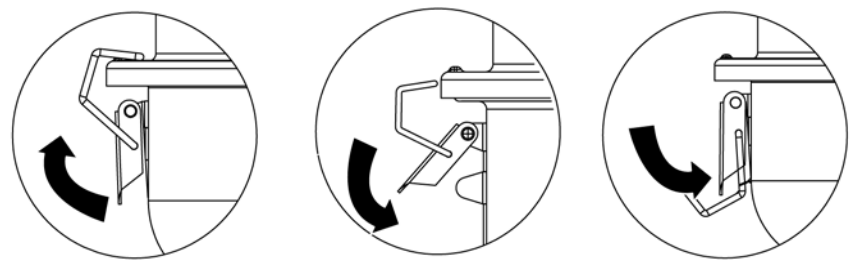


10

Para cerrar la tapa con el seguro

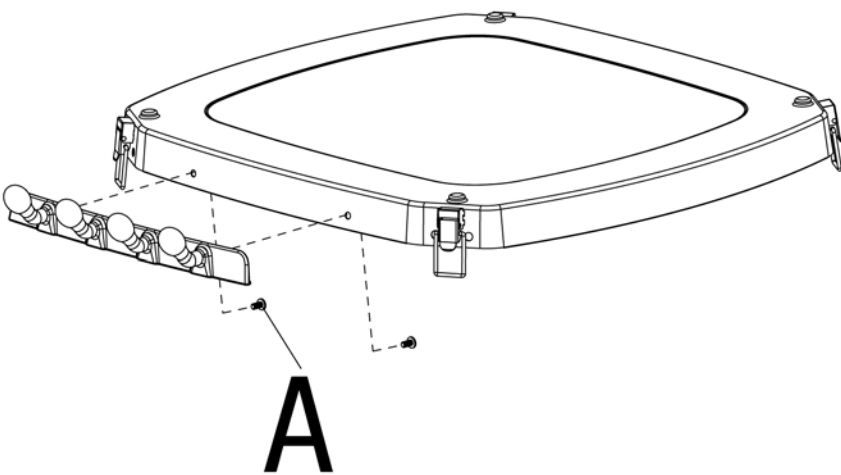


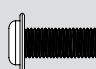
Para abrir el seguro de la tapa



11

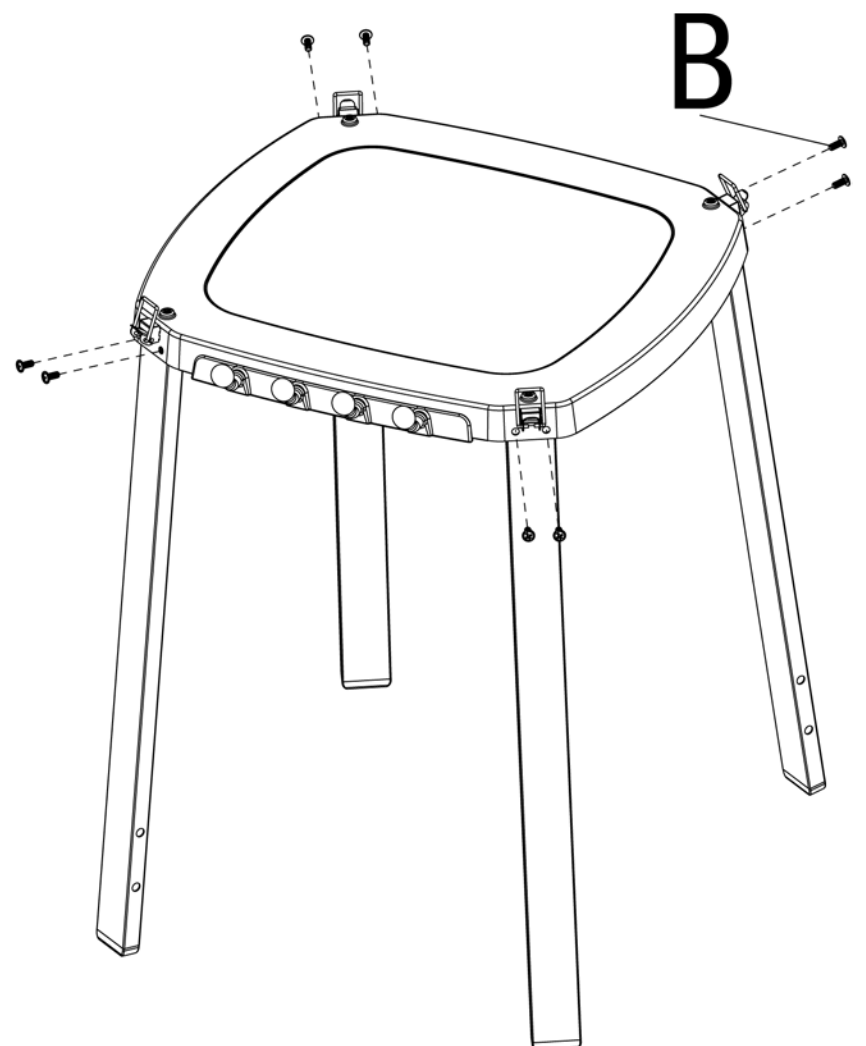
Acople el porta-utensilios

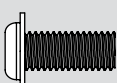


A  x 2

12

Acople la plataforma de la base

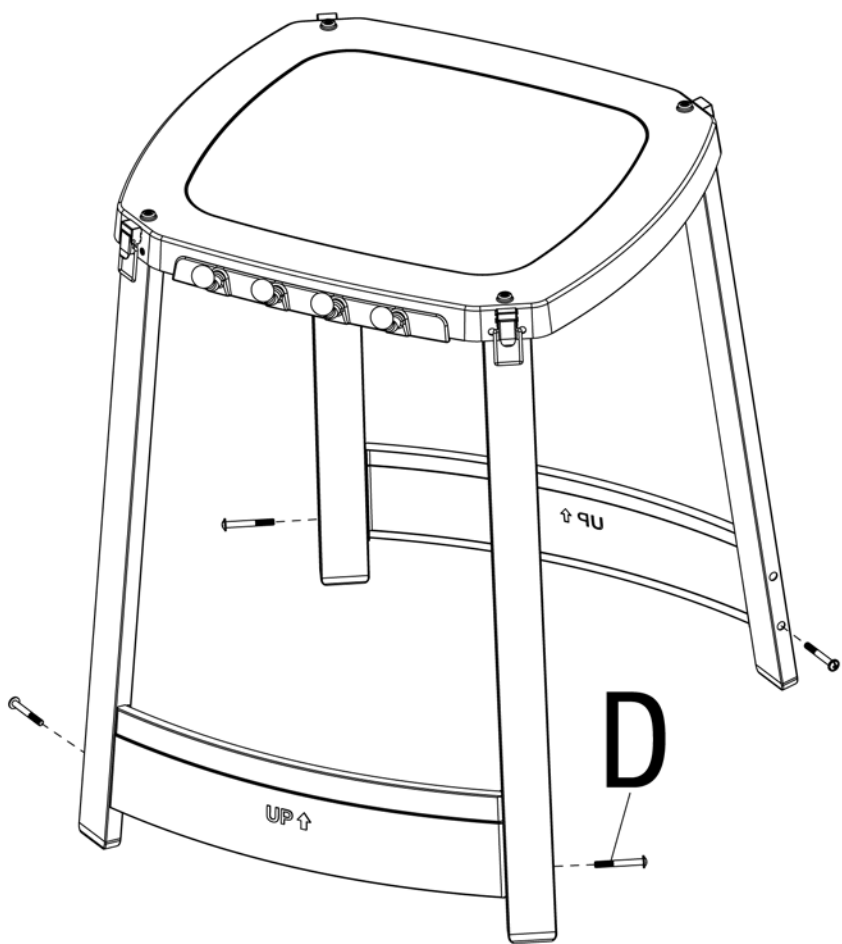


B  x 8

Si necesita ayuda llame al 1.800.762.1142. No vuelva al lugar de compra.
Para obtener excelentes recetas y sugerencias, visite recipes.uniflame.com

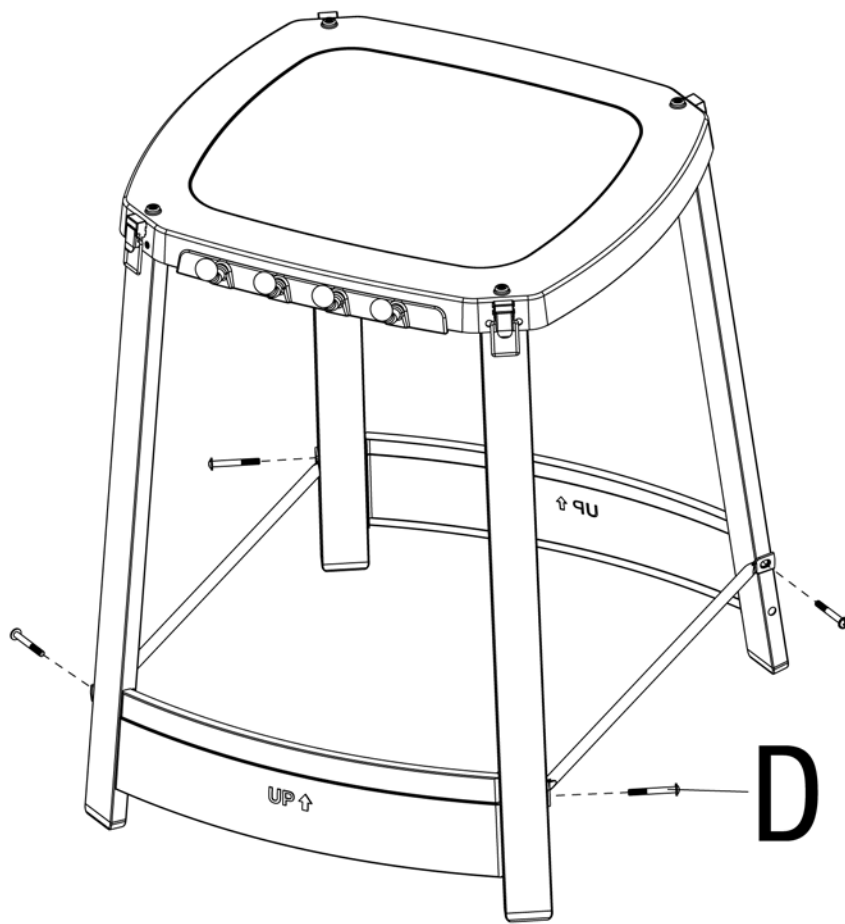
13

Arme los paneles de la base



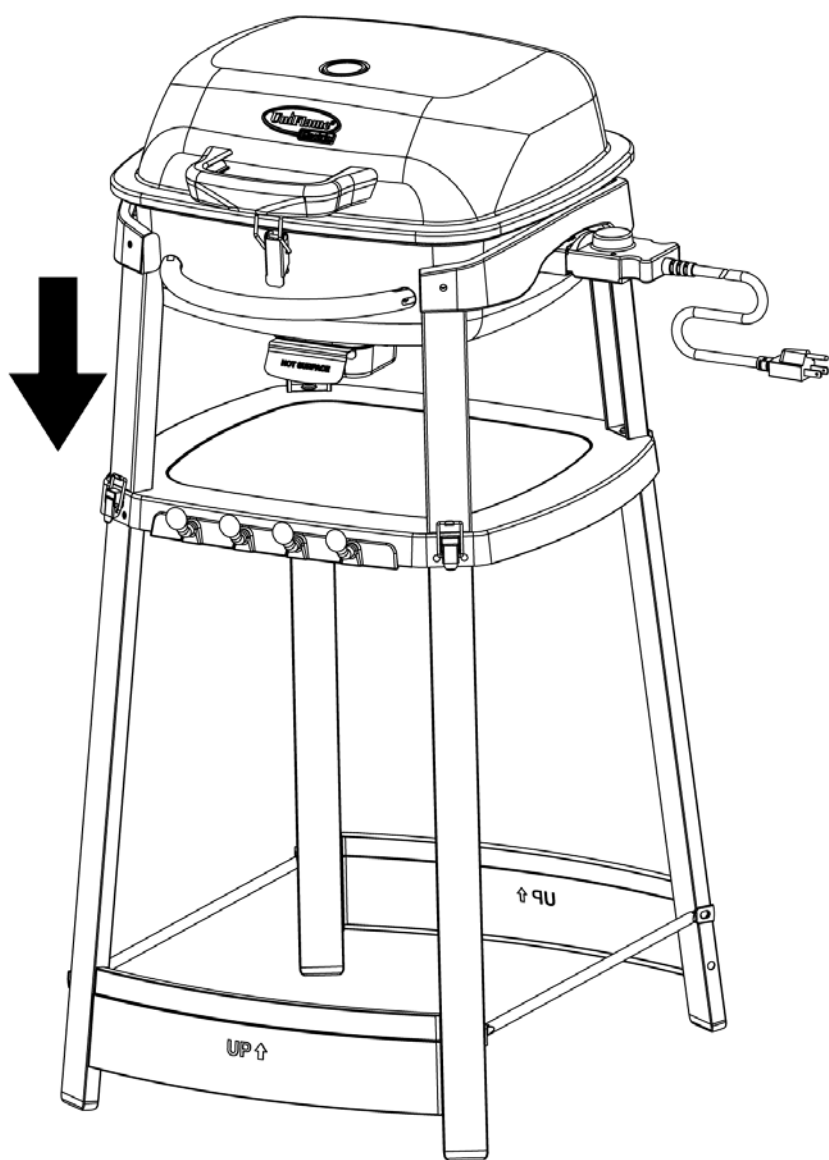
14

Acople las barras de refuerzo de la base



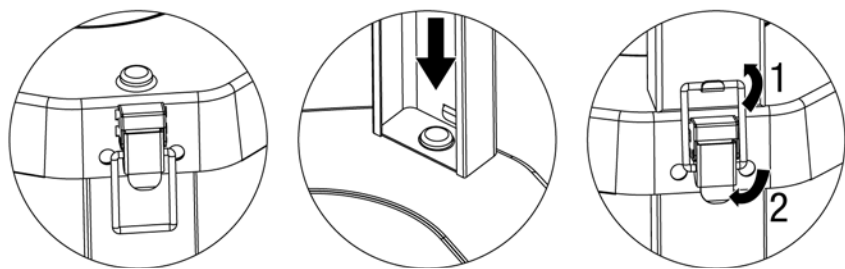
15

Coloque la parrilla

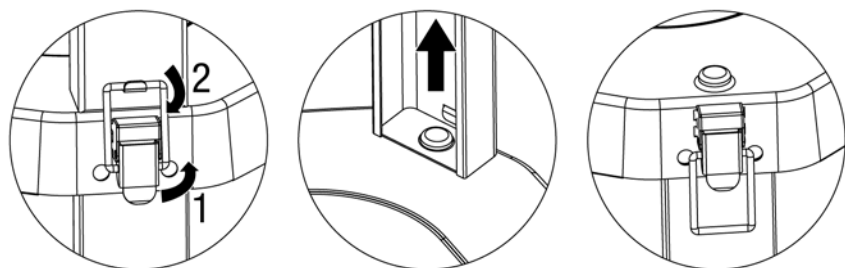


16

Para fijar la parrilla a la base con el seguro



Para liberar el seguro que fija la parrilla a la base



Instrucciones de operación

Cable de extensión

Nota: La parrilla funcionará mejor si NO usa un cable de extensión.

1. El cable corto se proporciona para reducir el riesgo de enredarse o tropezarse con un cable largo.
2. Si utiliza un cable de extensión, tenga cuidado.
3. Si necesita un cable de extensión:
 - Use un cable aprobado por UL con enchufe de 3 clavijas (conectado a tierra) y clasificación para 15 amperios por lo menos, y adecuado para uso en exteriores.
 - Nunca conecte dos o más cables de extensión juntos.
 - Utilice el cable de extensión más corto posible.
 - Es preferible usar un cable de calibre 12 ó 14 de menos de 50 pies (15 m) de longitud.
 - Mantenga las conexiones secas y fuera del suelo
 - Evite colocar el cable de la parrilla sobre el mostrador o la mesa, donde los niños o animales puedan jalarlo o donde pueda causar un tropiezo accidental.

Instrucciones de conexión a tierra

1. Esta parrilla debe estar conectada a tierra durante el uso para proteger al operador contra choque eléctrico.
2. La parrilla cuenta con un cable de 3 conductores y un enchufe de 3 clavijas GFI seco (interceptor de fallo a tierra), vea Figura 1.
3. Debe usarse un adaptador para conectar un enchufe de 3 clavijas a un enchufe de 2 clavijas para un receptáculo de 2 clavijas (vea Figura 2).
4. La lengüeta de tierra que se extiende desde el adaptador debe conectarse a una tierra permanente, por ejemplo una caja de salida con una buena conexión a tierra, usando un tornillo metálico, vea Figura 3.

Uso por primera vez

1. Verifique que todos los empaques, etiquetas y envolturas de protección han sido removidos de la parrilla.
2. Retire todo aceite de fabricación que encuentre en la unidad antes de usar la parrilla por primera vez, encendiendo la parrilla por lo menos por 15 minutos en la graduación "HIGH" (alto), con la tapa cerrada. Esto realizará una "limpieza por calor" en las piezas internas de la unidad y hará que los olores se disipen.

Instrucciones de encendido

▲ PRECAUCIÓN: Mantenga la zona de la parrilla libre de materiales combustibles, gasolina y cualquier otro vapor o líquido inflamable.

▲ PRECAUCIÓN: No obstruya el flujo del aire de ventilación.

1. Abra la tapa.
2. Asegúrese de que no hay nada que obstruya el flujo de aire en la unidad.
3. Asegúrese de que el ensamblaje del controlador de temperatura esté en la posición "OFF" (desactivado). (Figura 4)
4. Enchufe el ensamblaje del controlador de temperatura en la parrilla. (Figuras 5 y 6)
5. Enchufe el otro extremo en un tomacorriente tripolar con interceptor de fallo a tierra (GFI) seco según lo descrito en la sección "Instrucciones de conexión a tierra".
6. Ajuste el controlador a la temperatura deseada.

Instrucciones para apagar

1. Gire la perilla del controlador a la posición "OFF" (apagado).
2. Desenchufe el cable de alimentación del receptáculo eléctrico.
3. Desenchufe el controlador de temperatura de la parrilla.

Figura 1

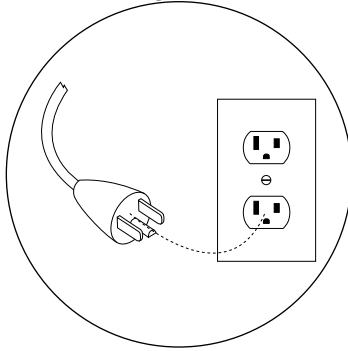


Figura 2

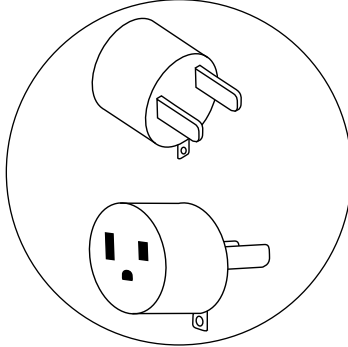


Figura 3

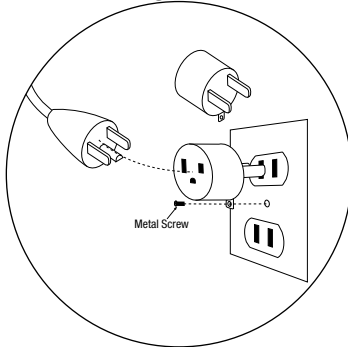
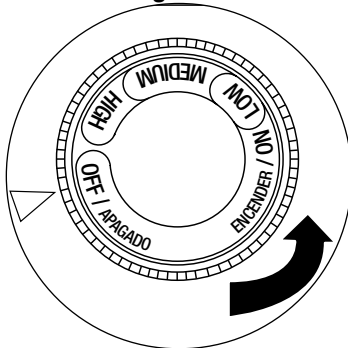


Figura 4



Las graduaciones del controlador están indicadas con una marca triangular.

La ilustración muestra el controlador en la posición "OFF" (apagado).

Figura 5

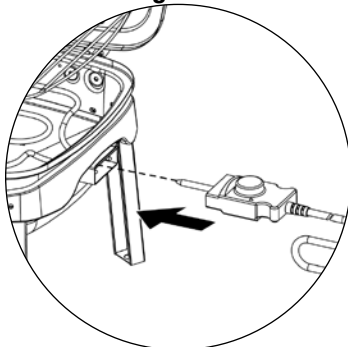
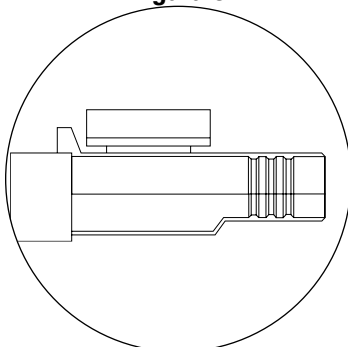


Figura 6



El borde levantado del controlador debe introducirse hasta que quede ajustado contra el soporte del elemento.

Cocción

1. Abra la tapa y encienda la parrilla según lo descrito en la sección "Instrucciones de encendido".
2. Cierre la tapa y precaliente la parrilla usando el ajuste "HIGH" (alto).
3. Con guantes protectores abra la tapa y coloque los alimentos en la rejilla de cocción utilizando pinzas con mango largo.
4. Ajuste el control según sea necesario a la temperatura deseada.
5. Con la tapa abierta o cerrada, cocine los alimentos hasta obtener la temperatura interna deseada.
6. Apague la parrilla (OFF) según lo descrito en la sección "Instrucciones de apagado".
7. Deje la tapa abierta para que la parrilla se enfríe.

Sugerencias para una mejor preparación de los alimentos y una vida útil más larga de la parrilla

1. Para obtener excelentes recetas y sugerencias, visite recipes.uniflame.com
2. Para sugerencias de seguridad visite: http://www.fsis.usda.gov/Fact_Sheets/Barbecue_Food_Safety/
3. Para evitar que los alimentos se peguen en las rejillas, aplique una capa de aceite de cocina a las parrillas antes de encender la unidad. Evite poner aceite en el elemento de cocción ya que producirá humo.
4. Coloque alimentos delicados tales como pescado y legumbres en bolsas de papel de aluminio.
5. Para evitar la pérdida de jugos naturales, use tenacillas de mango largo o espátulas, en lugar de tenedores, y volteo el alimento solamente una vez durante el proceso de cocción.
6. Los accesorios creados para parrillas eléctricas pueden hacer más agradable su experiencia, reducir el tiempo de cocción y facilitar la labor de limpieza.
7. Limpie la rejilla de cocción después de cada uso con un cepillo de calidad diseñado para el material de su parrilla. Use guantes de protección y retire con cuidado la acumulación de residuos en las rejillas mientras éstas están todavía calientes.
8. Después de cada uso deje que la parrilla se enfríe. Luego proteja las rejillas de cocción ya limpias con una ligera capa de aceite de cocina, vacíe la bandeja de la grasa, limpie las superficies exteriores con un limpiador de cocina apropiado y guarde en un lugar fresco y seco.
9. Vea programas de televisión relacionados con la cocción de asados a la parrilla o compre libros de cocina relacionados con este tema para obtener interesantes sugerencias tales como.

Limpieza y cuidado

▲ PRECAUCIÓN:

1. Todo trabajo de limpieza o mantenimiento debe hacerse cuando la parrilla esté fría (aprox. 45 minutos) y desconectada de la corriente eléctrica.
2. NO limpie ninguna pieza de esta parrilla en un horno de limpieza automática. El calor extremo dañará el terminado.
3. No toque el recogedor de grasa cuando esté utilizando la parrilla o hasta que se haya enfriado por completo (aprox. 45 min.).

Avisos

1. Esta parrilla debe limpiarse y verificarse completamente de manera regular.
2. No use productos de limpieza abrasivos pues dañarán este aparato.
3. No utilice nunca productos limpiahornos para limpiar cualquier pieza de la parrilla.
4. Cualquier otro servicio de la unidad debe realizarse por un representante autorizado de servicio.

Antes de cada uso:

1. Mantenga la zona de la parrilla limpia y libre de materiales combustibles, gasolina y cualquier otro vapor o líquido inflamable.
2. Mantenga el(los) orificio(s) de ventilación libres y sin residuos.
3. Consulte las siguientes secciones para obtener instrucciones sobre cómo realizar una limpieza correcta.

Limpieza de las superficies

1. Limpie las superficies utilizando un detergente lavavajilla no muy deteritivo o bicarbonato de sodio.
2. Para las superficies con suciedad rebelde, utilice un desengrasante con base cítrica y un cepillo de cerda de nilón.
3. Enjuague bien con agua.
4. Deje secar al aire.

Limpieza y cuidado (continuación)

Limpieza del elemento de calentamiento

1. Detenga el funcionamiento de la parrilla siguiendo las instrucciones de apagado correspondientes.
 2. Retire las rejillas de cocción y la placa de distribución de calor.
 3. Retire el elemento de calentamiento desatornillando las tuercas mariposa y llevándolo hacia arriba y hacia afuera.
 4. Limpie el elemento con un paño húmedo. Tenga cuidado de no rayar la superficie.
- ▲ Precaución: No sumerja el elemento de calentamiento en agua.**
5. Revise el elemento de calentamiento para detectar la presencia de algún daño. En ese caso, reemplácelo por uno nuevo del mismo fabricante.
 6. Vuelva a colocar el elemento con firmeza.
 7. Vuelva a colocar la placa de distribución de calor y la rejilla de cocción.
 8. Revise el controlador de temperatura/el cable de conexión para determinar la presencia de daños. En ese caso, reemplace el controlador de temperatura y su cable de alimentación por uno nuevo del mismo fabricante.

Registro del producto

Para beneficiar del servicio de garantía más rápidamente, sírvase registrar su unidad inmediatamente visitando nuestro sitio Internet www.bluerhino.com o llamando al 1.800.762.1142.

Garantía limitada

Blue Rhino Sourcing, Inc ("el fabricante") garantiza al comprador original, al detal, de este producto, y a ninguna otra persona, que si la unidad se arma y opera de acuerdo con las instrucciones impresas que la acompañan y por un período de un (1) año a partir de la fecha de compra, todas las piezas de este producto estarán libres de defectos en material y mano de obra. El fabricante podrá requerir prueba razonable de la fecha de compra. Por lo tanto, usted debe conservar el recibo de venta o la factura. Esta garantía limitada estará limitada a la reparación o reemplazo de las piezas que resulten defectuosas en condiciones de servicio y uso normal y las que un examen indique, a satisfacción del fabricante, que están defectuosas. Antes de devolver cualquier pieza, comuníquese con el Departamento de Servicio al Cliente (Customer Service Department) del fabricante. Si el fabricante confirma el defecto y aprueba el reclamo, el fabricante decidirá reemplazar tales partes sin costo alguno. Si se le pide que devuelva las partes defectuosas, los costos de transporte deberán ser prepagados. El fabricante devolverá las partes al cliente con costo de transporte o envío prepagados.

Esta garantía limitada no cubre fallas o dificultades de operación debidas a accidente, abuso, mal uso, alteración, empleo en usos inapropiados, instalación defectuosa o mantenimiento o servicio inapropiado o falla en la realización de mantenimiento normal y rutinario como se prescribe en este manual del usuario.

Además, la garantía limitada no cubre daños al terminado de la unidad, tales como rasguños, abolladuras, descoloridos, oxidaciones y otros daños causados por la intemperie después de la compra de la unidad.

Esta garantía limitada reemplaza cualquier otra garantía. El fabricante no asume ninguna responsabilidad por garantías de productos vendidos por quienes no sean distribuidores o vendedores al detal autorizados. Esta exención de responsabilidad incluye cualquier garantía de comerciabilidad o la garantía de aptitud para un propósito en particular. EL FABRICANTE NO SE HACE RESPONSABLE POR NINGUNA GARANTIA IMPLICITA INCLUYENDO, SIN LIMITACIONES, LAS GARANTIAS IMPLICITAS DE COMERCIALIZACION Y ADAPTABILIDAD A UN PROPOSITO PARTICULAR. EL FABRICANTE NO ASUME RESPONSABILIDAD ANTE EL COMPRADOR O ANTE CUALQUIER TERCERA PERSONA POR DAÑOS ESPECIALES, INDIRECTOS, PUNITIVOS, INCIDENTALES O CONSEQUENCIALES. El fabricante, además, no asume responsabilidad por garantías implícitas o expresas por defectos de mano de obra causados por terceras personas.

Esta garantía limitada le da al comprador derechos legales específicos y el comprador puede tener otros derechos según el lugar donde el comprador o la compradora residan. Ciertas jurisdicciones no permiten limitaciones en cuanto a la duración de una garantía implícita, de manera que esta limitación puede no ser aplicable a usted.

El fabricante no autoriza a ninguna persona o compañía para asumir por el fabricante cualquier otra obligación a responsabilidad relacionada con la venta, instalación, uso, remoción, devolución o reemplazo de este equipo y cualquier representación de esta naturaleza no obliga al fabricante.

Blue Rhino Sourcing, Inc
Winston-Salem, North Carolina 27104, EE.UU.
(800)-762-1142



