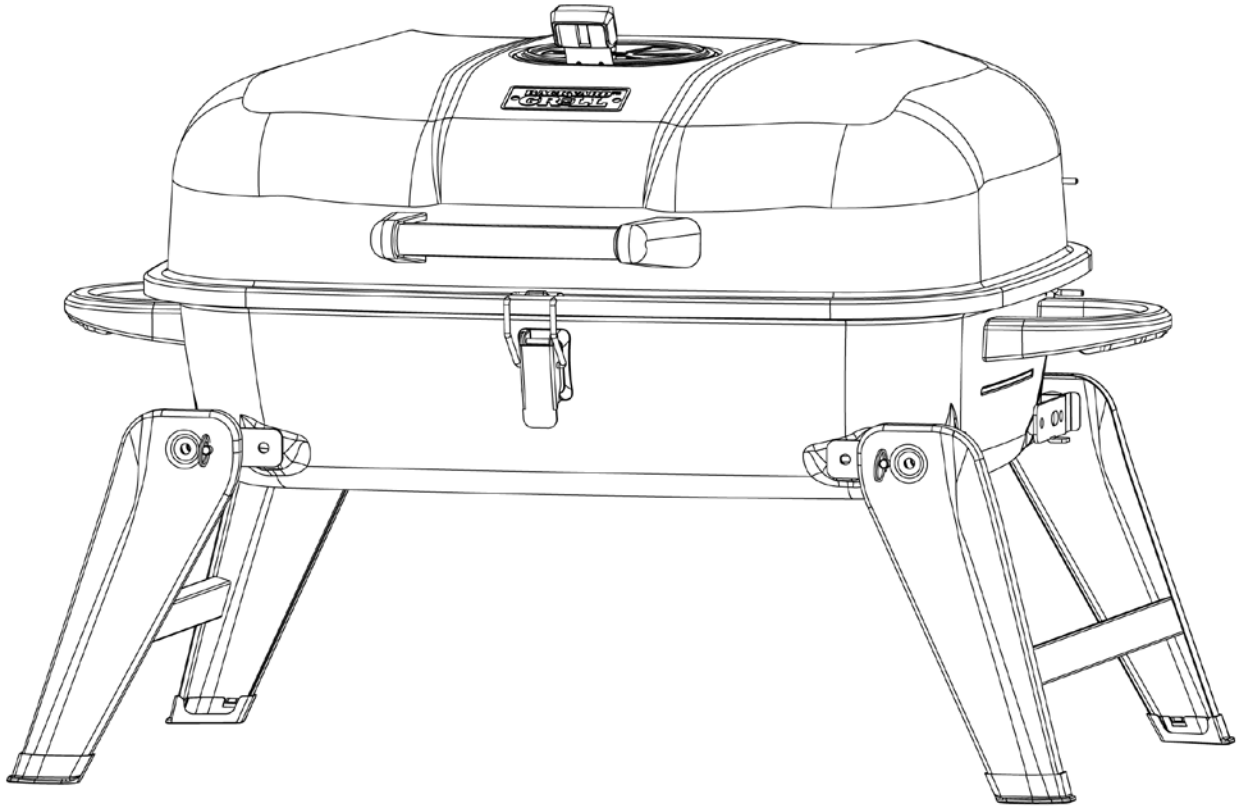


Outdoor Charcoal Barbecue Grill

Model No. BY16-103-001-01 / Stock No. CBT1622W



WARNING
FOR YOUR SAFETY:
For Outdoor Use Only
(outside any enclosure)

WARNING
FOR YOUR SAFETY:

1. Improper installation, adjustment, alteration, service or maintenance can cause injury or property damage.
2. Read the installation, operation, and maintenance instructions thoroughly before installing or servicing this equipment.
3. Failure to follow these instructions could result in fire or explosion, which could cause property damage, personal injury, or death.
4. This instruction manual contains important information necessary for the proper assembly and safe use of the appliance.
5. Read and follow all warnings and instructions before assembling and using the appliance.
6. Follow all warnings and instructions when using the appliance.
7. Keep this manual for future reference.

WARNING
FOR YOUR SAFETY:

1. Do NOT store or use gasoline or other flammable liquids or vapors in the vicinity of this or any other appliance.
2. When cooking with oil/grease, do NOT allow the oil/grease to exceed 350°F (176.5°C). Do NOT store or use extra cooking oil in the vicinity of this or any other appliance.

DANGER
Never operate this appliance unattended.

Table of Contents

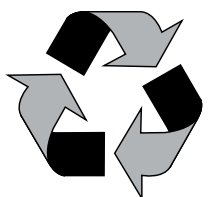
Important Safeguards	Page 2
Expanded View & Hardware	3
Assembly Instructions	4
Operating Instructions	7
Cleaning and Care	7
Product Registration	7
Replacement Parts	7
Limited Warranty	8

THIS INSTRUCTION BOOKLET CONTAINS IMPORTANT SAFETY INFORMATION. PLEASE READ AND KEEP FOR FUTURE REFERENCE.

If you are assembling this unit for someone else, give this manual to him or her to read and save for future reference.

California Proposition 65: Combustion by-products produced when using this product contain chemicals known to the State of California to cause cancer, birth defects, and other reproductive harm.

California Proposition 65: Wash your hands after handling this product.



Made from 75% Bagasse
(environmentally friendly sugar
cane pulp by-product)

Important Safeguards

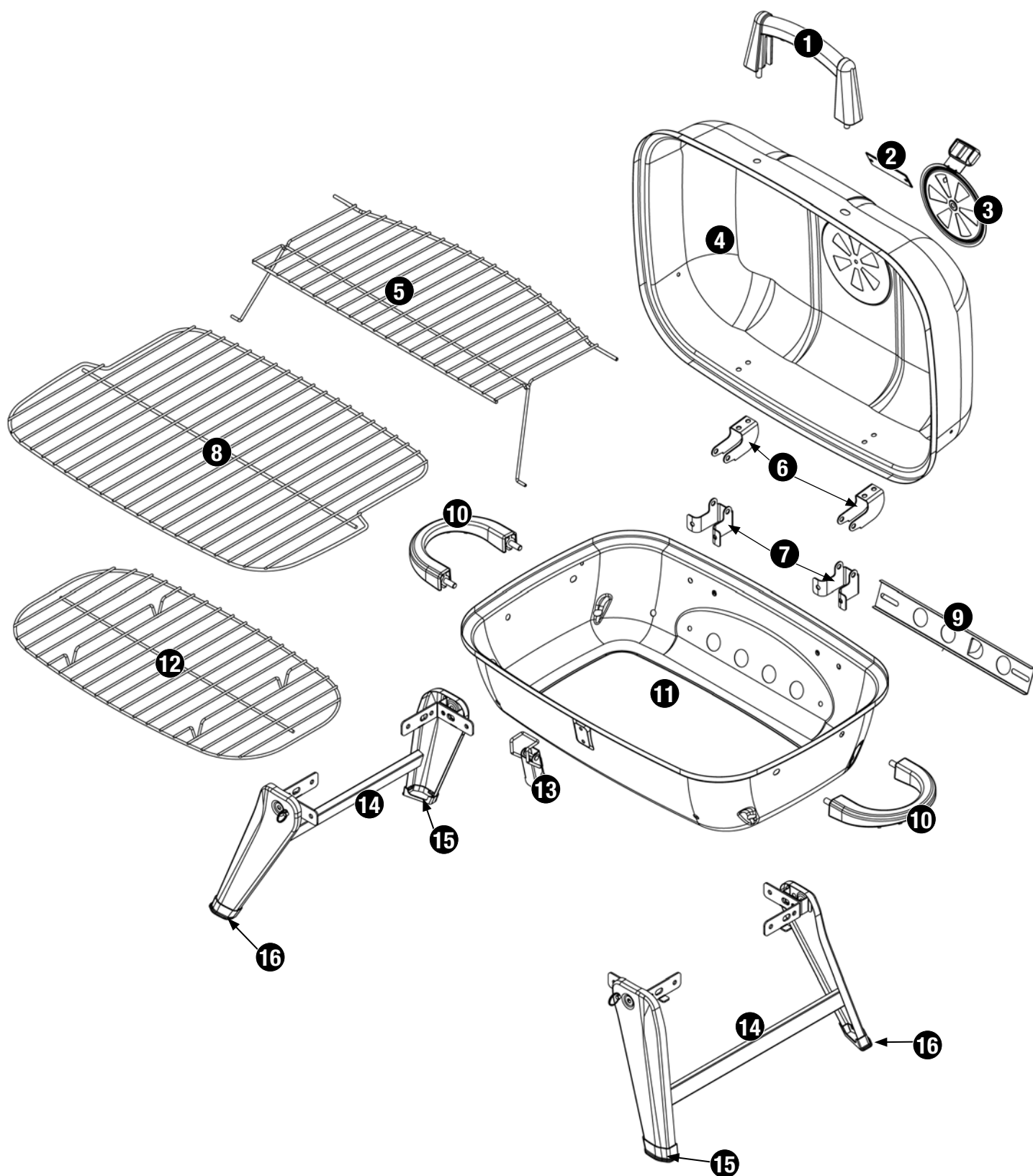
- ▲ **DANGER:** Failure to follow the dangers, warnings and cautions in this manual may result in serious bodily injury or death, or in a fire or an explosion causing damage to property.
-
- ▲ **WARNINGS:**
 - ▲ This grill is for outdoor use only, and should NOT be used in a building, garage or any other enclosed area.
 - ▲ Do NOT operate, light or use this appliance within ten feet (3.05 m) of walls, structures or buildings.
 - ▲ For residential use only. This grill is NOT for commercial use.
 - ▲ Never use charcoal that has been pre-treated with lighter fluid. Use only a high grade plain charcoal, charcoal/wood mixture, lump charcoal or cooking wood. The conversion to or attempted use of any other fuel source in this charcoal grill is dangerous and will void your warranty.
 - ▲ This grill is NOT intended for and should never be used as a heater. TOXIC fumes can accumulate and cause asphyxiation.
 - ▲ Do NOT use grill for indoor cooking. TOXIC carbon monoxide fumes can accumulate and cause asphyxiation.
 - ▲ This grill is safety certified for use in the United States and/or Canada only. Do NOT modify for use in any other location. Modification will result in a safety hazard and will void your warranty.
 - ▲ Apartment dwellers: Check with management to learn the requirements and fire codes for using a charcoal grill in your apartment complex. If allowed, use outside on the ground floor with a ten foot (3.05 m) clearance from any structure. Do NOT use on or under balconies.
 - ▲ Minimum clearance from sides and back of unit to combustible construction is 36 inches (91.4 cm). Do NOT use this appliance under any type of overhang or roof.
 - ▲ Do NOT use gasoline, kerosene or alcohol for lighting.
 - ▲ Do NOT use in an explosive atmosphere. Keep grill area clear and free from combustible materials, gasoline and other flammable vapors and liquids.
 - ▲ Do NOT store or use gasoline or other flammable liquids or vapors within 25 feet (7.62 m) of this appliance.
 - ▲ Do NOT block holes in sides or back of grill.
 - ▲ Inspect grill before each use.
 - ▲ Do NOT alter grill in any manner. Any alteration will void your warranty.
 - ▲ Do NOT build this model of grill in any built-in or slide-in construction. Ignoring this warning could cause a fire or an explosion that can damage property and cause serious bodily injury or death.
 - ▲ Do NOT use the grill unless it is COMPLETELY assembled and all parts are securely fastened and tightened.
 - ▲ This grill should be thoroughly cleaned and inspected on a regular basis.
 - ▲ Use only Blue Rhino Global Sourcing, Inc. factory-authorized parts. The use of any part that is not factory-authorized can be dangerous and will void your warranty.
 - ▲ Do NOT operate this appliance without reading "Operating Instructions" in this manual.
 - ▲ To avoid burns, do NOT touch metal parts of grill until they have completely cooled, unless you are wearing protective gear (pot holders, gloves, BBQ mittens, etc.).
 - ▲ Never touch grates (charcoal, cooking or warming), ashes or coals to see if they are hot.
 - ▲ Do NOT use on wooden decks, wooden furniture or other combustible surfaces.
 - ▲ This grill is NOT to be used in or on boats or recreational vehicles.
 - ▲ Position grill so wind cannot carry ashes to combustible surfaces.
 - ▲ Do NOT use in high winds.
 - ▲ Never lean over the grill when lighting.
 - ▲ Do NOT leave a lit grill unattended. Keep children and pets away from grill at all times.
 - ▲ Do NOT attempt to move grill when in use. Allow the grill to cool before moving or storing.
 - ▲ Do NOT leave grill unattended while preheating or burning off food residue.
 - ▲ When cooking, fire extinguishing materials should be readily accessible. In the event of an oil/grease fire, do NOT attempt to extinguish with water. Use type BC dry chemical fire extinguisher or smother with dirt, sand or baking soda.
 - ▲ Always open grill lid carefully and slowly as heat and steam trapped within grill can severely burn you.
 - ▲ If grill has not been cleaned, a grease fire can occur that may damage the product.
 - ▲ Do NOT place empty cooking vessels on the appliance while in operation.
 - ▲ Use caution when placing anything on the grill while the appliance is in operation.
 - ▲ Never add lighting fluid to hot or warm coals as a flashback may occur causing serious injury or damage to property.
 - ▲ Always place your grill on a hard, non-combustible level surface. An asphalt or blacktop surface may not be acceptable for this purpose.
 - ▲ Do NOT remove the ashes until they are completely and fully extinguished.
 - ▲ Live hot briquettes and coals can create a fire hazard.
 - ▲ Always empty the bottom bowl and grill after each use.
 - ▲ Do NOT place fuel (charcoal briquettes, wood or lump charcoal) directly into bottom of grill. Place fuel only on the charcoal pan/grid.
 - ▲ Do NOT allow charcoal to rest on the walls of grill. Doing so will greatly reduce the life of the metal and finish of your grill.
 - ▲ Check to make sure the air vents are free of debris and ash before using the grill.
 - ▲ Extinguished coals and ashes should be placed a safe distance from all structures and combustible materials.
 - ▲ With a garden hose, completely wet the surface beneath and around grill to extinguish any ashes, coals or embers that may have fallen during the cooking or cleaning process.
 - ▲ The use of alcohol, prescription or non-prescription drugs may impair the consumer's ability to properly assemble and/or safely operate this grill.
 - ▲ Always wear protective gloves when adding fuel (charcoal briquettes, wood or lump charcoal) to retain desired heat level.
 - ▲ Keep all electrical cords away from a hot grill.
 - ▲ Always use a meat thermometer to ensure food is cooked to a safe temperature.
 - ▲ Never cover entire cooking area with aluminum foil.
 - ▲ Use protective gloves when assembling this product.
 - ▲ Do NOT force parts together as this can result in personal injury or damage to the product.
 - ▲ Do NOT touch ash receiver or ash receiver handle until grill has completely cooled, unless you are wearing protective gear.
 - ▲ Do NOT touch air vent or air vent handle until grill has completely cooled, unless you are wearing protective gear.
 - ▲ Death, serious injury or damage to property may occur if the above is not followed exactly.

Parts List

1	Lid Handle	55-24-909
2	Brand Plate	55-22-270
3	Lid Air Vent	55-07-111
4	Lid	55-24-891
5	Warming Rack	55-24-892
6	Top Hinge (2)	55-10-100
7	Bottom Hinge (2)	55-14-653
8	Cooking Grid	55-24-893
9	Bottom Bowl Air Vent	55-10-102
10	Side Handle (2)	55-24-910
11	Bottom Bowl	55-24-894
12	Charcoal Grid	55-24-450
13	Lock	55-09-222
14	Leg Assembly (2)	55-24-895
15	Foot A (2)*	55-24-896
16	Foot B (2)*	55-24-897

* Pre-assembled

Expanded View

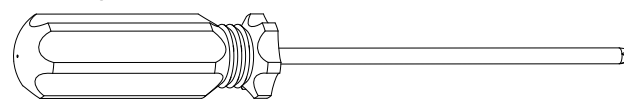


Hardware

A	Screw	M4x10 Stainless Steel Phillips Head	5 pcs
B	Screw	M4x10 Nickel Plated Step Phillips Head	2 pcs
C	Screw	M5x12 Nickel Plated Phillips Truss Head	16 pcs
D	Wing Nut	M4 Steel	7 pcs
E	Wing Nut	M5 Steel	22 pcs
F	Washer	ø5 Nickel Plated	20 pcs
G	Washer	ø22 Nickel Plated	2 pcs
H	Lock Washer	ø5 Nickel Plated	22 pcs
I	Pin	ø5 x 30 Nickel Plated	2 pcs
J	Cotter Pin	ø1.4 x 38 Black	2 pcs

Tools Required for Assembly (Not Included)

#2 Phillips Head Screwdriver 1 pc



Assembly Instructions
1
DO NOT RETURN TO PLACE OF PURCHASE.

For assistance, call **1.800.762.1142** toll-free. Please have your owner's manual and model number available for reference.

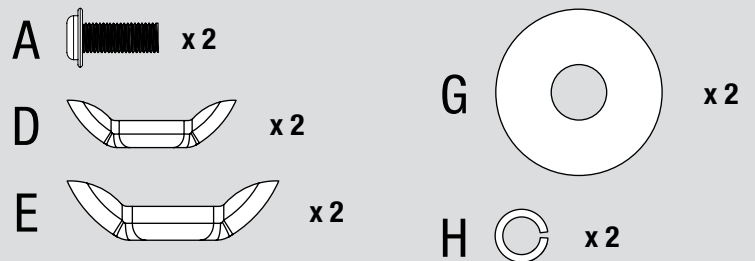
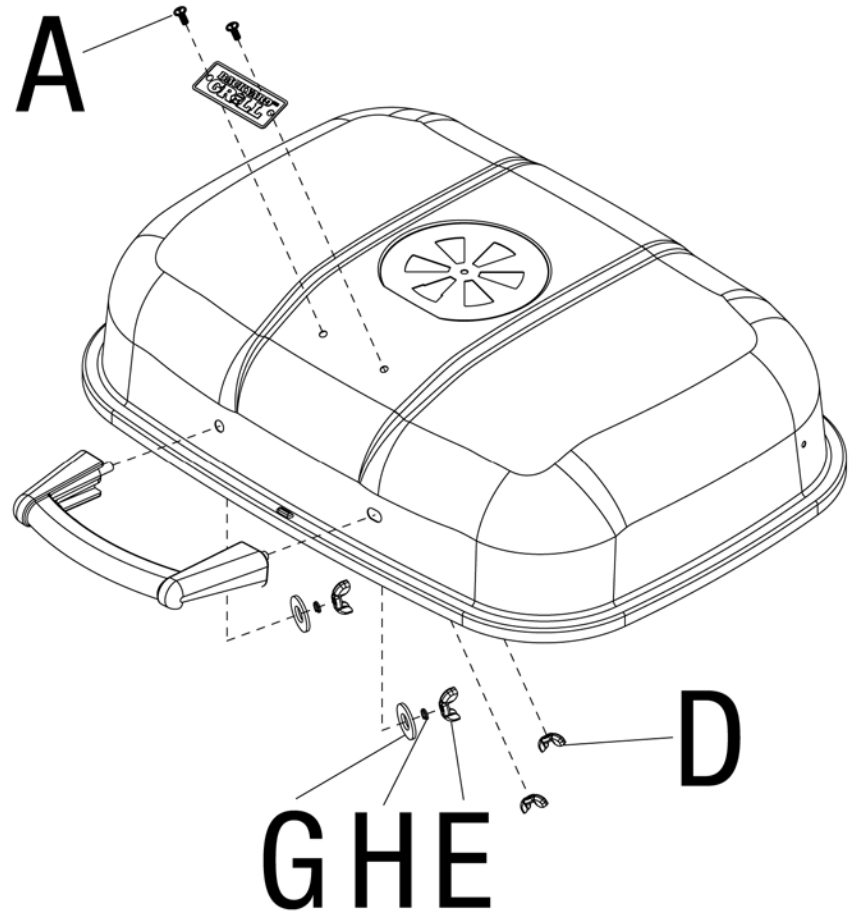
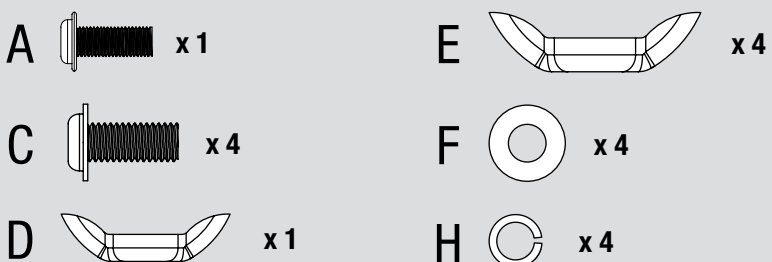
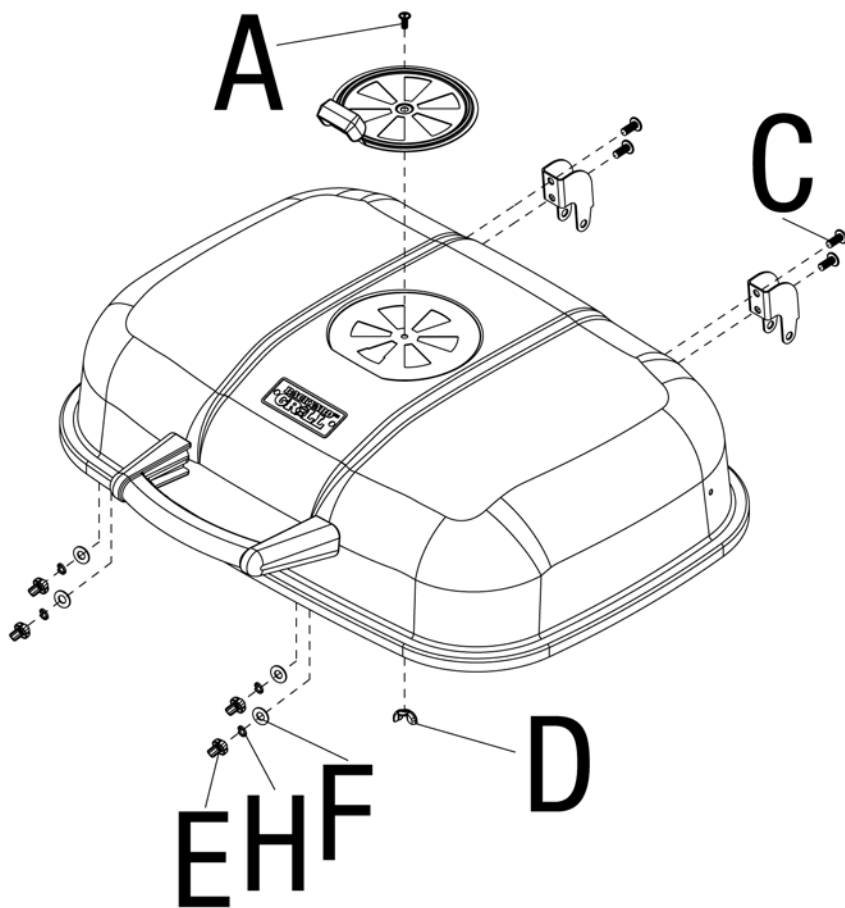
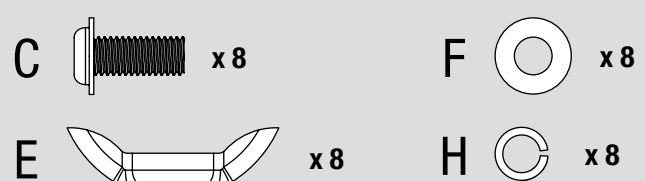
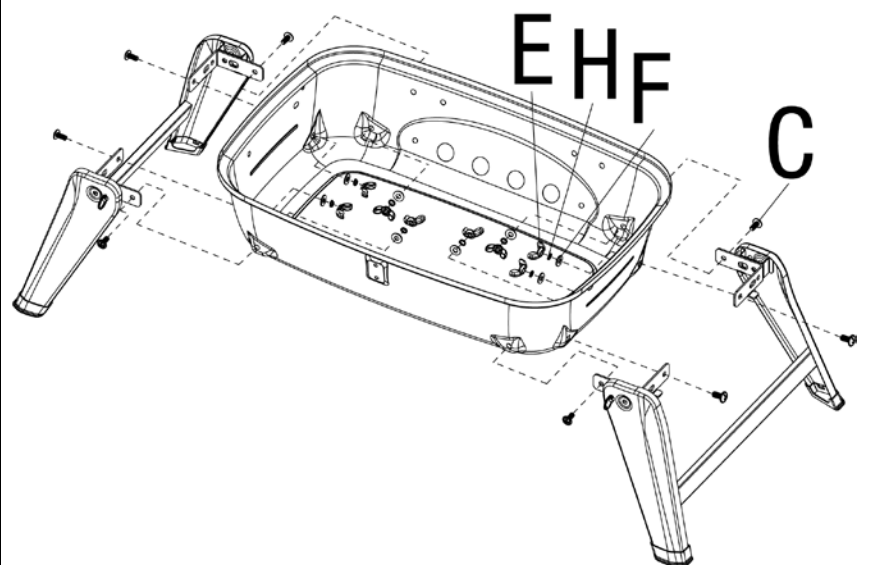
For Easiest Assembly:

1. Select an area where you will assemble this product. To protect components, choose a smooth surface that's free of cracks or openings.
2. Spread out all parts.
3. Tighten all hardware connections by hand first. Then, before completing each step, go back and fully tighten all hardware. Be careful not to overtighten. That could damage surfaces or strip threads.
4. For best results, complete each step in the order presented.

To complete assembly you will need:

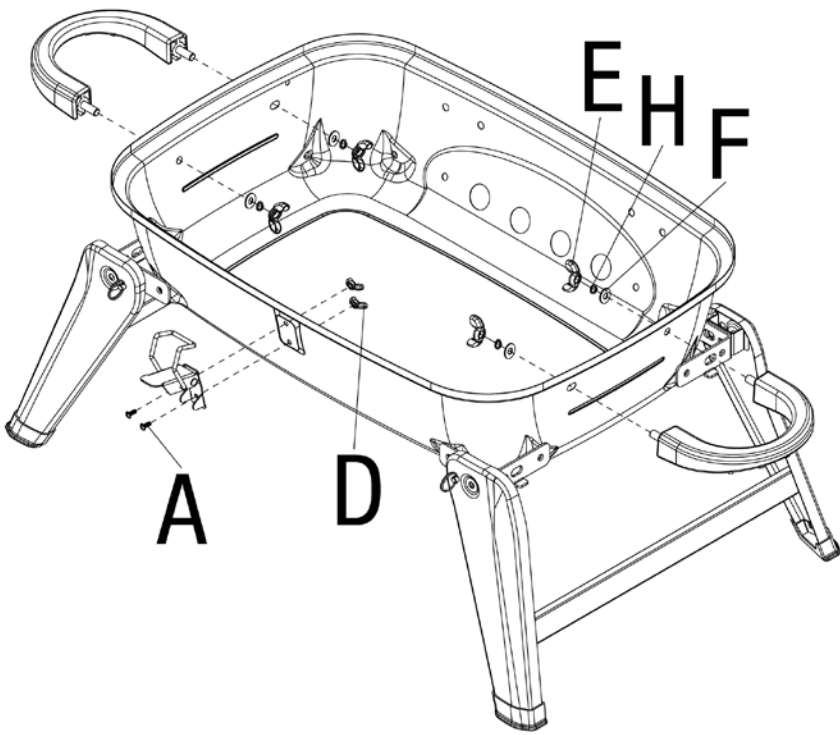
- One bag of charcoal (not included)



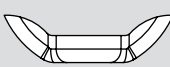


Typical assembly is approximately 45 minutes.

2
Attach Brand Plate and Lid Handle

3
Attach Top Hinges and Lid Air Vent

4
Attach Legs


5

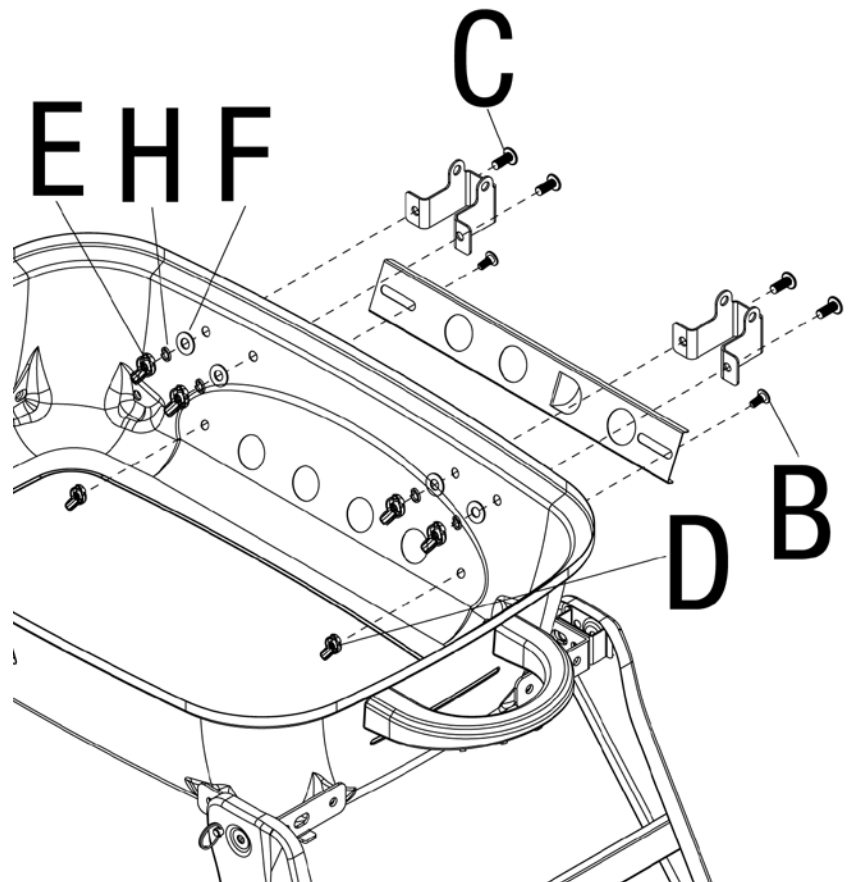
Attach Side Handles and Lock

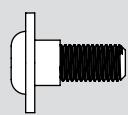

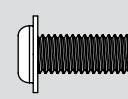





- | | | | |
|---|--|---|--|
| A |  x2 | F |  x4 |
| D |  x2 | H |  x4 |
| E |  x4 | | |

6

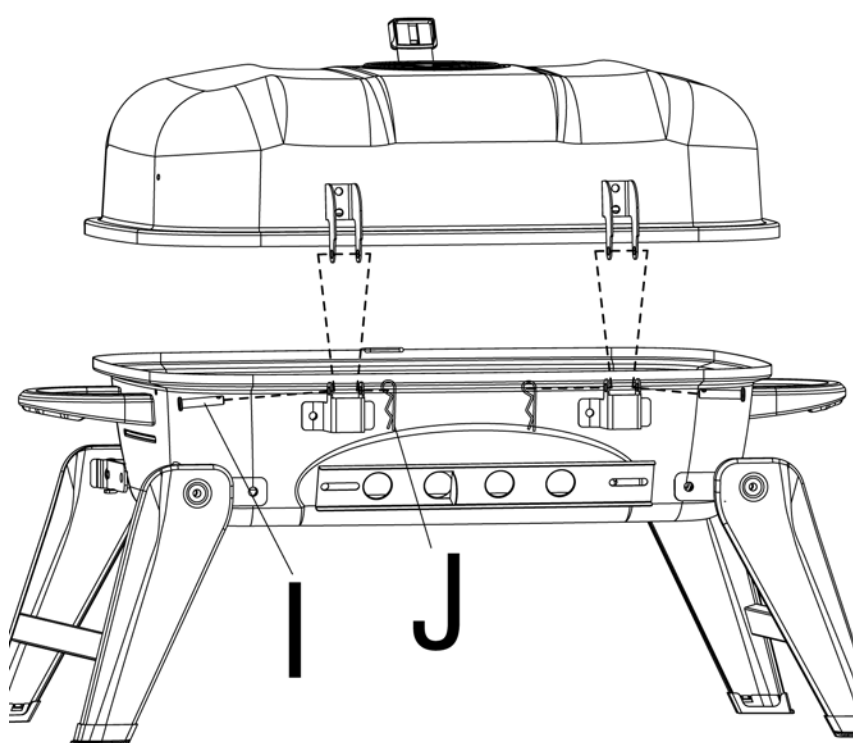
Attach Bottom Hinges and Bottom Air Vent

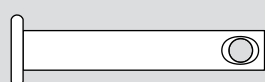
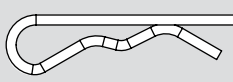


- | | | | |
|---|--|---|--|
| B |  x2 | E |  x4 |
| C |  x4 | F |  x4 |
| D |  x2 | H |  x4 |

7

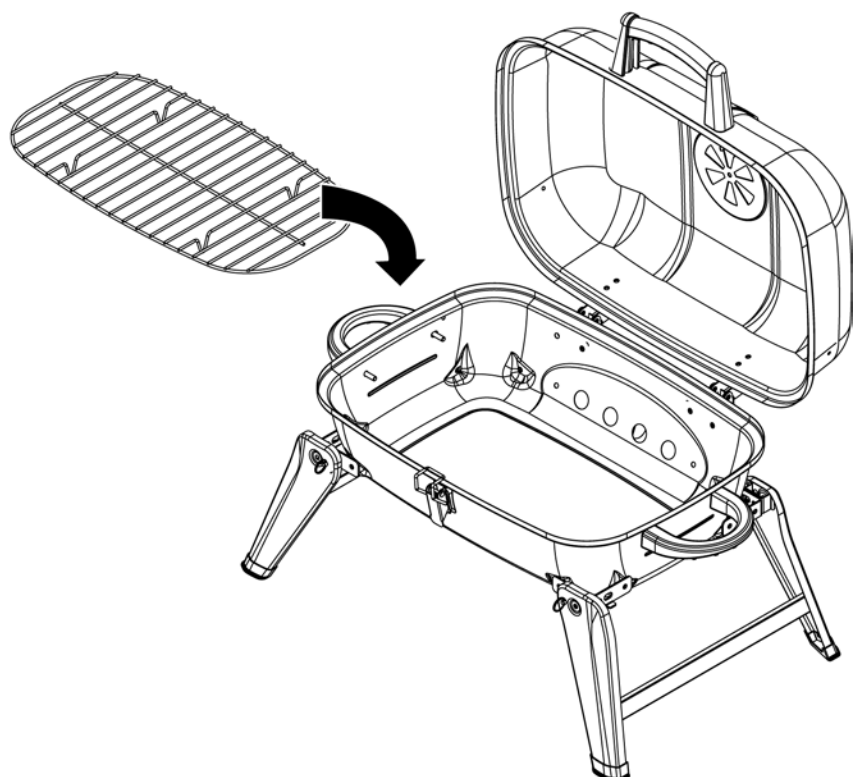
Attach Lid



- | | | | |
|---|--|---|--|
| I |  x2 | J |  x2 |
|---|--|---|--|

8

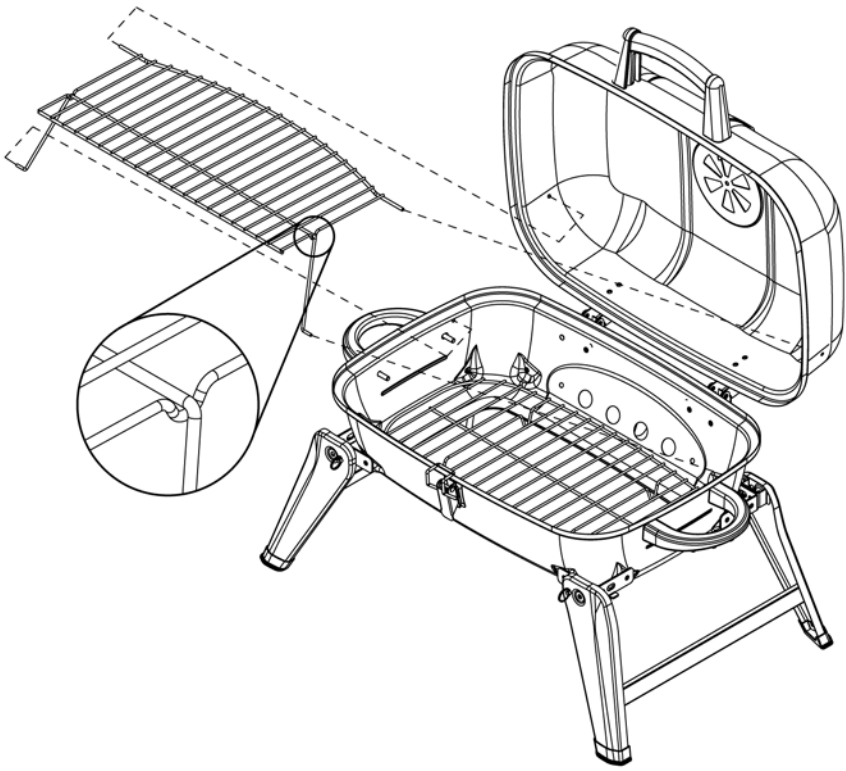
Insert Charcoal Grid



Assembly Instructions (continued)

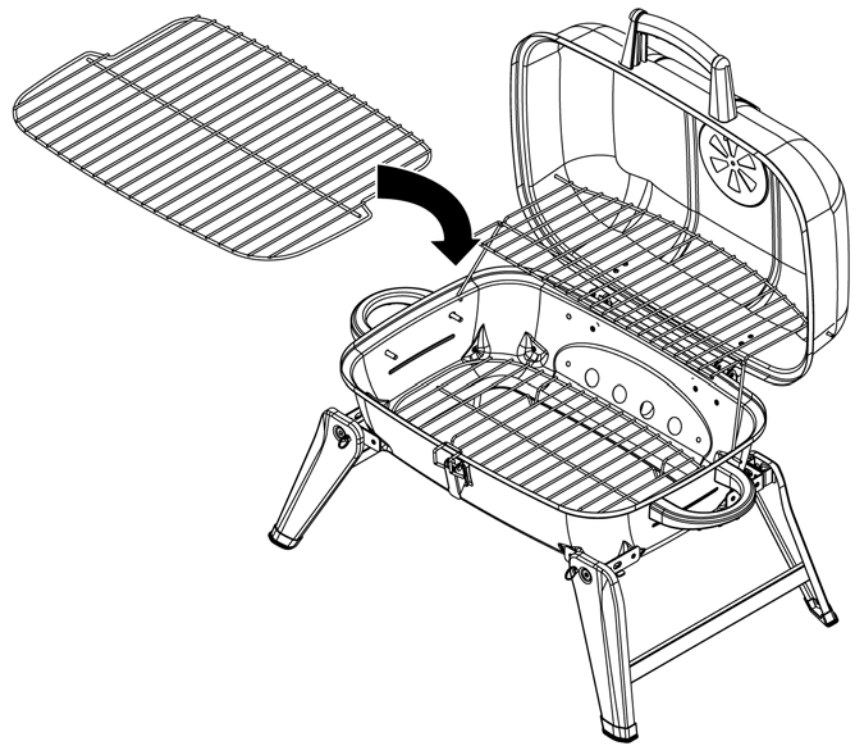
9

Insert Warming Rack



10

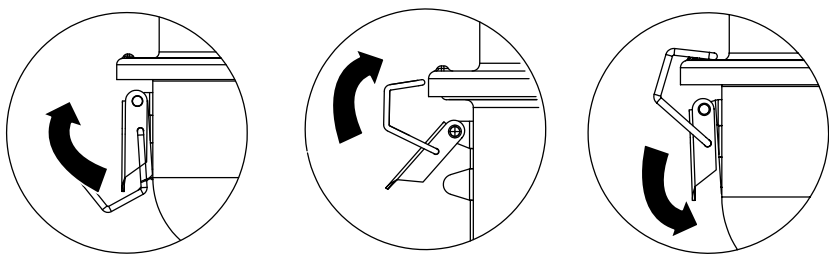
Insert Cooking Grid



11

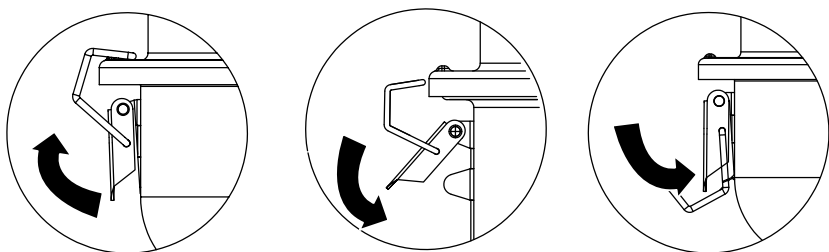
Lock Lid

Note: Lid must be locked before transporting grill.



Unlock Lid

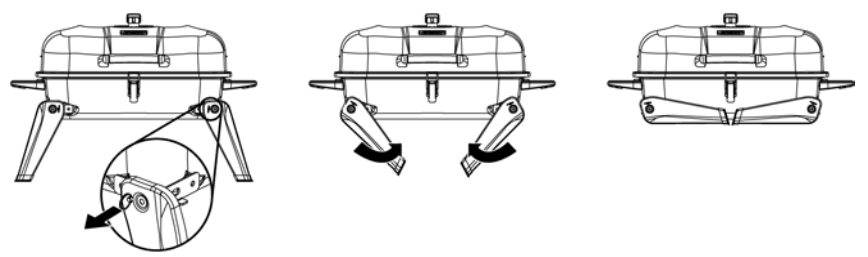
Note: Always unlock and open lid before lighting grill.



12

Fold Up Legs

Note: Always lock lid before folding legs.



Unfold Legs

Note: Always open legs completely and secure in place before lighting grill.



Operating Instructions

- ▲ **CAUTION:** Never use charcoal that has been pre-treated with lighter fluid. Use only a high grade plain charcoal, charcoal/wood mixture, lump charcoal or cooking wood.

First Use

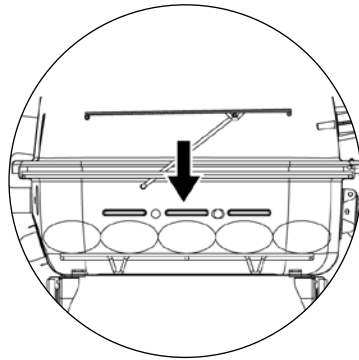
1. Make sure all labels, packaging and protective films have been removed from the grill.
2. Remove manufacturing oils before cooking on this grill for the first time, by operating the grill for at least 15 minutes with the lid closed. This will "heat clean" the internal parts and dissipate odors.

Lighting Instructions

- ▲ **CAUTION:** Keep outdoor cooking appliance area clear and free from combustible materials, gasoline and other flammable vapors and liquids.
- ▲ **CAUTION:** Check to make sure the air vents are free of debris and ash before using the grill.
- ▲ **CAUTION:** Attempting to light the grill with the lid closed may cause an explosion.
- ▲ **CAUTION:** When using a liquid starter, always check bottom bowl before lighting. Fluid can collect in the bottom bowl and could ignite, resulting in a fire.
- ▲ **CAUTION:** Never add lighting fluid to hot or warm coals as flashback may occur, causing serious injury or damage to property.

1. Open lid and vents.
2. Make sure bottom bowl is empty.
3. Remove cooking grid.
4. Arrange charcoal briquettes or other fuel on the charcoal grid to the "Fill Line" (Figure 1).
5. Light per instructions on fuel package.
6. Allow fuel time to ash into glowing coals before cooking.

Figure 1



Turning Off

1. Allow charcoal to completely extinguish itself.
- ▲ **WARNING:** Do NOT use water to extinguish. This can be dangerous and cause damage.
2. Dispose of the ashes in a proper location.

Controlling Flare-ups:

- ▲ **CAUTION:** Do NOT use water on a grease fire. This can cause the grease to splatter and could result in serious burns, bodily harm or other damage.
- ▲ **CAUTION:** Do NOT leave grill unattended while preheating or burning off food residue. If grill has not been cleaned, a grease fire can occur that may damage the product.
- ▲ **WARNING:** When cooking, fire extinguishing materials should be readily accessible. In the event of an oil/grease fire, use a type BC dry chemical fire extinguisher or smother with dirt, sand or baking soda. Do NOT attempt to extinguish with water.

Flare-ups are a part of cooking meats on a grill and add to the unique flavor of grilling.

Excessive flare-ups can over-cook your food and be dangerous.

Important: Excessive flare-ups result from the build-up of grease in the bottom of your grill.

If a grease fire occurs, close the lid until the grease burns out. Use caution when opening the lid as sudden flare-ups may occur.

If excessive flare-ups occur, do **NOT** pour water onto the flames.

Minimize Flare-ups:

1. Trim excess fat from meats prior to cooking.
2. Cook high fat content meats indirectly.
3. Ensure that your grill is on a hard, level, non-combustible surface.

Cleaning and Care

- ▲ **CAUTION:**
 1. All cleaning and maintenance should be done when grill is cool and with the ashes properly disposed of.
 2. Do NOT clean any grill part in a self-cleaning oven. The extreme heat will damage the finish.

Notices

1. This grill should be thoroughly cleaned and inspected on a regular basis.
2. Abrasive cleaners will damage this product.
3. Never use oven cleaner to clean any part of grill.

Before Each Use

1. Keep the grill area free and clear from any combustible materials, gasoline, and other flammable vapors and liquids.
2. See below for proper cleaning instructions.

Cleaning Surfaces

1. Wait for grill to fully cool.
2. Wipe surfaces clean with a mild dishwashing detergent or baking soda mixed with water.
3. For stubborn stains, use a citrus-based degreaser and a nylon scrubbing brush.
4. Rinse clean with water.
5. Allow to air dry.

Before Storing

1. Wait for grill to fully cool.
2. Clean all surfaces.
3. If storing the grill indoors, cover the grill and store in a cool dry place.
4. If storing the grill outdoors, cover the grill with a grill cover for protection from the weather.

Product Registration

For faster warranty service, register your product immediately at BlueRhino.com/warranty or by calling 1.800.762.1142.

Replacement Parts

Replacement parts can be found at parts.BlueRhino.com or by calling 1.800.762.1142.



Limited Warranty

Blue Rhino Global Sourcing, Inc. ("Blue Rhino") warrants to the original retail purchaser of this product, and to no other person, that if this product is assembled, maintained, and operated in accordance with the printed instructions accompanying it, then for a period of one (1) year from the date of purchase, all parts in such product shall be free from defects in material and workmanship. Blue Rhino may require reasonable proof of your date of purchase. Therefore, you should retain your sales slip or invoice. This Limited Warranty shall be limited to the repair or replacement of parts, which prove defective under normal use and service and which Blue Rhino shall determine in its reasonable discretion upon examination to be defective. Before returning any parts, you should contact Blue Rhino's Customer Service Department using the contact information listed below. If Blue Rhino confirms, after examination, a defect covered by this Limited Warranty in any returned part, and if Blue Rhino approves the claim, Blue Rhino will replace such defective part without charge. If you return defective parts, transportation charges must be prepaid by you. Blue Rhino will return replacement parts to the original retail purchaser, freight or postage prepaid.

This Limited Warranty does not cover any failures or operating difficulties due to accident, abuse, misuse, alteration, misapplication, improper installation or improper maintenance or service by you or any third party, or failure to perform normal and routine maintenance on the product as set out in this owner's manual. In addition, the Limited Warranty does not cover damage to the finish, such as scratches, dents, discoloration, rust or other weather damage, after purchase.

This Limited Warranty is in lieu of all other express warranties. Blue Rhino disclaims all warranties for products that are purchased from sellers other than authorized retailers or distributors, including the warranty of merchantability or the warranty of fitness for a particular purpose. BLUE RHINO ALSO DISCLAIMS ANY AND ALL IMPLIED WARRANTIES, INCLUDING WITHOUT LIMITATION THE IMPLIED WARRANTIES OF MERCHANTABILITY AND FITNESS FOR A PARTICULAR PURPOSE. BLUE RHINO SHALL HAVE NO LIABILITY TO PURCHASER OR ANY THIRD PARTY FOR ANY SPECIAL, INDIRECT, PUNITIVE, INCIDENTAL, OR CONSEQUENTIAL DAMAGES. Blue Rhino further disclaims any implied or express warranty of, and assumes no responsibility for, defects in workmanship caused by third parties.

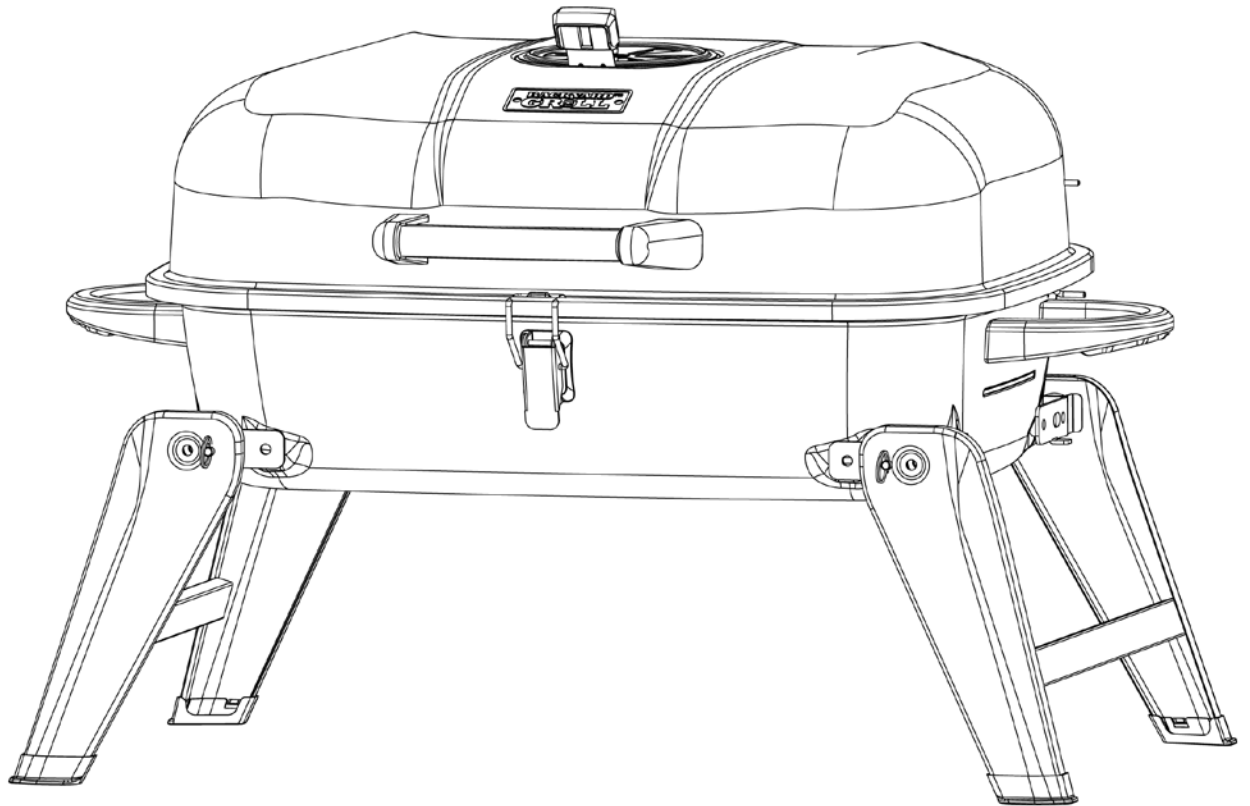
This Limited Warranty gives the purchaser specific legal rights; a purchaser may have other rights depending upon where he or she lives. Some jurisdictions do not allow the exclusion or limitation of special, incidental or consequential damages, or limitations on how long a warranty lasts, so the above exclusion and limitations may not apply to everyone.

Blue Rhino does not authorize any person or company to assume for it any other obligation or liability in connection with the sale, installation, use, removal, return, or replacement of its equipment, and no such representations are binding on Blue Rhino.

Blue Rhino Global Sourcing, Inc.
Winston-Salem, North Carolina 27105 USA
1.800.762.1142

Parrilla de carbón para exteriores

Modelo no. BY16-103-001-01 / Artículo no. CBT1622W



ADVERTENCIA
PARA SU SEGURIDAD:
Solamente para uso en exteriores
(fuera de cualquier recinto)

WARNING
FOR YOUR SAFETY:

1. Una instalación, ajuste, alteración, reparación o mantenimiento inadecuados pueden causar lesiones o daños a la propiedad.
2. Lea atentamente las instrucciones de instalación, funcionamiento y mantenimiento del equipo antes de instalarlo, ponerlo en marcha o darle servicio.
3. El no seguir estas instrucciones puede ocasionar un incendio o una explosión, con sus consecuentes daños a la propiedad, lesiones personales y hasta accidentes fatales.
4. Este manual de instrucciones contiene información importante necesaria para un correcto ensamblaje y uso seguro del aparato.
5. Lea y siga todas las instrucciones y advertencias antes de ensamblar y usar el producto.
6. Obedezca todas las advertencias e instrucciones cuando use el equipo.
7. Guarde este manual para referencia futura.

ADVERTENCIA
PARA SU SEGURIDAD:

1. NO guarde o use gasolina u otros líquidos o vapores inflamables cerca de esta unidad o de cualquier otro aparato.
2. Cuando utilice aceite/mantequilla para cocinar procure que ésta NO supere los 350°F (176,5°C). NO almacene aceite de cocina ni la use en exceso cerca de esta u otra unidad de cocción.

PELIGRO
Nunca deje este artefacto encendido sin vigilancia.

Indice

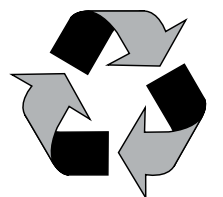
Salvaguardias importantes	Página 2
Diagrama de explosión y elementos de ferretería	3
Instrucciones de armado	4
Instrucciones de operación	7
Limpieza y cuidado	7
Registro del producto	7
Piezas de repuesto	7
Garantía limitada	8

ESTE MANUAL DE INSTRUCCIONES CONTIENE INFORMACIÓN IMPORTANTE SOBRE LA SEGURIDAD. POR FAVOR, LÉALO Y CONSÉRVELO PARA FUTURAS CONSULTAS.

Conserve estas instrucciones para futuras consultas. Si está montando esta unidad para otra persona, entréguele este manual para futuras consultas.

Propuesta 65 de California: La combustión del propano al usar esta unidad crea productos químicos considerados por el Estado de California como causantes de cáncer, malformaciones congénitas u otros daños reproductivos.

Propuesta 65 de California: Lavarse las manos después de manipular este producto.



Hecho con 75% de bagazo de caña
(subproducto de la caña de azúcar
respetuoso del medio ambiente)

Salvaguardias importantes

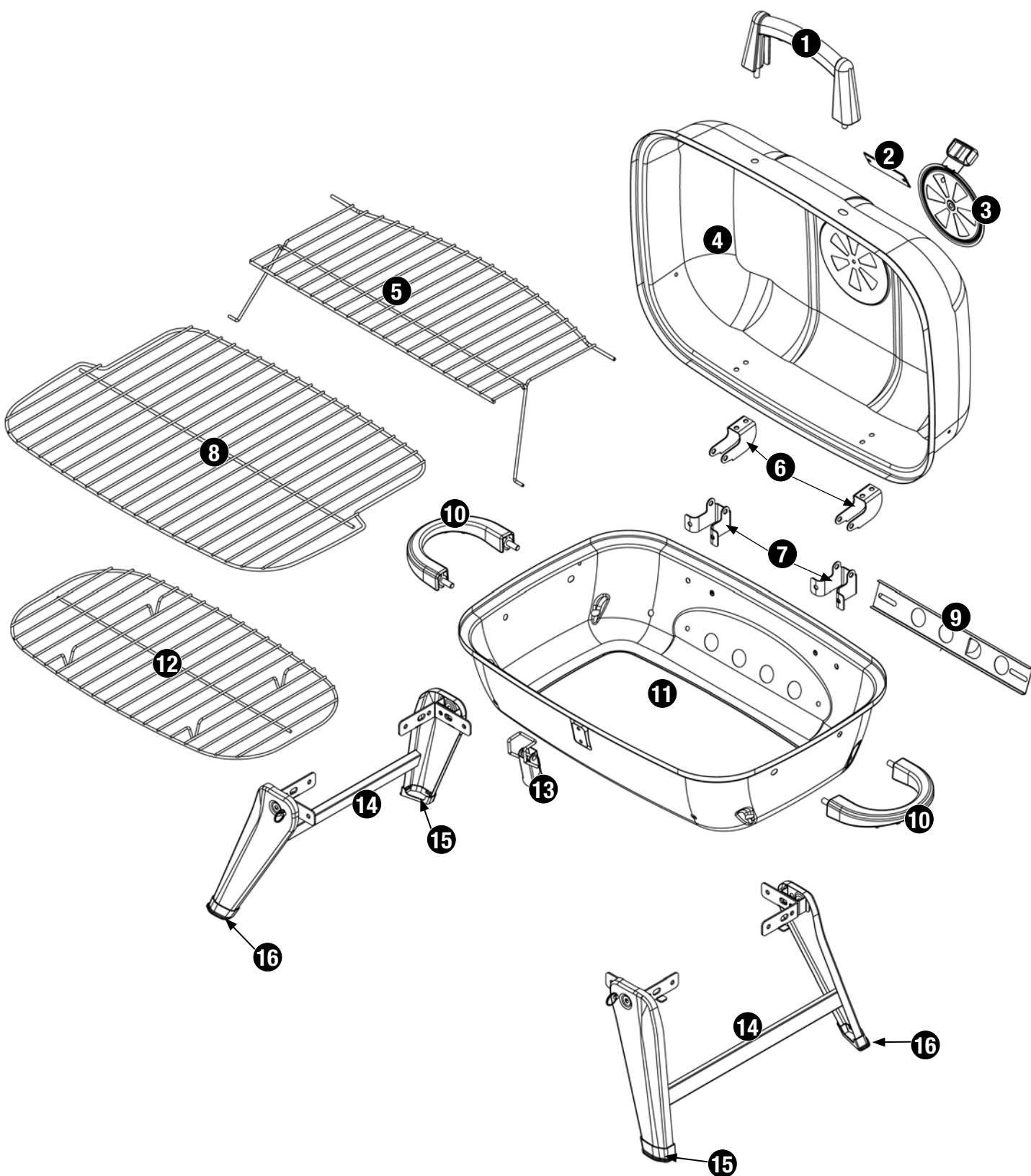
- ▲ **PELIGRO:** El no seguir los avisos de peligro, las advertencias y las precauciones de este manual, puede ocasionar un incendio o una explosión, con sus consecuentes daños a la propiedad, lesiones personales y hasta accidentes fatales.
-
- ▲ **ADVERTENCIAS:**
 - ▲ Esta parrilla es para ser usada al aire libre únicamente y no debe usarse en un edificio, garaje o cualquier otra área cerrada.
 - ▲ NO opere, encienda o use esta unidad a menos de 10 pies (3 m) de paredes estructuras o edificaciones.
 - ▲ Para uso residencial únicamente. Esta parrilla NO ha sido diseñada para uso comercial.
 - ▲ Nunca use carbón previamente tratado con líquido para encenderlo. Use solo carbón corriente de alta calidad, mezcla de carbón y madera, carbón en trozos o madera para cocinar. La conversión a otra fuente de combustible o cualquier intento de usarla en esta parrilla a carbón representa un peligro e invalidará la garantía.
 - ▲ Esta parrilla no ha sido diseñada como calentador y nunca se la debe utilizar como tal. Gases TÓXICOS pueden acumularse y provocar la asfixia.
 - ▲ NO use la parrilla para cocinar adentro. Los gases TÓXICOS de monóxido de carbono pueden acumularse y provocar la asfixia.
 - ▲ Esta parrilla tiene certificación de seguridad para uso en los Estados Unidos y/o Canadá solamente. No modifique la unidad para uso en otros lugares. La modificación causará un riesgo de seguridad y anulará la garantía.
 - ▲ Habitantes de apartamentos: consulte con la administración para obtener información sobre los requisitos y códigos de incendio correspondiente al uso de parrillas para exteriores en su edificio de departamentos. Si están permitidas, úsela fuera de la vivienda sobre el piso con una separación de diez (10) pies (3 m) de cualquier construcción. No la utilice sobre balcones o debajo de los mismos.
 - ▲ El espacio mínimo entre los laterales y la parte posterior de la unidad y la construcción combustible es de 36 pulgadas (92 cm). NO use esta parrilla debajo de aleros o bajo techo.
 - ▲ NO utilice gasolina, queroseno o alcohol para encender la parrilla.
 - ▲ NO utilice el equipo en una atmósfera explosiva. Mantenga la zona de la parrilla libre de materiales combustibles, gasolina y cualquier otro vapor o líquido inflamable.
 - ▲ NO guarde o use gasolina u otros líquidos o vapores inflamables a menos de 25 pies (7,62 m) de esta unidad.
 - ▲ NO obstruya los agujeros situados a los lados y en la parte trasera de la parrilla.
 - ▲ Inspeccione la parrilla antes de cada uso.
 - ▲ NO altere la parrilla de ninguna forma. Esto invalidará su garantía.
 - ▲ NO instale este modelo de parrilla en ninguna construcción empotrada o que requiera deslizamiento interior. Ignorar esta advertencia podría provocar un incendio o una explosión y causar daños materiales así como lesiones corporales graves o la muerte.
 - ▲ No utilice la parrilla a menos que esté **COMPLETAMENTE** montada y que todas las piezas estén bien fijadas y apretadas.
 - ▲ Esta parrilla debe limpiarse y verificarse completamente de manera regular.
 - ▲ Use únicamente piezas autorizadas de fábrica de Blue Rhino Global Sourcing, Inc. El uso de cualquier pieza no autorizada de fábrica puede ser peligroso. Su uso también invalidará su garantía.
 - ▲ NO encienda esta unidad sin haber leído las instrucciones de "Operación" que se encuentran en este manual.
 - ▲ NO toque las piezas de metal de la parrilla hasta que no se haya enfriado completamente para evitar quemaduras, a menos que usted tenga puestos elementos de protección tales como guantes o almohadilla para las ollas, guantes de barbacoa, etc.
 - ▲ Nunca toque rejillas (de carbón o de cocción), las cenizas o el carbón para determinar si están calientes.
 - ▲ NO usar sobre terrazas de madera, muebles de madera o sobre cualquier otra una superficie combustible.
 - ▲ NO instalar o utilizar en embarcaciones o vehículos de recreo.
 - ▲ Coloque la parrilla de manera que el viento no lleve cenizas a superficies combustibles.
 - ▲ NO utilice la parrilla si hace mucho viento.
 - ▲ Nunca se apoye sobre la parrilla cuando la está encendiendo.
 - ▲ NO deje una parrilla encendida sin vigilancia. Mantenga los niños y las mascotas lejos de la parrilla en todo momento.
 - ▲ NO intente mover la parrilla mientras esté encendida. Deje que la parrilla se enfríe antes de moverla o guardarla.
 - ▲ NO deje la parrilla sin supervisión al precalentar o quemar residuos de alimentos con la perilla en la graduación más alta.
 - ▲ Cuando esté cocinando, tenga fácilmente accesibles los elementos para extinguir un incendio. En caso de que la sustancia de freír se incendie no trate de extinguir el fuego con agua. Use un extinguidor de material químico seco tipo BC o ahogue el fuego con tierra, arena o soda de hornear.
 - ▲ Abra siempre la tapa de la parrilla en forma cuidadosa y lentamente, pues el calor y el vapor que hay dentro de la parrilla pueden ocasionarle severas quemaduras.
 - ▲ Si la parrilla no ha sido limpiada, puede incendiarse la grasa y dañar el producto.
 - ▲ NO coloque los recipientes de cocción sobre el artefacto mientras está en funcionamiento.
 - ▲ Tenga cuidado al colocar cosas sobre la parrilla cuando ésta se encuentre en funcionamiento.
 - ▲ Nunca añada fluido para encender al carbón caliente o tibio ya que podría causar un brote de llamas y causar lesiones graves o daños materiales.
 - ▲ Coloque siempre la parrilla sobre una superficie firme y nivelada que no sea combustible. Una superficie de asfalto o de pavimento puede que no sea adecuada para este propósito.
 - ▲ NO quite las cenizas antes de que éstas se hayan completamente enfriado y apagado.
 - ▲ Briquetas y carbones encendidos pueden crear un riesgo de incendio.
 - ▲ Siempre vacíe el recipiente para la ceniza y la parrilla después de haberlos usado.
 - ▲ NO coloque materias combustibles (briquetas, madera o carbón de leña en bloque) directamente en el fondo de la parrilla. Coloque la materia combustible únicamente en la rejilla o bandeja para el carbón.
 - ▲ NO permita que el carbón esté en contacto en las paredes de la parrilla. Esto reducirá considerablemente la vida útil del metal y el acabado de la parrilla.
 - ▲ Verifique que las aberturas de ventilación están libres de ceniza o residuos antes de usar la parrilla y mientras la está usando.
 - ▲ El carbón apagado y las cenizas deben colocarse a una distancia segura de todas las estructuras y materiales combustibles.
 - ▲ Con una manguera de jardín, humedezca por completo la superficie debajo y alrededor de la parrilla para apagar las cenizas, carbón o brasas que puedan haberse caído durante el proceso de cocinado o limpieza.
 - ▲ El uso de bebidas alcohólicas, medicamentos o drogas de farmacia puede afectar la habilidad del usuario para armar debidamente u operar en forma segura este aparato.
 - ▲ Use siempre guantes de protección cuando vaya a agregar materia combustible (briquetas de carbón, leña o carbón de leña) para mantener el nivel de temperatura deseada.
 - ▲ Mantenga todos los cables eléctricos lejos de una parrilla caliente.
 - ▲ Use siempre un termómetro para carne para asegurar que la comida ha quedado cocida a la temperatura apropiada.
 - ▲ Nunca cubra la totalidad del área de cocción con papel de aluminio.
 - ▲ Por favor, use guantes de protección cuando esté armando este producto.
 - ▲ NO trate de forzar las piezas juntas pues esto puede ocasionar lesiones o dañar el producto.
 - ▲ NO toque el recipiente para la ceniza ni su mango hasta que la parrilla se haya enfriado completamente, a menos que esté usando elementos de protección.
 - ▲ NO toque el regulador de aire ni su mango hasta que la parrilla se haya enfriado completamente, a menos que esté usando elementos de protección.
 - ▲ El no seguir exactamente las instrucciones dadas arriba puede producir daños a la propiedad, lesiones serias y hasta fatales.

Lista de piezas

1	Manija de la tapa	55-24-909
2	Placa de la marca	55-22-270
3	Regulador de aire de la tapa	55-07-111
4	Tapa	55-24-891
5	Rejilla de calentamiento	55-24-892
6	Bisagra superior (2)	55-10-100
7	Bisagra inferior (2)	55-14-653
8	Rejilla de cocción	55-24-893
9	Regulador de aire de la carcasa	55-10-102
10	Manija lateral (2)	55-24-910
11	Carcasa	55-24-894
12	Rejilla para el carbón	55-24-450
13	Seguro	55-09-222
14	Conjunto de patas (2)	55-24-895
15	Tapón de pata A (2)*	55-24-896
16	Tapón de pata B (2)*	55-24-897

*Viene ensamblado

Despiece



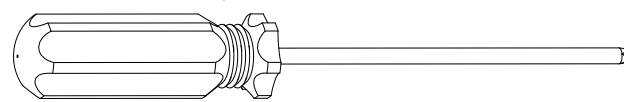
Elementos de ferretería

A	Tornillo	Acero inoxidable, de cabeza Phillips, M4x10	5 pzs
B	Tornillo	Niquelado, de grada, de cabeza Phillips, M4x10	2 pzs
C	Tornillo	Niquelado, de cabeza Phillips abombada, M5x12	16 pzs
D	Tuerca de mariposa	Acero, M4	7 pzs
E	Tuerca de mariposa	Acero, M5	22 pzs
F	Arandela	Niquelada, ø5	20 pzs
G	Arandela	Niquelada, ø22	2 pzs
H	Arandela de cierre	Niquelada, ø5	22 pzs
I	Pasador	Niquelado, ø5 x 30	2 pzs
J	Pasador de horquilla	Negro, ø1,4 x 38	2 pzs

Herramientas necesarias para el armado (no incluidas)

Destornillador Phillips nº 2

1 pz



Instrucciones de armado
1
NO DEVUELVA EL PRODUCTO AL LUGAR DE COMPRA

Si necesita ayuda llame, sin cargo, al **1.800.762.1142**. Por favor tenga a mano su manual y el número del modelo, para referencia.

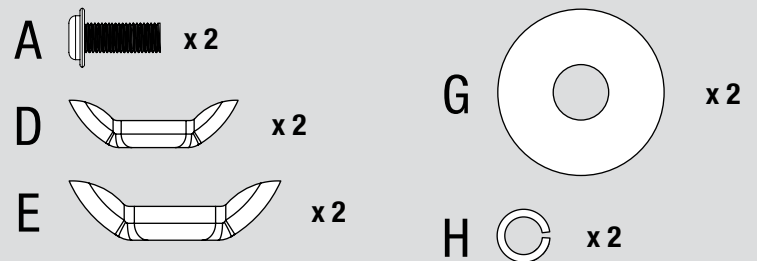
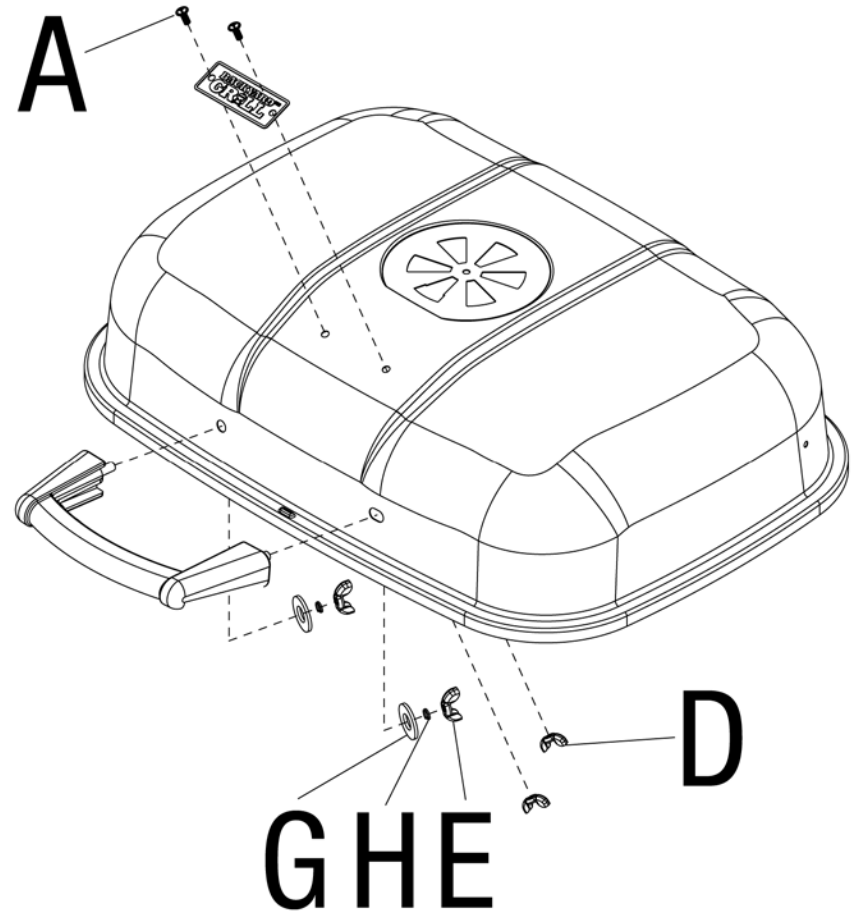
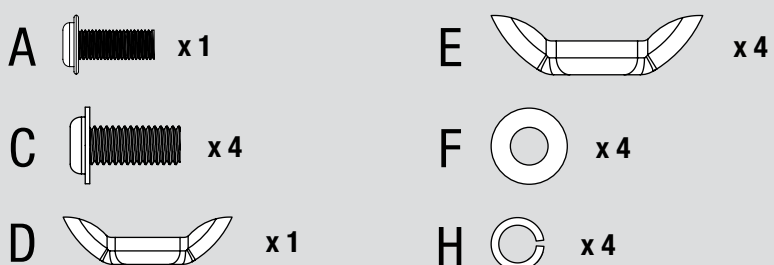
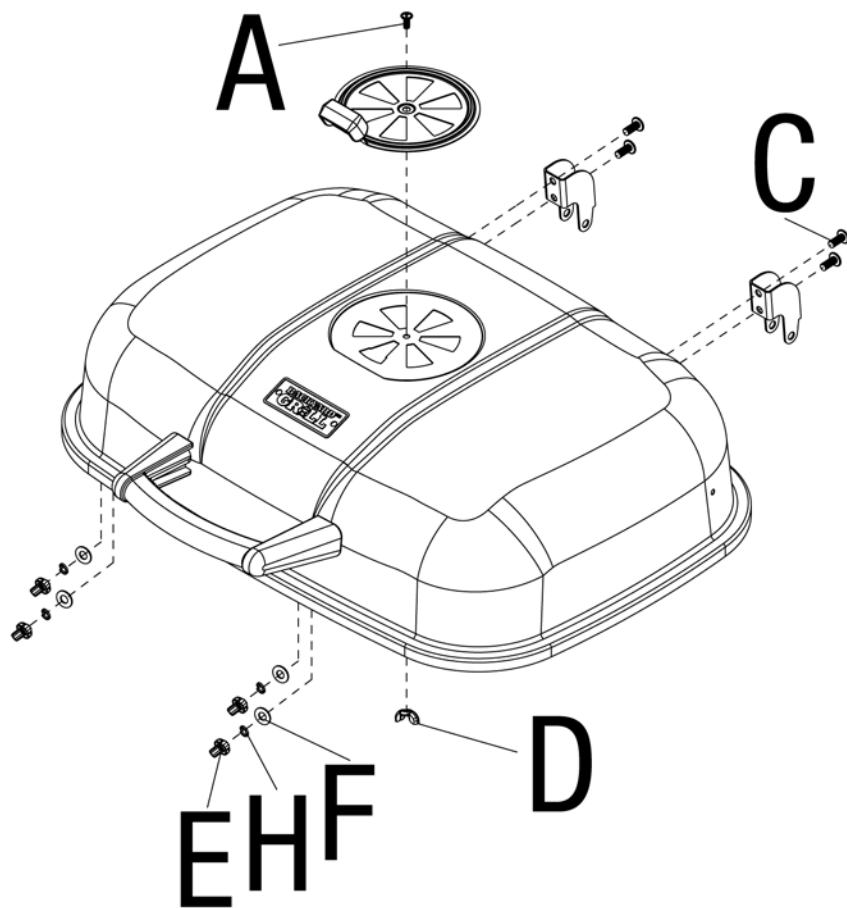
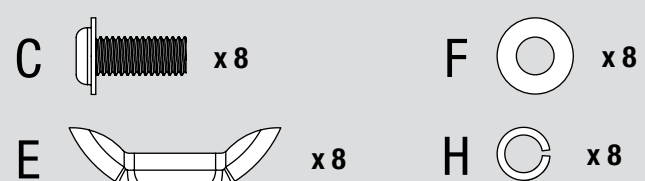
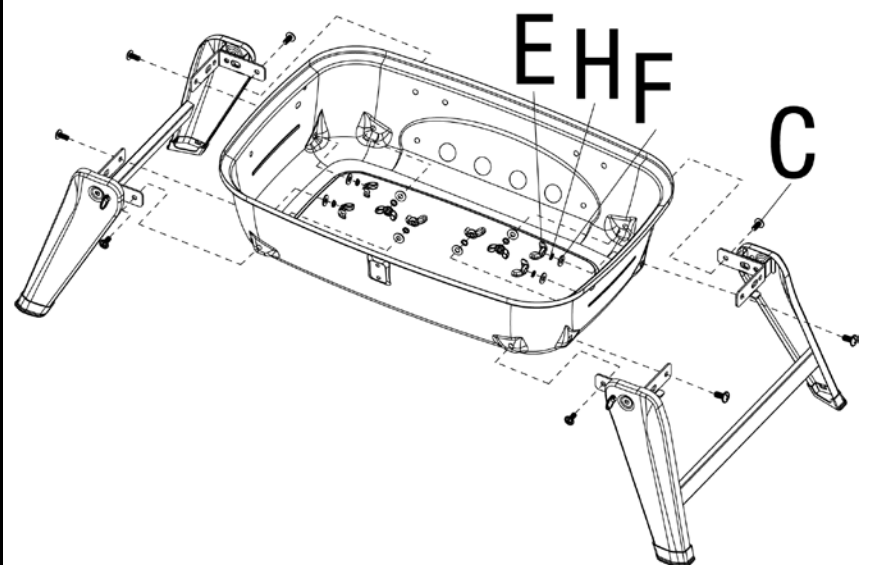
Para facilitar el armado:

1. Elija el lugar en el que armará este producto. Para proteger los componentes, elija una superficie lisa, sin fisuras ni hendiduras.
2. Presente todas las piezas.
3. Ajuste todas las conexiones de los elementos de ferretería, primero en forma manual. Luego, después de completar cada paso, ajústelos por completo. Tenga cuidado de no ajustar demasiado. Se podrían dañar las superficies o forzar las roscas.
4. Para obtener mejores resultados, siga todos los pasos en el orden indicado.

Para terminar el armado de la unidad necesitará:

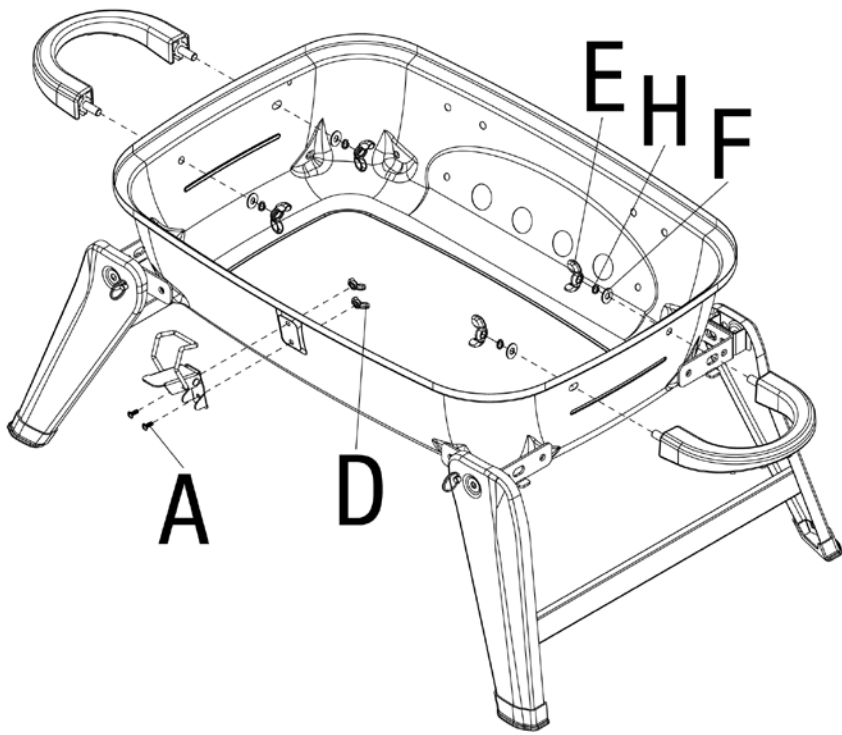
- una (1) bolsa de carbón de leña o carbón vegetal (no incluidas)


Tiempo de armado estimado: 30 minutos

2
Acople la placa de la marca y la manija a la tapa

3
Acople las bisagras superiores y el regulador de aire

4
Acople las patas


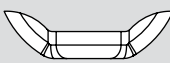
5

Acople las manijas laterales y el seguro a la carcasa



A  x2

F  x4

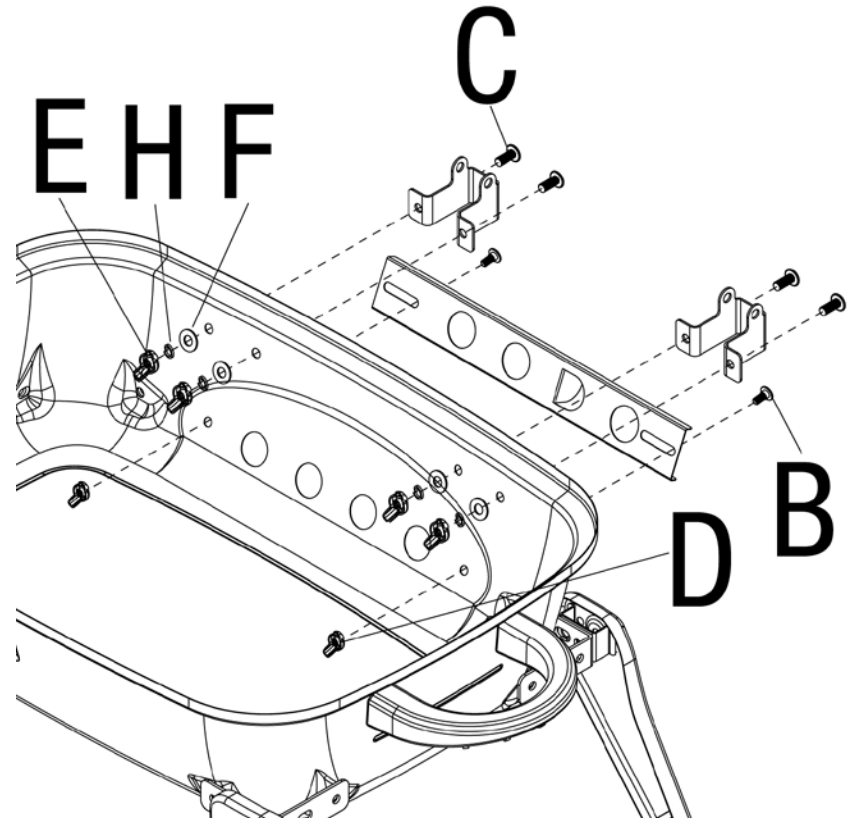
D  x2

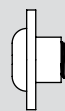
H  x4

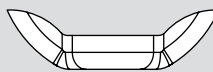
E  x4

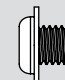
6

Acople las bisagras inferiores y el regulador de aire a la carcasa



B  x2

E  x4

C  x4

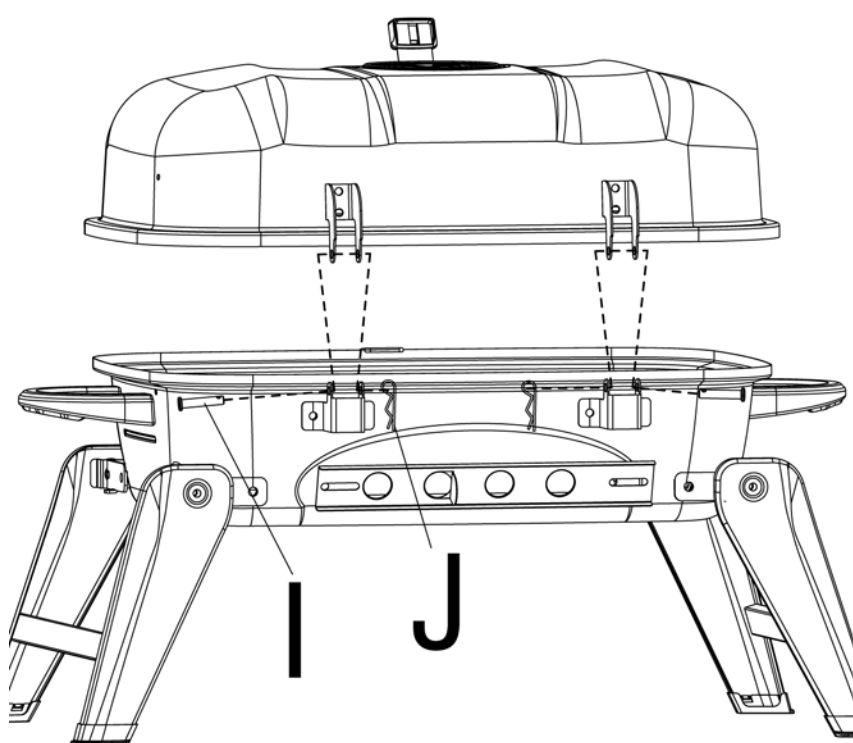
F  x4

D  x2

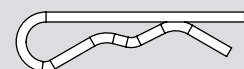
H  x4

7

Acople la tapa

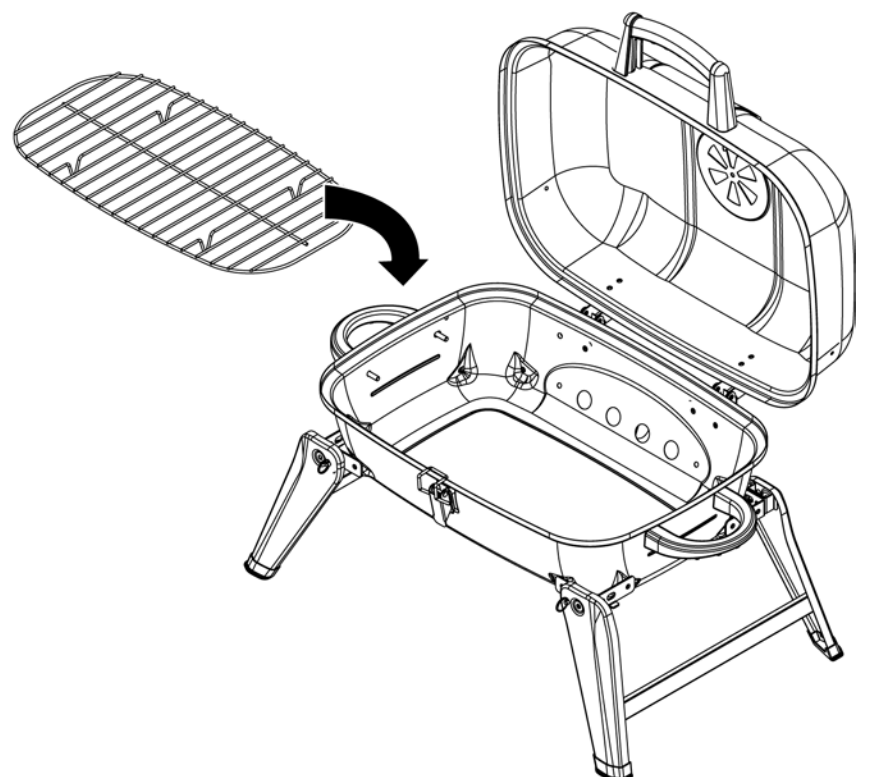


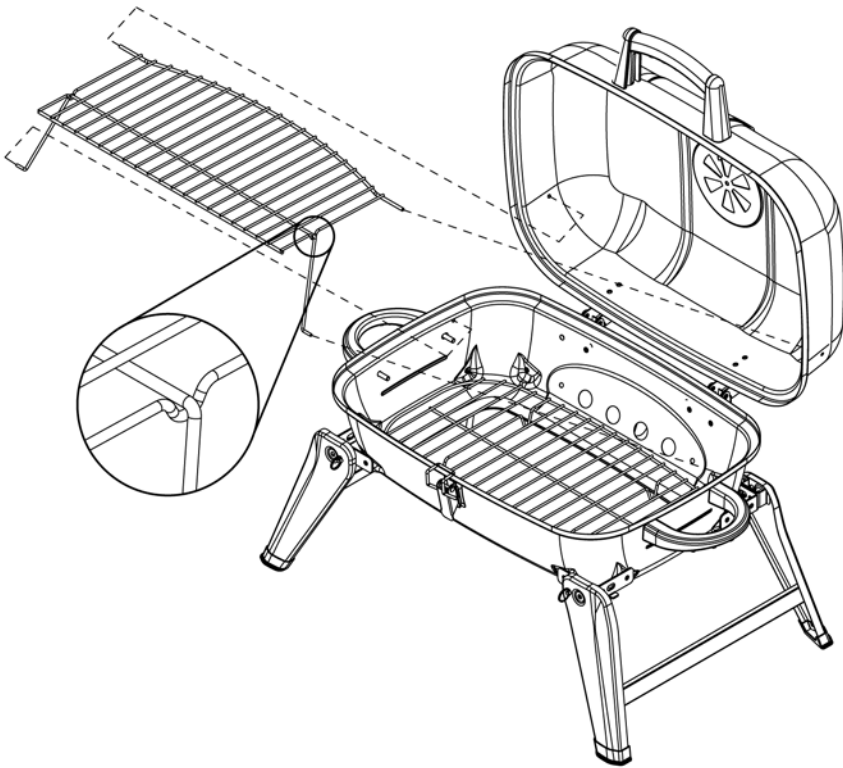
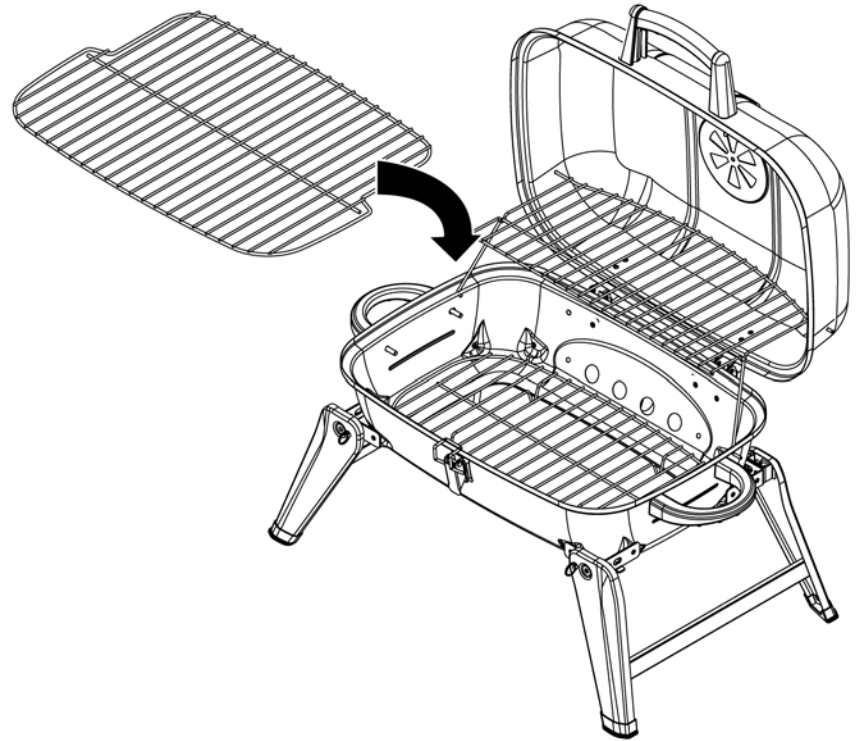
I  x2

J  x2

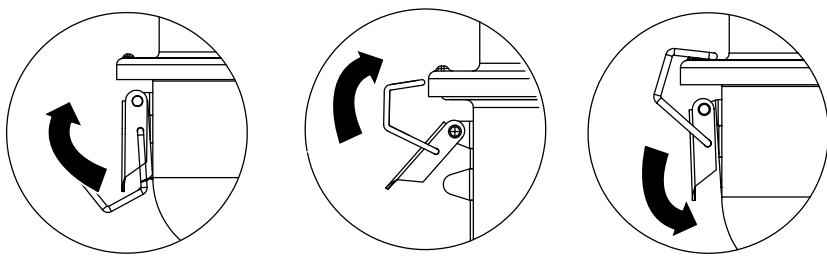
8

Coloque la rejilla para el carbón

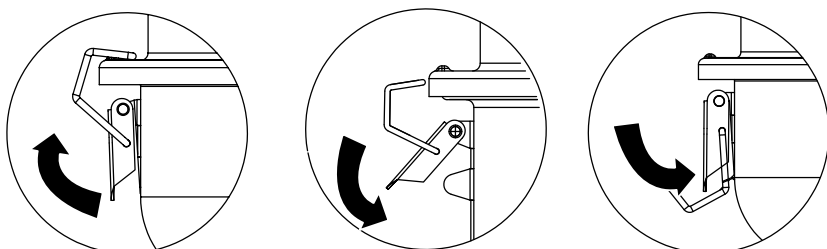


Instrucciones de armado (continuación)
9
Coloque la rejilla de calentamiento

10
Coloque la rejilla de cocción

11
Para cerrar la tapa con el seguro

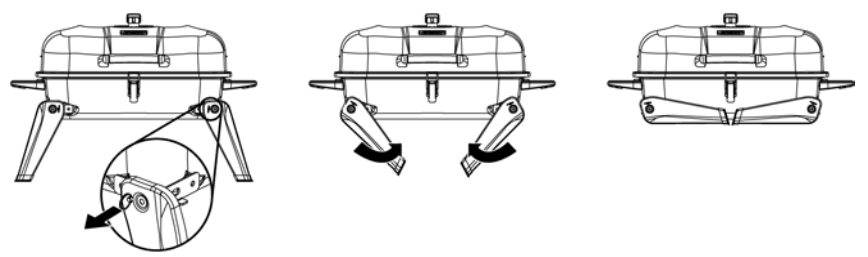
Nota: Antes de transportar la parrilla, la tapa debe cerrarse con el seguro.


Para abrir el seguro de la tapa

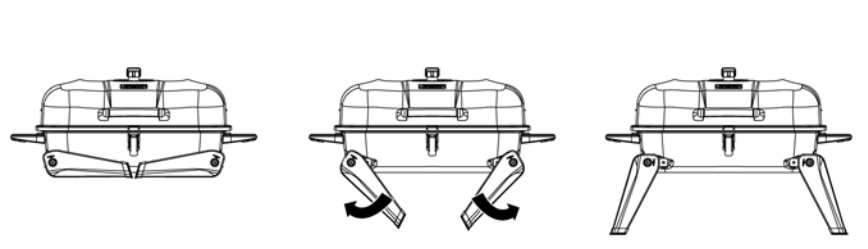
Nota: Siempre abra el seguro y levante la tapa antes de encender la parrilla.


12
Para plegar las patas

Nota: Siempre cierre la tapa con el seguro antes de plegar las patas.


Para desplegar las patas

Nota: Siempre abra las patas completamente y fíjelas en su lugar antes de encender la parrilla.



Instrucciones de operación

- ▲ **PRECAUCIÓN:** Nunca use carbón previamente tratado con líquido para encenderlo. Use solo carbón corriente de alta calidad, mezcla de carbón y madera, carbón en trozos o madera para cocinar.

Uso por primera vez

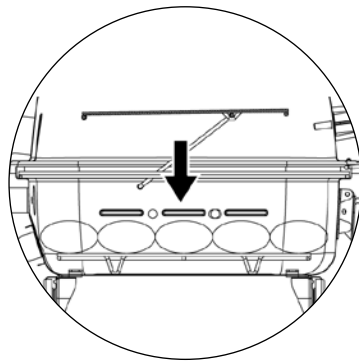
1. Verifique que todos los empaques, etiquetas y envolturas de protección han sido removidos de la parrilla.
2. Retire todo aceite de fabricación que encuentre en la unidad antes de usar la parrilla por primera vez, encendiendo la parrilla por lo menos por 15 minutos con la tapa cerrada. Esto realizará una "limpieza por calor" en las piezas internas de la unidad y hará que los olores se disipen.

Encendido

- ▲ **PRECAUCIÓN:** Mantenga el rededor de la unidad de cocción al aire libre limpio y libre de materiales combustibles, gasolina, y otros líquidos y vapores inflamables.
- ▲ **PRECAUCIÓN:** Verifique que las aberturas de ventilación están libres de residuos y ceniza antes de usar la parrilla.
- ▲ **PRECAUCIÓN:** No trate de encender la parrilla con la tapa cerrada ya que puede causar una explosión.
- ▲ **PRECAUCIÓN:** Cuando use un líquido para encender el fuego verifique siempre, antes de encender el fuego, que el líquido no se ha acumulado en el carcasa, lo cual puede provocar un incendio.
- ▲ **PRECAUCIÓN:** Nunca aplique líquido para encender el fuego sobre briquetas tibias o calientes pues esto puede ocasionar una llamarada al envase del líquido y causar lesiones personales graves o daños a la propiedad.
- ▲ **PRECAUCIÓN:** Siempre abra las patas completamente y fijelas en su lugar antes de abrir la tapa o encender la parrilla.

1. Abra la tapa y los reguladores de aire.
2. Verifique que la carcasa está vacía.
3. Saque la rejilla de cocción.
4. Disponga las briquetas de carbón de leña o la materia combustible en la rejilla para carbón hasta la línea "Fill Line" (línea de llenado). Vea la Figura 1.
5. Encienda la materia combustible de acuerdo con las instrucciones del embalaje.
6. Deje que la materia combustible se torne en carbones encendidos antes de comenzar a cocinar.

Figura 1



Apagado

1. Deje que el fuego y los carbones se extingan por si mismo.
- ▲ **ADVERTENCIA:** NO use agua para extinguir el fuego pues esta práctica es peligrosa, puede dañar el producto y causar daños materiales.
2. Deseche la ceniza en un lugar apropiado.

Control de las llamaradas

- ▲ **PRECAUCIÓN:** No use agua en una llamarada de grasa. Esto puede ocasionar el salpique de la grasa y causar serias quemaduras, lesiones personales y otros daños.
- ▲ **PRECAUCIÓN:** No deje la parrilla desatendida cuando esté calentando o quemando residuos de comida. Si la grasa no se ha limpiado en forma regular, se puede ocasionar una llamarada de grasa que dañe la parrilla.
- ▲ **ADVERTENCIA:** Cuando esté usando la parrilla, debe tener fácilmente a su alcance materiales para extinguir el fuego. En caso de una llamarada de aceite o de grasa, no trate de extinguirla con agua. Use un extinguidor de incendio de sustancias químicas secas, tipo BC, o asfixie el fuego con tierra, arena o soda de hornear. NO intente extinguir con agua.

La llamarada es parte de la cocción de carne en una parrilla y le da al asado un sabor único.

La generación excesiva de llamaradas puede recocinar su comida y resultar peligroso.

Importante: Las llamaradas excesivas resultan de la acumulación de grasa en el fondo de la parrilla.

Si se presenta una llamarada de grasa, cierre la tapa de la parrilla hasta que toda la grasa se haya quemado. Cuando abra la tapa, tenga cuidado, pues repentinamente puede presentarse otra llamarada.

Si ocurren llamaradas excesivas, NO arroje agua sobre las llamas.

Haga mínimas las llamaradas:

1. Retire el exceso de grasa de la carne antes de cocerla.
2. Cuando cueza carnes de alto contenido de grasa, parrilla a fuego indirecto.
3. Verifique que la parrilla ha quedado colocada sobre una superficie no combustible, nivelada y firme.

Limpieza y cuidado

- ▲ **PRECAUCIÓN:**
 1. Todas las operaciones de limpieza y mantenimiento deben realizarse con la parrilla fría y sin la materia combustible.
 2. NO limpie ninguna pieza de esta parrilla en un horno de limpieza automática. El calor extremo dañará el terminado.

Avisos

1. Esta parrilla debe limpiarse y verificarse completamente de manera regular.
2. No use productos de limpieza abrasivos pues dañarán este aparato.
3. No utilice nunca productos limpiahornos para limpiar cualquier pieza de la parrilla.

Antes de cada uso:

1. Mantenga la zona de la parrilla limpia y libre de materiales combustibles, gasolina y cualquier otro vapor o líquido inflamable.
2. Consulte las siguientes secciones para obtener instrucciones sobre cómo realizar una limpieza correcta.

Limpieza de las superficies

1. Espere hasta que la parrilla esté totalmente fría.
2. Limpie las superficies con un detergente suave de lavado de platos o con soda de hornear mezclado con agua.
3. En superficies de limpieza difícil, use un desengrasador a base de cítricos y un cepillo de nilón.
4. Enjuague las superficies con agua limpia.
5. Deje las superficies secar al aire libre.

Antes de almacenar

1. Espere hasta que la parrilla esté totalmente fría.
2. Limpie todas las superficies.
3. Si guarda la parrilla en el interior, cúbrala con una cubierta para parrilla y colóquela en un lugar fresco y seco.
4. Si guarda la parrilla al aire libre, cúbrala con una cubierta para parrilla con el fin de protegerla contra la intemperie.

Registro del producto

Para beneficiar del servicio de garantía más rápidamente, sírvase registrar su unidad inmediatamente visitando nuestro sitio Internet BlueRhino.com/warranty o llamando al 1.800.762.1142.

Piezas de repuesto

Puede encontrar piezas de repuesto en parts.BlueRhino.com o llame al 1.800.762.1142.



Garantía limitada

Blue Rhino Sourcing, Inc. ("Blue Rhino") garantiza al comprador original al detal de este producto, y a ninguna otra persona, que si la unidad se arma y opera de acuerdo con las instrucciones impresas que la acompañan y por un período de un (1) año a partir de la fecha de compra, todas las piezas de este producto estarán libres de defectos en material y mano de obra. Blue Rhino podrá requerir prueba razonable de la fecha de compra. Por lo tanto, usted debe conservar el recibo de venta o la factura. Esta garantía limitada estará limitada a la reparación o reemplazo de las piezas que resulten defectuosas en condiciones de servicio y uso normal y las que un examen indique, a satisfacción de Blue Rhino, que están defectuosas. Antes de devolver cualquier pieza, comuníquese con el Departamento de Servicio al Cliente de Blue Rhino. Si Blue Rhino confirma el defecto y aprueba el reclamo, Blue Rhino decidirá reemplazar tales partes sin costo alguno. Si se le pide que devuelva las partes defectuosas, los costos de transporte deberán ser prepagados. Blue Rhino devolverá las partes al cliente con costo de transporte o envío prepagados.

Esta garantía limitada no cubre fallas o dificultades de operación debidas a accidente, abuso, mal uso, alteración, empleo en usos inapropiados, instalación defectuosa o mantenimiento o servicio inapropiado o falla en la realización de mantenimiento normal y rutinario como se prescribe en este manual del usuario. Además, la garantía limitada no cubre daños al terminado de la unidad, tales como rasguños, abolladuras, descoloridos, oxidaciones y otros daños causados por la intemperie después de la compra de la unidad.

Esta garantía limitada reemplaza cualquier otra garantía. Blue Rhino no asume ninguna responsabilidad por garantías de productos vendidos por quienes no sean distribuidores o vendedores al detal autorizados. Esta exención de responsabilidad incluye cualquier garantía de comerciabilidad o la garantía de aptitud para un propósito en particular. BLUE RHINO NO SE HACE RESPONSABLE POR NINGUNA GARANTÍA IMPLÍCITA INCLUYENDO, SIN LIMITACIONES, LAS GARANTÍAS IMPLÍCITAS DE COMERCIABILIDAD Y ADAPTABILIDAD A UN PROPOSITO PARTICULAR. BLUE RHINO NO ASUME RESPONSABILIDAD ANTE EL COMPRADOR O ANTE CUALQUIER TERCERA PERSONA POR DAÑOS ESPECIALES, INDIRECTOS, PUNITIVOS, INCIDENTALES O CONSEQUENCIALES. Blue Rhino, además, no asume responsabilidad por garantías implícitas o expresas por defectos de mano de obra causados por terceras personas.

Esta garantía limitada le da al comprador derechos legales específicos y el comprador puede tener otros derechos según el lugar donde el comprador o la compradora residan. Ciertas jurisdicciones no permiten limitaciones en cuanto a la duración de una garantía implícita, de manera que esta limitación puede no ser aplicable a usted.

Blue Rhino no autoriza a ninguna persona o compañía para asumir por Blue Rhino cualquier otra obligación o responsabilidad relacionada con la venta, instalación, uso, remoción, devolución o reemplazo de este equipo y cualquier representación de esta naturaleza no obliga a Blue Rhino.

Blue Rhino Sourcing, Inc.
Winston-Salem, North Carolina 27105, EE.UU.
(800)-762-1142