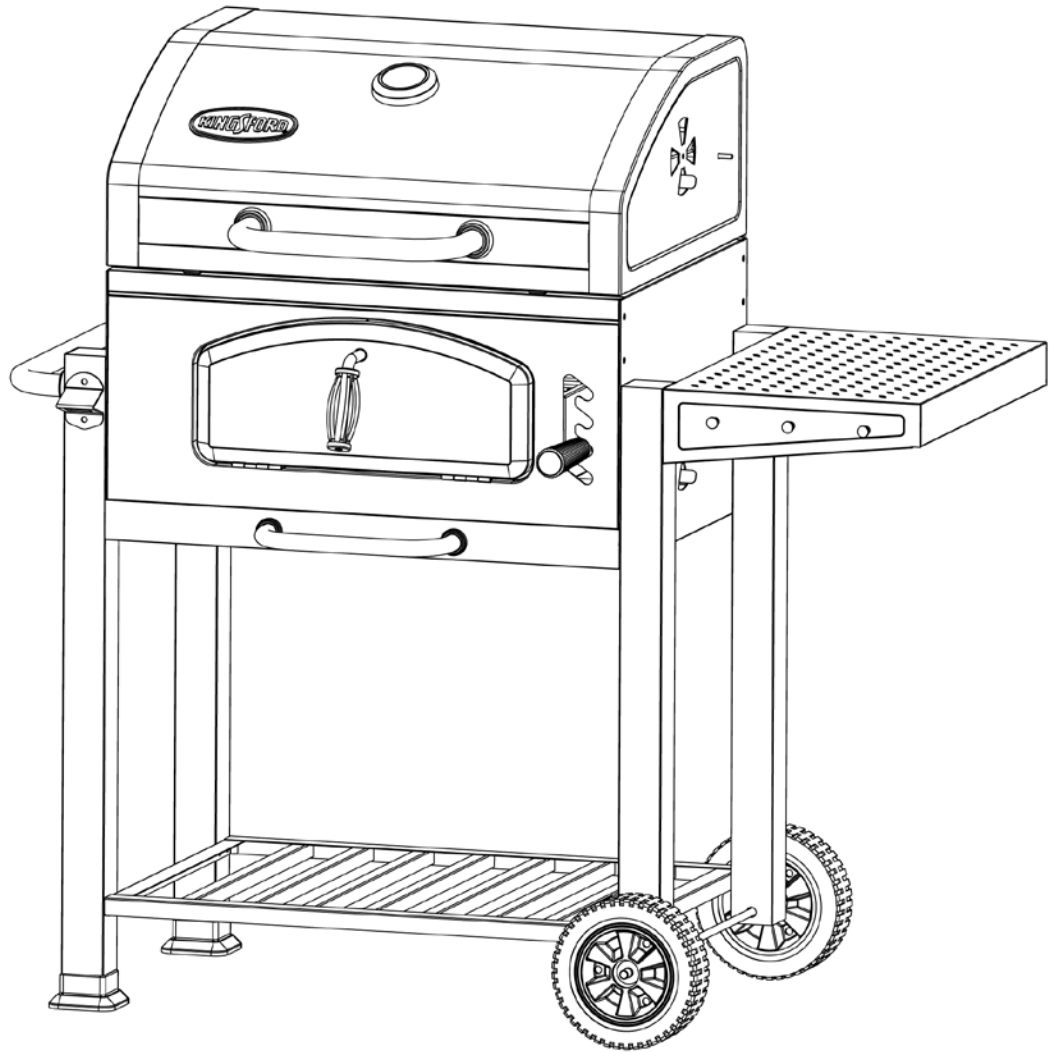





OWNER'S MANUAL

Outdoor Charcoal Barbecue Grill


Model No. CBC1652WB-C



 **WARNING**
FOR YOUR SAFETY:
For Outdoor Use Only
 (outside any enclosure)

 **WARNING**
FOR YOUR SAFETY:

1. Improper installation, adjustment, alteration, service or maintenance can cause injury or property damage.
2. Read the installation, operation, and maintenance instructions thoroughly before installing or servicing this equipment.
3. Failure to follow these instructions could result in fire or explosion, which could cause property damage, personal injury, or death.
4. This instruction manual contains Important information necessary for the proper assembly and safe use of the appliance.
5. Read and follow all warnings and instructions before assembling and using the appliance.
6. Follow all warnings and instructions when using the appliance.
7. Keep this manual for future reference.

 **WARNING**
FOR YOUR SAFETY:

1. Do NOT store or use gasoline or other flammable liquids or vapors in the vicinity of this or any other appliance.
2. When cooking with oil/grease, do NOT allow the oil/grease to exceed 350°F (176.5°C). Do NOT store or use extra cooking oil in the vicinity of this or any other appliance.

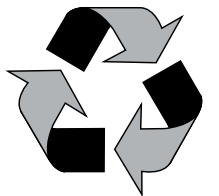
 **DANGER**
Never operate this appliance unattended.

Table of Contents

Important Safeguards	Page 2
Expanded View & Hardware	3
Assembly Instructions	4
Operating Instructions	8
Cleaning and Care	9
Product Registration	9
Replacement Parts	9
Limited Warranty	9

THIS INSTRUCTION BOOKLET CONTAINS IMPORTANT SAFETY INFORMATION. PLEASE READ AND KEEP FOR FUTURE REFERENCE.

If you are assembling this unit for someone else, give this manual to them to read and save for future reference.



Made from 75% Bagasse
(environmentally friendly sugar
cane pulp by-product)

Manufactured in China for: Blue Rhino Global Sourcing, Inc.
Winston-Salem, NC 27105 USA • 1.800.762.1142 • BlueRhino.com
© Blue Rhino Global Sourcing, Inc.

Kingsford® and the Kingsford logo are registered trademarks of the Kingsford Products Company, LLC and are used under license by Blue Rhino Global Sourcing, Inc. All rights reserved.



Important Safeguards

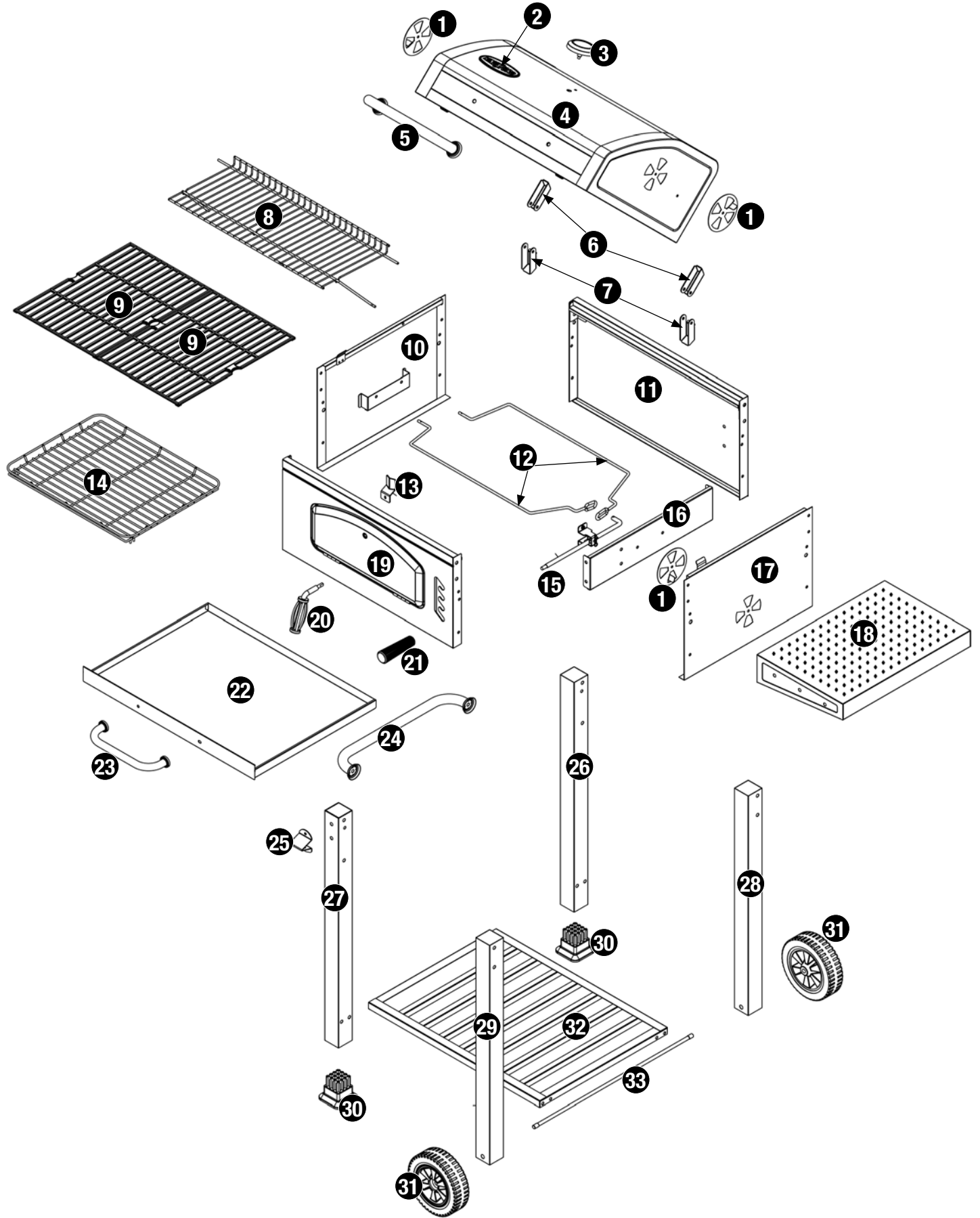
- ▲ **DANGER:** Failure to follow the dangers, warnings and cautions in this manual may result in serious bodily injury or death, or in a fire or an explosion causing damage to property.
-
- WARNINGS:**
- ▲ This grill is for outdoor use only, and should NOT be used in a building, garage or any other enclosed area.
 - ▲ Do NOT operate, light or use this appliance within ten feet (3.05 m) of walls, structures or buildings.
 - ▲ For residential use only. This grill is NOT for commercial use.
 - ▲ Never use charcoal that has been pre-treated with lighter fluid. Use only a high grade plain charcoal, charcoal/wood mixture, lump charcoal or cooking wood. The conversion to or attempted use of any other fuel source in this charcoal grill is dangerous and will void your warranty.
 - ▲ This grill is NOT intended for and should never be used as a heater. TOXIC fumes can accumulate and cause asphyxiation.
 - ▲ Do NOT use grill for indoor cooking. TOXIC carbon monoxide fumes can accumulate and cause asphyxiation.
 - ▲ This grill is safety certified for use in the United States and/or Canada only. Do NOT modify for use in any other location. Modification will result in a safety hazard and will void your warranty.
 - ▲ Apartment dwellers: Check with management to learn the requirements and fire codes for using a charcoal grill in your apartment complex. If allowed, use outside on the ground floor with a ten foot (3.05 m) clearance from any structure. Do NOT use on or under balconies.
 - ▲ Minimum clearance from sides and back of unit to combustible construction is 36 inches (91.4 cm). Do NOT use this appliance under any type of overhang or roof.
 - ▲ Do NOT use gasoline, kerosene or alcohol for lighting.
 - ▲ Do NOT use in an explosive atmosphere. Keep grill area clear and free from combustible materials, gasoline and other flammable vapors and liquids.
 - ▲ Do NOT store or use gasoline or other flammable liquids or vapors within 25 feet (7.62 m) of this appliance.
 - ▲ Do NOT block holes in sides or back of grill.
 - ▲ Inspect grill before each use.
 - ▲ Do NOT alter grill in any manner. Any alteration will void your warranty.
 - ▲ Do NOT build this model of grill in any built-in or slide-in construction. Ignoring this warning could cause a fire or an explosion that can damage property and cause serious bodily injury or death.
 - ▲ Do NOT use the grill unless it is COMPLETELY assembled and all parts are securely fastened and tightened.
 - ▲ This grill should be thoroughly cleaned and inspected on a regular basis.
 - ▲ Use only Blue Rhino Global Sourcing, Inc. factory-authorized parts. The use of any part that is not factory-authorized can be dangerous and will void your warranty.
 - ▲ Do NOT operate this appliance without reading "Operating Instructions" in this manual.
 - ▲ To avoid burns, do NOT touch metal parts of grill until they have completely cooled, unless you are wearing protective gear (pot holders, gloves, BBQ mittens, etc.).
 - ▲ Never touch grates (charcoal, cooking or warming), ashes or coals to see if they are hot.
 - ▲ Do NOT use on wooden decks, wooden furniture or other combustible surfaces.
 - ▲ This grill is NOT to be used in or on boats or recreational vehicles.
 - ▲ Position grill so wind cannot carry ashes to combustible surfaces.
 - ▲ Do NOT use in high winds.
 - ▲ Never lean over the grill when lighting.
 - ▲ Do NOT leave a lit grill unattended. Keep children and pets away from grill at all times.
 - ▲ Do NOT attempt to move grill when in use. Allow the grill to cool before moving or storing.
 - ▲ Do NOT leave grill unattended while preheating or burning off food residue.
 - ▲ When cooking, fire extinguishing materials should be readily accessible. In the event of an oil/grease fire, do NOT attempt to extinguish with water. Use type BC dry chemical fire extinguisher or smother with dirt, sand or baking soda.
 - ▲ Always open grill lid carefully and slowly as heat and steam trapped within grill can severely burn you.
 - ▲ If grill has not been cleaned, a grease fire can occur that may damage the product.
 - ▲ Do NOT place empty cooking vessels on the appliance while in operation.
 - ▲ Use caution when placing anything on the grill while the appliance is in operation.
 - ▲ Never add lighting fluid to hot or warm coals as a flashback may occur causing serious injury or damage to property.
 - ▲ Always place your grill on a hard, non-combustible level surface. An asphalt or blacktop surface may not be acceptable for this purpose.
 - ▲ Do NOT remove the ashes until they are completely and fully extinguished.
 - ▲ Live hot briquettes and coals can create a fire hazard.
 - ▲ Always empty the bottom bowl and grill after each use.
 - ▲ Do NOT place fuel (charcoal briquettes, wood or lump charcoal) directly into bottom of grill. Place fuel only on the charcoal pan/grid.
 - ▲ Do NOT allow charcoal to rest on the walls of grill. Doing so will greatly reduce the life of the metal and finish of your grill.
 - ▲ Check to make sure the air vents are free of debris and ash before using the grill.
 - ▲ Extinguished coals and ashes should be placed a safe distance from all structures and combustible materials.
 - ▲ With a garden hose, completely wet the surface beneath and around grill to extinguish any ashes, coals or embers that may have fallen during the cooking or cleaning process.
 - ▲ The use of alcohol, prescription or non-prescription drugs may impair the consumer's ability to properly assemble and/or safely operate this grill.
 - ▲ Always wear protective gloves when adding fuel (charcoal briquettes, wood or lump charcoal) to retain desired heat level.
 - ▲ Keep all electrical cords away from a hot grill.
 - ▲ Always use a meat thermometer to ensure food is cooked to a safe temperature.
 - ▲ Never cover entire cooking area with aluminum foil.
 - ▲ Use protective gloves when assembling this product.
 - ▲ Do NOT force parts together as this can result in personal injury or damage to the product.
 - ▲ Do NOT touch ash receiver or ash receiver handle until grill has completely cooled, unless you are wearing protective gear.
 - ▲ Do NOT touch air vent or air vent handle until grill has completely cooled, unless you are wearing protective gear.
 - ▲ Death, serious injury or damage to property may occur if the above is not followed exactly.

Parts List

1	Air Vent (3)	55-24-120
2	Brand Plate*	55-10-586
3	Temperature Gauge	55-24-461
4	Lid	55-25-040
5	Lid Handle	55-25-041
6	Top Hinge (2)	55-24-196
7	Bottom Hinge (2)	55-24-197
8	Warming Rack	55-25-042
9	Cooking Grid (2)	55-25-043
10	Left Body Panel	55-25-044
11	Rear Body Panel	55-25-045
12	Charcoal Grid Support (2)	55-25-046
13	Charcoal Door Handle Support	55-25-047
14	Charcoal Basket	55-25-048
15	Charcoal Grid Rod	55-25-049
16	Charcoal Grid Support Panel	55-25-050
17	Right Body Panel	55-25-051
18	Right Side Shelf	55-25-052
19	Front Body Panel	55-25-053
20	Charcoal Door Handle	55-25-054
21	Charcoal Grid Support Handle	55-25-055
22	Ash Tray	55-25-056
23	Ash Tray Handle	55-25-057
24	Side Handle	55-25-058
25	Bottle Opener	55-25-059
26	Left Rear Leg	55-25-060
27	Left Front Leg	55-25-061
28	Right Rear Leg	55-25-062
29	Right Front Leg	55-25-063
30	Foot (2)	55-25-064
31	Wheel (2)	55-07-363
32	Bottom Shelf	55-25-065
33	Axle	55-25-066

* Pre-assembled

Expanded View



Hardware

A	Screw	M5x10 Nickel Plated Phillips Truss Head	5 pcs
B	Screw	M6x15 Axial Truss Head	3 pcs
C	Screw	M6x15 Nickel Plated Phillips Truss Head	38 pcs
D	Screw	M6x35 Nickel Plated Phillips Truss Head	8 pcs
E	Screw	M6x65 Nickel Plated Phillips Truss Head	2 pcs
F	Nut	M8 Nickel Plated	1 pc
G	Nut	M10 Nickel Plated	2 pcs
H	Wing Nut	M5 Nickel Plated	3 pcs
I	Washer	ø6.5x18 Nickel Plated	4 pcs
J	Washer	ø10 Nickel Plated	1 pc
K	Lock Washer	ø8.5 Nickel Plated	1 pc
L	Pin	ø6 x 45 Nickel Plated	2 pcs
M	Cotter Pin	ø1.4 x 30 Black	5 pcs

Tools Required for Assembly (Included)

#2 Phillips Head Screwdriver	1 pc
M10-M8 Wrench	2 pcs

Assembly Instructions
1
DO NOT RETURN TO PLACE OF PURCHASE.

For assistance, call **1.800.762.1142** toll-free. Please have your owner's manual and model number available for reference.

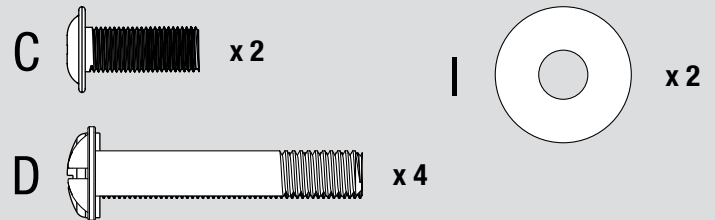
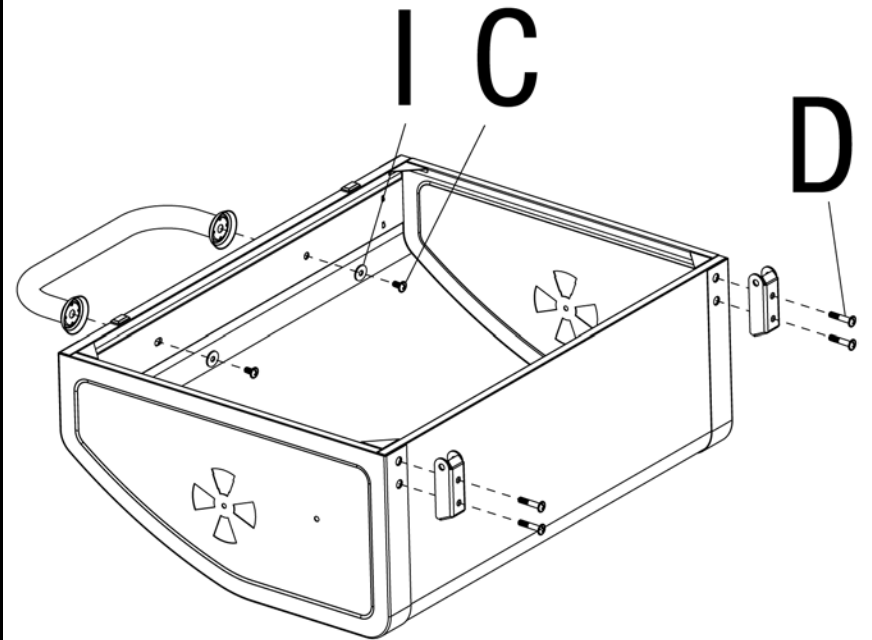
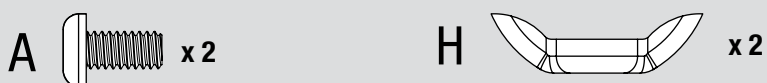
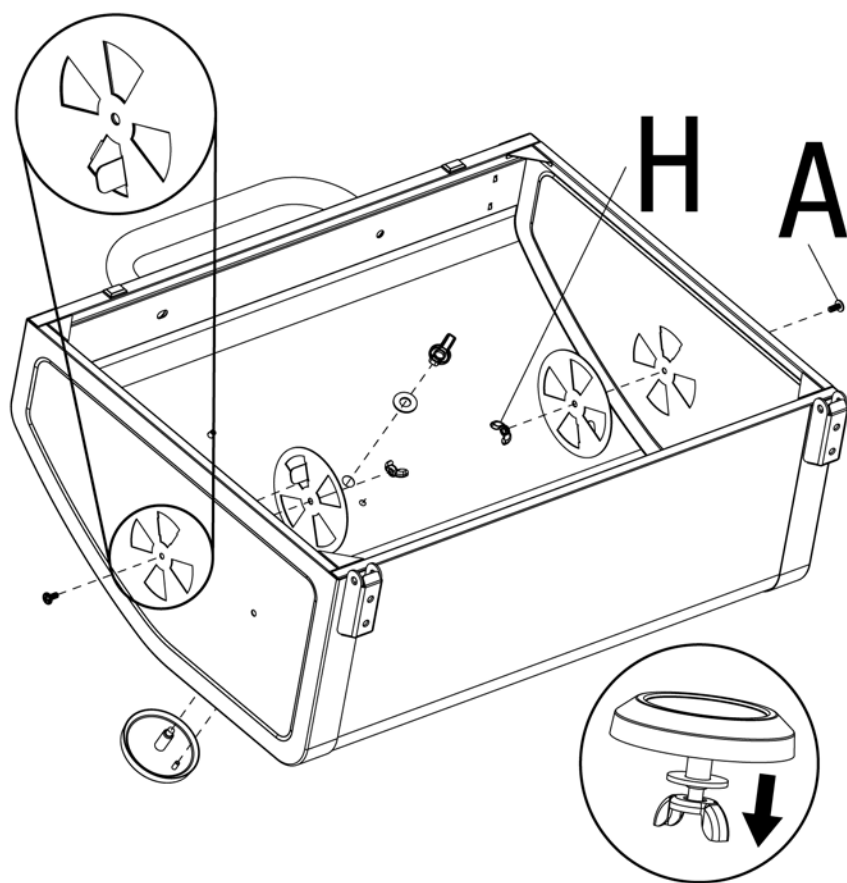
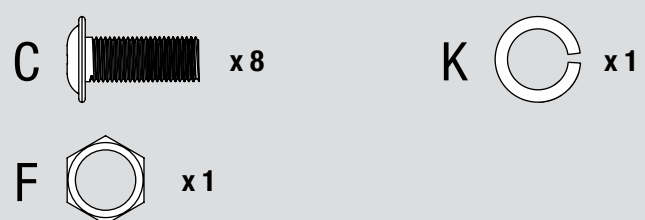
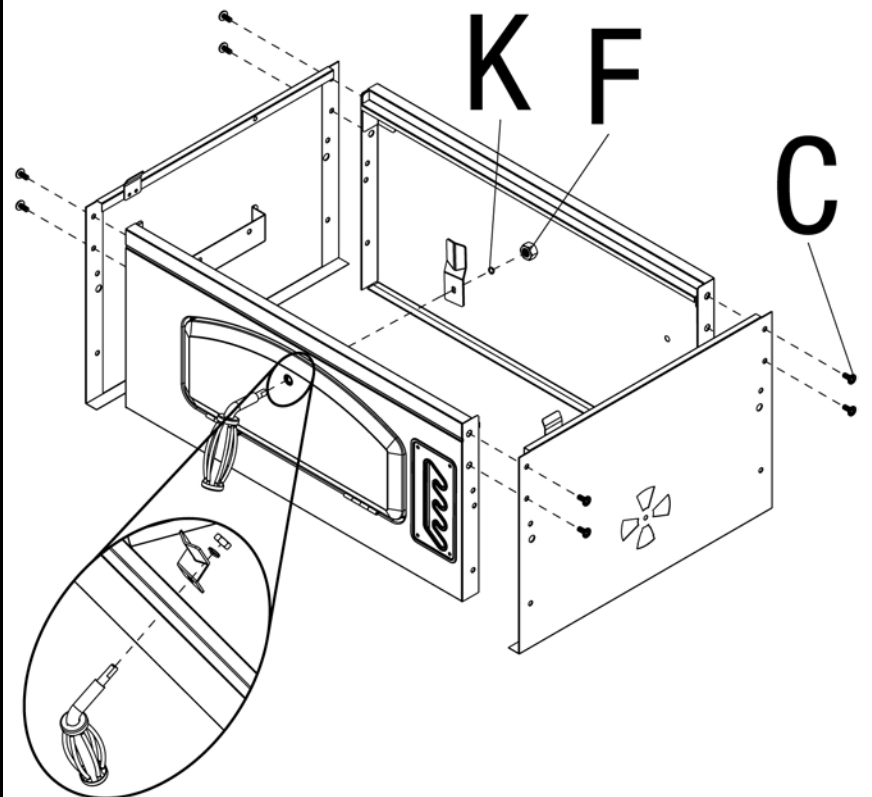
For Easiest Assembly:

1. Select an area where you will assemble this product. To protect components, choose a smooth surface that's free of cracks or openings.
2. Spread out all parts.
3. Tighten all hardware connections by hand first. Then, before completing each step, go back and fully tighten all hardware. Be careful not to overtighten. That could damage surfaces or strip threads.
4. For best results, complete each step in the order presented.

To complete assembly you will need:

- One bag of charcoal (not included)

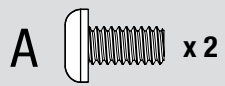
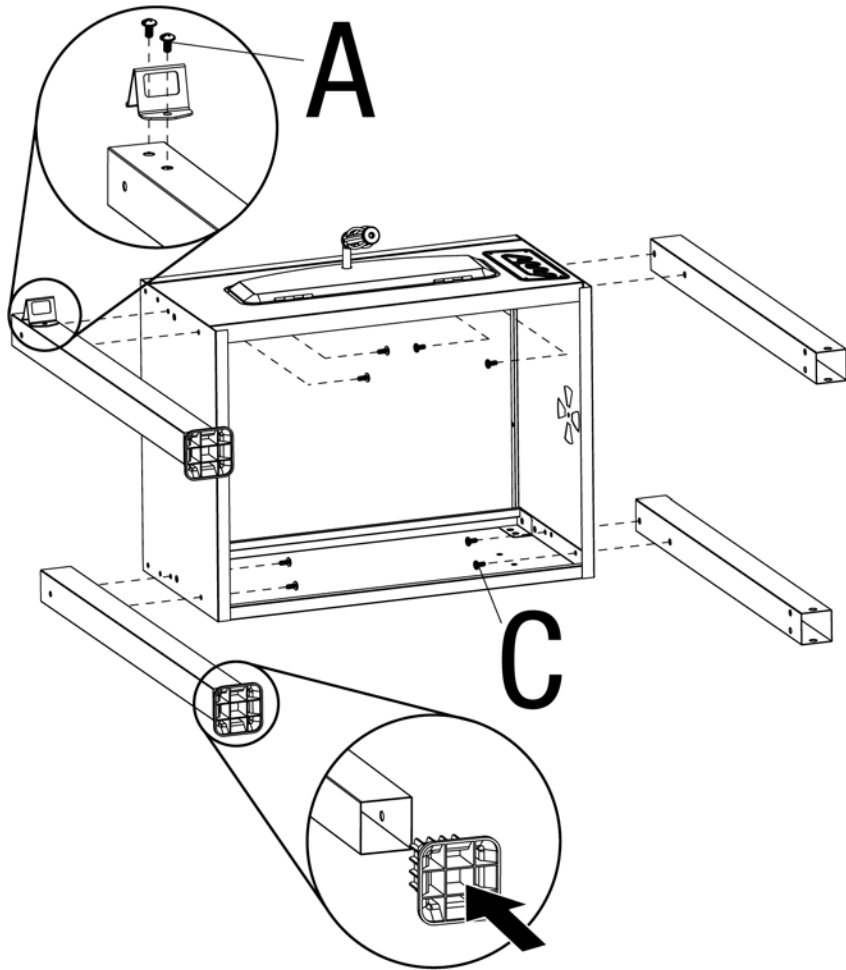
Typical assembly is approximately 45 minutes.

2
Attach Top Hinges and Lid Handle

3
Attach Temperature Gauge and (2) Air Vents

4
Assemble Grill Body, Charcoal Door Handle and Charcoal Door Handle Support


5

Attach Bottle Opener, Feet and Legs

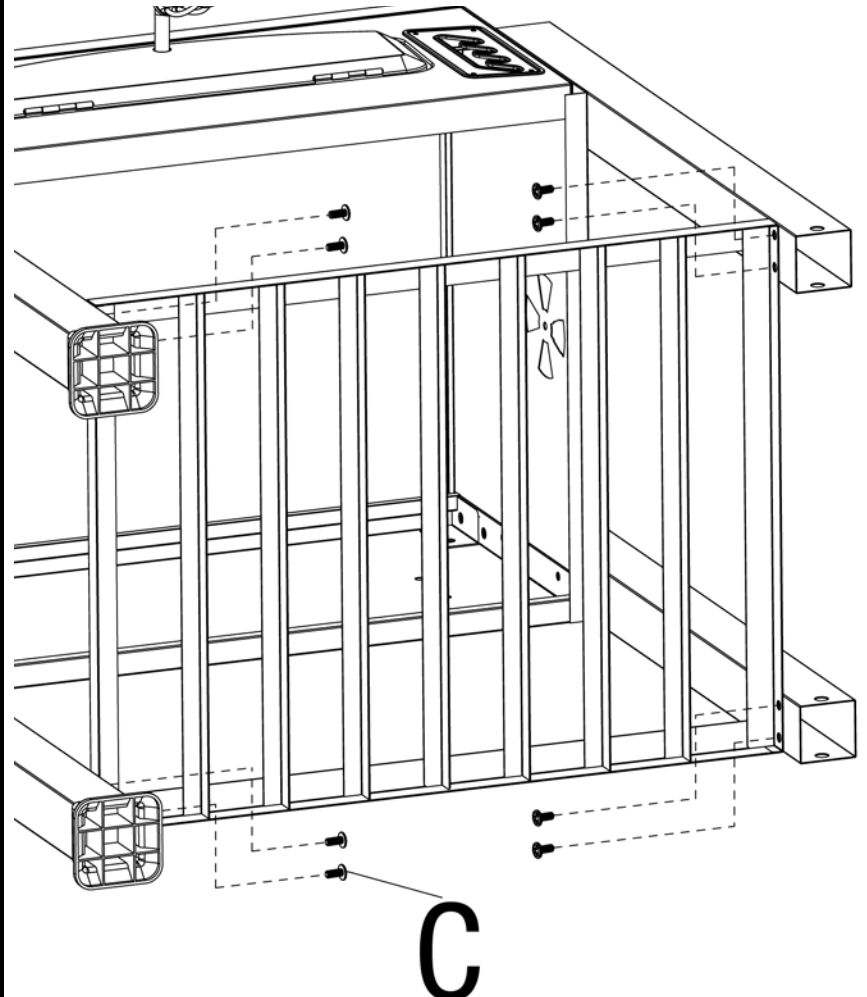
Note: Do NOT fully tighten screws.



6

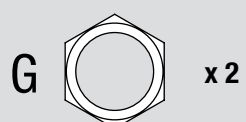
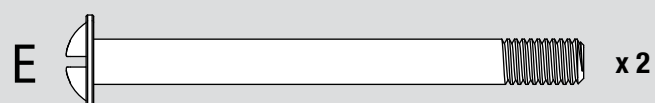
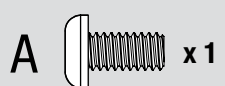
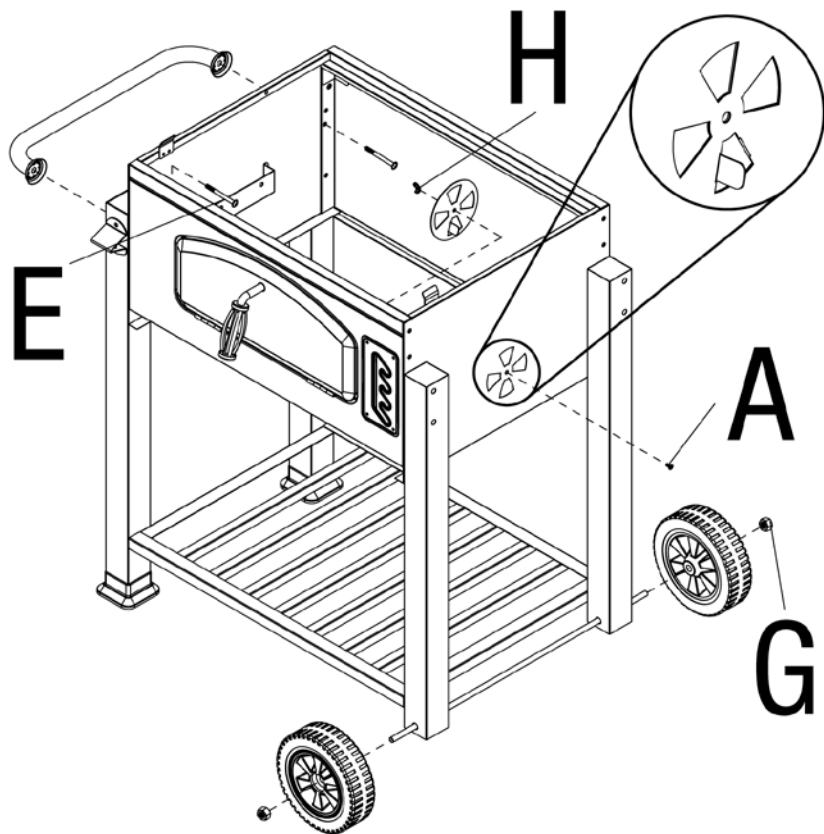
Attach Bottom Shelf

Note: Tighten screws from step 6.



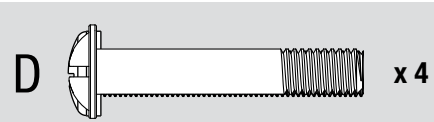
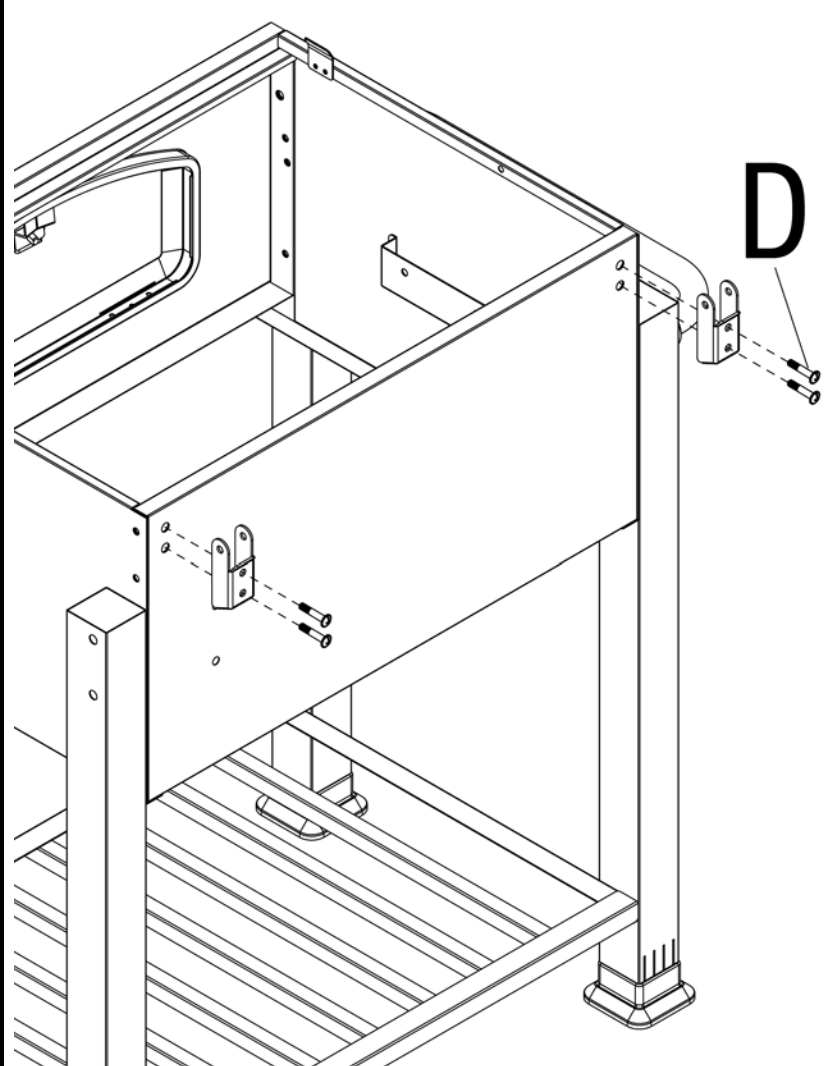
7

Attach Side Handle, Air Vent, Axle and Wheels



8

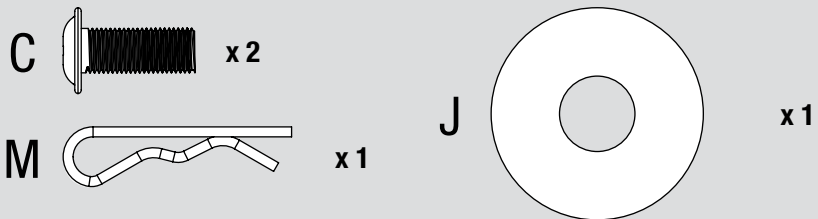
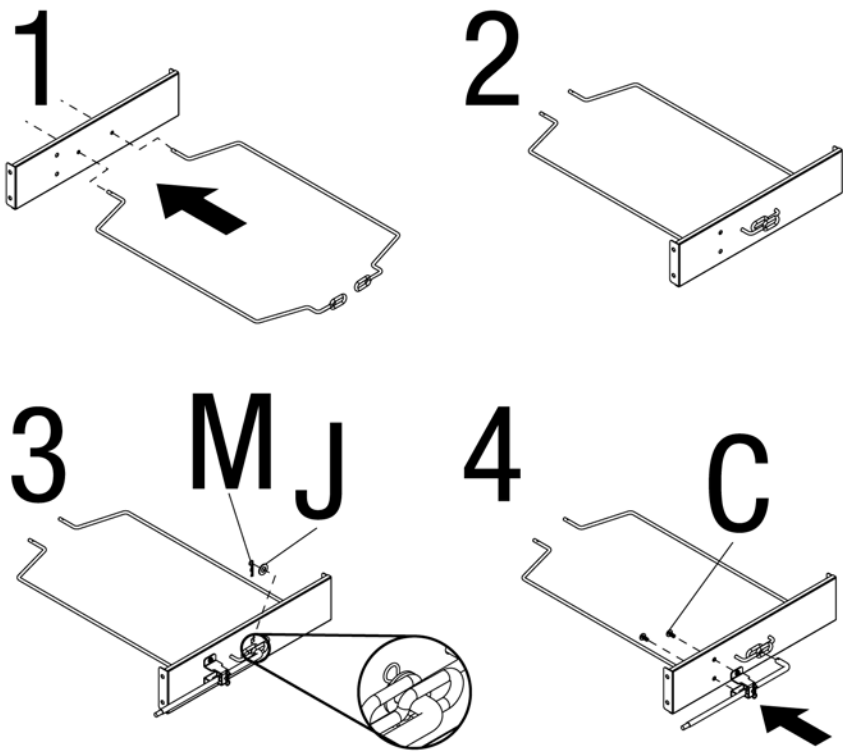
Attach Bottom Hinges



Assembly Instructions (continued)

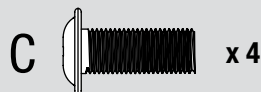
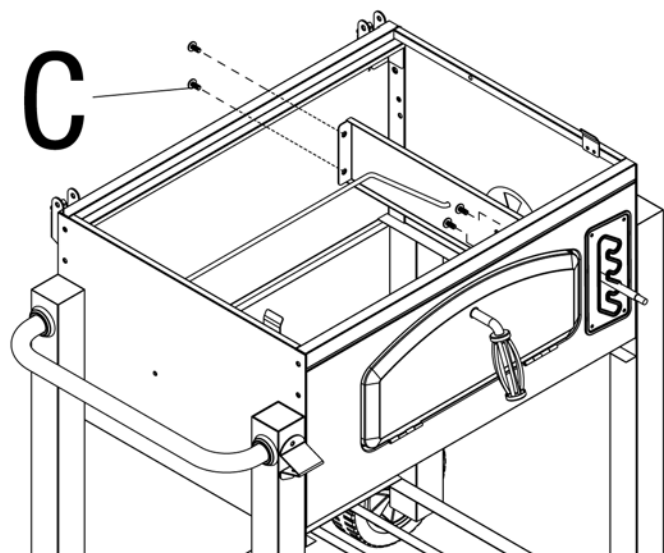
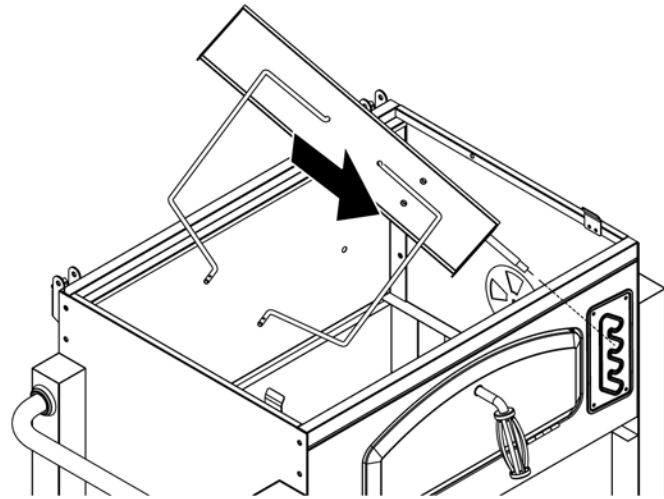
9

Attach Charcoal Grid Supports and Charcoal Grill Rod



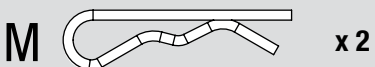
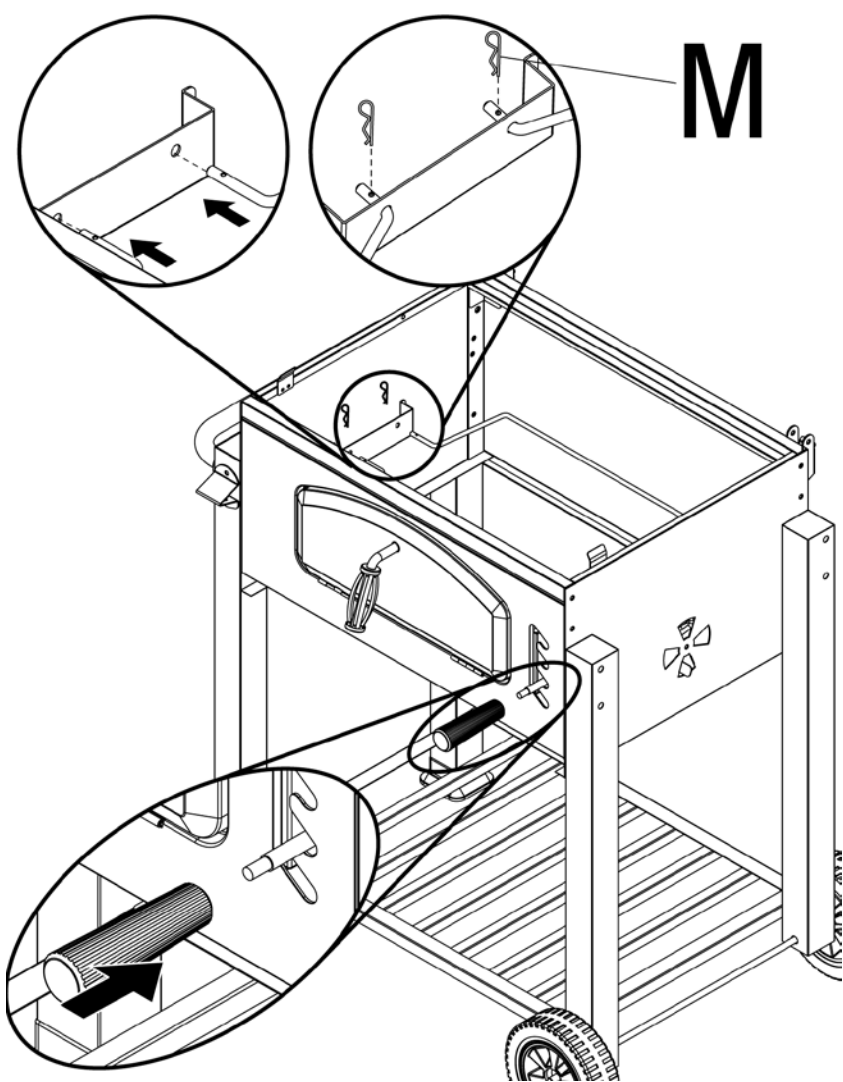
10

Insert and Secure Charcoal Grid Supports



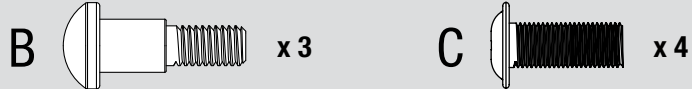
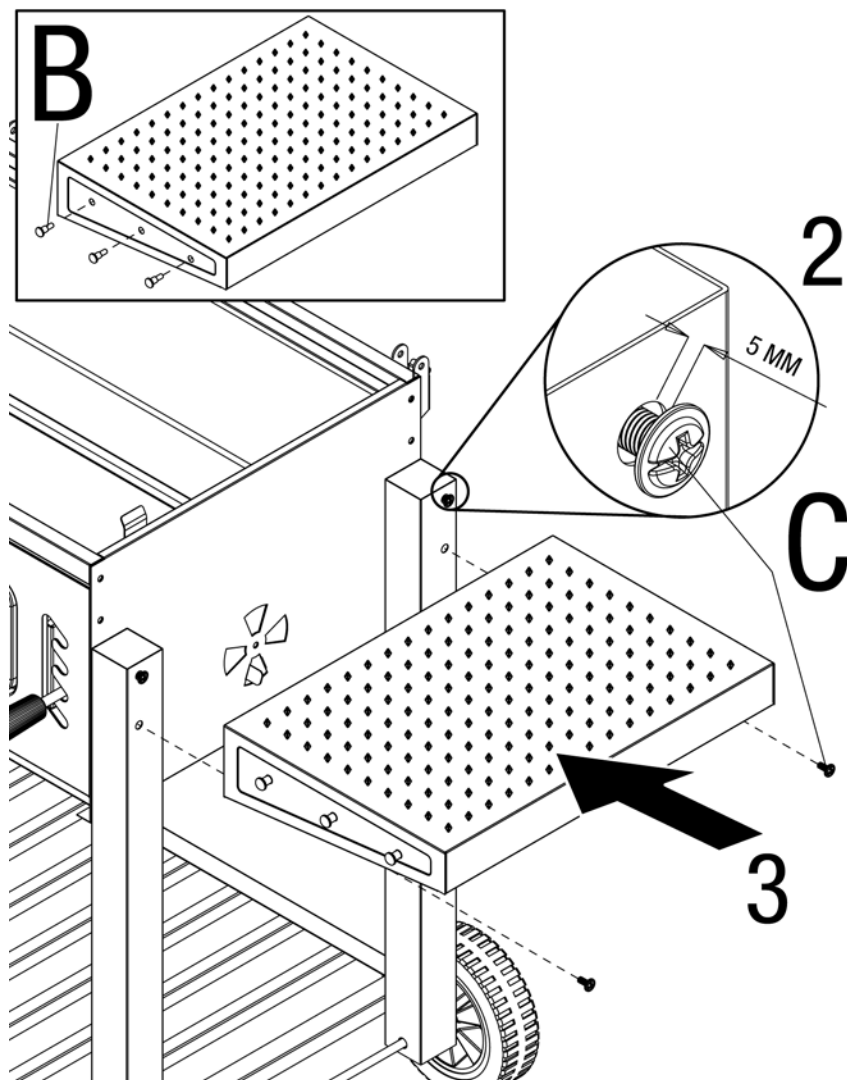
11

Attach Charcoal Grid Supports and Charcoal Grid Support Handle



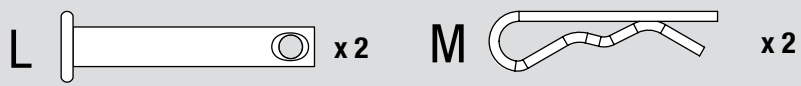
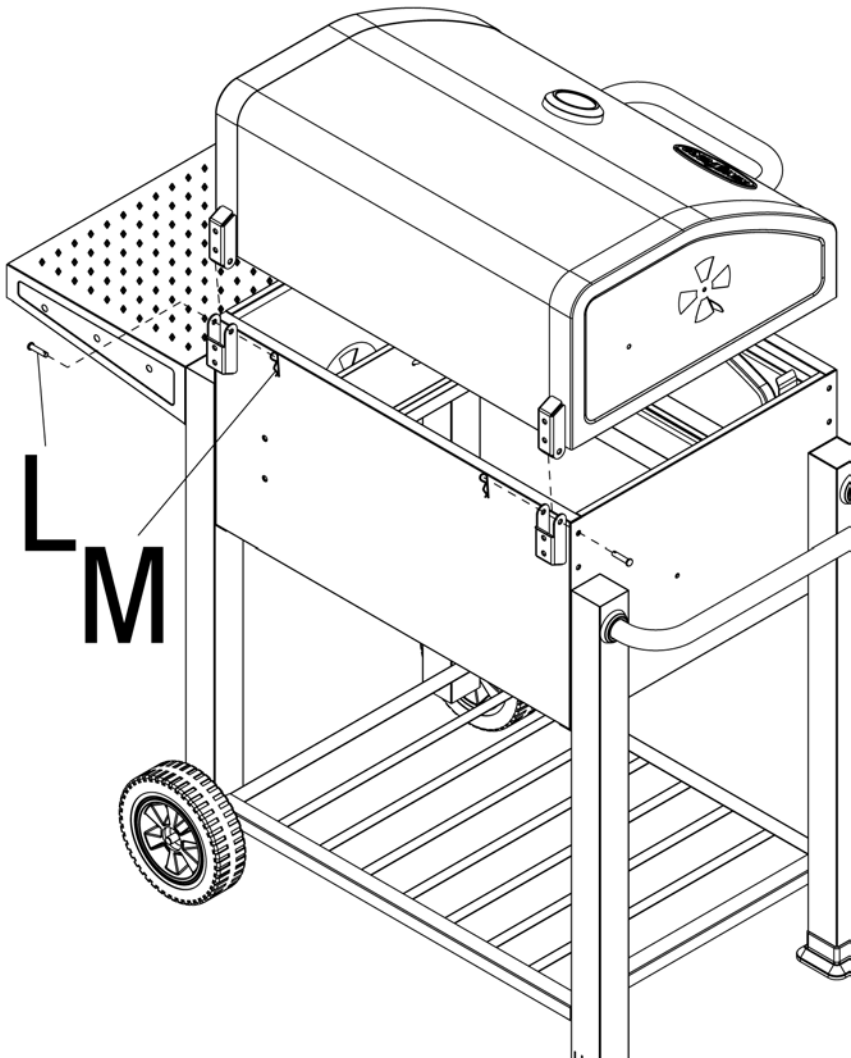
12

Attach (Tool Holder) Screws and Side Shelf



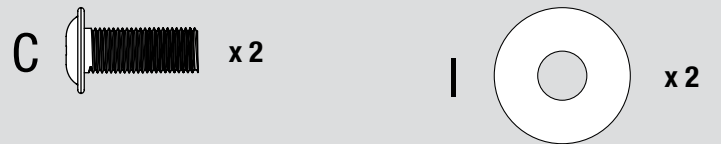
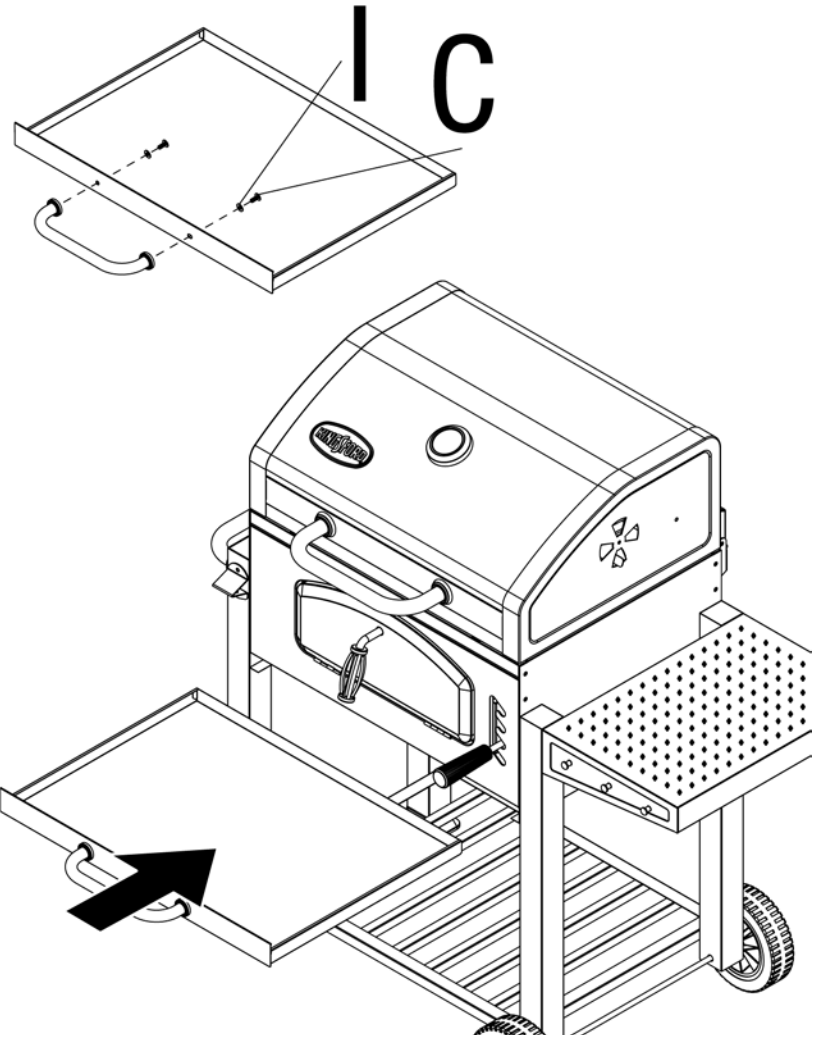
13

Attach Lid



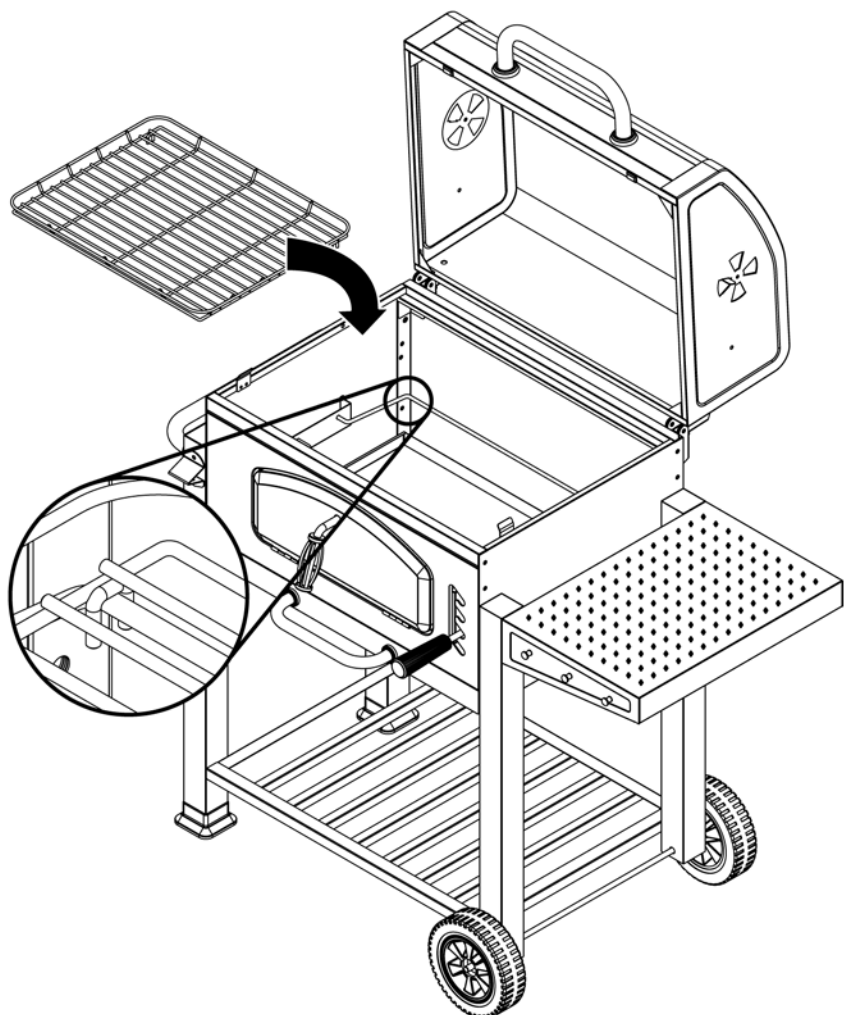
14

Attach Ash Tray Handle and Insert Ash Tray



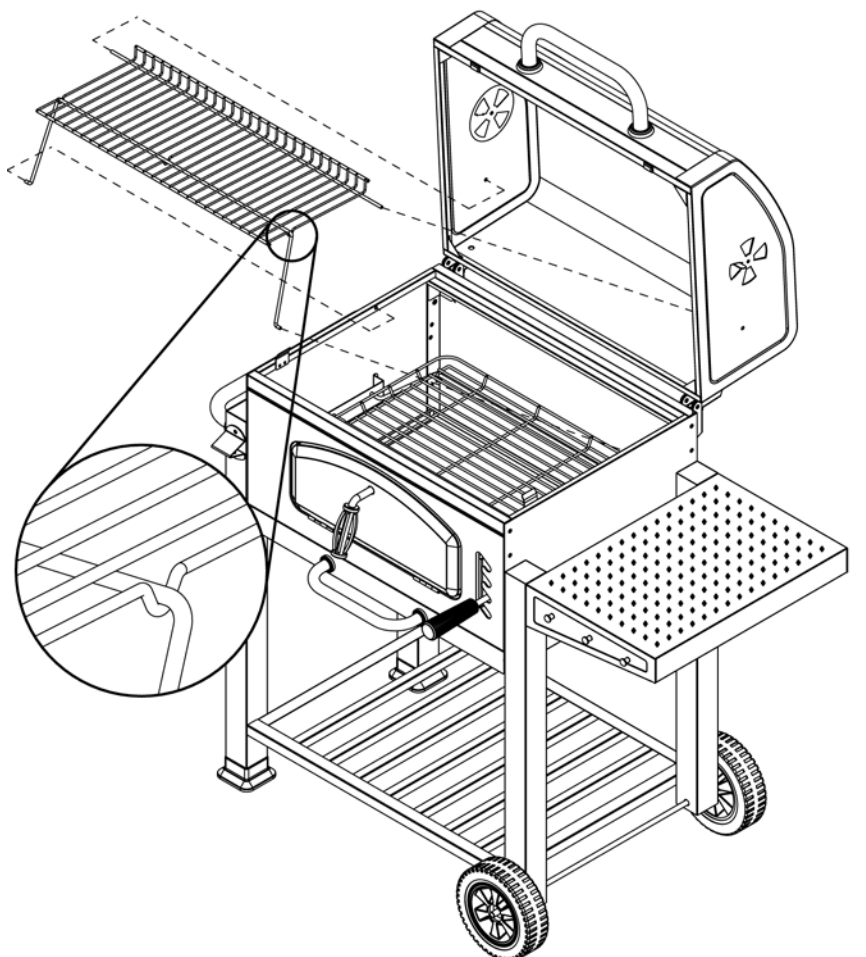
15

Insert Charcoal Grid



16

Insert Warming Rack

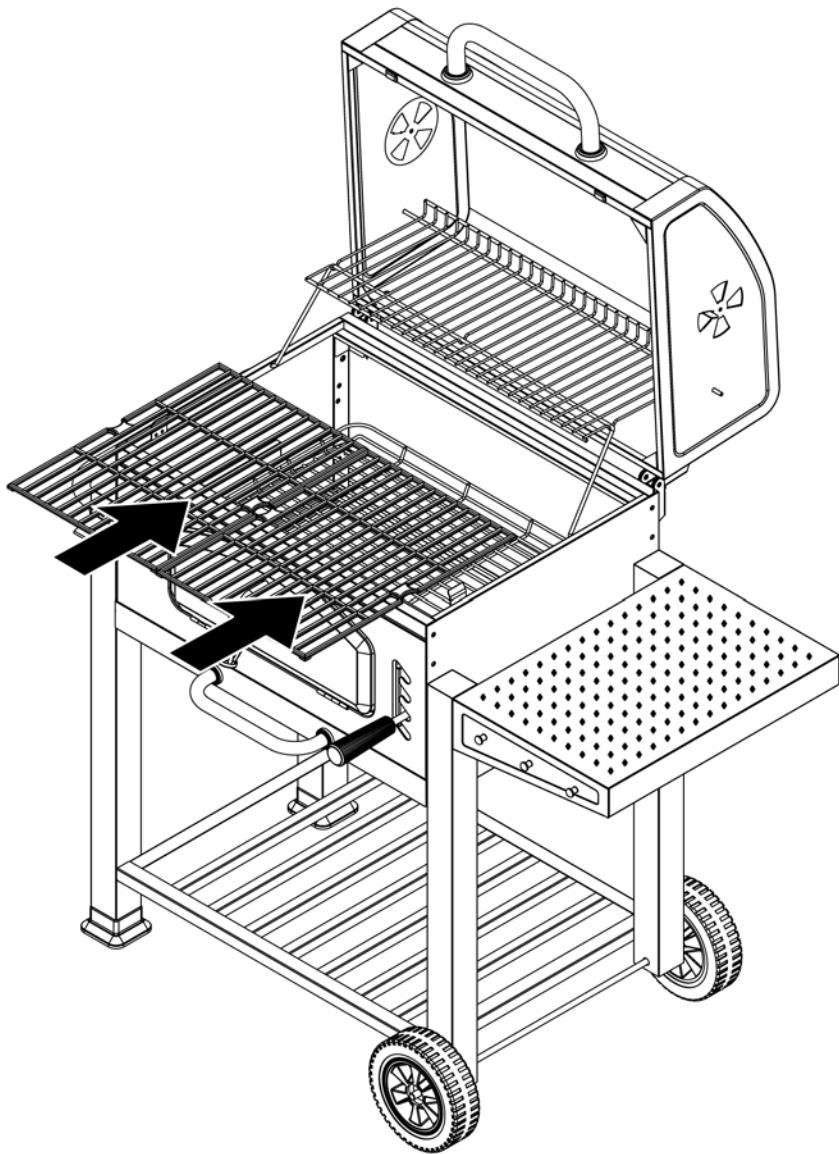




Assembly Instructions (continued)

17

Insert Cooking Grids



Operating Instructions

- ▲ **CAUTION:** Never use charcoal that has been pre-treated with lighter fluid. Use only a high grade plain charcoal, charcoal/wood mixture, lump charcoal or cooking wood.

First Use

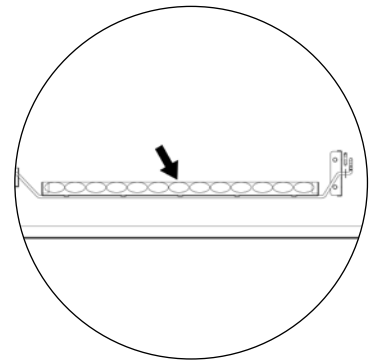
1. Make sure all labels, packaging and protective films have been removed from the grill.
2. Remove manufacturing oils before cooking on this grill for the first time, by operating the grill for at least 15 minutes with the lid closed. This will "heat clean" the internal parts and dissipate odors.

Lighting Instructions

- ▲ **CAUTION:** Keep outdoor cooking appliance area clear and free from combustible materials, gasoline and other flammable vapors and liquids.
- ▲ **CAUTION:** Check to make sure the air vents are free of debris and ash before using the grill.
- ▲ **CAUTION:** Attempting to light the grill with the lid closed may cause an explosion.
- ▲ **CAUTION:** When using a liquid starter, always check bottom bowl before lighting. Fluid can collect in the bottom bowl and could ignite, resulting in a fire.
- ▲ **CAUTION:** Never add lighting fluid to hot or warm coals as flashback may occur, causing serious injury or damage to property.

1. Open lid and vents.
2. Make sure bottom bowl is empty.
3. Remove cooking grid.
4. Arrange charcoal briquettes or other fuel on the charcoal grid to the "Fill Line" (Figure 1).
5. Light per instructions on fuel package.
6. Allow fuel time to ash into glowing coals before cooking.

Figure 1



Turning Off

1. Allow charcoal to completely extinguish itself.
- ▲ **WARNING:** Do NOT use water to extinguish. This can be dangerous and cause damage.
2. Dispose of the ashes in a proper location.

Controlling Flare-ups:

- ▲ **CAUTION:** Do NOT use water on a grease fire. This can cause the grease to splatter and could result in serious burns, bodily harm or other damage.
- ▲ **CAUTION:** Do NOT leave grill unattended while preheating or burning off food residue. If grill has not been cleaned, a grease fire can occur that may damage the product.
- ▲ **WARNING:** When cooking, fire extinguishing materials should be readily accessible. In the event of an oil/grease fire, use a type BC dry chemical fire extinguisher or smother with dirt, sand or baking soda. Do NOT attempt to extinguish with water.

Flare-ups are a part of cooking meats on a grill and add to the unique flavor of grilling.

Excessive flare-ups can over-cook your food and be dangerous.

Important: Excessive flare-ups result from the build-up of grease in the bottom of your grill.

If a grease fire occurs, close the lid until the grease burns out. Use caution when opening the lid as sudden flare-ups may occur.

If excessive flare-ups occur, do NOT pour water onto the flames.

Minimize Flare-ups:

1. Trim excess fat from meats prior to cooking.
2. Cook high fat content meats indirectly.
3. Ensure that your grill is on a hard, level, non-combustible surface.

Cleaning and Care

▲ CAUTION:

1. **All cleaning and maintenance should be done when grill is cool and with the ashes properly disposed of.**
2. **Do NOT clean any grill part in a self-cleaning oven. The extreme heat will damage the finish.**

Notices

1. This grill should be thoroughly cleaned and inspected on a regular basis.
2. Abrasive cleaners will damage this product.
3. Never use oven cleaner to clean any part of grill.

Before Each Use

1. Keep the grill area free and clear from any combustible materials, gasoline, and other flammable vapors and liquids.
2. See below for proper cleaning instructions.

Cleaning Surfaces

1. Wait for grill to fully cool.
2. Wipe surfaces clean with a mild dishwashing detergent or baking soda mixed with water.
3. For stubborn stains, use a citrus-based degreaser and a nylon scrubbing brush.
4. Rinse clean with water.
5. Allow to air dry.

Before Storing

1. Wait for grill to fully cool.
2. Clean all surfaces.
3. If storing the grill indoors, cover the grill and store in a cool dry place.
4. If storing the grill outdoors, cover the grill with a grill cover for protection from the weather.

Product Registration

For faster warranty service, register your product immediately at BlueRhino.com/warranty or call 1.800.762.1142.

Replacement Parts

Replacement parts can be found at parts.BlueRhino.com or call 1.800.762.1142.

Limited Warranty

Blue Rhino Global Sourcing, Inc. ("Blue Rhino") warrants to the original retail purchaser of this product, and to no other person, that if this product is assembled, maintained, and operated in accordance with the printed instructions accompanying it, then for a period of one (1) year from the date of purchase, all parts in such product shall be free from defects in material and workmanship. Blue Rhino may require reasonable proof of your date of purchase. Therefore, you should retain your sales slip or invoice. This Limited Warranty shall be limited to the repair or replacement of parts, which prove defective under normal use and service and which Blue Rhino shall determine in its reasonable discretion upon examination to be defective. Before returning any parts, you should contact Blue Rhino's Customer Service Department using the contact information listed below. If Blue Rhino confirms, after examination, a defect covered by this Limited Warranty in any returned part, and if Blue Rhino approves the claim, Blue Rhino will replace such defective part without charge. If you return defective parts, transportation charges must be prepaid by you. Blue Rhino will return replacement parts to the original retail purchaser, freight or postage prepaid.

This Limited Warranty does not cover any failures or operating difficulties due to accident, abuse, misuse, alteration, misapplication, improper installation or improper maintenance or service by you or any third party, or failure to perform normal and routine maintenance on the product as set out in this owner's manual. In addition, the Limited Warranty does not cover damage to the finish, such as scratches, dents, discoloration, rust or other weather damage, after purchase.

This Limited Warranty is in lieu of all other express warranties. Blue Rhino disclaims all warranties for products that are purchased from sellers other than authorized retailers or distributors, including the warranty of merchantability or the warranty of fitness for a particular purpose. BLUE RHINO ALSO DISCLAIMS ANY AND ALL IMPLIED WARRANTIES, INCLUDING WITHOUT LIMITATION THE IMPLIED WARRANTIES OF MERCHANTABILITY AND FITNESS FOR A PARTICULAR PURPOSE. BLUE RHINO SHALL HAVE NO LIABILITY TO PURCHASER OR ANY THIRD PARTY FOR ANY SPECIAL, INDIRECT, PUNITIVE, INCIDENTAL, OR CONSEQUENTIAL DAMAGES. Blue Rhino further disclaims any implied or express warranty of, and assumes no responsibility for, defects in workmanship caused by third parties.

This Limited Warranty gives the purchaser specific legal rights; a purchaser may have other rights depending upon where he or she lives. Some jurisdictions do not allow the exclusion or limitation of special, incidental or consequential damages, or limitations on how long a warranty lasts, so the above exclusion and limitations may not apply to everyone.

Blue Rhino does not authorize any person or company to assume for it any other obligation or liability in connection with the sale, installation, use, removal, return, or replacement of its equipment, and no such representations are binding on Blue Rhino.

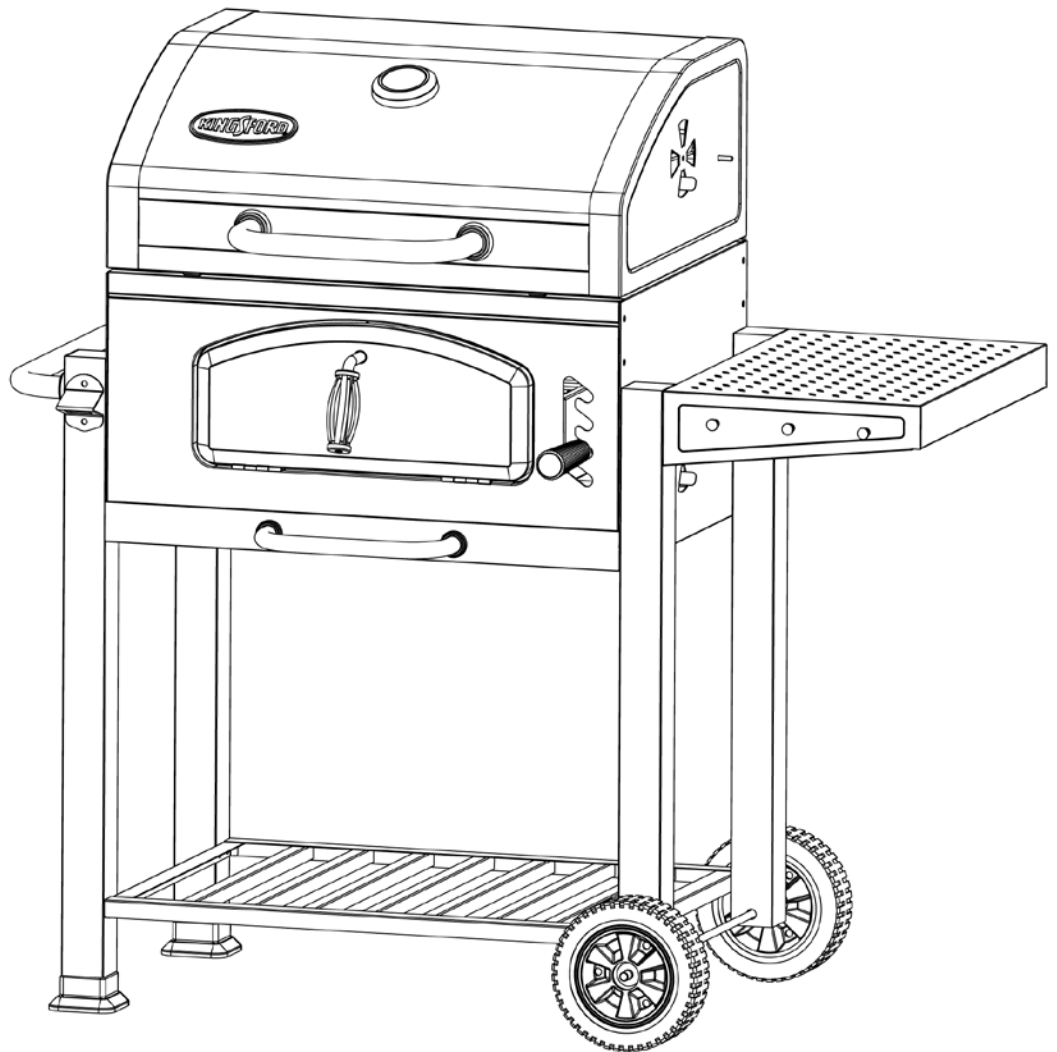
Blue Rhino Global Sourcing, Inc.
Winston-Salem, North Carolina 27105 USA
1.800.762.1142





Barbecue d'extérieur au charbon de bois

Modèle n° CBC1652WB-C



AVERTISSEMENT

POUR VOTRE SÉCURITÉ:

Pour usage à l'extérieur seulement
(hors de tout abri clos)



AVERTISSEMENT

POUR VOTRE SÉCURITÉ:

1. Toute installation défectueuse ou modification incorrecte ainsi que tout mauvais réglage ou entretien incorrect risque d'entraîner des blessures ou des dégâts matériels.
2. Lire complètement les instructions d'installation, d'utilisation et d'entretien avant de procéder à la maintenance de l'appareil ou à son entretien.
3. Le non-respect de ces consignes risque de provoquer un incendie ou une explosion et entraîner des dégâts matériels, des blessures graves voire la mort.
4. Cette notice contient des renseignements importants permettant un assemblage adéquat et à une utilisation sécuritaire de l'appareil.
5. Lire et suivre toutes les mises en garde et toutes les instructions avant l'assemblage et l'utilisation de l'appareil.
6. Suivre toutes les mises en garde et toutes les instructions lors de l'utilisation de l'appareil.



AVERTISSEMENT

POUR VOTRE SÉCURITÉ:

1. NE PAS entreposer ni utiliser de l'essence ni d'autres vapeurs ou liquides inflammables dans le voisinage de l'appareil, ni de tout autre appareil.
2. Si vous cuisinez avec de l'huile ou de la graisse, NE PAS laisser chauffer l'huile ou la graisse au-delà de 176,5 °C (350 °F). NE PAS entreposer ni utiliser d'huile de cuisson supplémentaire à proximité de cet appareil ou de tout autre appareil.



DANGER

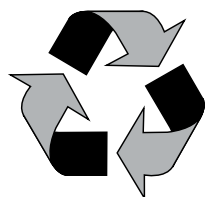
Ne jamais laisser cet appareil allumé sans surveillance.

Table des matières

Consignes de sécurité importantes	page 2
Vue éclatée des pièces et quincaillerie	3
Instructions d'assemblage	4
Fonctionnement	6
Nettoyage et entretien	7
Enregistrement de l'appareil	7
Pièces de rechange	7
Garantie limitée	7

CE MANUEL D'UTILISATION CONTIENT DE L'INFORMATION IMPORTANTE CONCERNANT LA SÉCURITÉ. VEUILLEZ LIRE ET CONSERVER CE MANUEL AFIN DE POUVOIR LE CONSULTER ULTÉRIEUREMENT.

Si vous êtes en train d'assembler cet appareil pour une autre personne, veuillez lui fournir le manuel afin qu'elle puisse le consulter plus tard.



Fabriqué à partir de 75% de bagasse de canne à sucre (résidu de pulpe de canne à sucre sans danger pour l'environnement)



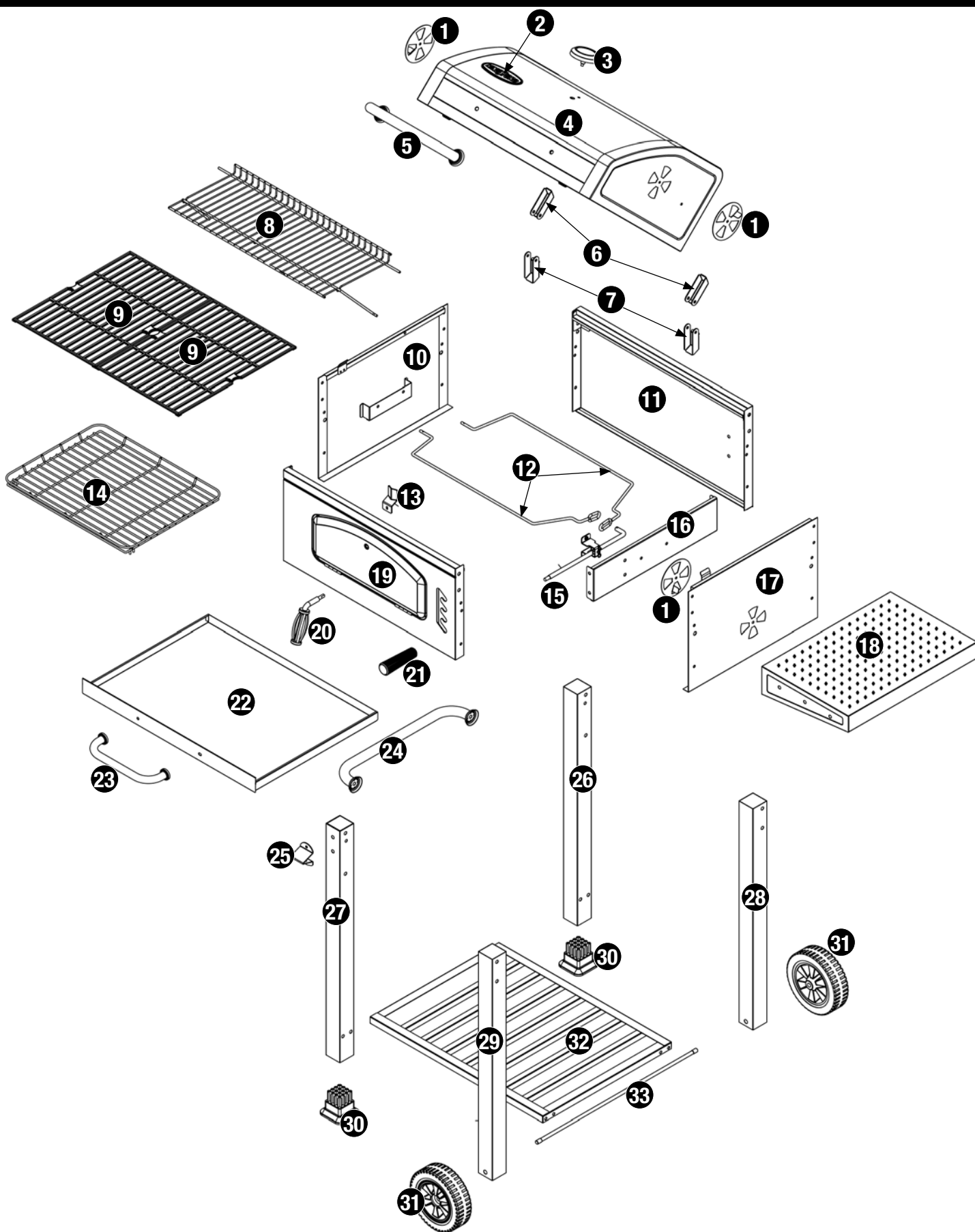
Consignes de sécurité importantes

- ▲ **DANGER:** Le non-respect des avis de danger, des mises en garde et des consignes de sécurité de ce manuel risque de provoquer un incendie ou une explosion et d'entraîner des dégâts matériels, des blessures graves voire la mort.
-
- ▲ **MISES EN GARDE :**
 - ▲ Ce barbecue d'extérieur doit être utilisé uniquement à l'extérieur et ne doit PAS être utilisé dans un immeuble, un garage ou tout autre espace clos.
 - ▲ NE PAS utiliser ou allumer cet appareil à moins de 3,05 m (10 pieds) de tout mur, construction ou immeuble.
 - ▲ Pour usage domestique uniquement. Ce barbecue N'est PAS destiné à un usage commercial.
 - ▲ Ne jamais utiliser de charbon de bois ayant été prétraité avec du liquide allume-barbecue. Utiliser uniquement du charbon de bois de haute qualité, un mélange de charbon de bois et de bois, du charbon de bois en blocs ou briquettes ou du bois. Toute tentative de conversion ou d'utilisation de ce barbecue au charbon de bois avec une autre source de combustible est dangereuse et entraînera l'annulation de la garantie.
 - ▲ Ce barbecue n'est pas sensé être utilisé pour se chauffer. Des émanations TOXIQUES peuvent s'accumuler et provoquer l'asphyxie.
 - ▲ NE PAS utiliser le barbecue pour cuisiner à l'intérieur. Des émanations TOXIQUES de monoxyde de carbone peuvent s'accumuler et provoquer l'asphyxie.
 - ▲ Ce barbecue est homologué afin de pouvoir être utilisé en toute sécurité uniquement aux États-Unis et au Canada. NE PAS modifier le barbecue en vue de l'utiliser autre part. Toute modification présentera un danger pour l'utilisateur et entraînera l'annulation de la garantie.
 - ▲ Avis aux personnes habitant en appartements : Vérifier auprès de la gérance pour connaître les conditions requises, la réglementation et le code de prévention des incendies de votre complexe d'habitations collectives. Si permis, utiliser le foyer en le posant au sol en laissant une distance de sécurité de 3,05 m (10 pieds) entre le barbecue et toute structure. NE PAS utiliser sous un balcon.
 - ▲ La distance de sécurité minimum entre le barbecue et toute surface ou structure combustible est de 92 cm (36 po.) sur les côtés et derrière le barbecue. NE PAS utiliser ce barbecue sous un toit ou une structure quelconque suspendue, en saillie ou en surplomb au dessus du barbecue.
 - ▲ NE PAS utiliser d'essence, de pétrole lampant ni d'alcool pour allumer le barbecue.
 - ▲ NE PAS utiliser le barbecue en présence de vapeurs et émanations explosives. Veiller à ce que la zone autour du barbecue demeure dégagée et dépourvue de matières combustibles, d'essence et d'autres liquides et vapeurs inflammables.
 - ▲ NE PAS utiliser ni entreposer d'essence ou de liquides présentant des vapeurs inflammables à moins de 7,62 m (25 pieds) de cet appareil ou de tout autre appareil.
 - ▲ NE PAS boucher les trous situés sur les côtés ou à l'arrière du barbecue.
 - ▲ Vérifier le barbecue avant chaque utilisation.
 - ▲ NE modifier en aucune façon ce barbecue. Toute modification entraînera l'annulation de la garantie.
 - ▲ NE PAS placer ce type de barbecue dans un espace où le barbecue sera encastré. Le non-respect de cette mise en garde risque de provoquer une explosion ou un incendie et d'entraîner des dégâts matériels, des blessures graves voire la mort.
 - ▲ NE PAS utiliser le barbecue à moins qu'il ne soit COMPLÈTEMENT assemblé et que toutes les pièces ne soient fixées et serrées.
 - ▲ Ce barbecue doit être vérifié et nettoyé en entier régulièrement.
 - ▲ Utiliser uniquement des pièces agréées de l'usine Blue Rhino Global Sourcing, Inc. L'emploi de toute pièce non agréée peut être dangereuse et entraînera l'annulation de la garantie.
 - ▲ NE PAS utiliser cet appareil avant de lire le chapitre « Fonctionnement » de ce manuel.
 - ▲ NE PAS toucher les pièces métalliques du barbecue avant qu'il n'ait complètement refroidi afin de ne pas se brûler, à moins de porter des vêtements de protection (gants, maniques, attirail de barbecue, etc.).
 - ▲ Ne jamais toucher les grilles (de charbon de bois et de cuisson), les cendres ni les briquettes de charbon de bois afin de vérifier si elles sont chaudes.
 - ▲ NE PAS utiliser cet appareil sur une terrasse en bois, des meubles en bois ou sur toute autre surface combustible.
 - ▲ NE PAS installer ni utiliser cet appareil à bord d'un bateau ou d'un véhicule récréatif.
 - ▲ Placer le barbecue de manière à ce que le vent ne puisse emporter des cendres jusqu'à des surfaces combustibles.
 - ▲ NE PAS utiliser le barbecue par grand vent.
 - ▲ Ne jamais se pencher au-dessus du barbecue pour l'allumer.
 - ▲ NE PAS laisser un barbecue sans surveillance surtout si des enfants ou des animaux domestiques ou de compagnie sont à proximité du barbecue.
 - ▲ NE PAS essayer de déplacer le barbecue lorsqu'il est allumé. Laisser le barbecue refroidir avant de le déplacer ou de le remiser.
 - ▲ NE PAS laisser le barbecue sans surveillance lorsqu'il est en phase de préchauffage ni après la cuisson pour éliminer des résidus de nourriture.
 - ▲ Lors de la cuisson, conserver toujours à portée de main des articles ou matières capables d'éteindre le feu. En cas de feu de graisse ou d'huile, NE PAS tenter d'éteindre le feu avec de l'eau. Utiliser un extincteur à poudre BC ou étouffer le feu avec de la terre, du sable ou du bicarbonate de soude.
 - ▲ Veiller à toujours ouvrir lentement et avec précaution le couvercle du barbecue de sorte que la chaleur et la vapeur accumulées ne provoquent de graves brûlures.
 - ▲ Si le barbecue n'est pas nettoyé, un feu de graisse risque de se produire et d'endommager le barbecue.
 - ▲ NE PAS placer de récipient vide sur le barbecue lorsqu'il est allumé.
 - ▲ Faire preuve de précautions au moment de placer quelque chose sur le barbecue lorsqu'il est allumé.
 - ▲ Ne jamais ajouter de liquide allume-barbecue sur des briquettes de charbon de bois brûlantes ou même tièdes car cela risque de provoquer une flambée soudaine et d'entraîner des blessures graves ou des dégâts matériels.
 - ▲ Placer toujours le barbecue sur une surface plane, dure et non combustible. Il est déconseillé de le placer sur de l'asphalte ou du bitume.
 - ▲ NE PAS enlever les cendres avant qu'elles ne soient complètement et totalement éteintes.
 - ▲ Les briquettes chaudes et les morceaux de charbon chaud peuvent provoquer un incendie.
 - ▲ Veiller à toujours vider le cendrier et la cuve du barbecue après chaque utilisation.
 - ▲ NE PAS placer de combustible (briquettes de charbon de bois, bois ou morceaux de charbon de bois) directement dans le fond du barbecue. Placer le combustible uniquement sur la grille ou la plaque à charbon de bois.
 - ▲ NE PAS laisser le charbon de bois reposer contre les parois du barbecue. Ceci risque de réduire la durée de vie du métal et du fini du barbecue.
 - ▲ S'assurer que les volets d'aération ne comportent pas de débris ni de cendre avant d'utiliser le barbecue.
 - ▲ Les morceaux de charbon de bois éteints et les cendres doivent être placés à une distance sécuritaire de toute construction et matière combustible.
 - ▲ À l'aide d'un tuyau d'arrosage, mouiller complètement la surface située en-dessous et autour du barbecue pour éteindre les cendres, les briquettes de charbon de bois ou les braises qui risqueraient d'être tombées lors de la cuisson ou du nettoyage.
 - ▲ La prise d'alcool, de médicaments ou de drogues risque de nuire à l'aptitude de l'utilisateur à assembler ou à utiliser cet appareil en toute sécurité.
 - ▲ Porter toujours des gants de protection pour ajouter du combustible (briquettes de charbon de bois, bois ou morceaux de charbon de bois) afin de maintenir le niveau de chaleur désiré.
 - ▲ Veiller à ce que les câbles et cordons électriques demeurent toujours loin du barbecue lorsqu'il est chaud.
 - ▲ Utiliser toujours un thermomètre à viande afin de s'assurer que la nourriture est cuite à une température adéquate.
 - ▲ Ne jamais recouvrir la totalité de l'espace de cuisson avec du papier d'aluminium.
 - ▲ Porter des gants de protection pour assembler cet article.
 - ▲ NE PAS forcer les pièces les unes dans les autres afin d'éviter toute blessure et éviter d'endommager cet article.
 - ▲ NE PAS toucher le cendrier ni sa poignée avant que le barbecue n'ait complètement refroidi, à moins de porter un attirail de protection.
 - ▲ NE PAS toucher le volet d'aération ni sa poignée avant que le barbecue n'ait complètement refroidi, à moins de porter un attirail de protection.
 - ▲ Les consignes ci-dessus doivent être strictement respectées et le non respect de ces consignes risque de provoquer des dégâts matériels ou d'entraîner des blessures graves voire la mort.

Liste des pièces

1	Volet d'aération (3)	55-24-120
2	Plaque de la marque*	55-10-586
3	Indicateur de température	55-24-461
4	Couvercle	55-25-040
5	Poignée du couvercle	55-25-041
6	Charnière supérieure (2)	55-24-196
7	Charnière inférieure (2)	55-24-197
8	Grille de réchauffage	55-25-042
9	Grille de cuisson (2)	55-25-043
10	Panneau gauche	55-25-044
11	Panneau arrière	55-25-045
12	Support du grille de réchauffage (2)	55-25-046
13	Support de la poignée de la plaque à charbon de bois	55-25-047
14	Grille à charbon de bois	55-25-048
15	Tige de la grille à charbon de bois	55-25-049
16	Support du panneau grille de réchauffage	55-25-050
17	Panneau droit	55-25-051
18	Tablette droite	55-25-052
19	Panneau avant	55-25-053
20	Poignée de la plaque à charbon de bois	55-25-054
21	Poignée de la porte du compartiment à charbon de bois	55-25-055
22	Plaque du cendrier	55-25-056
23	Poignée de plaque	55-25-057
24	Poignée latérale	55-25-058
25	Décapsuleur	55-25-059
26	Pied arrière gauche	55-25-060
27	Pied avant gauche	55-25-061
28	Pied arrière droit	55-25-062
29	Pied avant droit	55-25-063
30	Embout de pied (2)	55-25-064

Vue éclatée



31	Roue (2)	55-07-363
32	Tablette inférieure de rangement	55-25-065
33	Essieu	55-25-066

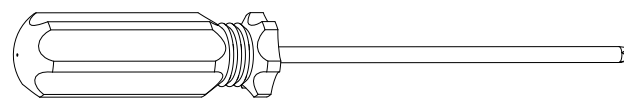
* Prémonté

Quincaillerie

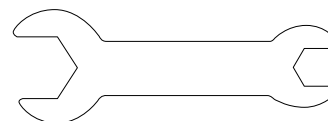
A	Vis	Nickelée, à tête bombée Phillips, M5x10	5 pcs
B	Vis	Nickelé AXIAL à tête bombée, M6x15	3 pcs
C	Vis	Nickelée, à tête bombée Phillips, M6x15	38 pcs
D	Vis	Nickelée, à tête bombée Phillips, M6x35	8 pcs
E	Vis	Nickelée, à tête bombée Phillips, M6x65	2 pcs
F	Écrou	Nickelée, M8	1 pc
G	Écrou	Nickelée, M10	2 pcs
H	Écrou à oreilles	Nickelée, M5	3 pcs
I	Rondelle	Nickelée, ø6,5x18	4 pcs
J	Rondelle	Nickelée, ø10	1 pc
K	Rondelle de blocage	Nickelée, ø8,5	1 pc
L	Goupille	Nickelée, ø6 x 45	2 pcs
M	Goupille fendue	Noire, ø1,4 x 30	5 pcs

Outils requis pour l'assemblage (fournis)

Tournevis cruciforme Phillips n° 2 1 pc



Clé M10-M8 2 pcs



Instructions d'assemblage
1
NE PAS RETOURNER AU MAGASIN AVEC CET ARTICLE.

Pour toute assistance technique, appelez le numéro sans frais **1.800.762.1142**. Faites en sorte que votre manuel d'utilisation et le modèle numéro soient à portée de main afin de pouvoir vous y référer.

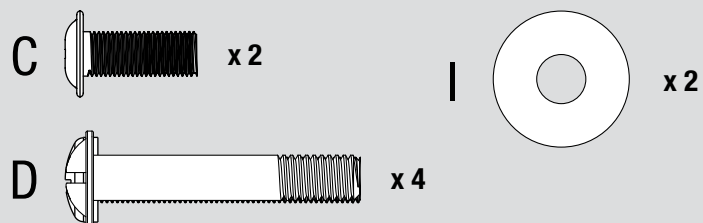
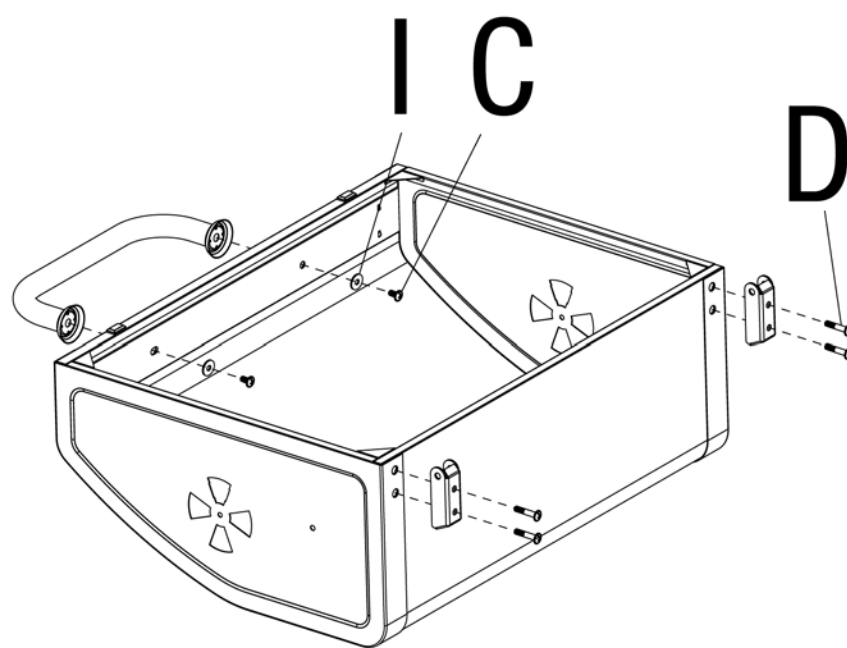
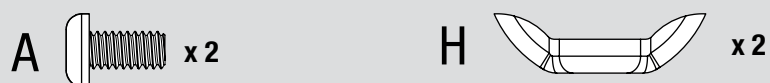
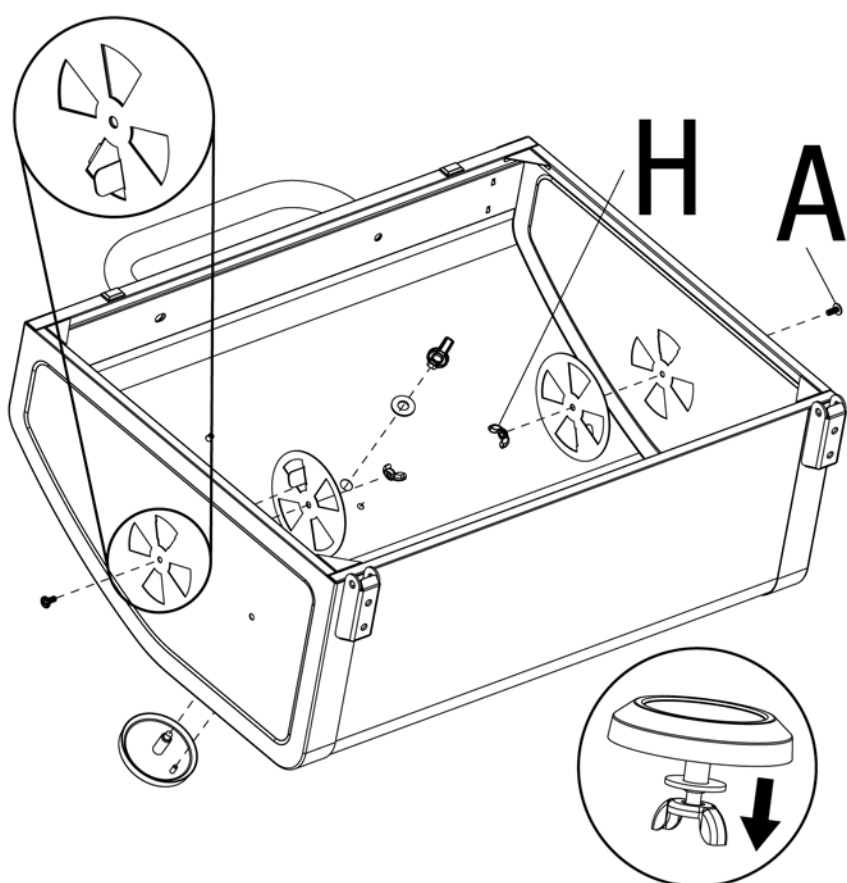
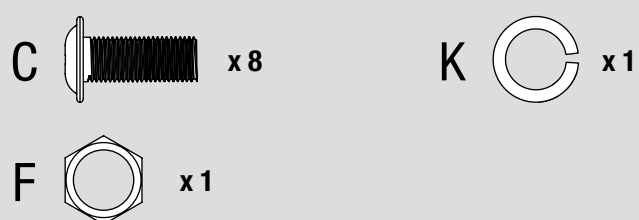
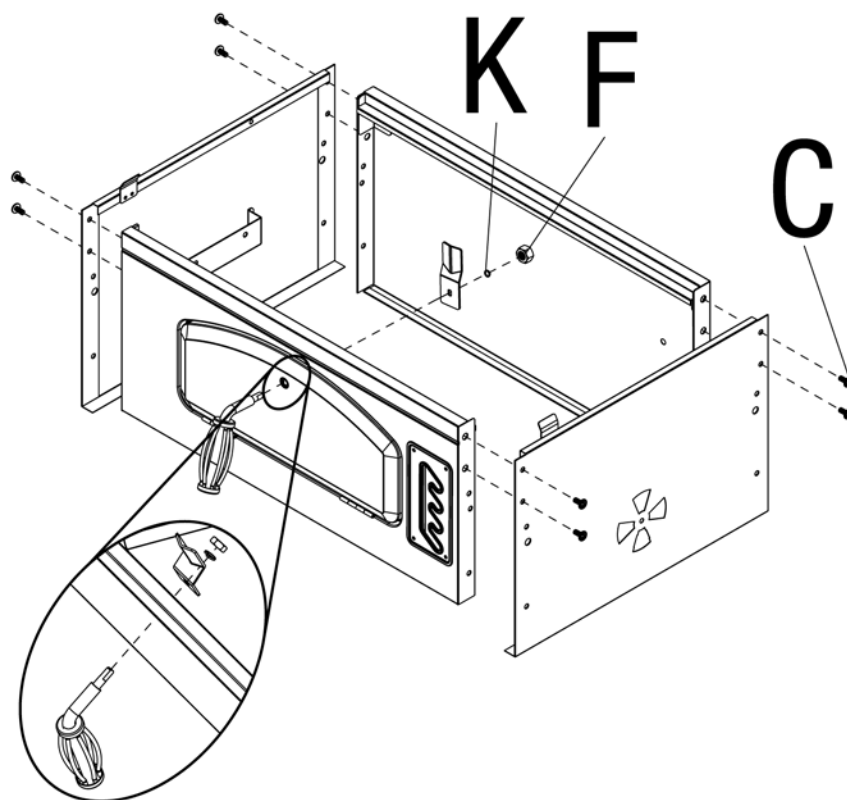
Pour faciliter l'assemblage:

1. Choisissez l'endroit où vous comptez assembler cet article. Pour éviter de perdre des petites pièces ou la quincaillerie d'installation, assemblez cet article sur une surface plane et lisse qui ne comporte pas de trous ni de fissures.
2. Étalez toutes les pièces et la quincaillerie d'installation.
3. Serrez à la main toutes les fixations et la visserie en premier. Une fois l'étape terminée, serrez-les complètement en veillant à ne pas trop les serrer afin d'éviter d'endommager la surface de l'appareil et de fausser le filetage.
4. Suivez toutes les étapes dans l'ordre afin d'assembler correctement cet article.

Pour effectuer l'assemblage, vous aurez besoin des choses suivantes:

- un (1) sac de charbon de bois (non fournis)

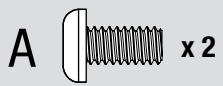
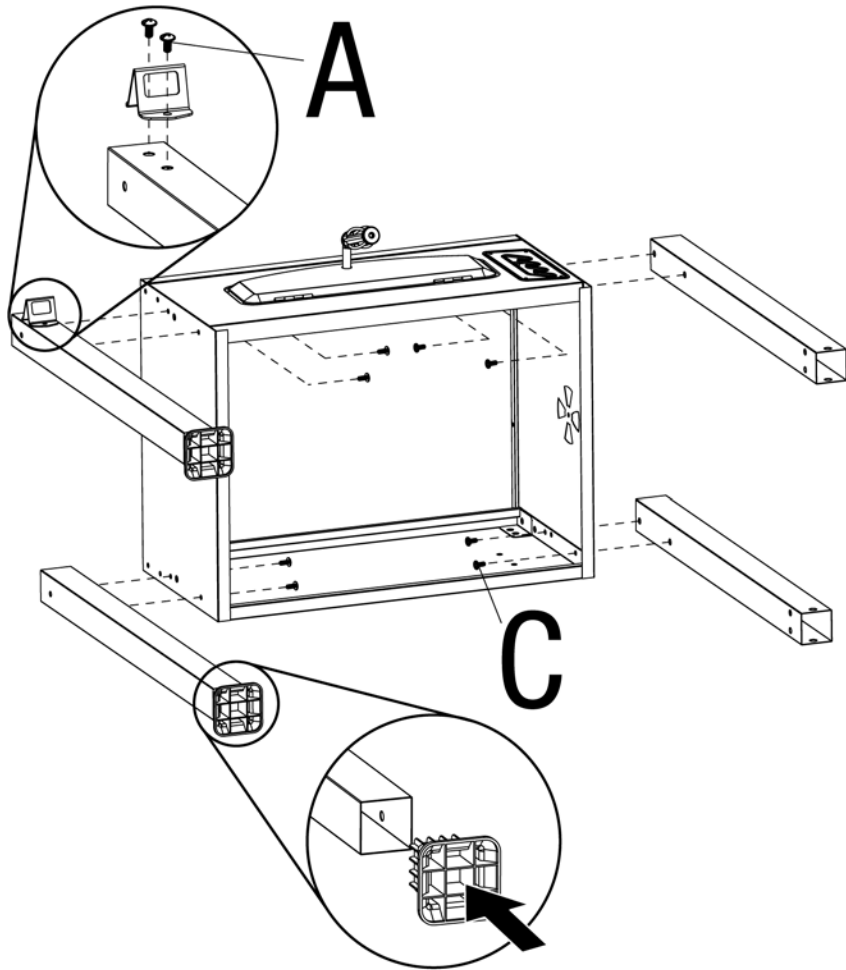
Temps d'assemblage : environ 45 minutes.

2
Fixer les charnières supérieures et la poignée du couvercle

3
Fixer le Indicateur de température et les volet d'aérations

4
Assemble Grill Body, Charcoal Door Handle and Charcoal Door Handle Support


5

Fixer les pieds, les jambes et le décapsuleur.

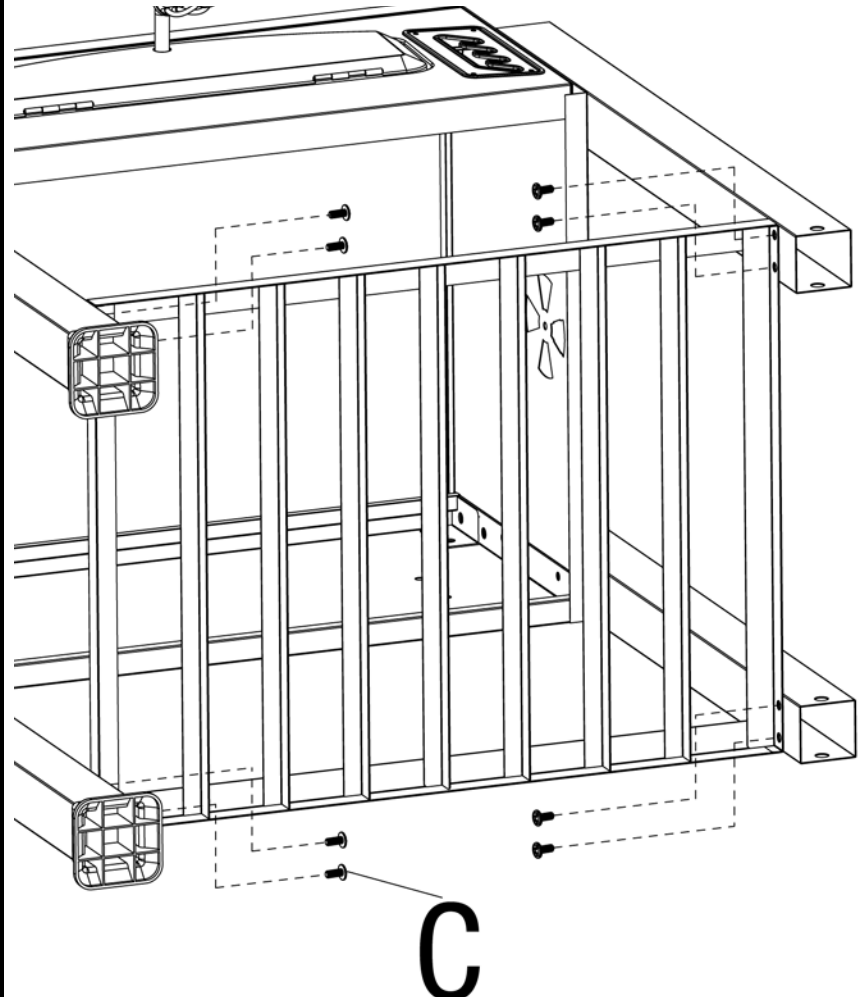
Remarque: Ne pas serrer complètement les vis.



6

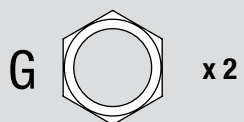
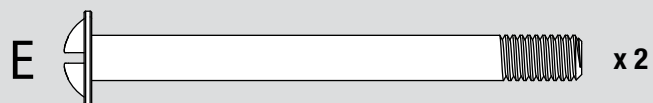
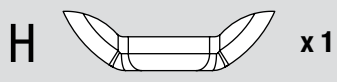
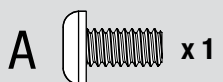
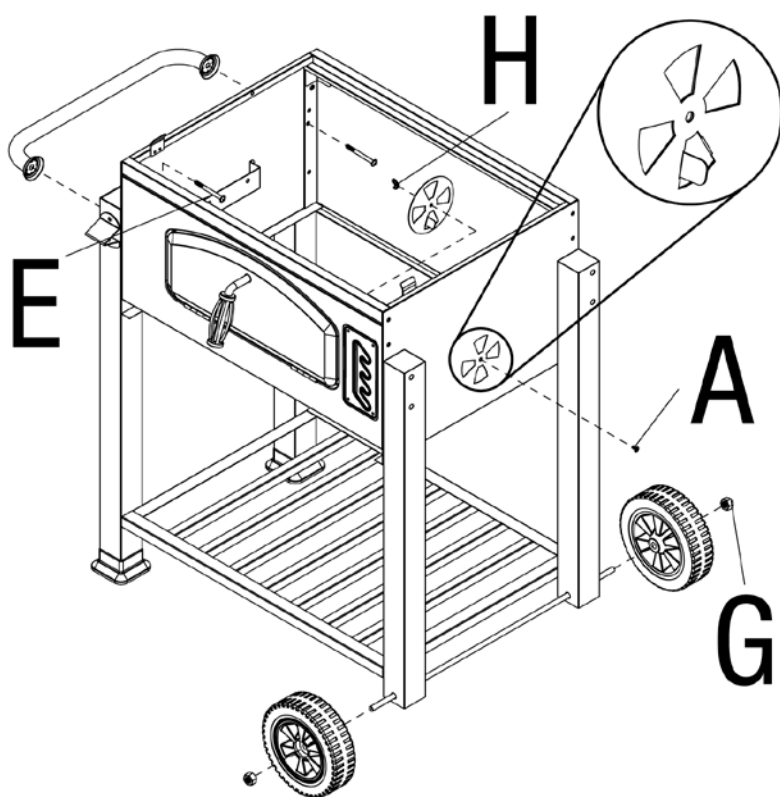
Fixer la tablette inférieure rangement

Remarque: Serrer les vis de l'étape 6.



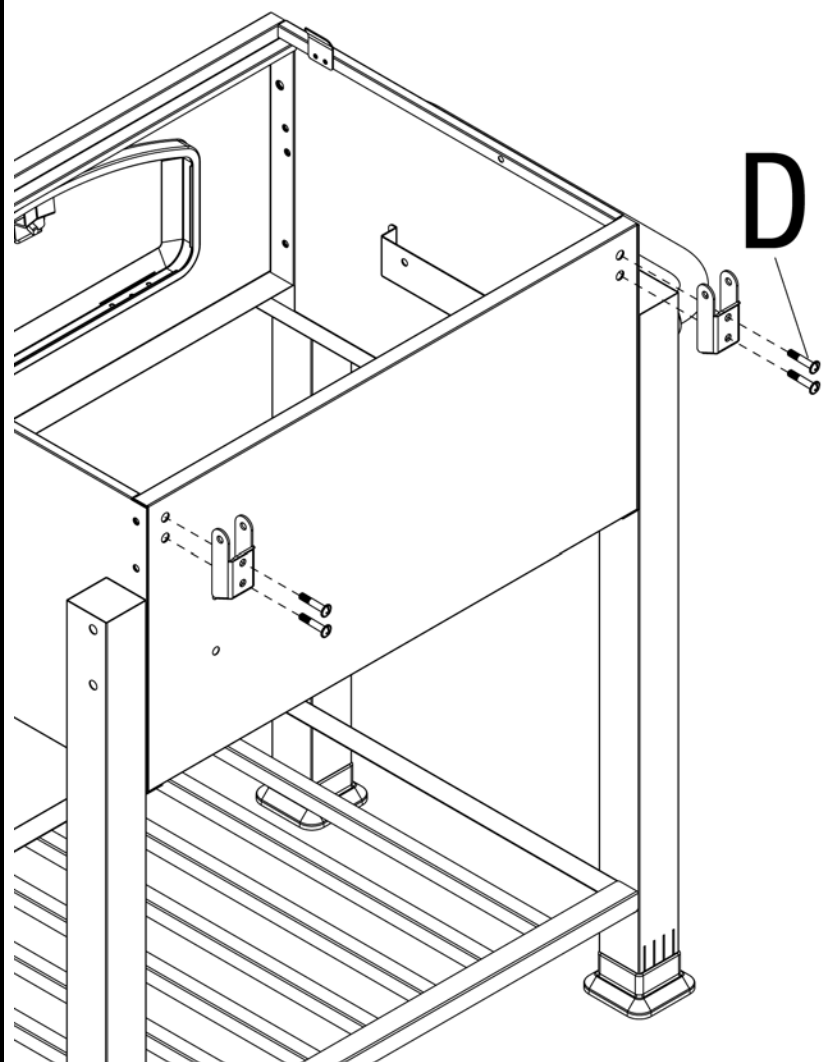
7

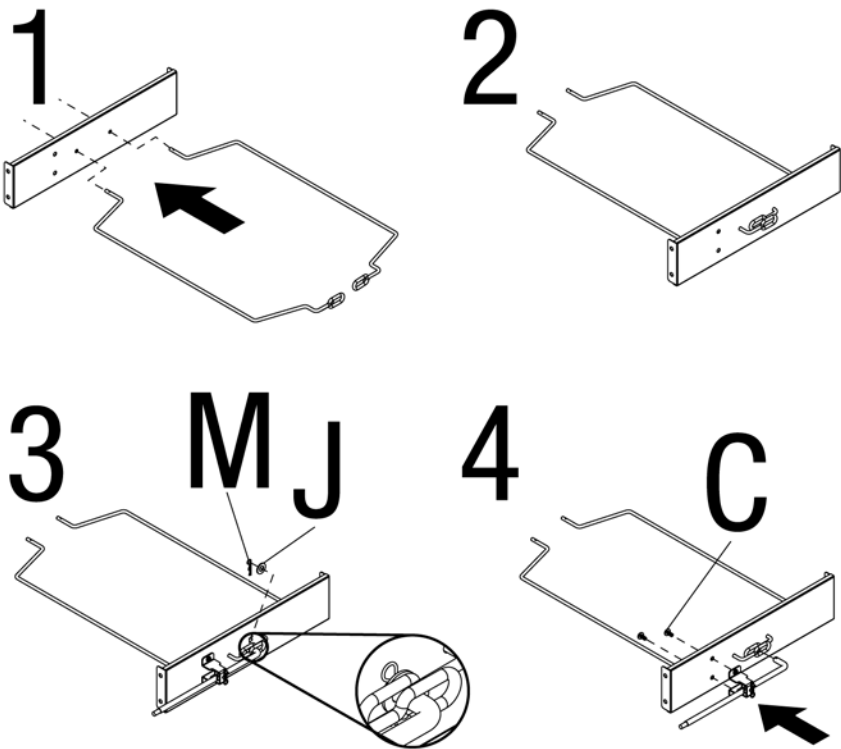
Fixer la poignée latérale, le volet d'aération, l'essieu et les roues



8

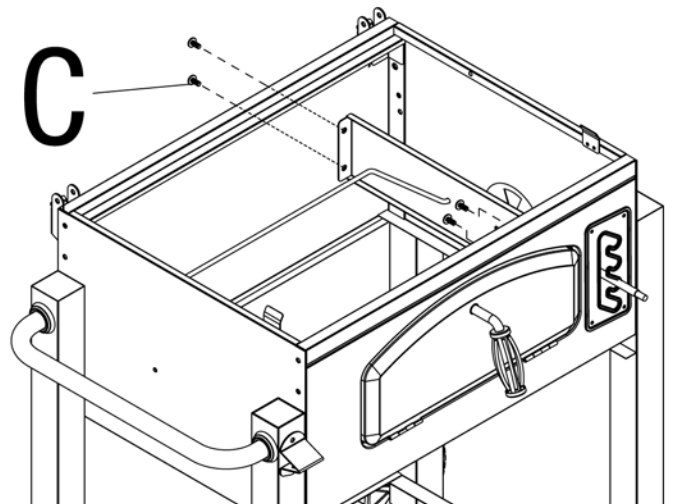
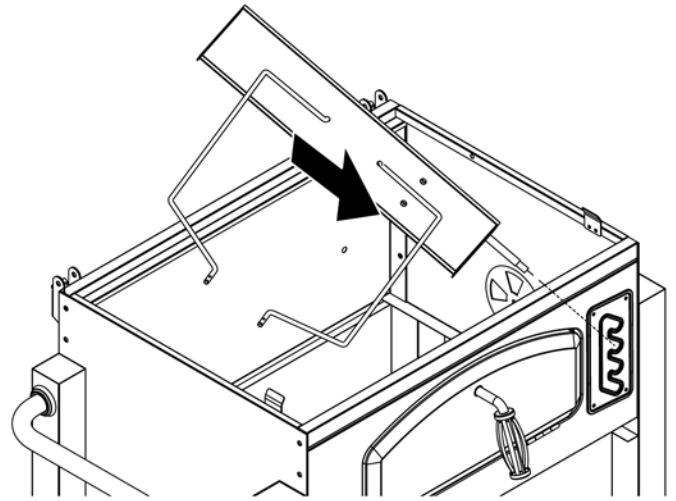
Fixer les charnières inférieure

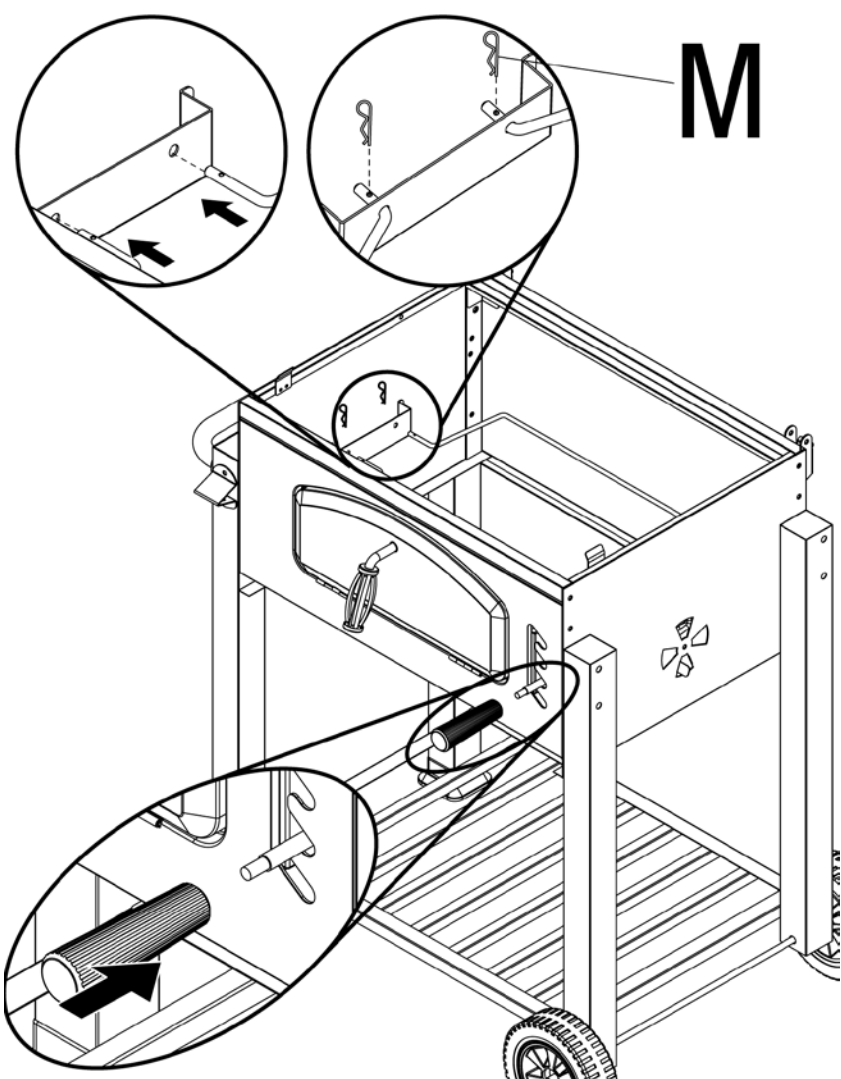


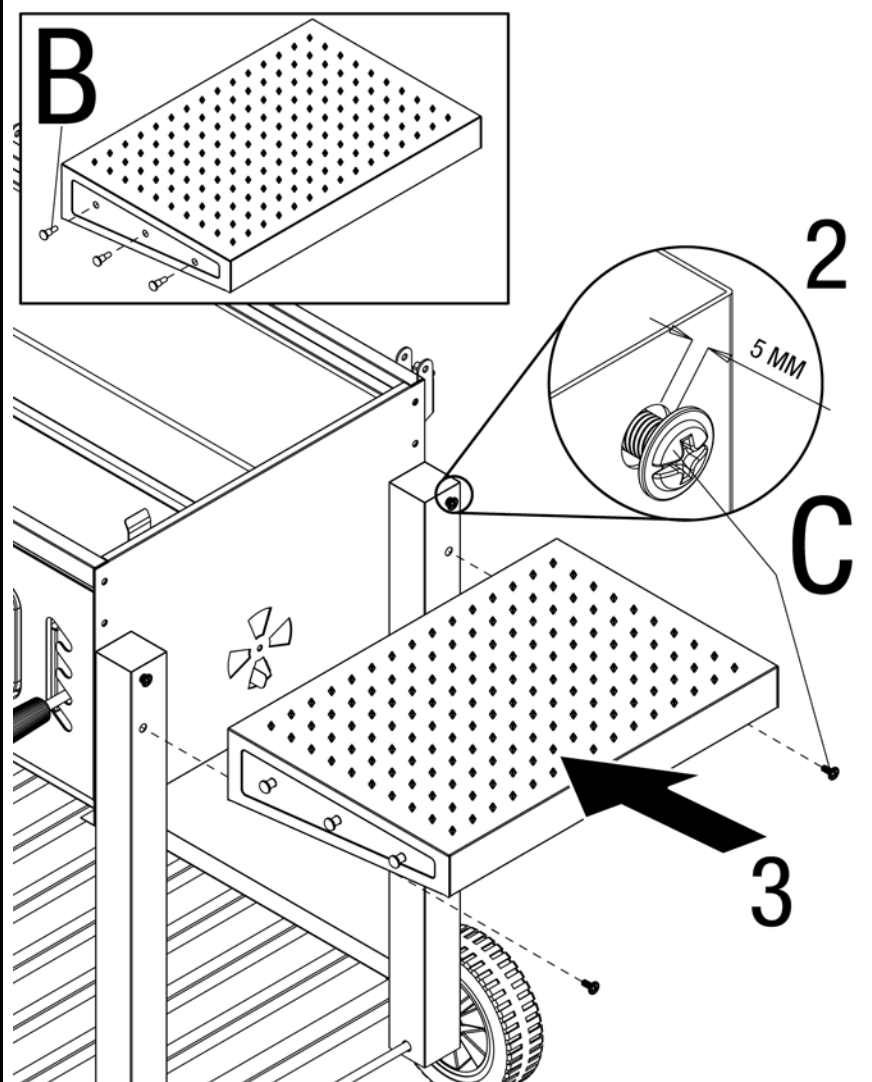
Instructions d'assemblage (suite)
9
Support du panneau grille de réchauffage et les supports du grille de réchauffage

C x2

M x1

J x1

10
Installer et fixer les supports du panneau grille de réchauffage

C x4

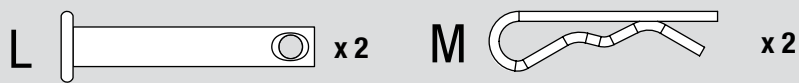
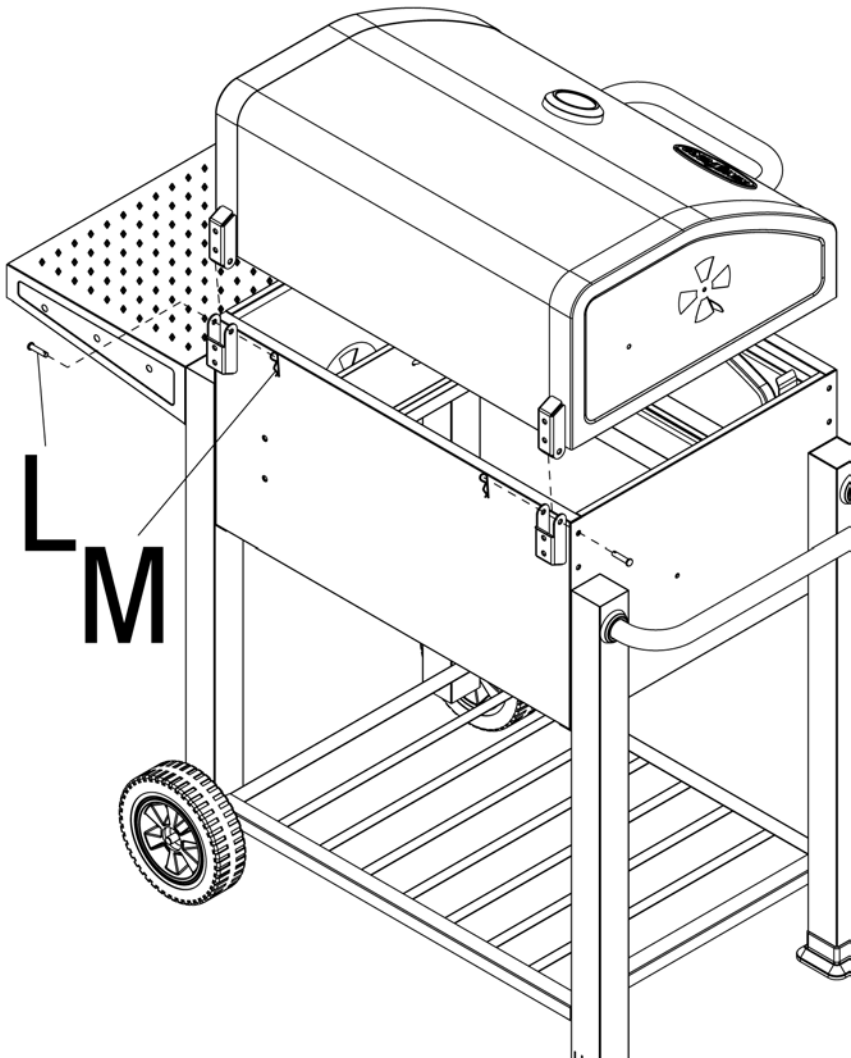
11
Fixer les supports du panneau grille de réchauffage et le poignée de la porte du compartiment à charbon de bois

M x2

12
Fixer les vis (porte-ustensiles) et la tablette gauche

B x3

C x4

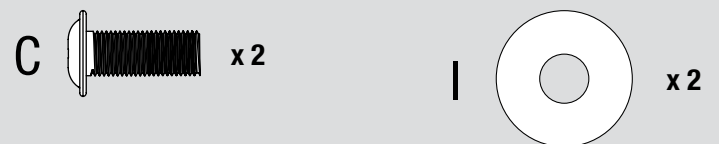
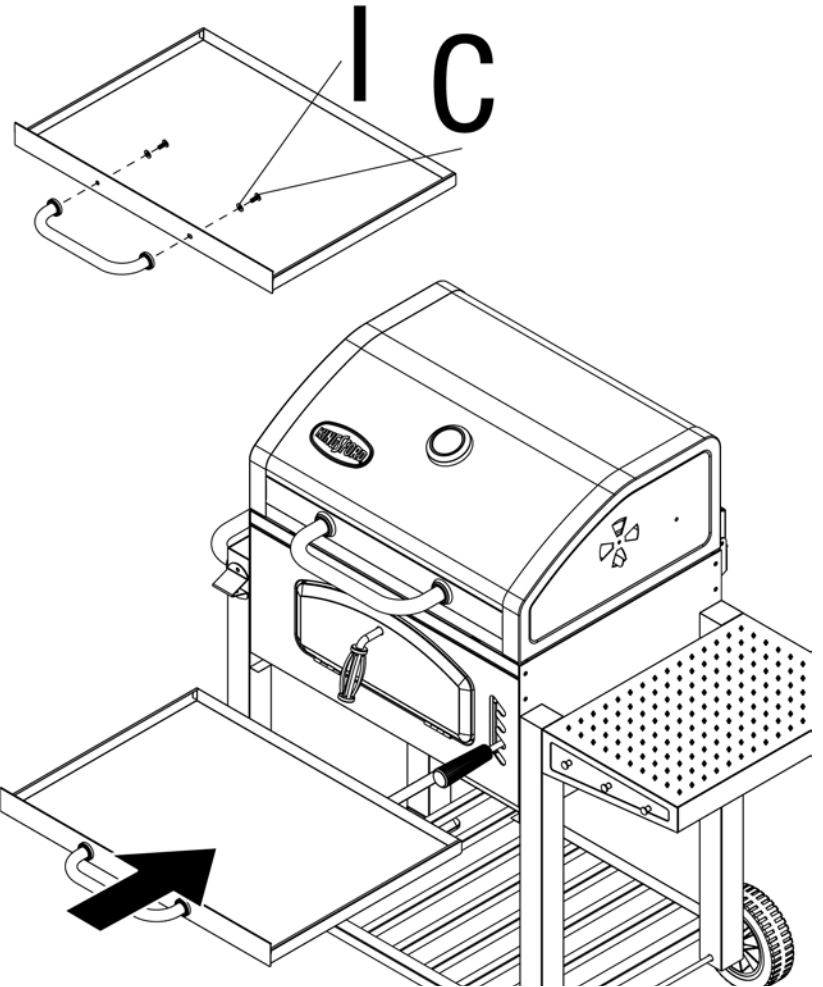
13

Fixer le couvercle



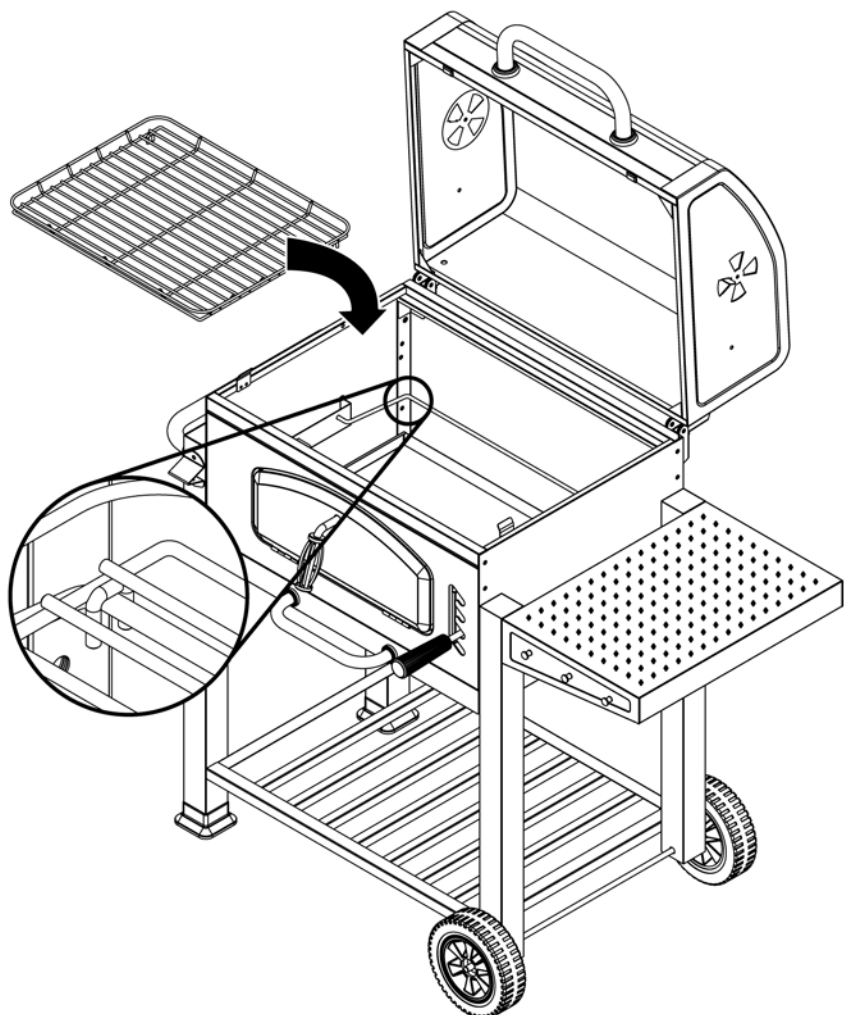
14

Fixer les poignées du cendrier et insérer la plaque du cendrier



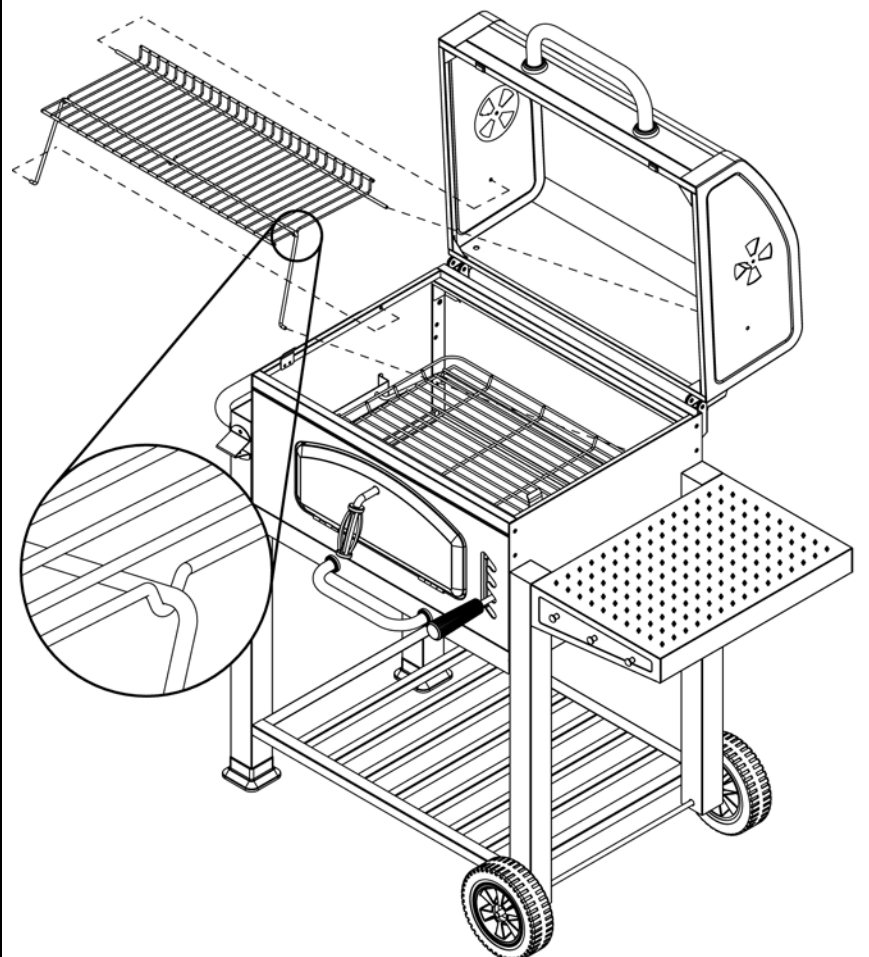
15

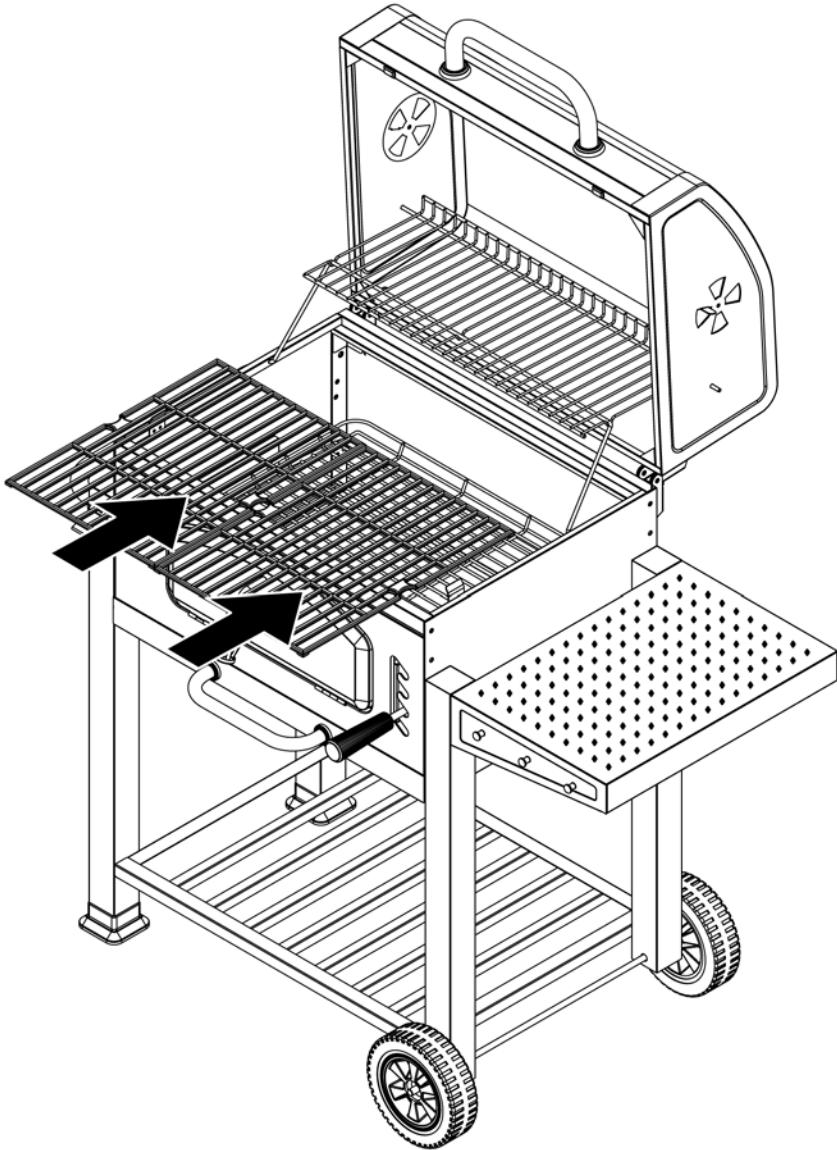
Installer la grille à charbon de bois



16

Fixer la grille de réchauffage



Instructions d'assemblage (suite)
17
Installer la grille de cuisson

Fonctionnement

▲ **ATTENTION : Ne jamais utiliser de charbon de bois ayant été prétraité avec du liquide allume-barbecue. Utiliser uniquement du charbon de bois de haute qualité, un mélange de charbon de bois et de bois, du charbon de bois en blocs ou briquettes ou du bois.**

Utiliser le barbecue pour la première fois

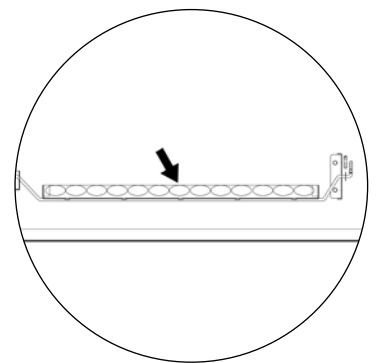
1. Assurez-vous d'avoir retiré toutes les étiquettes ainsi que tout le matériau d'emballage et le film protecteur du barbecue.
2. Avant de cuire quoi que ce soit sur le barbecue pour la première fois, faites fonctionner le barbecue pendant environ 15 minutes avec le couvercle fermé. La chaleur « nettoiera » les pièces internes et dissipera les odeurs.

Allumer le barbecue

- ▲ **ATTENTION : Veiller à ce que la zone autour de cet équipement de cuisson d'extérieur demeure dégagée et dépourvue de matières combustibles, d'essence et d'autres liquides et vapeurs inflammables.**
- ▲ **ATTENTION : S'assurer que les volets d'aération ne comportent pas de débris ni de cendre avant d'utiliser le barbecue.**
- ▲ **ATTENTION : Toute tentative d'allumage avec le couvercle fermé risque de provoquer une explosion!**
- ▲ **ATTENTION : Lorsque vous utilisez du liquide allume-barbecue, vérifiez toujours la cuve avant d'allumer le barbecue. Du liquide allume-barbecue peut s'accumuler dans la cuve et risque de s'enflammer et de provoquer un incendie.**
- ▲ **ATTENTION : Ne jamais ajouter de liquide allume-barbecue à des briquettes de charbon de bois brûlantes ou même tièdes car cela risque de provoquer une flambée soudaine et d'entraîner des blessures graves ou des dégâts matériels.**

1. Ouvrez le couvercle et les volets d'aération.
2. Assurez-vous que la cuve est vide.
3. Retirez la grille de cuisson.
4. Disposez les briquettes de charbon de bois ou le combustible sur la grille jusqu'au repère "Fill Line" (ligne de remplissage). Voir illustration 1.
5. Allumez le combustible en suivant les instructions figurant sur le sac d'emballage.
6. Laissez le combustible se transformer en charbon chaud recouvert de cendres avant la cuisson.

Illustration 1


Éteindre le barbecue

1. Laissez le charbon de bois s'éteindre complètement
- ▲ **AVERTISSEMENT : NE PAS utiliser d'eau pour éteindre le barbecue, ceci peut s'avérer dangereux et risque de provoquer des dégâts matériels.**
2. Jetez les cendres dans un endroit adéquat conformément à la réglementation en vigueur.

Éliminer les flambées soudaines:

- ▲ **ATTENTION: Ne pas utiliser d'eau sur un feu de graisse. La graisse risque de vous éclabousser et de provoquer des brûlures graves, des blessures et autres dégâts matériels.**
- ▲ **ATTENTION: Ne pas laisser le barbecue sans surveillance lorsque vous préchauffez le barbecue ou brûlez des résidus de nourriture. Si le barbecue n'a pas été nettoyé régulièrement, vous courez le risque d'un feu de graisse qui risque d'endommager le barbecue.**
- ▲ **AVERTISSEMENT: Lors de la cuisson, conserver toujours à portée de main des articles ou matières capables d'éteindre le feu. En cas de feu de graisse ou d'huile, ne pas tenter d'éteindre le feu avec de l'eau. Utiliser un extincteur à poudre BC ou étouffer le feu avec de la terre, du sable ou du bicarbonate de soude. Ne pas tenter d'éteindre le feu avec de l'eau.**

Les flambées soudaines sont normales et se produisent régulièrement lorsque vous cuisez de la viande au barbecue et donnent un goût unique à vos grillades.

De trop nombreuses flambées soudaines risquent de brûler vos aliments et peuvent être dangereuses.

Important: Les trop nombreuses flambées soudaines résultent d'une accumulation de résidus de graisse au fond du barbecue.

En cas de feu de graisse, fermez le couvercle et laissez la graisse se consumer complètement. Prenez garde lorsque vous ouvrez le couvercle afin d'éviter de vous brûler en cas de flambée soudaine.

En cas de trop nombreuses flambées soudaines, **NE PAS** verser d'eau, à niveau sur les flammes.

Minimiser les flambées soudaines:

1. Découpez le gras de la viande avant la cuisson.
2. Veillez à cuire les viandes très grasses à petit feu sur une cuisson indirecte.
3. Assurez-vous que le barbecue se trouve sur une surface dure, à niveau et non combustible.

Nettoyage et entretien

▲ ATTENTION:

1. **Tout nettoyage ou entretien doit être effectué lorsque le barbecue est froid et après avoir retiré la matière combustible.**
2. **NE placer aucune pièce du barbecue dans un four autonettoyant. La chaleur extrême endommagera le fini du barbecue.**

Avis

1. **Ce barbecue doit être vérifié et nettoyé en entier régulièrement.**
2. **N'utilisez pas de produits de nettoyage abrasifs car ils risquent d'endommager le barbecue.**
3. **N'utilisez jamais de produit à nettoyer les fours sur une pièce quelle qu'elle soit du barbecue.**

Avant chaque utilisation:

1. Assurez-vous que la zone autour du barbecue demeure dégagée et dépourvue de matières combustibles, d'essence et d'autres liquides et vapeurs inflammables.
2. Reportez-vous aux paragraphes ci-dessous pour les instructions de nettoyage.

Nettoyage des surfaces du barbecue

1. Attendez que le barbecue ait complètement refroidi.
2. Essuyez les surfaces du barbecue avec un liquide à vaisselle doux ou du bicarbonate de soude mélangé avec de l'eau.
3. Pour les tâches coriaces, utilisez un dégraissant au citron et une brosse de nettoyage en nylon.
4. Rincez à l'eau.
5. Laissez le barbecue sécher à l'air libre.

Avant le remisage

1. Attendez que le barbecue ait complètement refroidi.
2. Nettoyez toutes les surfaces.
3. Si vous comptez entreposer le barbecue à l'intérieur, recouvrez le barbecue avec une housse et placez-le dans un endroit frais et sec.
4. Si vous comptez entreposer le barbecue à l'extérieur, recouvrez le barbecue avec une housse pour le protéger des intempéries.

Enregistrement de l'appareil

Pour bénéficier plus rapidement du service offert par la garantie, veuillez enregistrer cet article immédiatement sur le site internet BlueRhino.com/Warranty ou appelez le 1.800.762.1142.

Pièces de rechange

Vous trouverez toutes les pièces de rechange nécessaires sur le site web parts.bluerhino.com ou appelez le 1.800.762.1142.

Garantie limitée

La société Blue Rhino Global Sourcing, Inc. (« Blue Rhino ») garantit cet article au premier acheteur au détail et à aucune autre personne, contre tout vice de matériau et de fabrication pendant un (1) an à partir de la date d'achat si cet article est monté et utilisé conformément aux instructions fournies. Blue Rhino vous demandera sans doute une preuve raisonnable d'achat datée, veuillez donc conserver votre facture ou votre reçu. Cette garantie limitée se limitera à la réparation ou au remplacement de pièces ayant été déterminées défectueuses par Blue Rhino lors de conditions d'utilisation et d'entretien normales. Avant de renvoyer une pièce, contactez le service à la clientèle de Blue Rhino. Si Blue Rhino confirme le défaut de fabrication et approuve la réclamation, ce dernier remplacera gratuitement les dites pièces. Si vous devez renvoyer des pièces défectueuses, les pièces devront être expédiées port-payé. Blue Rhino s'engage à renvoyer les pièces à l'acheteur port-payé.

Cette garantie limitée ne couvre pas les pannes et dysfonctionnements survenant suite à tout accident, mauvais usage, entretien incorrect de cet article, ou toute modification, mauvaise installation ou négligence comme il a été établi dans ce manuel. De plus, cette garantie limitée ne couvre pas les dommages au fini, à savoir les rayures, les bosses, les traces de décoloration, de rouille ou les dommages résultant des intempéries après achat de l'article.

Cette garantie remplace toute autre garantie expresse et il n'existe aucune autre garantie expresse à l'exception de la couverture indiquée ici. Blue Rhino désavoue toute garantie couvrant des produits ayant été achetés auprès de revendeurs autres que les revendeurs et distributeurs agréés y compris toute garantie de commerciabilité et d'adaptation à un usage particulier. BLUE RHINO DÉCLINE ÉGALEMENT TOUTE GARANTIE IMPLICITE Y COMPRIS TOUTE GARANTIE DE COMMERCIALITÉ ET D'ADAPTATION À UN USAGE PARTICULIER. BLUE RHINO NE POURRA ÊTRE TENU RESPONSABLE PAR L'ACHETEUR OU UN TIERS POUR TOUS DÉGÂTS ET DOMMAGES PARTICULIERS, INDIRECTS, PUNITIFS OU CONSÉCUTIFS. De plus, Blue Rhino désavoue toute garantie expresse ou implicite et décline toute responsabilité en cas de défaut de fabrication causés par un tiers.

Cette garantie limitée octroie des droits spécifiques à l'acheteur reconnus par la loi et il est possible que ce dernier en possède d'autres selon sa localité. Certaines juridictions ne permettent pas l'exclusion ni la limitation de dommages consécutifs ou accessoires ni la limitation en temps d'une garantie et ces limitations peuvent ne pas être applicables à tous.

Blue Rhino ne permet en aucun cas à une personne ou à une société de s'attribuer les responsabilités et les obligations liées à la vente, l'installation, l'utilisation, la dépose ou le remplacement de cet article, et aucune de ces représentations n'engage la responsabilité de Blue Rhino.

Blue Rhino Global Sourcing, Inc.
Winston-Salem, North Carolina 27105, États-Unis
(800)-762-1142

